

ST0010

STAYS & HINGES

Material

Steel, zinc plated.

table. Ideal for screw or weld-on mounting.

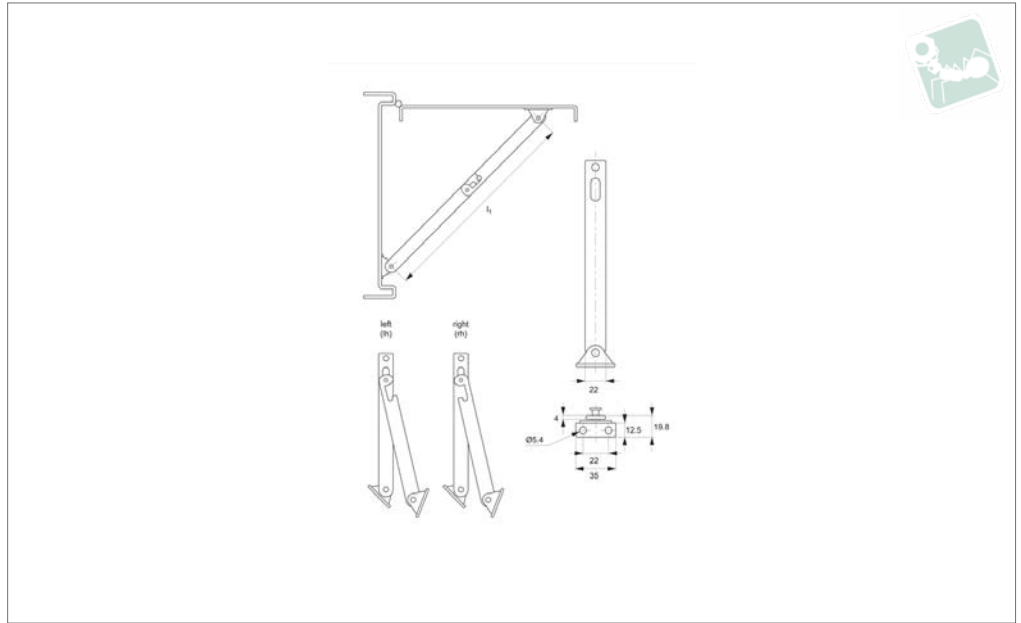
Technical Notes

Left or right hand specific, please refer to

Order No.	Hand	l ₁
ST0010.M0008	Right	202
ST0010.M0006	Right	135
ST0010.M0010	Right	292
ST0010.M0106	Left	135
ST0010.M0108	Left	202
ST0010.M0110	Left	292



ST0012



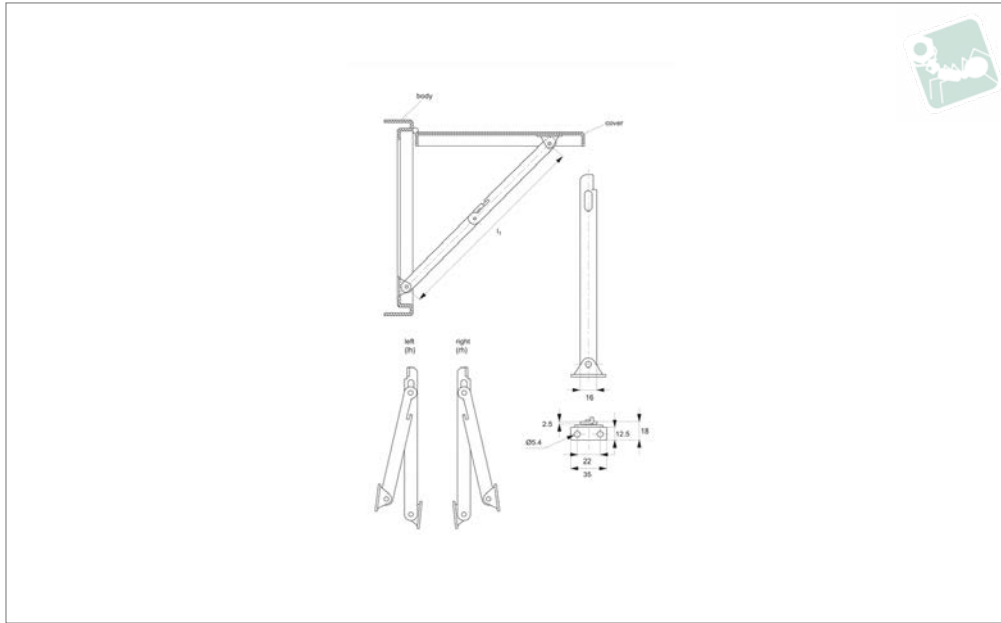
Material

Steel, zinc plated.

Technical Notes

Right or left handed, please refer to table.
Ideal for screw or weld-on mounting.

Order No.	Hand	l_1
ST0012.M0006	Right	135
ST0012.M0106	Left	135
ST0012.M0008	Right	202
ST0012.M0108	Left	202
ST0012.M0010	Right	292
ST0012.M0110	Left	292



ST0014

STAYS & HINGES

Material

Stainless steel, AISI 304.

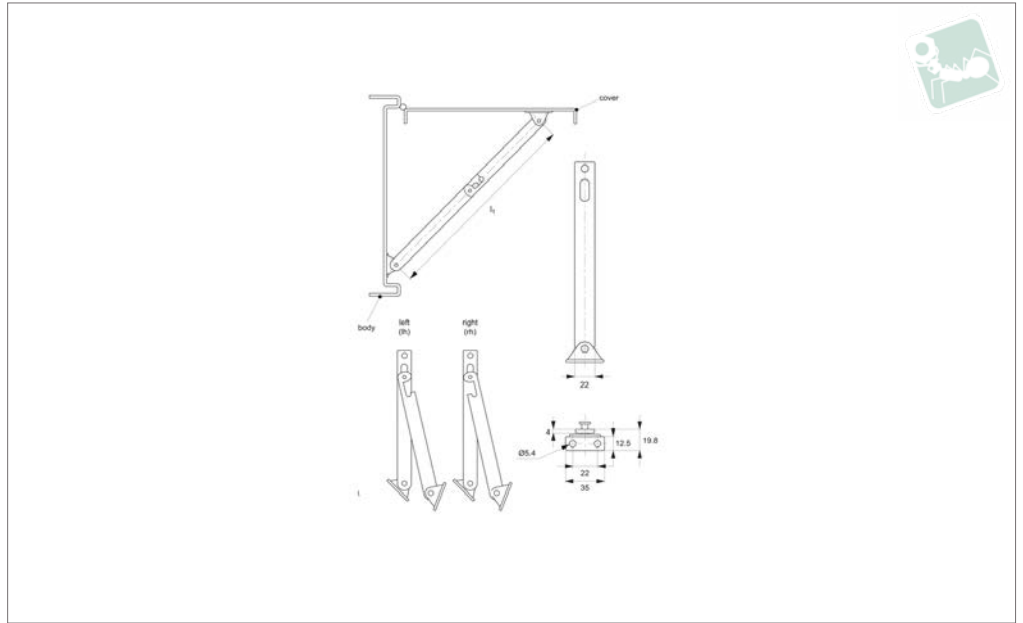
Technical Notes

Right or left handed, please refer to table.
Ideal for screw or weld-on mounting.

Order No.	Hand	l_1
ST0014.M0006	Right	135
ST0014.M0008	Right	202
ST0014.M0010	Right	292
ST0014.M0108	Left	202
ST0014.M0106	Left	135
ST0014.M0110	Left	292



ST0016



Material

Stainless steel, AISI 304.

Technical Notes

Right or left handed, please refer to table.
Ideal for screw or weld-on mounting.

Order No.	Hand	l ₁
ST0016.M0006	Right	135
ST0016.M0008	Right	202
ST0016.M0010	Right	292
ST0016.M0106	Left	135
ST0016.M0108	Left	202
ST0016.M0110	Left	292

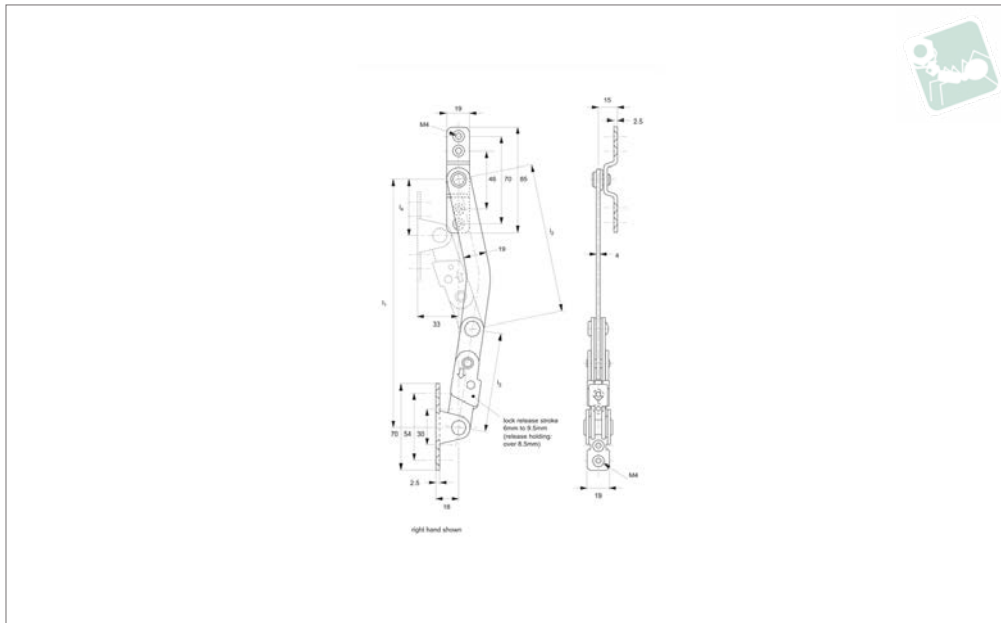


Door Stays

stainless steel - 100° opening

Stays & Hinges

STAYS & HINGES



ST0500

Material

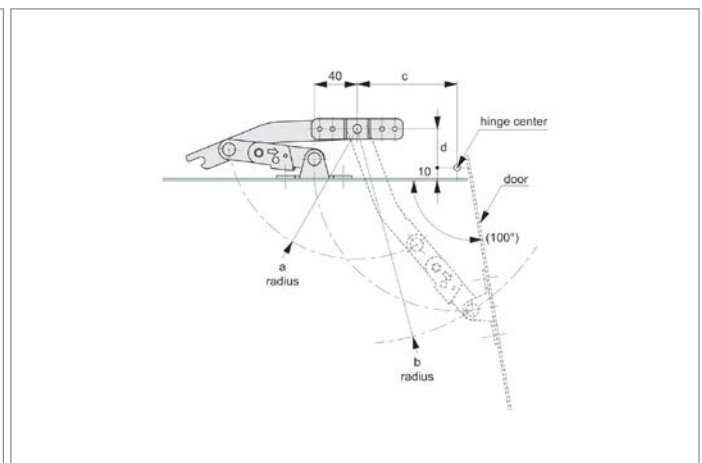
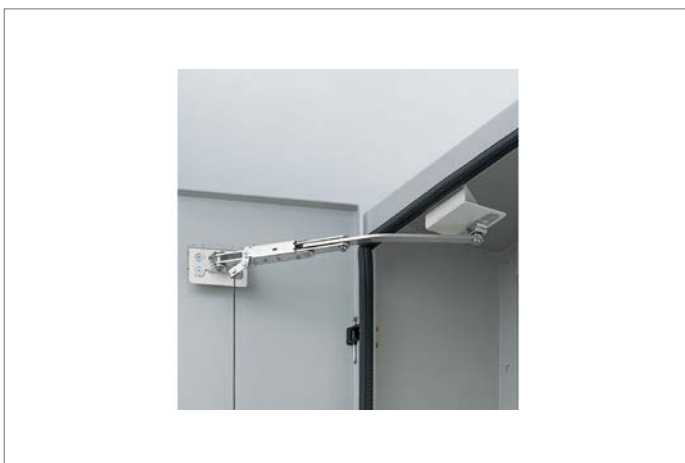
Stainless steel, AISI 304, polished.

Technical Notes

Mechanically locks door at fully open posi-

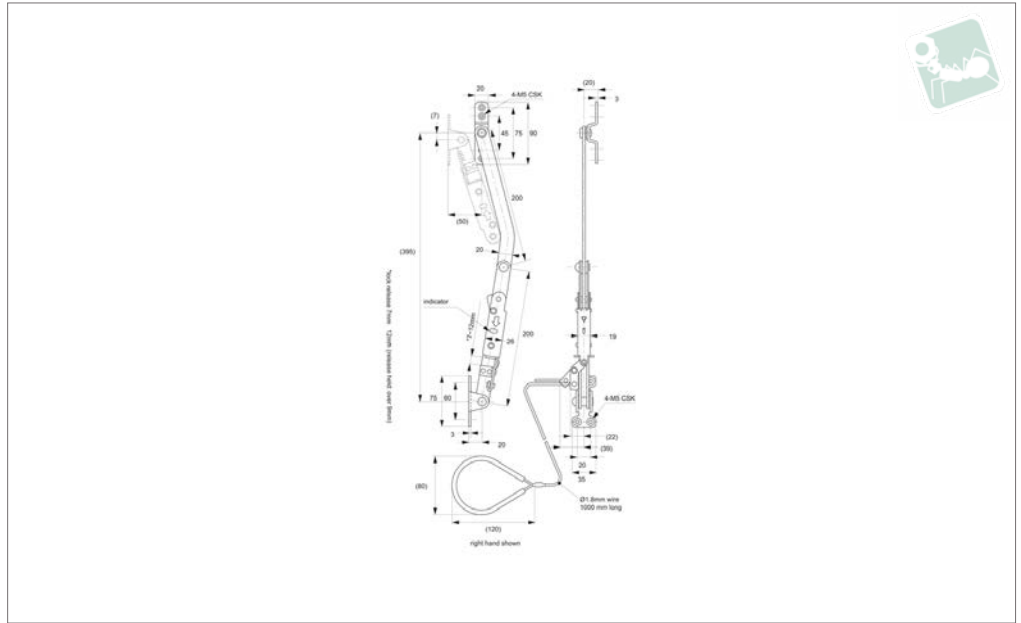
tion. Slide the locking lever to release stay. Lever will remain in unlocked position until the door is returned to fully open position.

Order No.	Type	l_1	a	b	c	d	l_2	l_3	l_4	Weight g
ST0500.M0110	Left	200	121	200	93	36	121	80	45	290
ST0500.M0010	Right	200	121	200	93	36	121	80	45	290
ST0500.M0120	Left	280	161	280	145	40	161	120	44	340
ST0500.M0020	Right	280	161	280	145	40	161	120	44	340





ST0510



Material
All parts from stainless steel, AISI 304.

Technical Notes
Suitable for heavy duty horizontal door applications. Right and left versions

available, with or without lock release wire.

Tips
Locks automatically in open position, can be released via lock release or optional

release wire.
Easy to install.

Order No.	Type	Finish	Comp. force kg max.	Tensile force kg max.
ST0510.M0010	Right	With Release Wire	60	150
ST0510.M0020	Right	Without Release Wire	60	150
ST0510.M0110	Left	With Release Wire	60	150
ST0510.M0120	Left	Without Release Wire	60	150