

## LP1300

TURNBUCKLES

### Material

Steel (1.0037), zinc-plated.  
Hot dip galvanized, available on request providing increased protection against corrosion. Please add -FZ for hot dip galvanized, e.g. LP1300.006-FZ.

### Technical Notes

To DIN 1478.

### Tips

Turnbuckles consist of a metal frame with right hand thread one end and left hand thread the other end. Used for tensioning by rotating turnbuckle body without twisting attached rope or cable.

**Only suitable for use in tension.**

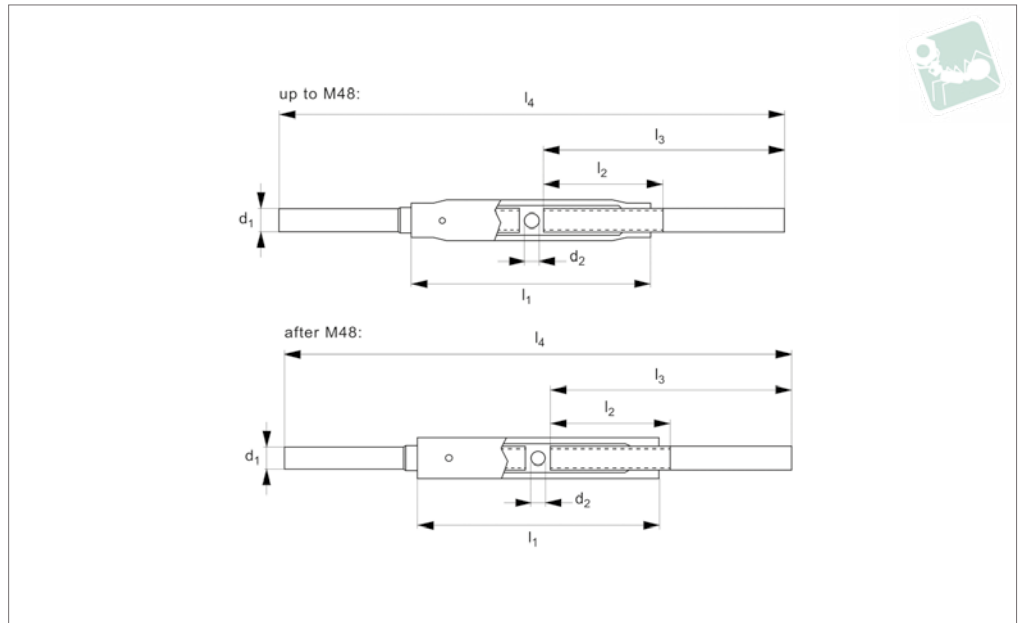
### Important Notes

**Turnbuckles are not to be used for lifting.**

Order No.	d <sub>1</sub>	l <sub>1</sub>	d <sub>2</sub>	d <sub>3</sub> min.	d <sub>3</sub> max.	h <sub>1</sub>	l <sub>2</sub>	Adjustment	Weight kg
LP1300.006	M 6	110	17.2	5.7	6.3	2.9	7.5	90	0.13
LP1300.008	M 8	110	17.2	7.5	8.5	3.6	10	85	0.13
LP1300.010	M10	125	21.3	7.5	8.5	4.0	12	95	0.18
LP1300.012	M12	125	25.0	9.5	10.5	4.0	15	90	0.25
LP1300.016	M16	170	30.0	9.5	10.5	4.5	20	120	0.45
LP1300.020	M20	200	33.7	11.5	12.5	5.0	24	140	0.56
LP1300.024	M24	255	42.4	11.5	12.5	5.6	29	180	1.08
LP1300.030	M30	255	51.0	15.5	16.5	6.3	36	160	1.61
LP1300.036	M36	295	63.5	15.5	16.5	8.0	43	180	2.35
LP1300.042	M42	330	70.0	19.5	20.5	8.8	51	200	4.30
LP1300.048	M48	355	82.5	19.5	20.5	10.0	58	210	5.50
LP1300.056	M56	355	90.0	24.5	25.5	15.0	68	190	9.60
LP1300.064	M64	425	100	24.5	25.5	16	77	240	14.00
LP1300.072	M72x6	425	110	29.5	30.5	17	87	210	17.00
LP1300.080	M80x6	440	120	29.5	30.5	18	96	210	21.00



## LP1304



### Material

Steel (1.0037 up to M48 then 1.0052), zinc-plated.  
Hot dip galvanized, available on request providing increased protection against corrosion. Please add -FZ for hot dip galvanized, e.g. LP1304.006-FZ.

### Technical Notes

To DIN 1478.

### Tips

Turnbuckles consist of a metal frame with right hand thread one end and left hand thread the other end. Used for tensioning

by rotating turnbuckle body without twisting attached rope or cable.

### Important Notes

**Turnbuckles are not to be used for lifting.**  
**Only suitable for use in tension.**

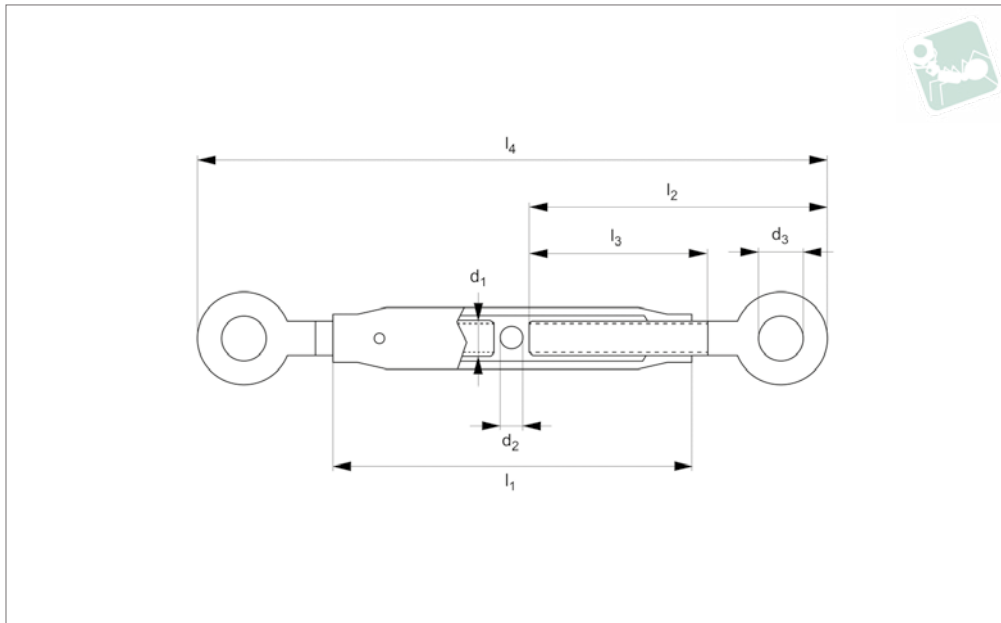
Order No.	$d_1$	$l_1$	$d_2$	$l_2$	$l_3$	$l_4$ min.	$l_4$ max.	Weight kg
LP1304.006	M 6	110	6	60	120	246	336	0.17
LP1304.008	M 8	110	8	65	120	248	333	0.20
LP1304.010	M10	125	8	75	150	309	404	0.32
LP1304.012	M12	125	10	75	150	311	401	0.45
LP1304.016	M16	170	10	100	200	410	530	0.97
LP1304.020	M20	200	12	120	220	452	592	1.48
LP1304.024	M24	255	12	150	260	533	713	2.62
LP1304.030	M30	255	16	160	260	537	697	4.01
LP1304.036	M36	295	16	180	300	617	797	6.35
LP1304.042	M42	330	20	200	350	720	920	10.50
LP1304.048	M48	355	20	220	380	781	991	14.30
LP1304.056	M56	355	25	230	380	785	975	21.60
LP1304.064	M64	425	25	300	425	875	1015	32.40
LP1304.072	M72	425	30	270	400	831	1041	42.00
LP1304.080	M80	440	30	270	400	830	1040	51.00



# Eye End Pipe Body Turnbuckles

steel

## Turnbuckles



**LP1308**

TURNBUCKLES

### Material

Steel (1.0037), zinc-plated.  
Hot dip galvanized, available on request providing increased protection against corrosion. Please add -FZ for hot dip galvanized, e.g. LP1304.006-FZ.

### Tips

Turnbuckles consist of a metal frame with right hand thread one end and left hand thread the other end. Used for tensioning by rotating turnbuckle body without twisting attached rope or cable.

**Only suitable for use in tension.**

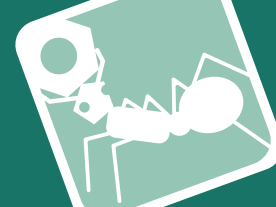
### Technical Notes

To DIN 1478.

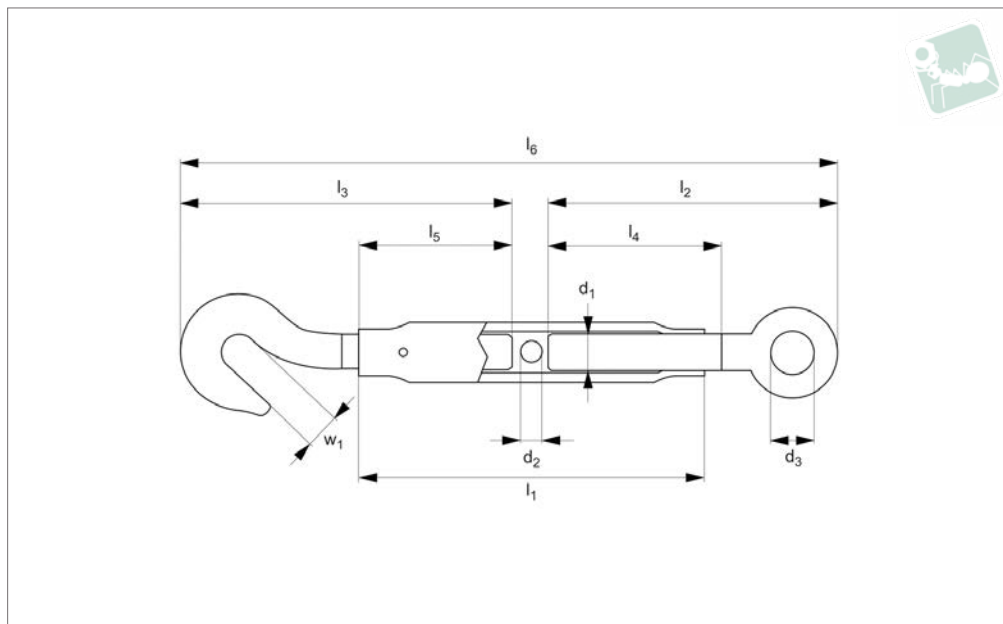
### Important Notes

**Turnbuckles are not to be used for lifting.**

Order No.	$d_1$	$l_1$	$d_2$	$d_3$	$l_2$	$l_3$	$l_4$ min.	$l_4$ max	Weight kg
LP1308.006	M 6	110	6	10	74	50	154	244	0.16
LP1308.008	M 8	110	8	11	80	52	168	253	0.18
LP1308.010	M10	125	8	15	95	59	199	294	0.28
LP1308.012	M12	125	10	17	107	66	225	315	0.42
LP1308.016	M16	170	10	22	146	85	302	422	0.91
LP1308.020	M20	200	12	24	170	100	352	492	1.36
LP1308.024	M24	255	12	33	213	134	437	619	2.60
LP1308.030	M30	255	16	39	255	150	527	687	3.75
LP1308.036	M36	295	16	37	260	150	537	717	6.35
LP1308.042	M42	330	20	48	285	165	590	790	10.50
LP1308.048	M48	355	20	58	335	185	691	901	15.50



## LP1312



### Material

Steel (1.0037 up to M48 then 1.0052), zinc-plated.

Hot dip galvanized body, available on request providing increased protection against corrosion. Please add -FZ for hot dip galvanized, e.g. LP1304.006-FZ.

### Technical Notes

To DIN 1478.

### Tips

Turnbuckles consist of a metal frame with right hand thread one end and left hand thread the other end. Used for tensioning

by rotating turnbuckle body without twisting attached rope or cable.

### Important Notes

**Turnbuckles are not to be used for lifting. Only suitable for use in tension.**

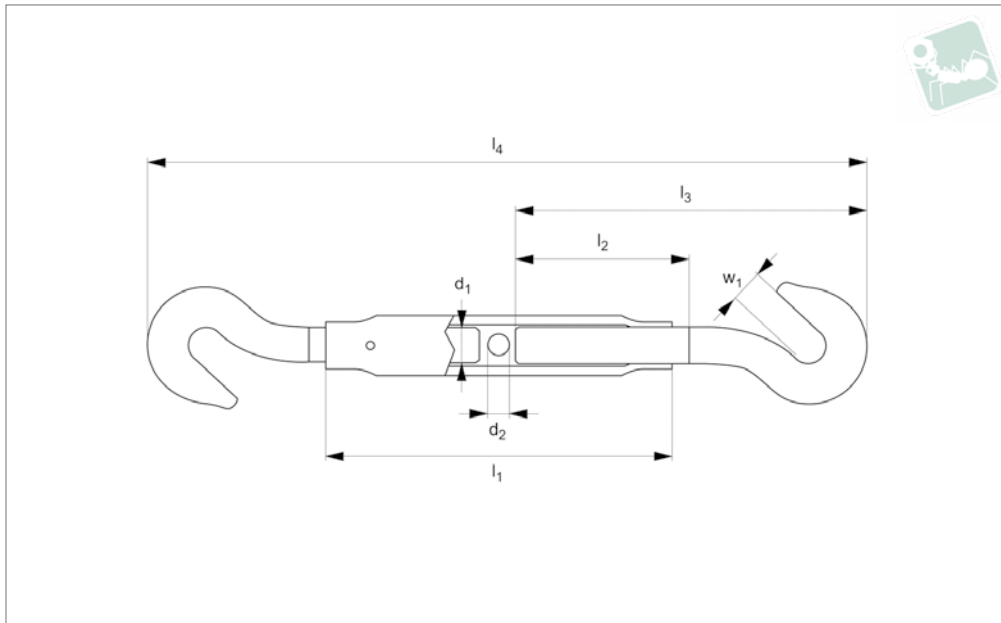
Order No.	d <sub>1</sub>	l <sub>1</sub>	d <sub>2</sub>	d <sub>3</sub>	l <sub>2</sub>	l <sub>3</sub>	l <sub>4</sub>	l <sub>5</sub>	l <sub>6</sub> min.	l <sub>6</sub> max.	w <sub>1</sub>	Weight kg
LP1312.006	M 6	110	6	10	74	77.0	50	50	157	247	9.5	0.16
LP1312.008	M 8	110	8	11	80	98.0	52	60	186	271	11.0	0.19
LP1312.010	M10	125	8	15	95	116.5	59	73	220	315	14.0	0.29
LP1312.012	M12	125	10	17	107	146.0	66	90	264	354	18.0	0.45
LP1312.016	M16	170	10	22	146	165.0	85	100	321	441	19.0	0.96
LP1312.020	M20	200	12	24	170	180.0	100	105	362	502	21.0	1.38
LP1312.024	M24	255	12	33	213	225.0	134	135	450	630	29.0	2.73
LP1312.030	M30	255	16	39	255	255.0	150	140	527	687	31.0	3.92
LP1312.036	M36	295	16	37	260	300.0	150	170	577	757	35.0	6.60



# Hook End Pipe Body Turnbuckles

steel

## Turnbuckles



**LP1316**

TURNBUCKLES

### Material

Steel (1.0037 up to M48 then 1.0052), zinc-plated.

Hot dip galvanized body, available on request providing increased protection against corrosion. Please add -FZ for hot dip galvanized, e.g. LP1304.006-FZ.

### Technical Notes

To DIN 1478.

### Tips

Turnbuckles consist of a metal frame with right hand thread one end and left hand thread the other end. Used for tensioning

by rotating turnbuckle body without twisting attached rope or cable.

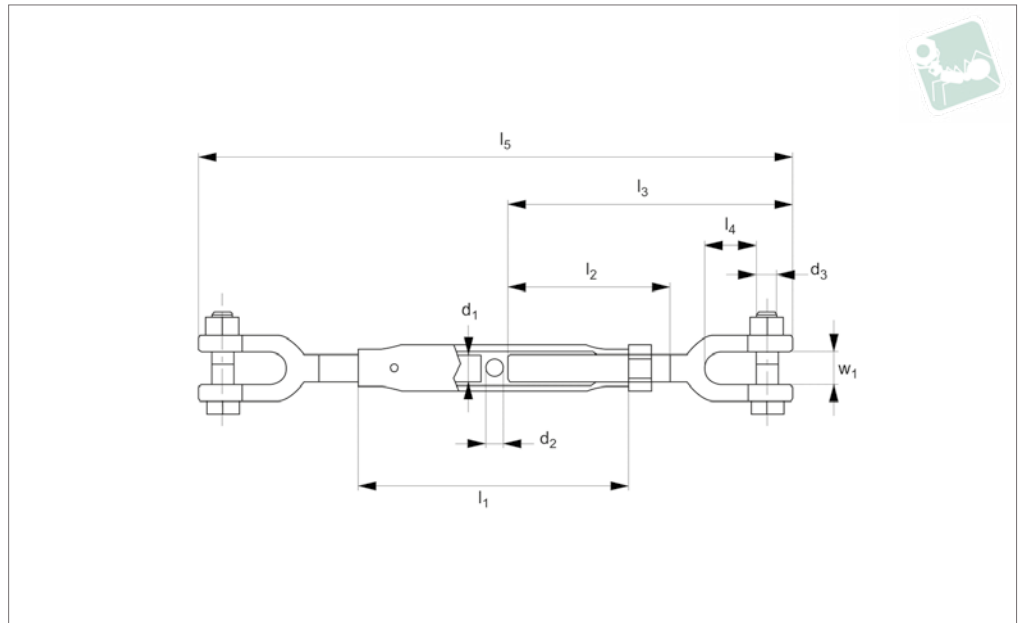
### Important Notes

**Turnbuckles are not to be used for lifting. Only suitable for use in tension.**

Order No.	d <sub>1</sub>	l <sub>1</sub>	d <sub>2</sub>	l <sub>2</sub>	l <sub>3</sub>	l <sub>4</sub> min.	l <sub>4</sub> max.	w <sub>1</sub>	Weight kg
LP1316.006	M 6	110	6	50	77.0	160	250	9.5	0.16
LP1316.008	M 8	110	8	60	98.0	204	289	11.0	0.20
LP1316.010	M10	125	8	73	116.5	241	336	14.0	0.30
LP1316.012	M12	125	10	90	146.0	303	393	18.0	0.47
LP1316.016	M16	170	10	100	165.0	340	460	19.0	1.01
LP1316.020	M20	200	12	105	180.0	372	512	21.0	1.40
LP1316.024	M24	255	12	135	225.0	463	543	29.0	2.86
LP1316.030	M30	255	16	140	225.0	527	687	31.0	4.09
LP1316.036	M36	295	16	170	300.0	617	697	35.0	6.85



## LP1320



### Material

Steel body(1.0037) Jaws (1.0503), zinc-plated.

Hot dip galvanized body, available on request providing increased protection against corrosion. Please add -FZ for hot dip galvanized, e.g. LP1304.006-FZ.

### Technical Notes

To DIN 1478.

### Tips

Turnbuckles consist of a metal frame with right hand thread one end and left hand thread the other end. Used for tensioning

by rotating turnbuckle body without twisting attached rope or cable.

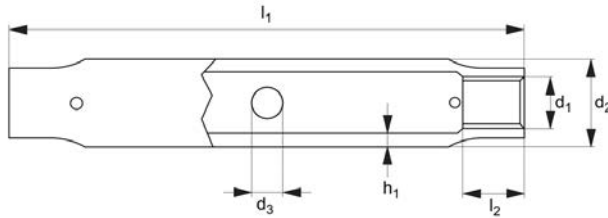
### Important Notes

**Turnbuckles are not to be used for lifting. Only suitable for use in tension.**

Order No.	d <sub>1</sub>	l <sub>1</sub>	d <sub>2</sub>	d <sub>3</sub>	l <sub>2</sub>	l <sub>3</sub>	l <sub>4</sub>	l <sub>5</sub> min.	l <sub>5</sub> max.	w <sub>1</sub>	Weight kg
LP1320.008	M 8	110	8.5	8.5	68	125	28.75	258	343	9.0	0.30
LP1320.010	M10	125	8.5	8.5	82	139	29.25	287	382	10.7	0.43
LP1320.012	M12	125	10.5	10.5	90	160	44.75	331	421	15.5	0.69
LP1320.016	M16	170	10.5	12.5	102	186	45.25	382	502	20.0	1.31
LP1320.020	M20	200	12.5	17.0	115	205	59.5	422	562	23.5	2.02
LP1320.024	M24	255	12.5	20.5	125	240	62.75	493	673	26.0	3.9
LP1320.030	M30	255	16.5	25.0	150	290	89.5	613	773	34.0	7.01



## LP1302



### Material

Stainless steel (A4)

### Technical Notes

To DIN 1478.

### Tips

Turnbuckles consist of a metal frame with

right hand thread one end and left hand thread the other end. Used for tensioning by rotating turnbuckle body without twisting attached rope or cable.

**Only suitable for use in tension.**

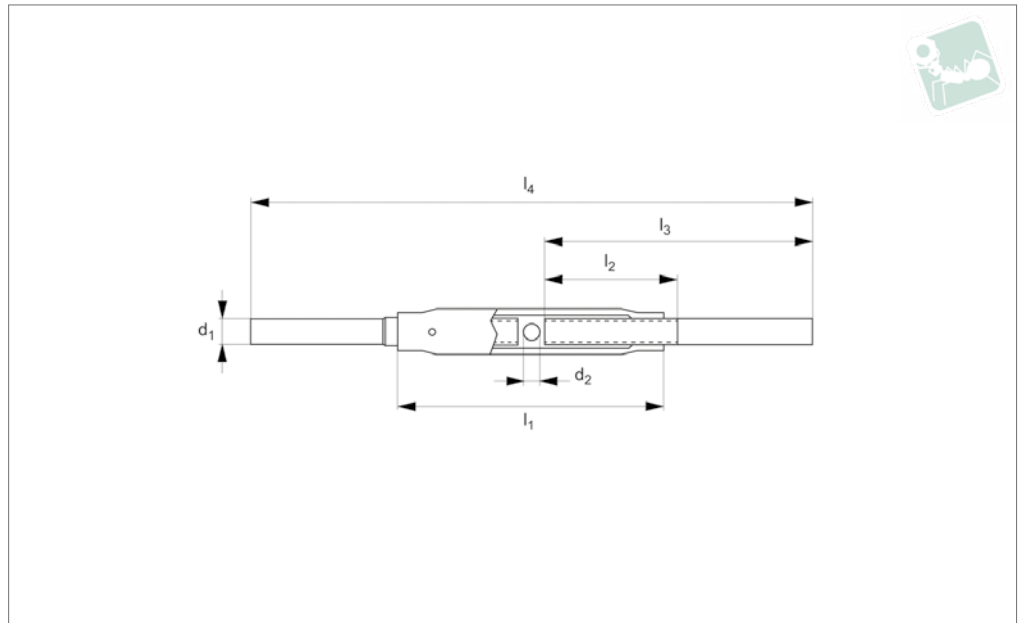
### Important Notes

**Turnbuckles are not to be used for lifting.**

Order No.	d <sub>1</sub>	d <sub>2</sub>	d <sub>3</sub> min.	d <sub>3</sub> max.	h <sub>1</sub>	l <sub>1</sub>	l <sub>2</sub>	Adjustment	Weight kg
LP1302.006	M 6	17.2	5.7	6.3	2.9	110	7.5	90	0.13
LP1302.008	M 8	17.2	7.5	8.5	3.6	110	10	85	0.13
LP1302.010	M10	21.3	7.5	8.5	4.0	125	12	95	0.18
LP1302.012	M12	25.0	9.5	10.5	4.0	125	15	90	0.25
LP1302.016	M16	30.0	9.5	10.5	4.5	170	20	120	0.45
LP1302.020	M20	33.7	11.5	12.5	5.0	200	24	140	0.56
LP1302.024	M24	42.4	11.5	12.5	5.6	255	29	180	1.08
LP1302.030	M30	51.0	15.5	16.5	6.3	255	36	160	1.61
LP1302.036	M36	63.5	15.5	16.5	8.0	295	43	180	2.35



### LP1306



**Material**  
Stainless steel (A4)

**Technical Notes**  
To DIN 1478.

**Tips**  
Turnbuckles consist of a metal frame with

right hand thread one end and left hand thread the other end. Used for tensioning by rotating turnbuckle body without twisting attached rope or cable.

**Only suitable for use in tension.**

**Important Notes**  
**Turnbuckles are not to be used for lifting.**

Order No.	d <sub>1</sub>	d <sub>2</sub>	l <sub>1</sub>	l <sub>2</sub>	l <sub>3</sub>	l <sub>4</sub> min.	l <sub>4</sub> max.	Weight kg
LP1306.006	M 6	6	110	60	120	246	336	0.17
LP1306.008	M 8	8	110	65	120	248	333	0.20
LP1306.010	M10	8	125	75	150	309	404	0.32
LP1306.012	M12	10	125	75	150	311	401	0.45
LP1306.016	M16	10	170	100	200	410	530	0.97
LP1306.020	M20	12	200	120	220	452	592	1.48
LP1306.024	M24	12	255	150	260	533	713	2.62
LP1306.030	M30	16	255	160	260	537	697	4.01
LP1306.036	M36	16	295	180	300	617	797	6.35

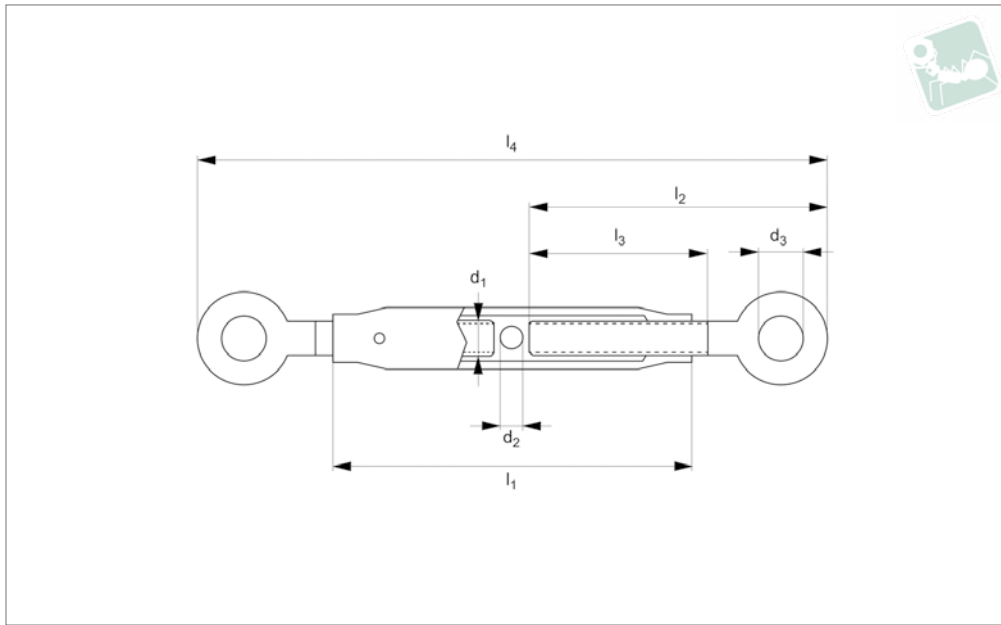




# Eye End Pipe Body Turnbuckles

stainless steel

## Turnbuckles



**LP1310**

TURNBUCKLES

### Material

Stainless steel (A4)

### Technical Notes

To DIN 1478.

### Tips

Turnbuckles consist of a metal frame with

right hand thread one end and left hand thread the other end. Used for tensioning by rotating turnbuckle body without twisting attached rope or cable.

**Only suitable for use in tension.**

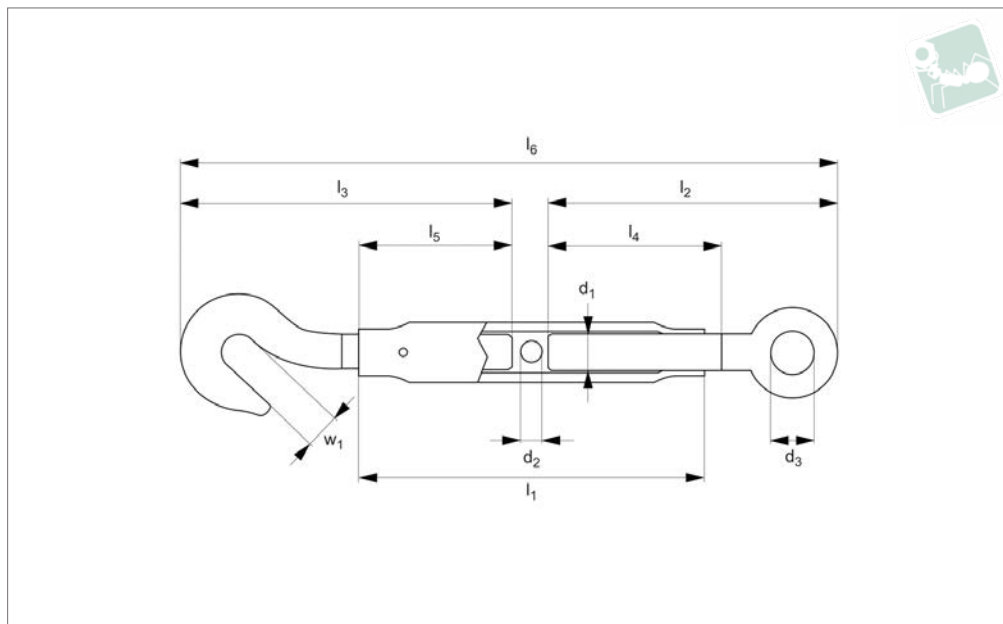
### Important Notes

**Turnbuckles are not to be used for lifting.**

Order No.	$d_1$	$d_2$	$d_3$	$l_1$	$l_2$	$l_3$	$l_4$ min.	$l_4$ max.	Weight kg
LP1310.006	M 6	6	10	110	74	50	154	244	0.16
LP1310.008	M 8	8	11	110	80	52	168	253	0.18
LP1310.010	M10	8	15	125	95	59	199	294	0.28
LP1310.012	M12	10	17	125	107	66	225	315	0.42
LP1310.016	M16	10	22	170	146	85	302	422	0.91
LP1310.020	M20	12	24	200	170	100	352	492	1.36



### LP1314



**Material**  
Stainless steel (A4)

**Technical Notes**  
To DIN 1478.

**Tips**  
Turnbuckles consist of a metal frame with

right hand thread one end and left hand thread the other end. Used for tensioning by rotating turnbuckle body without twisting attached rope or cable.

**Only suitable for use in tension.**

**Important Notes**  
**Turnbuckles are not to be used for lifting.**

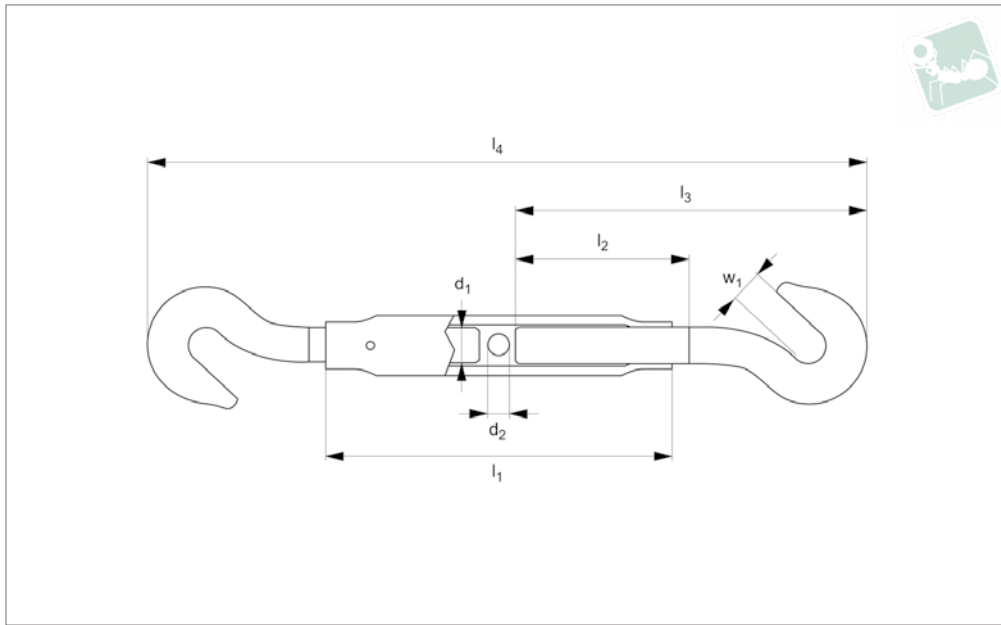
Order No.	d <sub>1</sub>	d <sub>2</sub>	d <sub>3</sub>	l <sub>1</sub>	l <sub>2</sub>	l <sub>3</sub>	l <sub>4</sub>	l <sub>5</sub>	l <sub>6</sub> min.	l <sub>6</sub> max.	w <sub>1</sub>	Weight kg
LP1314.006	M 6	6	10	110	74	77.0	50	50	157	247	9.5	0.16
LP1314.008	M 8	8	11	110	80	98.0	52	60	186	271	11.0	0.19
LP1314.010	M10	8	15	125	95	116.5	59	73	220	315	14.0	0.29
LP1314.012	M12	10	17	125	107	146.0	66	90	264	354	18.0	0.45
LP1314.016	M16	10	22	170	146	165.0	85	100	321	441	19.0	0.96



# Hook End Pipe Body Turnbuckles

stainless steel

## Turnbuckles



**LP1318**

TURNBUCKLES

**Material**  
Stainless steel (A4)

**Technical Notes**  
To DIN 1478.

**Tips**  
Turnbuckles consist of a metal frame with

right hand thread one end and left hand thread the other end. Used for tensioning by rotating turnbuckle body without twisting attached rope or cable.

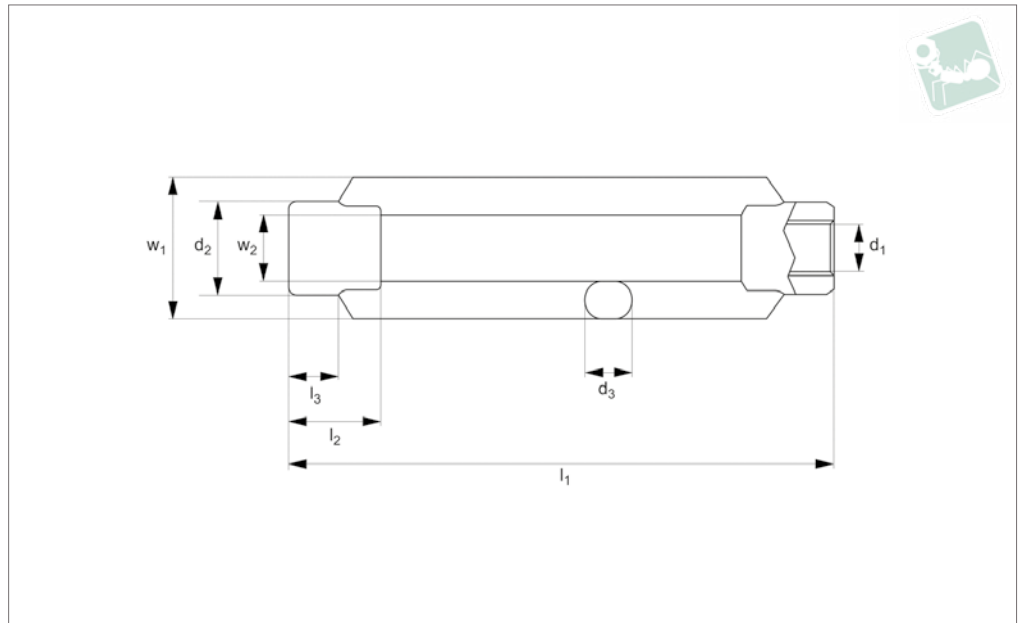
**Important Notes**  
**Turnbuckles are not to be used for lifting.**

**Only suitable for use in tension.**

Order No.	$d_1$	$d_2$	$l_1$	$l_2$	$l_3$	$l_4$ min.	$l_4$ max.	$w_1$	Weight kg
LP1318.006	M 6	6	110	50	77.0	160	250	9.5	0.16
LP1318.008	M 8	8	110	60	98.0	204	289	11.0	0.20
LP1318.010	M10	8	125	73	116.5	241	336	14.0	0.30
LP1318.012	M12	10	125	90	146.0	303	393	18.0	0.47
LP1318.016	M16	10	170	100	165.0	340	460	19.0	1.01



## LP1330



### Material

Steel (1.0037), zinc-plated.  
Hot dip galvanized, available on request providing increased protection against corrosion.

### Technical Notes

To DIN 1480.

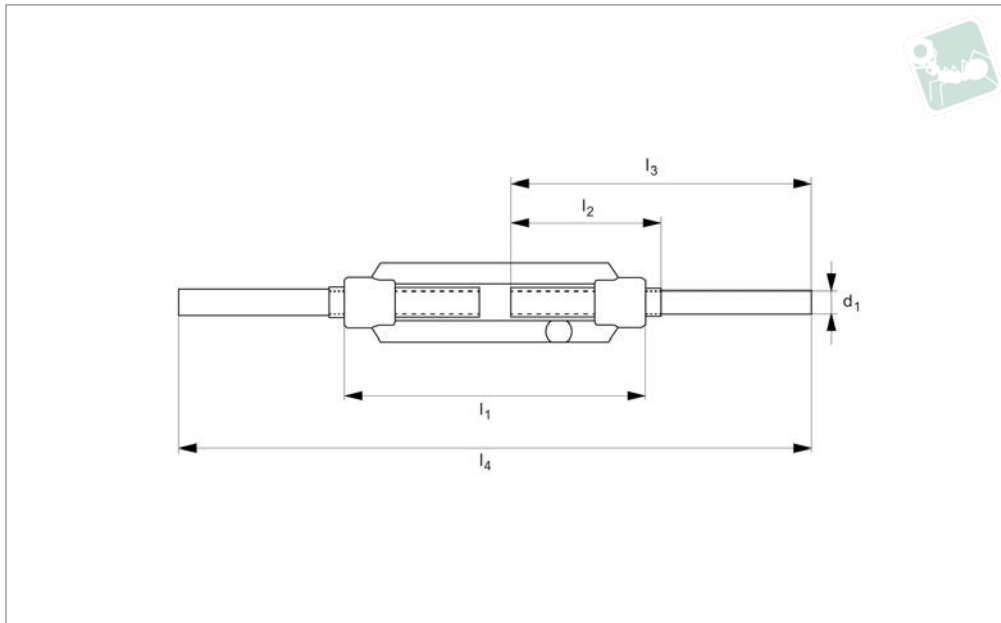
### Tips

Turnbuckles consist of a metal frame with right hand thread one end and left hand thread the other end. Used for tensioning by rotating turnbuckle body without twisting attached rope or cable.

### Important Notes

**Turnbuckles are not to be used for lifting. Only suitable for use in tension.**

Order No.	$d_1$	$l_1$	$l_2$	$l_3$	$d_2$	$d_3$	$w_1$	$w_2$	Adjustment	Weight kg
LP1330.006	M 6	110	12	6	12	6	19	9	80	0.06
LP1330.008	M 8	110	15	8	15	8	23	11	75	0.09
LP1330.010	M10	125	18	9	18	9	30	14	85	0.15
LP1330.012	M12	125	21	11	21	11	34	16	80	0.20
LP1330.016	M16	170	27	14	27	14	42	20	110	0.44
LP1330.020	M20	200	34	17	34	17	52	24	130	0.44
LP1330.024	M24	255	39	20	39	20	60	28	170	1.20
LP1330.030	M30	255	45	23	45	23	74	34	160	1.80
LP1330.036	M36	295	55	28	55	28	86	40	180	3.20
LP1330.042	M42	330	63	32	63	32	104	50	200	4.50
LP1330.048	M48	355	78	39	80	40	135	65	195	9.10
LP1330.056	M56	355	78	39	80	40	135	65	195	8.00



## LP1334

TURNBUCKLES

### Material

Steel (1.0037), zinc-plated.  
Hot dip galvanized body, available on request providing increased protection against corrosion. Please add -FZ for hot dip galvanized, e.g. LP1304.006-FZ.

### Technical Notes

To DIN 1480 stub end.

### Tips

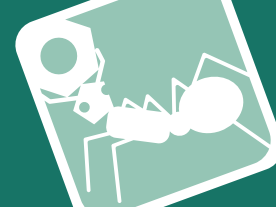
Turnbuckles consist of a metal frame with right hand thread one end and left hand thread the other end. Used for tensioning by rotating turnbuckle body without twisting attached rope or cable.

**Only suitable for use in tension.**

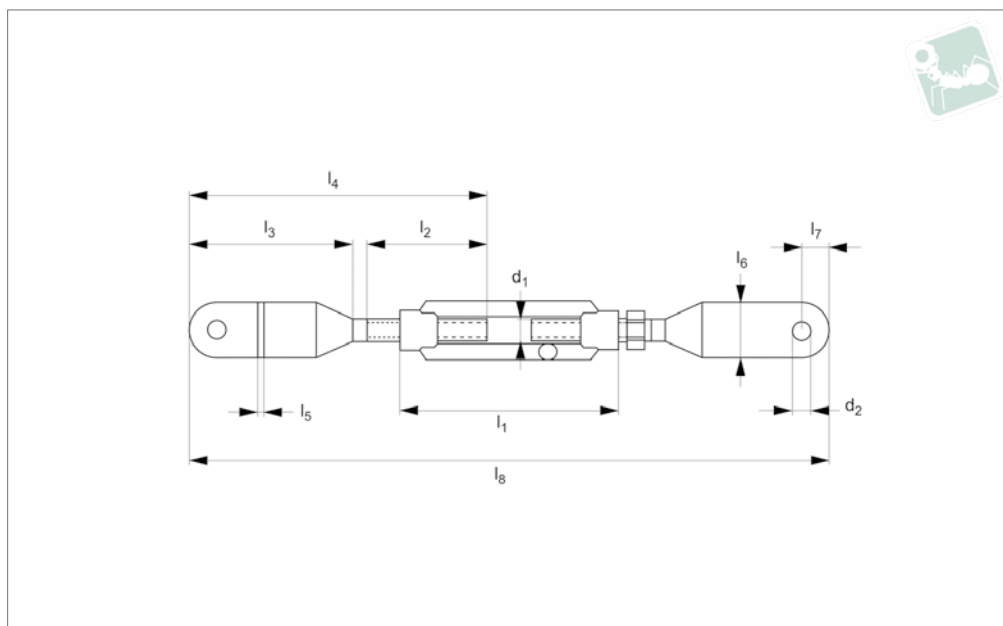
### Important Notes

**Turnbuckles are not to be used for lifting.**

Order No.	d <sub>1</sub>	l <sub>1</sub>	l <sub>2</sub>	l <sub>3</sub>	l <sub>4</sub> min.	l <sub>4</sub> max.	Weight kg
LP1334.006	M 6	110	60	120	240	320	0.10
LP1334.008	M 8	110	65	120	240	315	0.16
LP1334.010	M10	125	75	150	301	386	0.30
LP1334.012	M12	125	75	150	301	381	0.40
LP1334.016	M16	170	100	200	400	510	0.96
LP1334.020	M20	200	120	220	440	570	1.74
LP1334.024	M24	255	150	260	521	691	2.74
LP1334.030	M30	255	160	260	521	681	4.20
LP1334.036	M36	295	180	300	601	781	7.20
LP1334.042	M42	330	200	350	700	900	10.70
LP1334.048	M48	355	220	380	761	956	17.90
LP1334.056	M56	355	230	380	761	956	20.00



**LP1338**



**Material**

Steel (1.0037 up to M48 then 1.0052), zinc-plated.

Hot dip galvanized body, available on request providing increased protection against corrosion. Please add -FZ for hot dip galvanized, e.g. LP1304.006-FZ.

**Technical Notes**

To DIN 1480 plain ends.

**Tips**

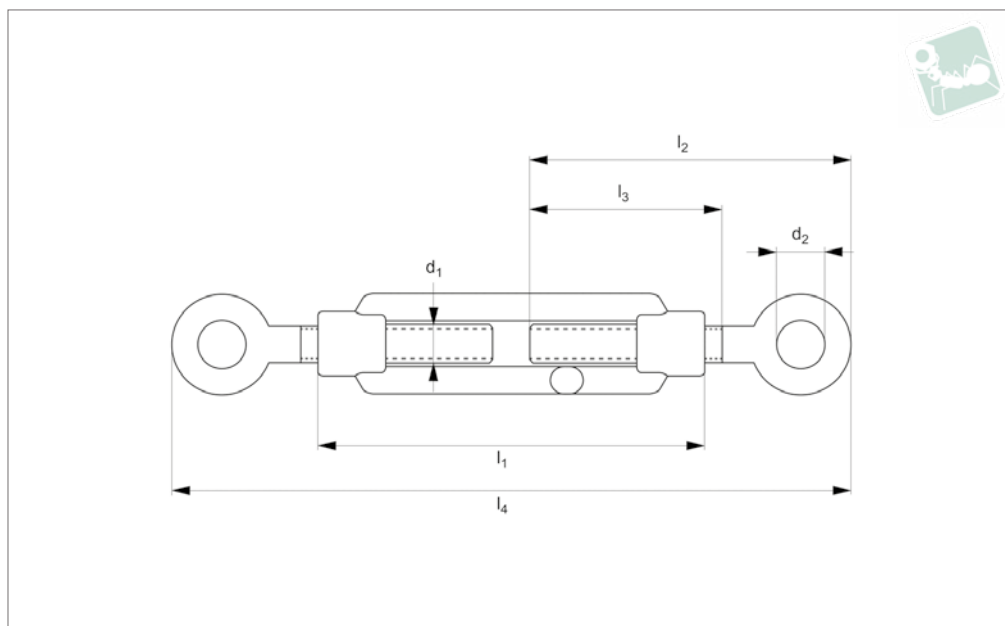
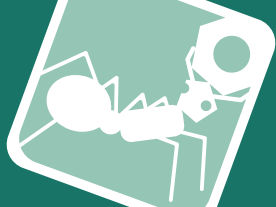
Turnbuckles consist of a metal frame with right hand thread one end and left hand thread the other end. Used for tensioning

by rotating turnbuckle body without twisting attached rope or cable.

**Important Notes**

**Turnbuckles are not to be used for lifting. Only suitable for use in tension.**

Order No.	d <sub>1</sub>	l <sub>1</sub>	l <sub>2</sub>	l <sub>3</sub>	l <sub>4</sub>	d <sub>2</sub>	l <sub>5</sub>	l <sub>6</sub>	l <sub>7</sub>	l <sub>8</sub> min.	l <sub>8</sub> max.	Weight kg
LP1338.008	M 8	110	75	50	125	9.0	4	20	11	250	325	0.19
LP1338.010	M10	110	90	60	150	10.5	4	25	13	300	385	0.30
LP1338.012	M12	125	91	74	165	13.0	5	30	16	331	411	0.48
LP1338.016	M16	125	105	135	240	14.0	8	40	20	481	591	1.14
LP1338.020	M20	200	105	135	240	17.0	9	44	26	480	610	1.84
LP1338.024	M24	255	160	145	305	22.0	10	70	43	611	781	3.10



**LP1340**

TURNBUCKLES

### Material

Steel (1.0037), zinc-plated.  
Hot dip galvanized body, available on request providing increased protection against corrosion. Please add -FZ for hot dip galvanized, e.g. LP1304.006-FZ.

### Technical Notes

To DIN 1480 eye to eye.

### Tips

Turnbuckles consist of a metal frame with right hand thread one end and left hand thread the other end. Used for tensioning by rotating turnbuckle body without twisting attached rope or cable.

**Only suitable for use in tension.**

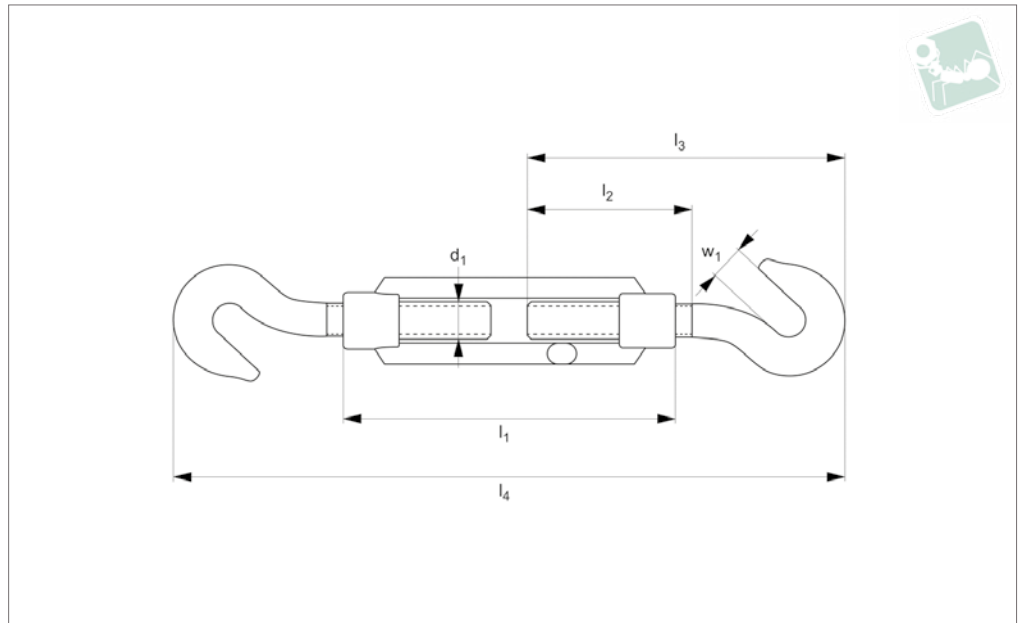
### Important Notes

**Turnbuckles are not to be used for lifting.**

Order No.	d <sub>1</sub>	l <sub>1</sub>	l <sub>2</sub>	l <sub>3</sub>	l <sub>4</sub> min.	l <sub>4</sub> max.	d <sub>2</sub>	Weight kg
LP1340.006	M 6	110	74	50	148	228	10	0.09
LP1340.008	M 8	110	80	52	160	235	11	0.14
LP1340.010	M10	125	95	59	191	276	15	0.25
LP1340.012	M12	125	107	66	215	295	17	0.37
LP1340.016	M16	170	146	85	292	402	22	0.90
LP1340.020	M20	200	170	100	340	470	24	1.62
LP1340.024	M24	255	213	134	427	597	33	2.72
LP1340.030	M30	255	255	150	511	671	39	3.94
LP1340.036	M36	295	260	150	521	701	37	7.20
LP1340.042	M42	330	285	165	570	770	48	10.70
LP1340.048	M48	355	335	185	671	866	58	19.10



## LP1344



### Material

Steel (1.0037), zinc-plated.  
Hot dip galvanized body, available on request providing increased protection against corrosion. Please add -FZ for hot dip galvanized, e.g. LP1304.006-FZ.

### Technical Notes

To DIN 1480 hook to hook.

### Tips

Turnbuckles consist of a metal frame with right hand thread one end and left hand thread the other end. Used for tensioning by rotating turnbuckle body without twisting attached rope or cable.

**Only suitable for use in tension.**

### Important Notes

**Turnbuckles are not to be used for lifting.**

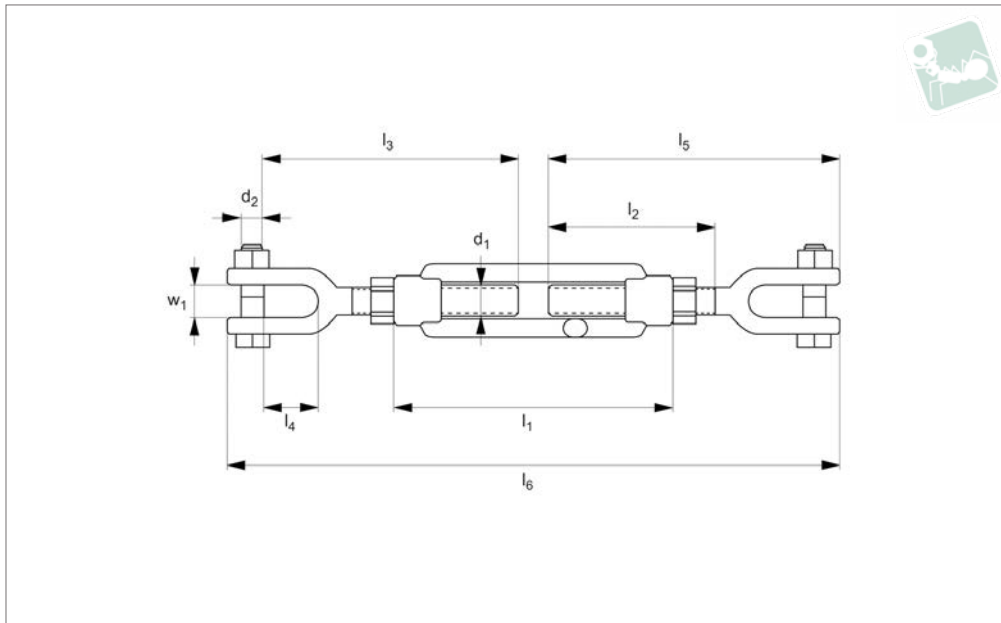
Order No.	d <sub>1</sub>	l <sub>1</sub>	l <sub>2</sub>	l <sub>3</sub>	l <sub>4</sub> min.	l <sub>4</sub> max.	w <sub>1</sub>	Weight kg
LP1344.006	M 6	110	50	77.0	154	234	8.0	0.09
LP1344.008	M 8	110	60	98.0	196	271	10.0	0.16
LP1344.010	M10	125	73	116.5	233	318	12.5	0.27
LP1344.012	M12	125	90	146.0	293	373	16.0	0.42
LP1344.016	M16	170	100	165.0	330	440	16.0	1.00
LP1344.020	M20	200	105	180.0	360	490	18.0	1.66
LP1344.024	M24	255	135	225.0	451	621	30.0	2.98
LP1344.030	M30	255	140	255.0	451	611	30.0	4.28
LP1344.036	M36	295	170	300.0	601	781	32.0	7.70





# Jaw End Turnbuckle steel

## Turnbuckles



### LP1348

TURNBUCKLES

#### Material

Steel body (1.0037), jaws (1.0503), zinc-plated.

Hot dip galvanized body, available on request providing increased protection against corrosion. Please add -FZ for hot dip galvanized, e.g. LP1304.006-FZ.

#### Technical Notes

To DIN 1480 jaw to jaw.

#### Tips

Turnbuckles consist of a metal frame with right hand thread one end and left hand thread the other end. Used for tensioning

by rotating turnbuckle body without twisting attached rope or cable.

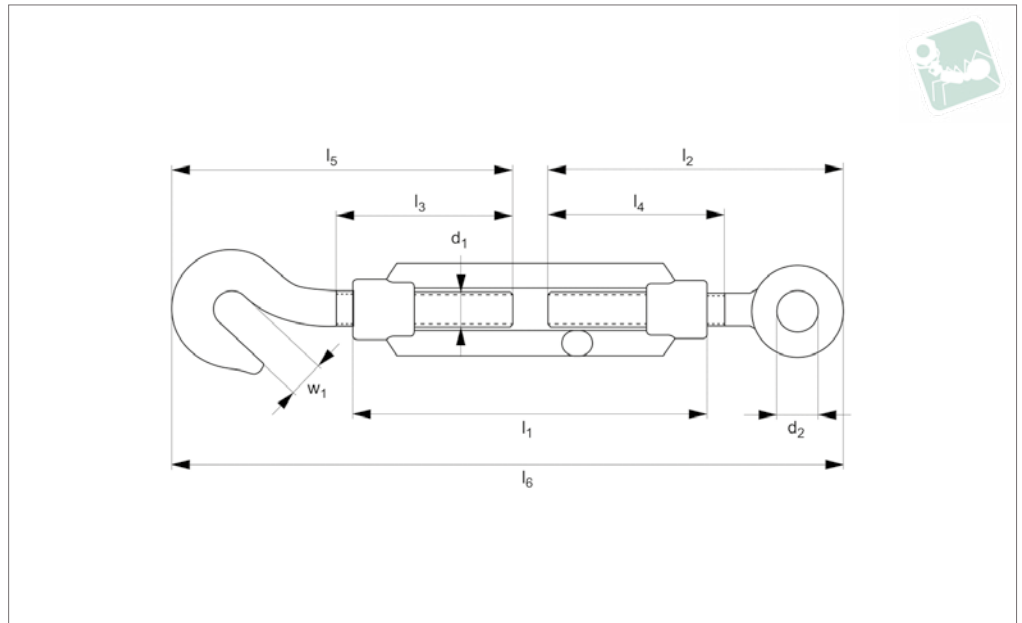
#### Important Notes

**Turnbuckles are not to be used for lifting. Only suitable for use in tension.**

Order No.	d <sub>1</sub>	l <sub>1</sub>	l <sub>2</sub>	l <sub>3</sub>	l <sub>4</sub>	d <sub>2</sub>	l <sub>5</sub>	l <sub>6</sub> min.	l <sub>6</sub> max.	w	Weight kg
LP1348.008	M 8	110	68	116	28.75	8.5	125	250	325	9.0	0.14
LP1348.010	M10	125	82	130	29.25	8.5	139	279	364	10.7	0.26
LP1348.012	M12	125	90	150	44.75	10.5	160	321	401	15.5	0.40
LP1348.016	M16	170	102	172	45.25	12.5	186	372	482	20.0	0.64
LP1348.020	M20	200	115	185	59.50	17.5	205	410	540	23.5	1.30
LP1348.024	M24	255	125	215	62.75	20.5	240	481	651	29.0	2.28
LP1348.030	M30	255	150	255	89.50	25.5	290	581	741	34.0	4.02



## LP1350



### Material

Steel (1.0037), zinc-plated.  
Hot dip galvanized body, available on request providing increased protection against corrosion. Please add -FZ for hot dip galvanized, e.g. LP1304.006-FZ.

### Technical Notes

To DIN 1480 hook & eye.

### Tips

Turnbuckles consist of a metal frame with right hand thread one end and left hand thread the other end. Used for tensioning by rotating turnbuckle body without twisting attached rope or cable.

**Only suitable for use in tension.**

### Important Notes

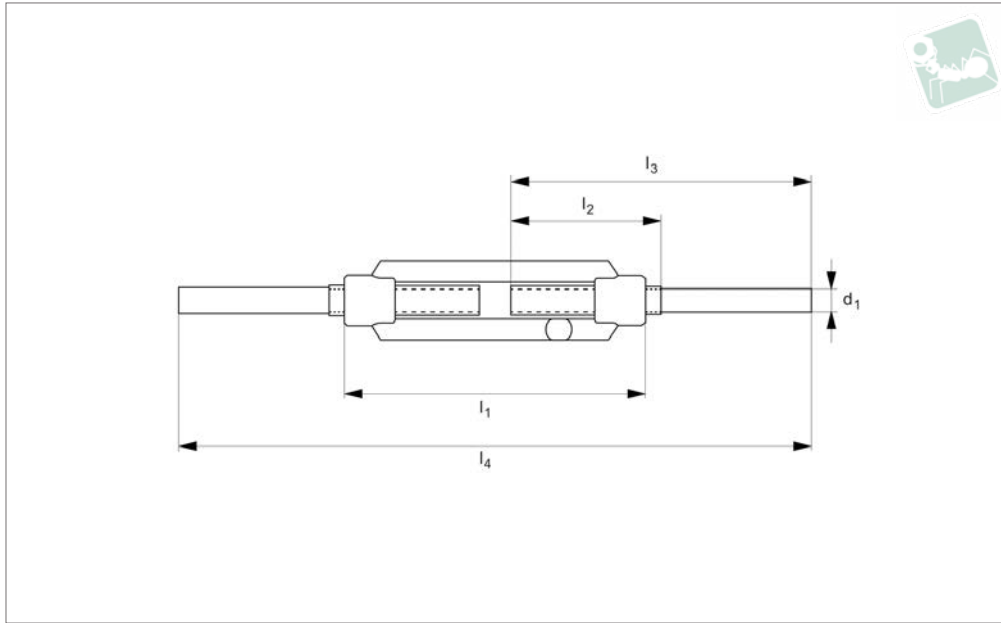
**Turnbuckles are not to be used for lifting.**

Order No.	d <sub>1</sub>	l <sub>1</sub>	l <sub>2</sub>	l <sub>3</sub>	l <sub>4</sub>	d <sub>2</sub>	l <sub>5</sub>	l <sub>6</sub> min.	l <sub>6</sub> max.	w <sub>1</sub>	Weight kg
LP1350.006	M 6	110	74	50	50	10	77.0	151	231	8.0	0.09
LP1350.008	M 8	110	80	60	52	11	98.0	172	253	10.0	0.15
LP1350.010	M10	125	95	73	59	15	116.5	212	297	12.5	0.26
LP1350.012	M12	125	107	90	66	17	146.0	264	344	16.0	0.40
LP1350.016	M16	170	146	100	85	22	165.0	311	421	16.0	0.95
LP1350.020	M20	200	170	105	100	24	180.0	350	480	18.0	1.64
LP1350.024	M24	255	213	135	120	33	225.0	439	609	30.0	2.85
LP1350.030	M30	255	255	140	135	39	255.0	511	671	30.0	4.11
LP1350.036	M36	295	260	170	140	37	300.0	561	741	32.0	7.45

# Stub End Turnbuckles

stainless steel

# Turnbuckles



**LP1336**

TURNBUCKLES

**Material**

Stainless steel (A4).

**Technical Notes**

To DIN 1480 stub end.

**Tips**

Turnbuckles consist of a metal frame with

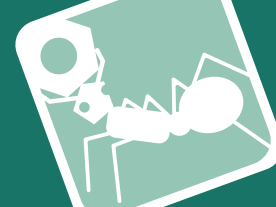
right hand thread one end and left hand thread the other end. Used for tensioning by rotating turnbuckle body without twisting attached rope or cable.

**Only suitable for use in tension.**

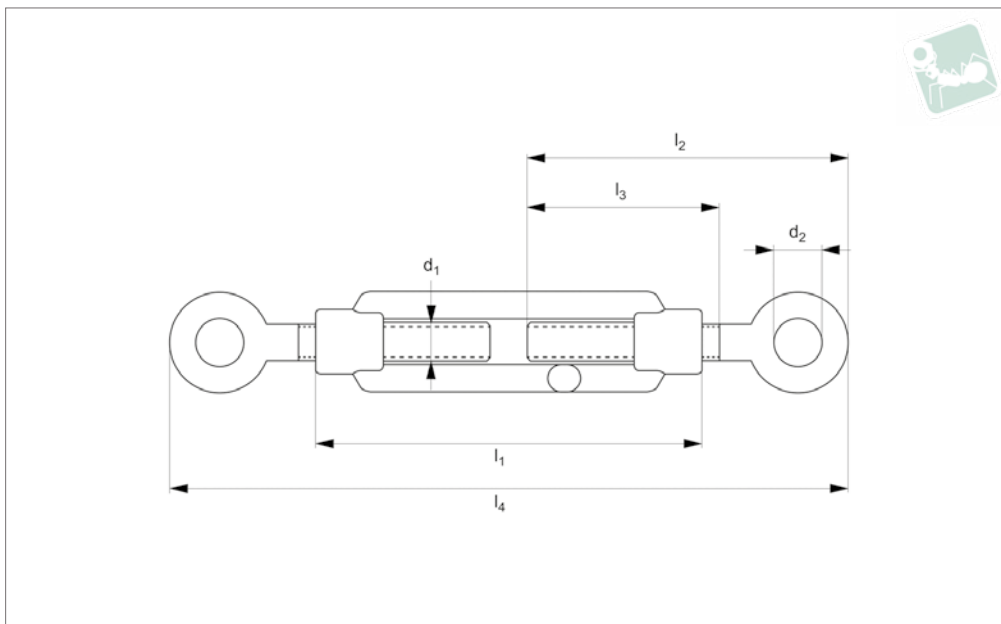
**Important Notes**

**Turnbuckles are not to be used for lifting.**

Order No.	$d_1$	$l_1$	$l_2$	$l_3$	$l_4$ min.	$l_4$ max.	Weight kg
LP1336.006	M 6	110	60	120	240	320	0.10
LP1336.008	M 8	110	65	120	240	315	0.16
LP1336.010	M10	125	75	150	301	386	0.30
LP1336.012	M12	125	75	150	301	381	0.40
LP1336.016	M16	170	100	200	400	510	0.96
LP1336.020	M20	200	120	220	440	570	1.74
LP1336.024	M24	255	150	260	521	691	2.74



### LP1342



**Material**  
Stainless steel (A4).

**Technical Notes**  
To DIN 1480 eye to eye.

**Tips**  
Turnbuckles consist of a metal frame with

right hand thread one end and left hand thread the other end. Used for tensioning by rotating turnbuckle body without twisting attached rope or cable.

**Only suitable for use in tension.**

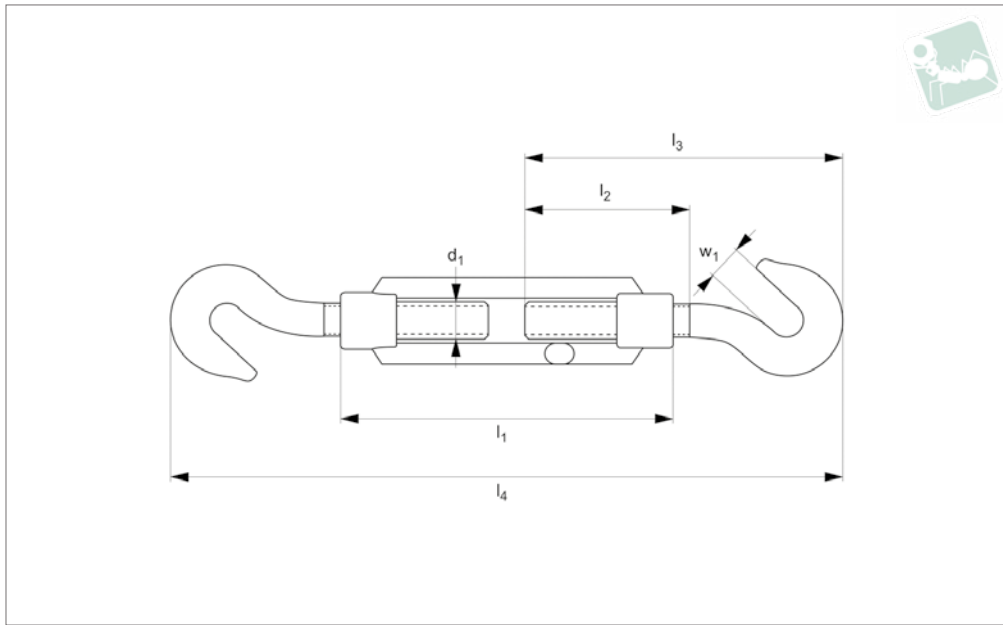
**Important Notes**  
**Turnbuckles are not to be used for lifting.**

Order No.	d <sub>1</sub>	d <sub>2</sub>	l <sub>1</sub>	l <sub>2</sub>	l <sub>3</sub>	l <sub>4</sub> min.	l <sub>4</sub> max.	Weight kg
LP1342.006	M 6	10	110	74	50	148	228	0.09
LP1342.008	M 8	11	110	80	52	160	235	0.14
LP1342.010	M10	15	125	95	59	191	276	0.25
LP1342.012	M12	17	125	107	66	215	295	0.37
LP1342.016	M16	22	170	146	85	292	402	0.90
LP1342.020	M20	24	200	170	100	340	470	1.62

# Hook End Turnbuckles

stainless steel

# Turnbuckles



**LP1346**

TURNBUCKLES

**Material**

Stainless steel (A4).

**Technical Notes**

To DIN 1480 hook to hook.

**Tips**

Turnbuckles consist of a metal frame with

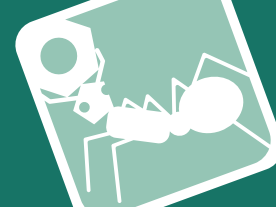
right hand thread one end and left hand thread the other end. Used for tensioning by rotating turnbuckle body without twisting attached rope or cable.

**Only suitable for use in tension.**

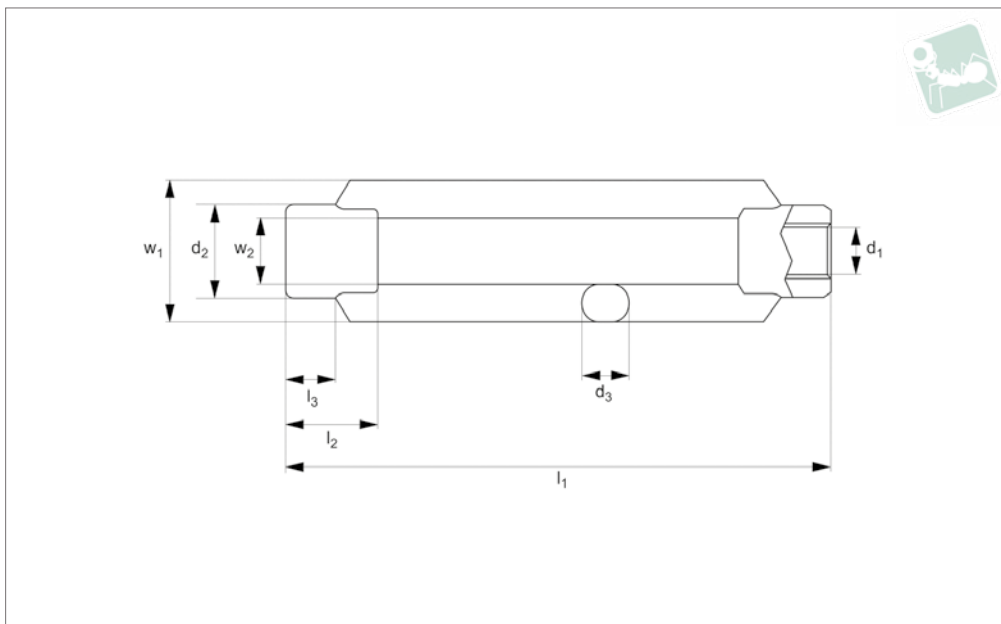
**Important Notes**

**Turnbuckles are not to be used for lifting.**

Order No.	d <sub>1</sub>	l <sub>1</sub>	l <sub>2</sub>	l <sub>3</sub>	l <sub>4</sub> min.	l <sub>4</sub> max.	w <sub>1</sub>	Weight kg
LP1346.006	M 6	110	50	77.0	154	234	8.0	0.09
LP1346.008	M 8	110	60	98.0	196	271	10.0	0.16
LP1346.010	M10	125	73	116.5	233	318	12.5	0.27
LP1346.012	M12	125	90	146.0	293	373	16.0	0.42
LP1346.016	M16	170	100	165.0	330	440	16.0	1.00



## LP1332



**Material**  
Stainless steel (A4).

**Technical Notes**  
To DIN 1480.

**Tips**  
Turnbuckles consist of a metal frame with

right hand thread one end and left hand thread the other end. Used for tensioning by rotating turnbuckle body without twisting attached rope or cable.

**Only suitable for use in tension.**

**Important Notes**  
**Turnbuckles are not to be used for lifting.**

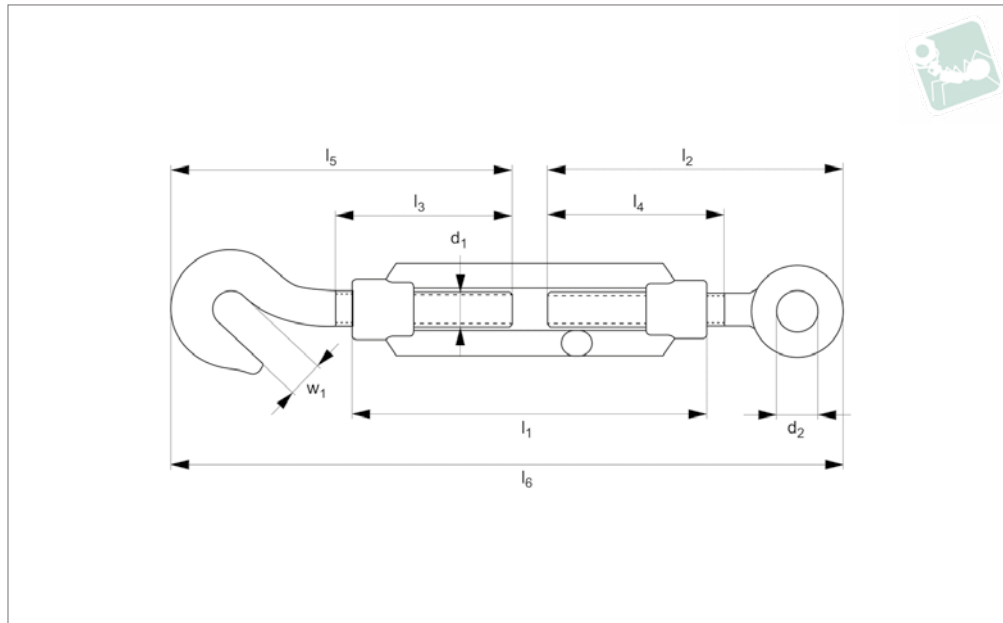
Order No.	$d_1$	$d_2$	$d_3$	$l_1$	$l_2$	$l_3$	$w_1$	$w_2$	Adjustment	Weight kg
LP1332.006	M 6	12	6	110	12	6	19	9	80	0.06
LP1332.008	M 8	15	8	110	15	8	23	11	75	0.09
LP1332.010	M10	18	9	125	18	9	30	14	85	0.15
LP1332.012	M12	21	11	125	21	11	34	16	80	0.20
LP1332.016	M16	27	14	170	27	14	42	20	110	0.44
LP1332.024	M24	39	20	255	39	20	60	28	170	1.20



# Hook & Eye Turnbuckles

stainless steel

## Turnbuckles



**LP1352**

TURNBUCKLES

### Material

Stainless steel (A4).

### Technical Notes

To DIN 1480 hook & eye.

### Tips

Turnbuckles consist of a metal frame with

right hand thread one end and left hand thread the other end. Used for tensioning by rotating turnbuckle body without twisting attached rope or cable.

**Only suitable for use in tension.**

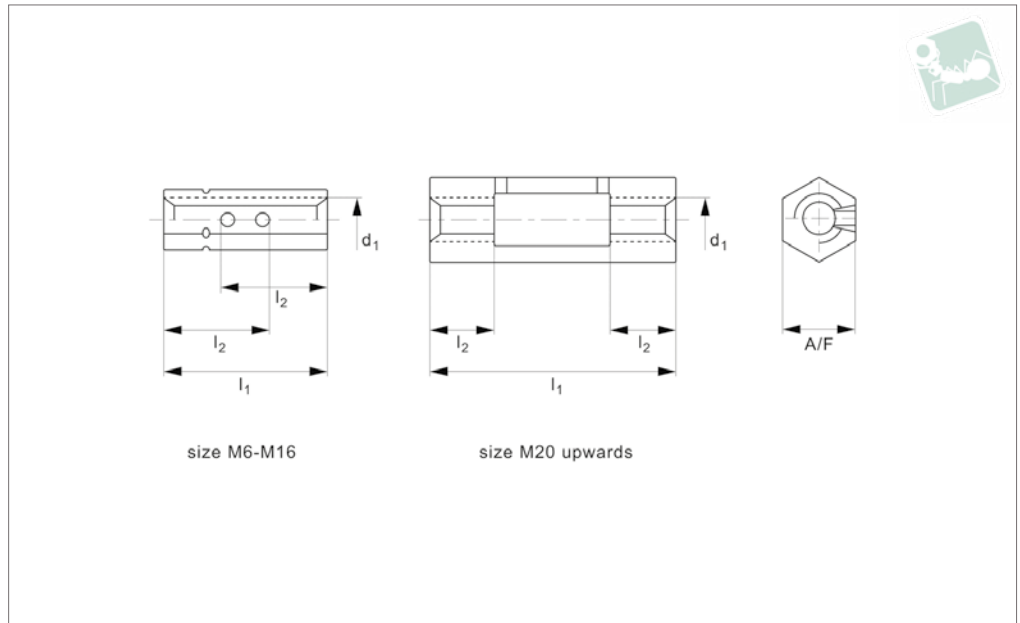
### Important Notes

**Turnbuckles are not to be used for lifting.**

Order No.	$d_1$	$d_2$	$l_1$	$l_2$	$l_3$	$l_4$	$l_5$	$l_6$ min.	$w_1$	Weight kg
LP1352.006	M 6	10	110	74	50	50	77.0	151	8.0	0.09
LP1352.008	M 8	11	110	80	52	60	98.0	178	10.0	0.15
LP1352.010	M10	15	125	95	59	73	116.5	212	12.5	0.26
LP1352.016	M16	22	170	146	85	100	165.0	311	16.0	0.95



## LP1325



### Material

Steel (1.0037), zinc-plated.  
Hot dip galvanized, available on request providing increased protection against corrosion. Please add -FZ for hot dip galvanized, e.g. LP1304.006-FZ.

### Technical Notes

To DIN 1479.

### Tips

Turnbuckles consist of a metal frame with

right hand thread one end and left hand thread the other end. Used for tensioning by rotating turnbuckle body without twisting attached rope or cable.

### Important Notes

L2 dimension indicates the length of thread from each end that has been overcut.

This means you can screw from one end a total of length L2. Please note if screwing in from both ends the length of thread is

half L2.

Sizes M6-M16, have overlapping thread, from M20 middle part is relieved.

**Turnbuckles are not to be used for lifting. Only suitable for use in tension.**

Order No.	d <sub>1</sub>	l <sub>1</sub>	l <sub>2</sub>	A/F	Adjustment	Weight kg
LP1325.006	M 6	30	22.5	10	15	0.02
LP1325.008	M 8	35	25.0	13	15	0.03
LP1325.010	M10	45	33.0	16	21	0.06
LP1325.012	M12	55	40.0	18	25	0.09
LP1325.016	M16	75	55.0	24	35	0.18
LP1325.020	M20	95	24.0	30	47	0.32
LP1325.024	M24	115	29.0	36	57	0.53
LP1325.030	M30	125	36.0	46	53	1.08

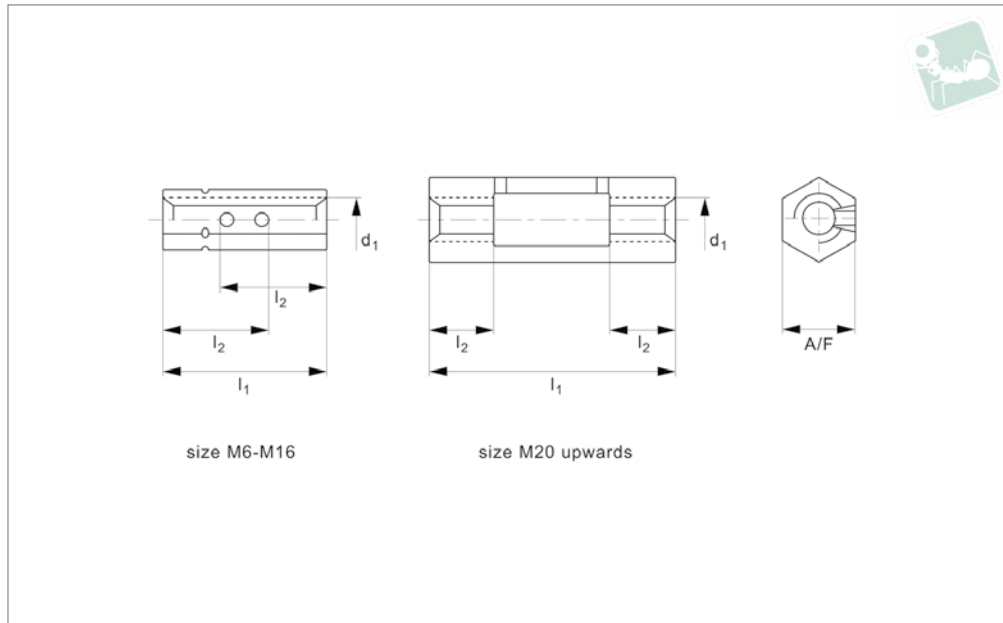




# Hexagonal Body Turnbuckles

stainless steel

## Turnbuckles



**LP1326**

TURNBUCKLES

### Material

Stainless steel (A4).

### Technical Notes

To DIN 1479.

### Tips

Turnbuckles consist of a metal frame with right hand thread one end and left hand thread the other end. Used for tensioning

by rotating turnbuckle body without twisting attached rope or cable.

### Important Notes

L2 dimension indicates the length of thread from each end that has been overcut.

This means you can screw from one end a total of length l2. Please note if screwing

in from both ends the length of thread is half l2.

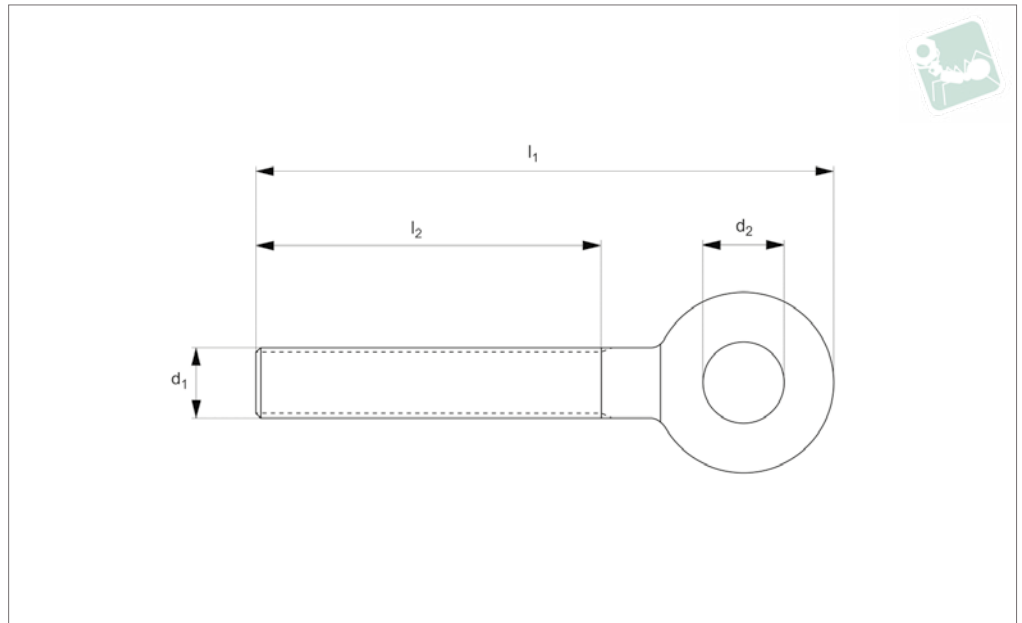
Sizes M6-M16, have overlapping thread, from M20 middle part is relieved.

**Turnbuckles are not to be used for lifting. Only suitable for use in tension.**

Order No.	d <sub>1</sub>	l <sub>1</sub>	l <sub>2</sub>	A/F	Adjustment	Weight kg
LP1326.006	M 6	30	22.5	10	15	0.02
LP1326.008	M 8	35	25.0	13	15	0.03
LP1326.010	M10	45	33.0	16	21	0.06
LP1326.012	M12	55	40.0	18	25	0.09
LP1326.016	M16	75	55.0	24	35	0.18
LP1326.020	M20	95	24.0	30	47	0.32
LP1326.024	M24	115	29.0	36	57	0.53
LP1326.030	M30	125	36.0	46	53	1.08



### LP1360



#### Material

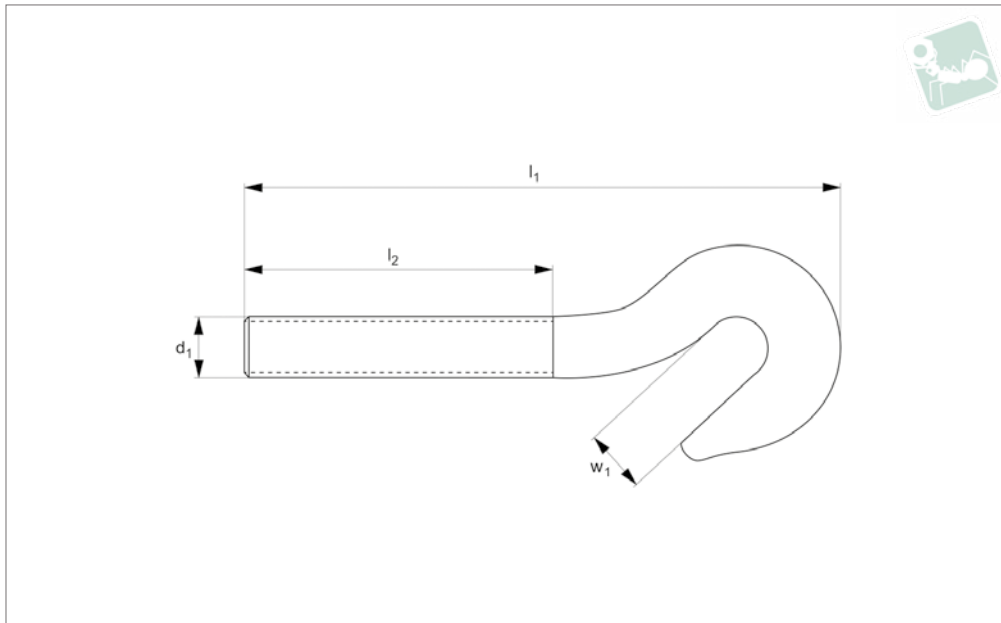
Steel (1.0037), zinc-plated.  
Hot dip galvanized version, available on request providing increased protection

against corrosion. Please add -FZ for hot dip galvanized, e.g. LP1360.R006-FZ.

#### Important Notes

**Turnbuckles are not to be used for lifting.  
Only suitable for use in tension.**

Order No.	Thread hand	d <sub>1</sub>	d <sub>2</sub>	l <sub>1</sub>	l <sub>2</sub>	Weight kg
LP1360.R006	Right	M 6	10	74	50	0.015
LP1360.R008	Right	M 8	11	80	52	0.030
LP1360.R010	Right	M10	15	95	59	0.050
LP1360.R012	Right	M12	17	107	66	0.085
LP1360.R014	Right	M14	18	158	85	0.130
LP1360.R016	Right	M16	22	146	85	0.210
LP1360.R020	Right	M20	24	170	100	0.380
LP1360.R022	Right	M22	30	203	123	0.580
LP1360.R024	Right	M24	33	213	134	0.830
LP1360.R030	Right	M30	39	255	150	1.400
LP1360.R036	Right	M36	37	260	150	2.180
LP1360.R042	Right	M42	48	285	165	3.190
LP1360.R048	Right	M48	58	335	185	4.970
LP1360.L006	Left	M 6	10	74	50	0.015
LP1360.L008	Left	M 8	11	80	52	0.030
LP1360.L010	Left	M10	15	95	59	0.050
LP1360.L012	Left	M12	17	107	66	0.085
LP1360.L014	Left	M14	18	158	85	0.130
LP1360.L016	Left	M16	22	146	85	0.210
LP1360.L020	Left	M20	24	170	100	0.380
LP1360.L022	Left	M22	30	203	123	0.580
LP1360.L024	Left	M24	33	213	134	0.830
LP1360.L030	Left	M30	39	255	150	1.400
LP1360.L036	Left	M36	37	260	150	2.180
LP1360.L042	Left	M42	48	285	165	3.190
LP1360.L048	Left	M48	58	335	185	4.970



## LP1362

TURNBUCKLES

### Material

Steel (1.0037).

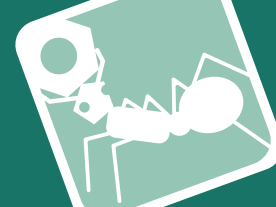
Hot dip galvanized version, available on request providing increased protection

against corrosion. Please add -FZ for hot dip galvanized, e.g. LP1362.R006-FZ.

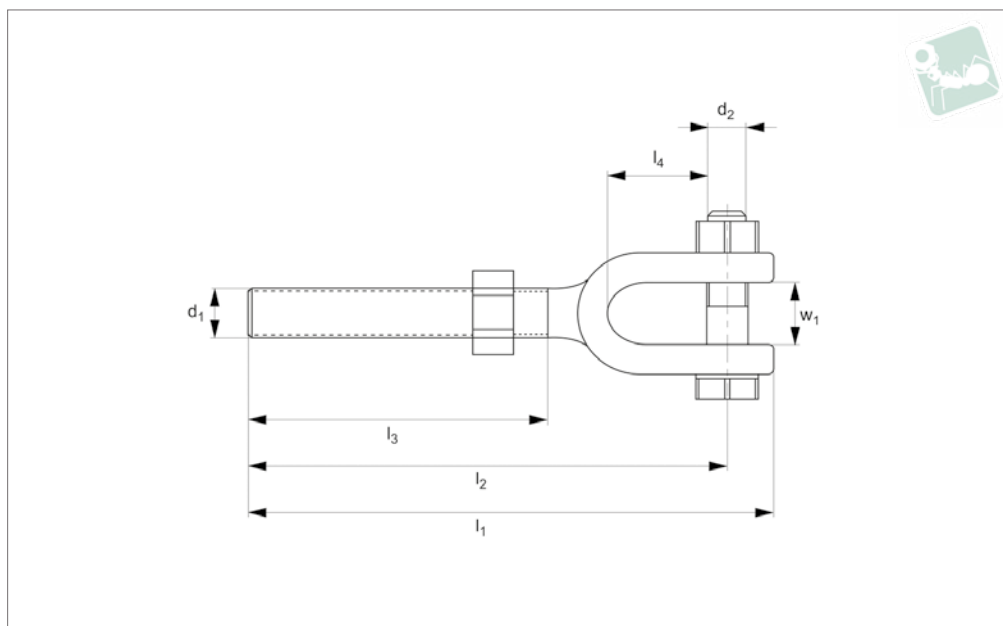
### Important Notes

**Turnbuckles are not to be used for lifting. Only suitable for use in tension.**

Order No.	Thread hand	d <sub>1</sub>	l <sub>1</sub>	l <sub>2</sub>	w <sub>1</sub>	S.W.L. kg	Weight kg
LP1362.R006	Right	M 6	77.0	50	9.5	75	0.016
LP1362.R008	Right	M 8	98.0	60	11.0	165	0.034
LP1362.R010	Right	M10	116.5	73	14.0	235	0.060
LP1362.R012	Right	M12	146.0	90	18.0	320	0.113
LP1362.R014	Right	M14	140.0	80	16.0	420	0.170
LP1362.R016	Right	M16	165.0	100	19.0	530	0.275
LP1362.R020	Right	M20	180.0	105	21.0	730	0.440
LP1362.R022	Right	M22	215.0	120	26.0	1120	0.685
LP1362.R024	Right	M24	225.0	135	29.0	1550	0.765
LP1362.R030	Right	M30	225.0	140	31.0	2240	1.325
LP1362.R036	Right	M36	300.0	170	35.0	3530	2.285
LP1362.L006	Left	M 6	77.0	50	9.5	75	0.016
LP1362.L008	Left	M 8	98.0	60	11.0	165	0.034
LP1362.L010	Left	M10	116.5	73	14.0	235	0.060
LP1362.L012	Left	M12	146.0	90	18.0	320	0.113
LP1362.L014	Left	M14	140.0	80	16.0	420	0.170
LP1362.L016	Left	M16	165.0	100	19.0	530	0.275
LP1362.L020	Left	M20	180.0	105	21.0	730	0.440
LP1362.L022	Left	M22	215.0	120	26.0	1120	0.685
LP1362.L024	Left	M24	225.0	135	29.0	1550	0.765
LP1362.L030	Left	M30	225.0	140	31.0	2240	1.325
LP1362.L036	Left	M36	300.0	170	35.0	3530	2.285



## LP1364



### Material

Steel (C45, 1.0503), zinc-plated.

Hot dip galvanized version, above M12 available on request providing increased protection against corrosion. Please add -

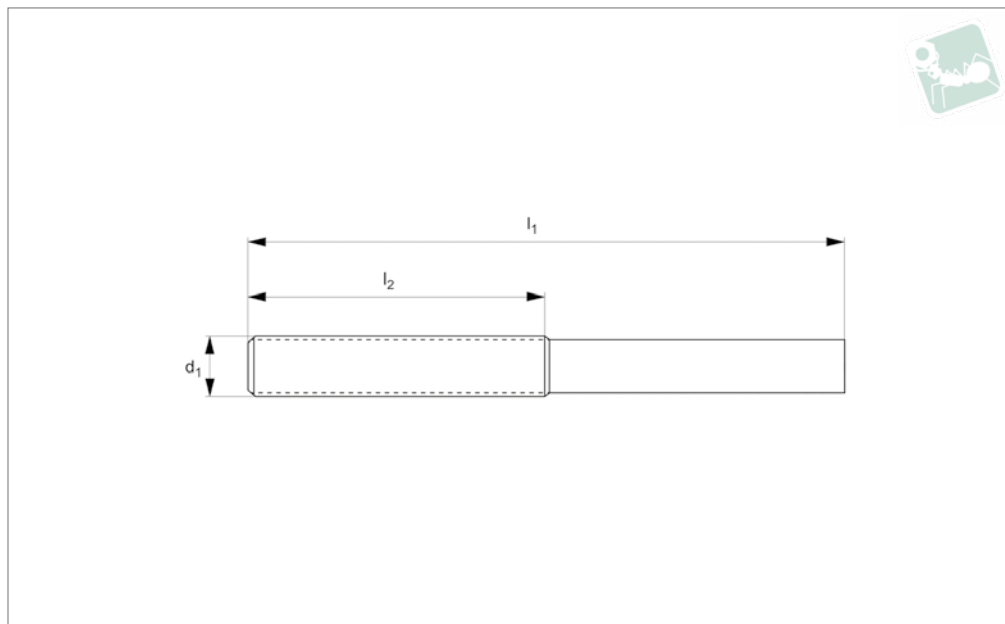
FZ for hot dip galvanized, e.g. LP1364.R008-FZ.

**Only suitable for use in tension.**

### Important Notes

**Turnbuckles are not to be used for lifting.**

Order No.	Thread hand	d <sub>1</sub>	d <sub>2</sub>	l <sub>1</sub>	l <sub>2</sub>	l <sub>3</sub>	l <sub>4</sub>	w <sub>1</sub>	Weight kg
LP1364.R008	Right	M 8	8.5	125	116	68	28.75	9.0	0.095
LP1364.R010	Right	M10	8.5	139	130	82	29.25	10.7	0.132
LP1364.R012	Right	M12	10.5	160	150	90	44.75	15.5	0.215
LP1364.R016	Right	M16	12.5	186	172	102	45.25	20.0	0.405
LP1364.R020	Right	M20	17.0	205	185	115	59.50	23.5	0.812
LP1364.R024	Right	M24	20.5	240	215	125	62.75	29.0	1.395
LP1364.R030	Right	M30	25.0	290	255	150	89.50	34.0	2.690
LP1364.L008	Left	M 8	8.5	125	116	68	28.75	9.0	0.095
LP1364.L010	Left	M10	8.5	139	130	82	29.25	10.7	0.132
LP1364.L012	Left	M12	10.5	160	150	90	44.75	15.5	0.215
LP1364.L016	Left	M16	12.5	186	172	102	45.25	20.0	0.405
LP1364.L020	Left	M20	17.0	205	185	115	59.50	23.5	0.812
LP1364.L024	Left	M24	20.5	240	215	125	62.75	29.0	1.395
LP1364.L030	Left	M30	25.0	290	255	150	89.5	34.0	2.690



## LP1366

TURNBUCKLES

### Material

Steel (1.0037 up to M36, above M36 1.0052).

Hot dip galvanized version, available on request providing increased protection

against corrosion. Please add -FZ for hot dip galvanized, e.g. LP1366.R006-FZ.

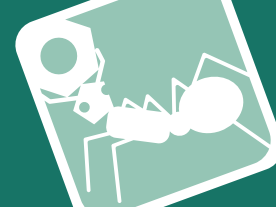
### Technical Notes

To DIN 34828.

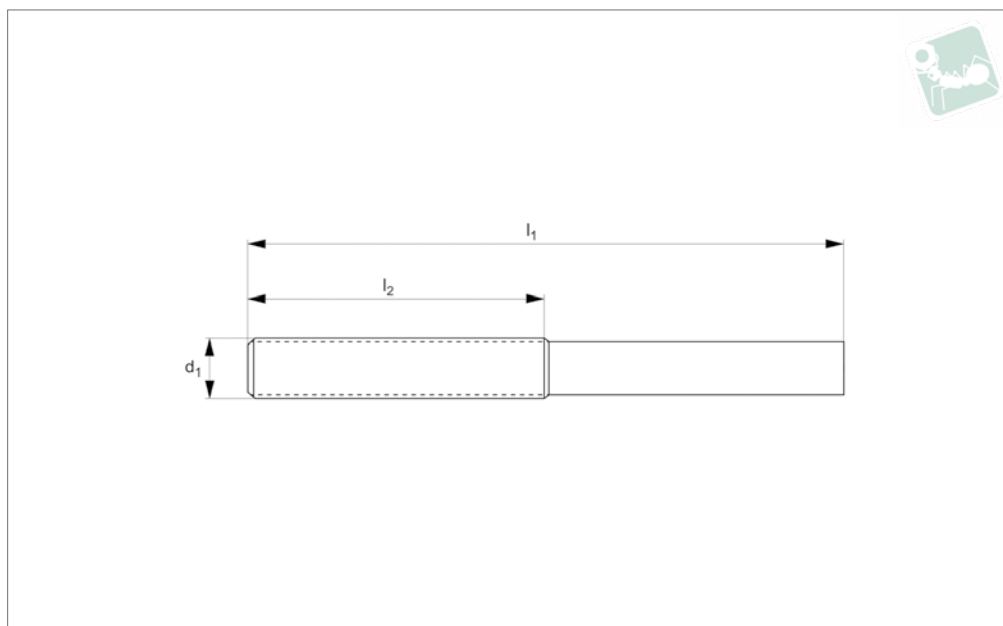
### Important Notes

**Turnbuckles are not to be used for lifting. Only suitable for use in tension.**

Order No.	Thread hand	d	$l_1$	$l_2$	S.W.L. kg	Weight kg
LP1366.R006	Right	M 6	120	60	0.02	0.02
LP1366.R008	Right	M 8	120	65	0.04	0.04
LP1366.R010	Right	M10	150	75	0.07	0.07
LP1366.R012	Right	M12	150	75	0.11	0.11
LP1366.R014	Right	M14	165	80	0.15	0.15
LP1366.R016	Right	M16	200	100	0.26	0.26
LP1366.R020	Right	M20	200	120	0.44	0.44
LP1366.R024	Right	M24	260	150	0.76	0.76
LP1366.R030	Right	M30	260	160	1.20	1.20
LP1366.R036	Right	M36	300	180	2.10	2.10
LP1366.R042	Right	M42	350	200	3.15	3.15
LP1366.R048	Right	M48	380	220	4.60	4.60
LP1366.R056	Right	M56	380	230	6.28	6.28
LP1366.R064	Right	M64	425	300	9.16	9.16
LP1366.R072	Right	M72	400	270	4.60	4.60
LP1366.L006	Left	M 6	120	60	0.02	0.02
LP1366.L008	Left	M 8	120	65	0.04	0.04
LP1366.L010	Left	M10	150	75	0.07	0.07
LP1366.L012	Left	M12	150	75	0.11	0.11
LP1366.L014	Left	M14	165	80	0.15	0.15
LP1366.L016	Left	M16	200	100	0.26	0.26
LP1366.L020	Left	M20	200	120	0.44	0.44
LP1366.L024	Left	M24	260	150	0.76	0.76
LP1366.L030	Left	M30	260	160	1.20	1.20
LP1366.L036	Left	M36	300	180	2.10	2.10
LP1366.L042	Left	M42	350	200	3.15	3.15
LP1366.L048	Left	M48	380	220	4.60	4.60
LP1366.L056	Left	M56	380	230	6.28	6.28
LP1366.L064	Left	M64	425	300	9.16	9.16
LP1366.L072	Left	M72	400	270	4.60	4.60



LP1368

**Material**

Stainless steel (A4).

**Technical Notes**

To DIN 34828.

**Important Notes**

**Turnbuckles are not to be used for lifting.**  
**Only suitable for use in tension.**

Order No.	Thread hand	$d_1$	$l_1$	$l_2$	Weight kg
LP1368.R006	Right	M 6	120	60	0.02
LP1368.R008	Right	M 8	120	65	0.04
LP1368.R010	Right	M10	150	75	0.07
LP1368.R012	Right	M12	150	75	0.11
LP1368.R014	Right	M14	165	80	0.15
LP1368.R016	Right	M16	200	100	0.26
LP1368.R020	Right	M20	220	120	0.44
LP1368.R024	Right	M24	260	150	0.76
LP1368.R030	Right	M30	260	160	1.20
LP1368.R036	Right	M36	300	180	2.10
LP1368.L006	Left	M 6	120	60	0.02
LP1368.L008	Left	M 8	120	65	0.04
LP1368.L010	Left	M10	150	75	0.07
LP1368.L012	Left	M12	150	75	0.11
LP1368.L014	Left	M14	165	80	0.15
LP1368.L016	Left	M16	200	100	0.26
LP1368.L020	Left	M20	220	120	0.44
LP1368.L024	Left	M24	260	150	0.76
LP1368.L030	Left	M30	260	160	1.20
LP1368.L036	Left	M36	300	180	2.10