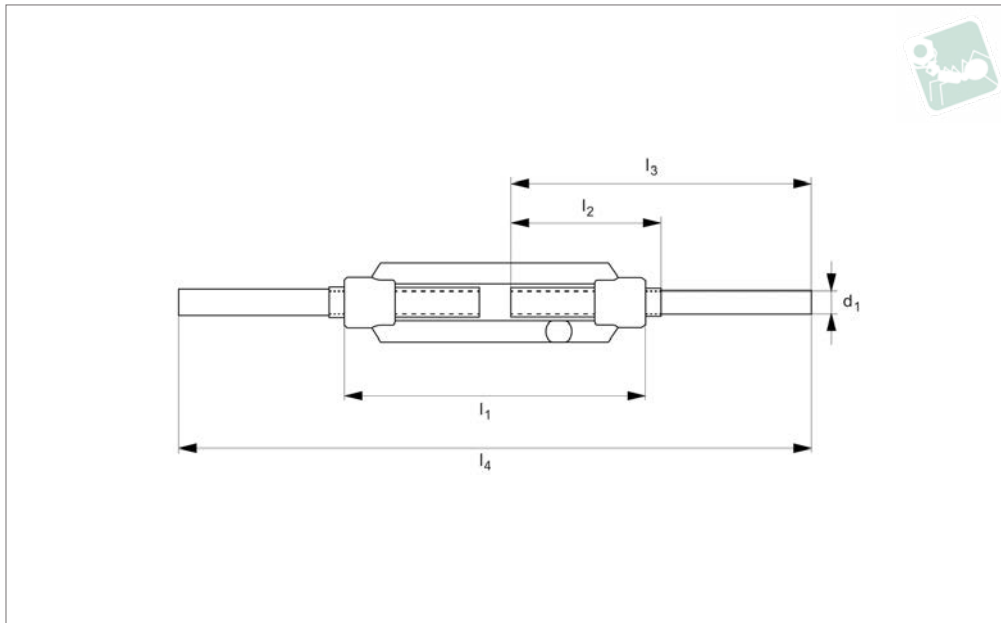


# Stub End Turnbuckles

stainless steel

# Turnbuckles



**LP1336**

TURNBUCKLES

### Material

Stainless steel (A4).

### Technical Notes

To DIN 1480 stub end.

### Tips

Turnbuckles consist of a metal frame with

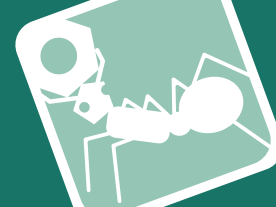
right hand thread one end and left hand thread the other end. Used for tensioning by rotating turnbuckle body without twisting attached rope or cable.

**Only suitable for use in tension.**

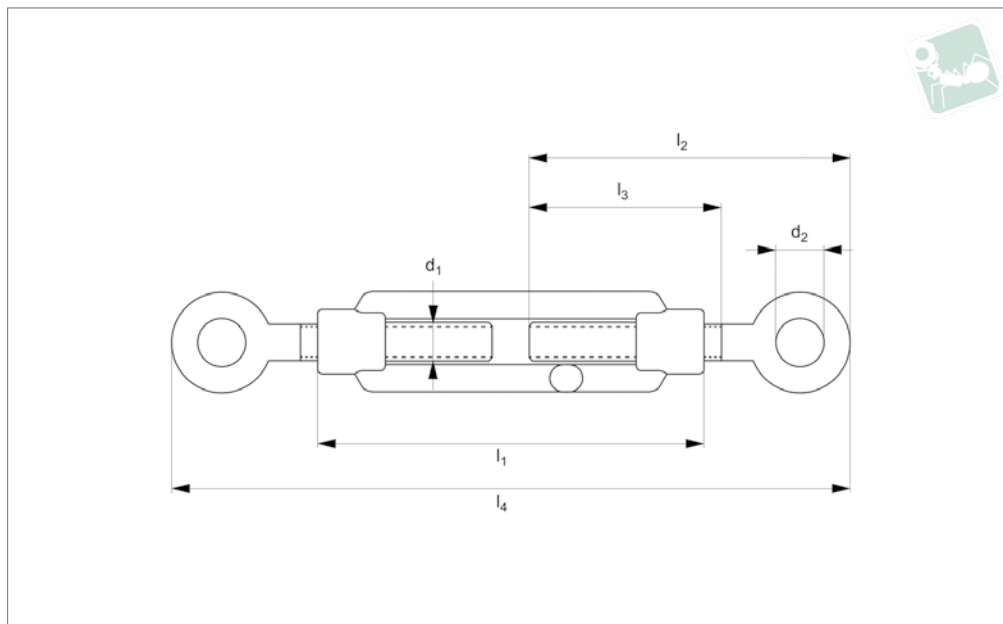
### Important Notes

**Turnbuckles are not to be used for lifting.**

Order No.	$d_1$	$l_1$	$l_2$	$l_3$	$l_4$ min.	$l_4$ max.	Weight kg
LP1336.006	M 6	110	60	120	240	320	0.10
LP1336.008	M 8	110	65	120	240	315	0.16
LP1336.010	M10	125	75	150	301	386	0.30
LP1336.012	M12	125	75	150	301	381	0.40
LP1336.016	M16	170	100	200	400	510	0.96
LP1336.020	M20	200	120	220	440	570	1.74
LP1336.024	M24	255	150	260	521	691	2.74



### LP1342



**Material**  
Stainless steel (A4).

**Technical Notes**  
To DIN 1480 eye to eye.

**Tips**  
Turnbuckles consist of a metal frame with

right hand thread one end and left hand thread the other end. Used for tensioning by rotating turnbuckle body without twisting attached rope or cable.

**Only suitable for use in tension.**

**Important Notes**  
**Turnbuckles are not to be used for lifting.**

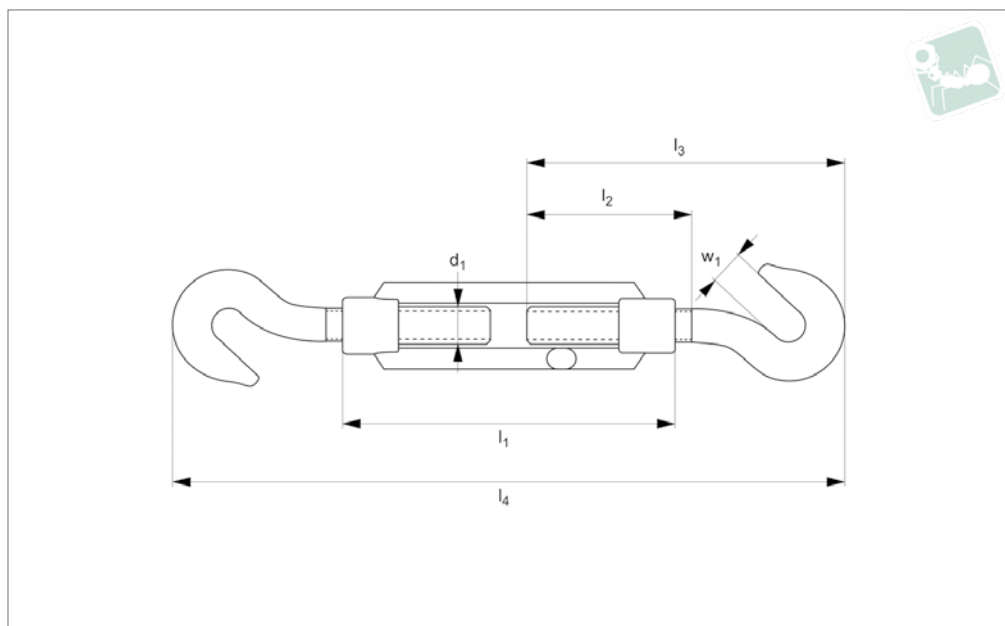
Order No.	d <sub>1</sub>	d <sub>2</sub>	l <sub>1</sub>	l <sub>2</sub>	l <sub>3</sub>	l <sub>4</sub> min.	l <sub>4</sub> max.	Weight kg
LP1342.006	M 6	10	110	74	50	148	228	0.09
LP1342.008	M 8	11	110	80	52	160	235	0.14
LP1342.010	M10	15	125	95	59	191	276	0.25
LP1342.012	M12	17	125	107	66	215	295	0.37
LP1342.016	M16	22	170	146	85	292	402	0.90
LP1342.020	M20	24	200	170	100	340	470	1.62



# Hook End Turnbuckles

stainless steel

## Turnbuckles



**LP1346**

TURNBUCKLES

**Material**

Stainless steel (A4).

**Technical Notes**

To DIN 1480 hook to hook.

**Tips**

Turnbuckles consist of a metal frame with

right hand thread one end and left hand thread the other end. Used for tensioning by rotating turnbuckle body without twisting attached rope or cable.

**Only suitable for use in tension.**

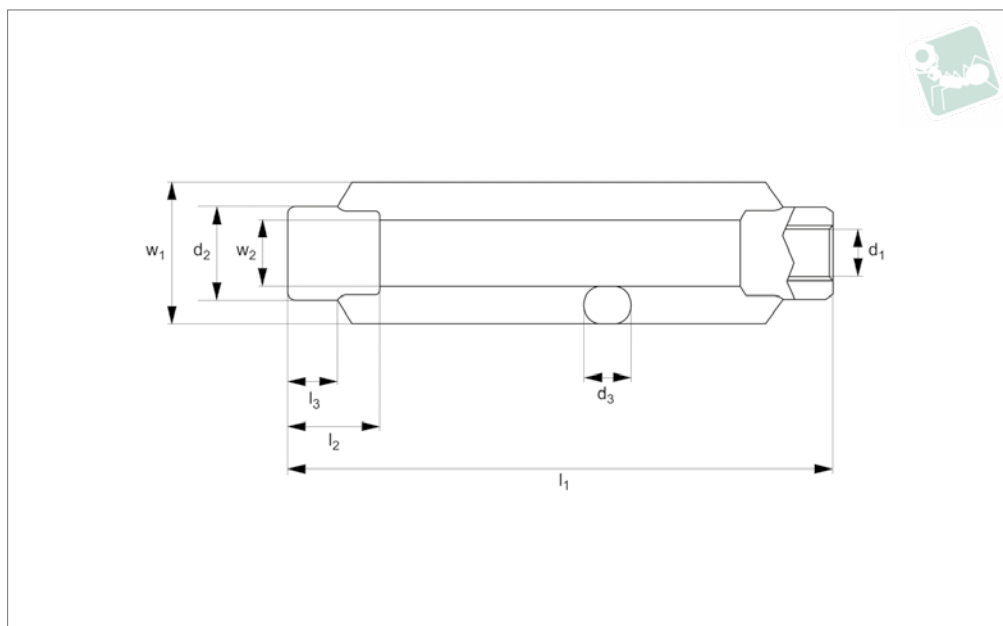
**Important Notes**

**Turnbuckles are not to be used for lifting.**

Order No.	d <sub>1</sub>	l <sub>1</sub>	l <sub>2</sub>	l <sub>3</sub>	l <sub>4</sub> min.	l <sub>4</sub> max.	w <sub>1</sub>	Weight kg
LP1346.006	M 6	110	50	77.0	154	234	8.0	0.09
LP1346.008	M 8	110	60	98.0	196	271	10.0	0.16
LP1346.010	M10	125	73	116.5	233	318	12.5	0.27
LP1346.012	M12	125	90	146.0	293	373	16.0	0.42
LP1346.016	M16	170	100	165.0	330	440	16.0	1.00



## LP1332



**Material**  
Stainless steel (A4).

**Technical Notes**  
To DIN 1480.

**Tips**  
Turnbuckles consist of a metal frame with

right hand thread one end and left hand thread the other end. Used for tensioning by rotating turnbuckle body without twisting attached rope or cable.

**Only suitable for use in tension.**

**Important Notes**  
**Turnbuckles are not to be used for lifting.**

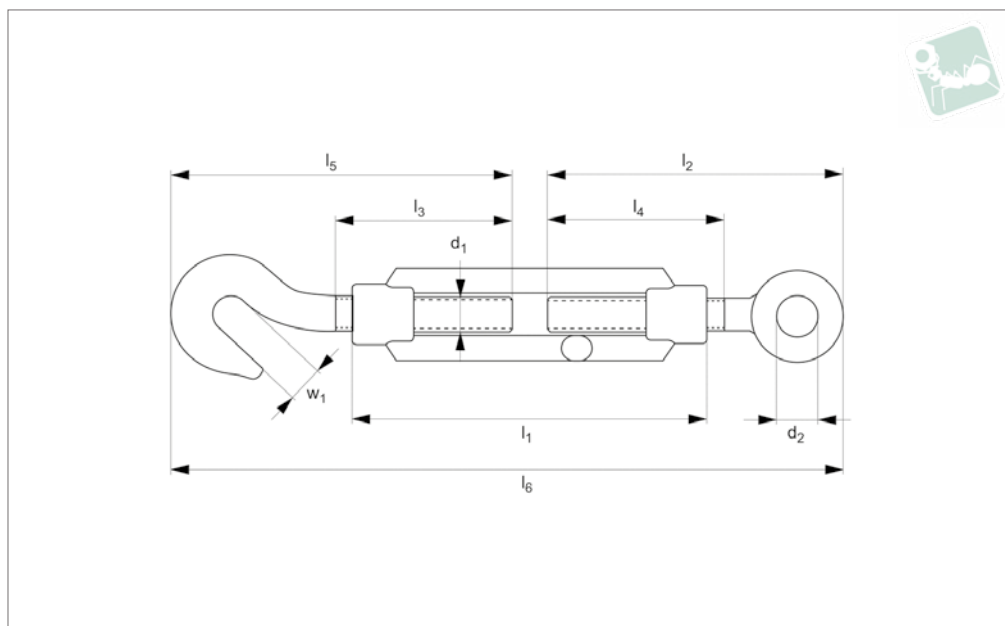
Order No.	d <sub>1</sub>	d <sub>2</sub>	d <sub>3</sub>	l <sub>1</sub>	l <sub>2</sub>	l <sub>3</sub>	w <sub>1</sub>	w <sub>2</sub>	Adjustment	Weight kg
LP1332.006	M 6	12	6	110	12	6	19	9	80	0.06
LP1332.008	M 8	15	8	110	15	8	23	11	75	0.09
LP1332.010	M10	18	9	125	18	9	30	14	85	0.15
LP1332.012	M12	21	11	125	21	11	34	16	80	0.20
LP1332.016	M16	27	14	170	27	14	42	20	110	0.44
LP1332.024	M24	39	20	255	39	20	60	28	170	1.20



# Hook & Eye Turnbuckles

stainless steel

## Turnbuckles



**LP1352**

TURNBUCKLES

### Material

Stainless steel (A4).

### Technical Notes

To DIN 1480 hook & eye.

### Tips

Turnbuckles consist of a metal frame with

right hand thread one end and left hand thread the other end. Used for tensioning by rotating turnbuckle body without twisting attached rope or cable.

**Only suitable for use in tension.**

### Important Notes

**Turnbuckles are not to be used for lifting.**

Order No.	$d_1$	$d_2$	$l_1$	$l_2$	$l_3$	$l_4$	$l_5$	$l_6$ min.	$w_1$	Weight kg
LP1352.006	M 6	10	110	74	50	50	77.0	151	8.0	0.09
LP1352.008	M 8	11	110	80	52	60	98.0	178	10.0	0.15
LP1352.010	M10	15	125	95	59	73	116.5	212	12.5	0.26
LP1352.016	M16	22	170	146	85	100	165.0	311	16.0	0.95