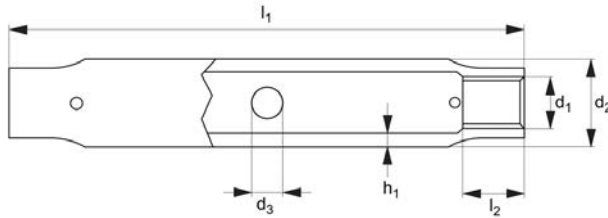




LP1302



Material

Stainless steel (A4)

Technical Notes

To DIN 1478.

Tips

Turnbuckles consist of a metal frame with

right hand thread one end and left hand thread the other end. Used for tensioning by rotating turnbuckle body without twisting attached rope or cable.

Only suitable for use in tension.

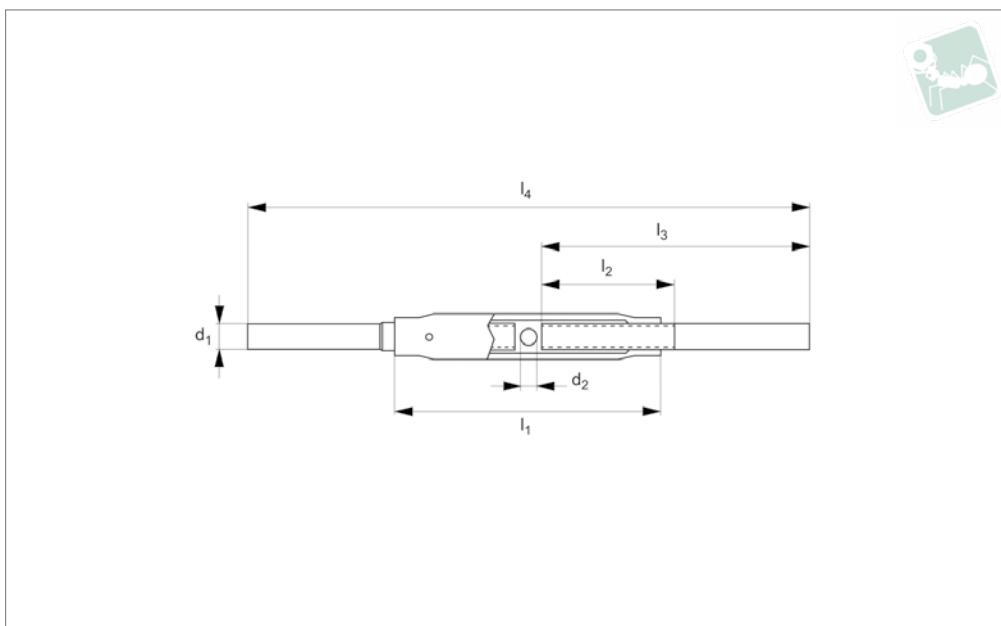
Important Notes

Turnbuckles are not to be used for lifting.

Order No.	d ₁	d ₂	d ₃ min.	d ₃ max.	h ₁	l ₁	l ₂	Adjustment	Weight kg
LP1302.006	M 6	17.2	5.7	6.3	2.9	110	7.5	90	0.13
LP1302.008	M 8	17.2	7.5	8.5	3.6	110	10	85	0.13
LP1302.010	M10	21.3	7.5	8.5	4.0	125	12	95	0.18
LP1302.012	M12	25.0	9.5	10.5	4.0	125	15	90	0.25
LP1302.016	M16	30.0	9.5	10.5	4.5	170	20	120	0.45
LP1302.020	M20	33.7	11.5	12.5	5.0	200	24	140	0.56
LP1302.024	M24	42.4	11.5	12.5	5.6	255	29	180	1.08
LP1302.030	M30	51.0	15.5	16.5	6.3	255	36	160	1.61
LP1302.036	M36	63.5	15.5	16.5	8.0	295	43	180	2.35



LP1306



Material
Stainless steel (A4)

Technical Notes
To DIN 1478.

Tips
Turnbuckles consist of a metal frame with

right hand thread one end and left hand thread the other end. Used for tensioning by rotating turnbuckle body without twisting attached rope or cable.

Only suitable for use in tension.

Important Notes
Turnbuckles are not to be used for lifting.

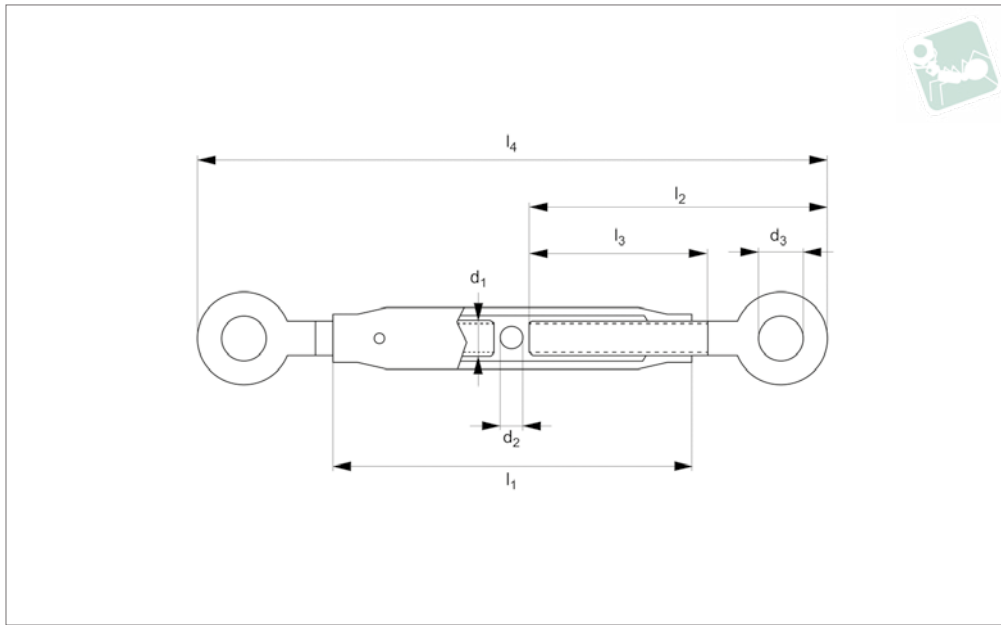
Order No.	d ₁	d ₂	l ₁	l ₂	l ₃	l ₄ min.	l ₄ max.	Weight kg
LP1306.006	M 6	6	110	60	120	246	336	0.17
LP1306.008	M 8	8	110	65	120	248	333	0.20
LP1306.010	M10	8	125	75	150	309	404	0.32
LP1306.012	M12	10	125	75	150	311	401	0.45
LP1306.016	M16	10	170	100	200	410	530	0.97
LP1306.020	M20	12	200	120	220	452	592	1.48
LP1306.024	M24	12	255	150	260	533	713	2.62
LP1306.030	M30	16	255	160	260	537	697	4.01
LP1306.036	M36	16	295	180	300	617	797	6.35



Eye End Pipe Body Turnbuckles

stainless steel

Turnbuckles



LP1310

TURNBUCKLES

Material
Stainless steel (A4)

Technical Notes
To DIN 1478.

Tips
Turnbuckles consist of a metal frame with

right hand thread one end and left hand thread the other end. Used for tensioning by rotating turnbuckle body without twisting attached rope or cable.

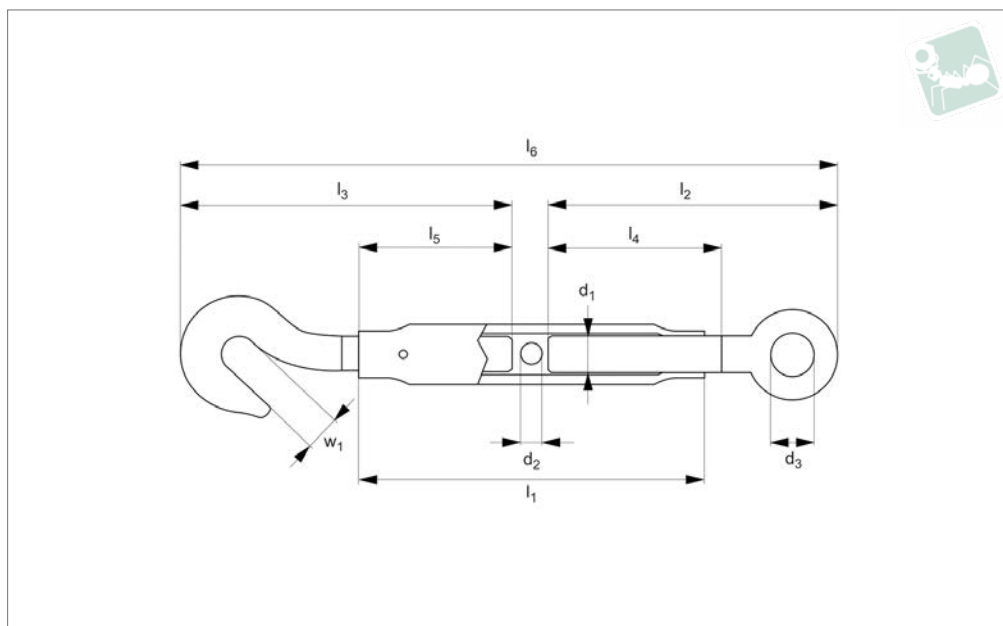
Important Notes
Turnbuckles are not to be used for lifting.

Only suitable for use in tension.

Order No.	d_1	d_2	d_3	l_1	l_2	l_3	l_4 min.	l_4 max.	Weight kg
LP1310.006	M 6	6	10	110	74	50	154	244	0.16
LP1310.008	M 8	8	11	110	80	52	168	253	0.18
LP1310.010	M10	8	15	125	95	59	199	294	0.28
LP1310.012	M12	10	17	125	107	66	225	315	0.42
LP1310.016	M16	10	22	170	146	85	302	422	0.91
LP1310.020	M20	12	24	200	170	100	352	492	1.36



LP1314



Material
Stainless steel (A4)

Technical Notes
To DIN 1478.

Tips
Turnbuckles consist of a metal frame with

right hand thread one end and left hand thread the other end. Used for tensioning by rotating turnbuckle body without twisting attached rope or cable.

Only suitable for use in tension.

Important Notes
Turnbuckles are not to be used for lifting.

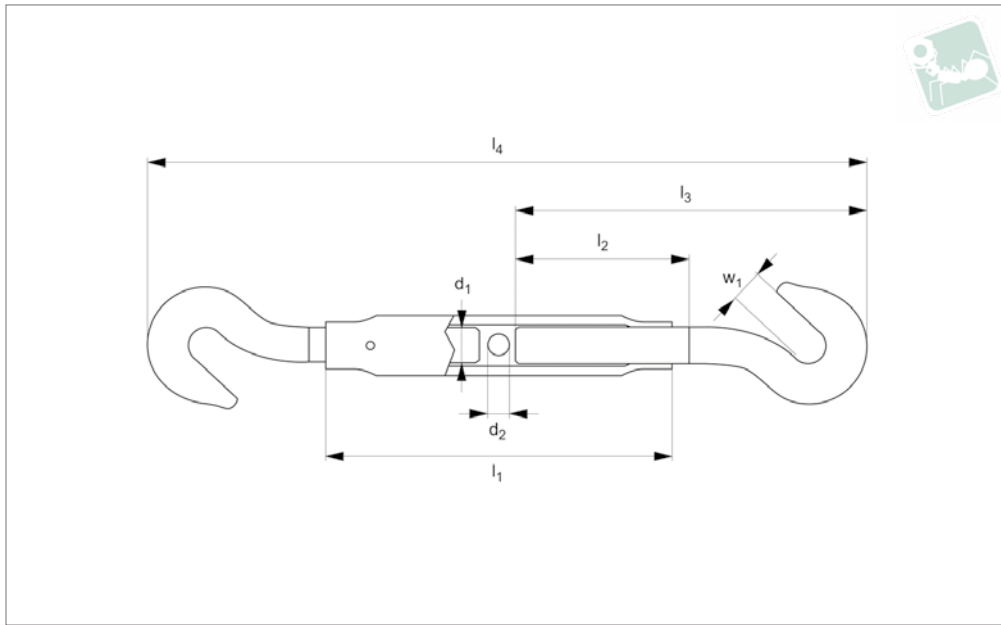
Order No.	d ₁	d ₂	d ₃	l ₁	l ₂	l ₃	l ₄	l ₅	l ₆ min.	l ₆ max.	w ₁	Weight kg
LP1314.006	M 6	6	10	110	74	77.0	50	50	157	247	9.5	0.16
LP1314.008	M 8	8	11	110	80	98.0	52	60	186	271	11.0	0.19
LP1314.010	M10	8	15	125	95	116.5	59	73	220	315	14.0	0.29
LP1314.012	M12	10	17	125	107	146.0	66	90	264	354	18.0	0.45
LP1314.016	M16	10	22	170	146	165.0	85	100	321	441	19.0	0.96



Hook End Pipe Body Turnbuckles

stainless steel

Turnbuckles



LP1318

TURNBUCKLES

Material
Stainless steel (A4)

Technical Notes
To DIN 1478.

Tips
Turnbuckles consist of a metal frame with

right hand thread one end and left hand thread the other end. Used for tensioning by rotating turnbuckle body without twisting attached rope or cable.

Important Notes
Turnbuckles are not to be used for lifting.

Only suitable for use in tension.

Order No.	d_1	d_2	l_1	l_2	l_3	l_4 min.	l_4 max.	w_1	Weight kg
LP1318.006	M 6	6	110	50	77.0	160	250	9.5	0.16
LP1318.008	M 8	8	110	60	98.0	204	289	11.0	0.20
LP1318.010	M10	8	125	73	116.5	241	336	14.0	0.30
LP1318.012	M12	10	125	90	146.0	303	393	18.0	0.47
LP1318.016	M16	10	170	100	165.0	340	460	19.0	1.01