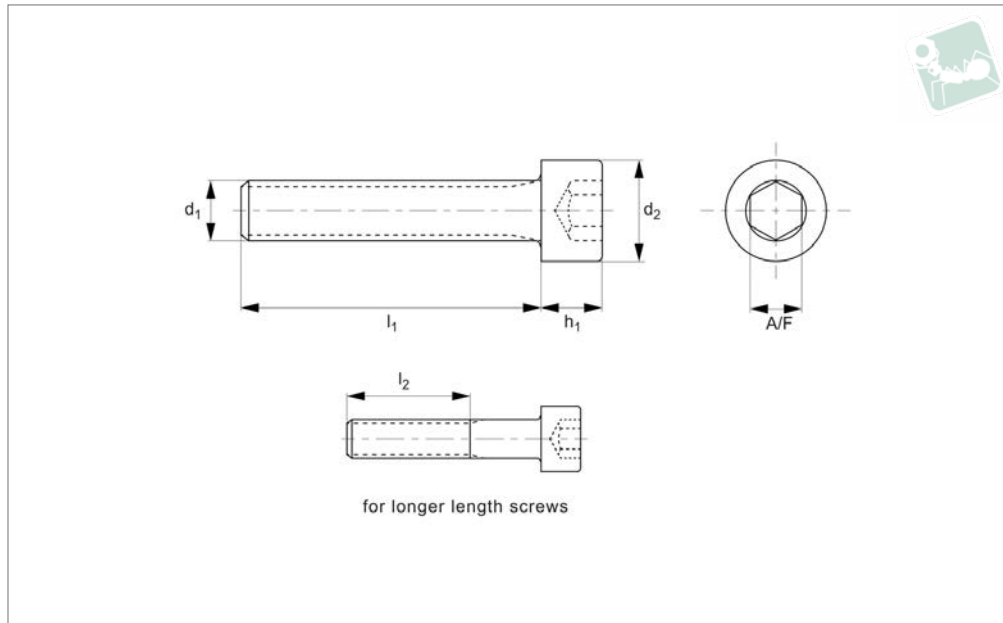




Hexagon Socket Head Cap Screws

Hexagon socket head, DIN 912, 7075

Aluminium



A0020.A7

ALUMINIUM

Material

Aluminium high tensile.

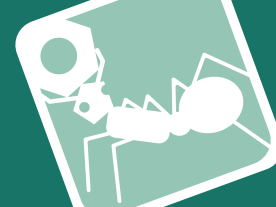
threaded.

See technical page for tightening torques.

Technical Notes

Similar to DIN 912, ISO 4762. All fully

Order No.	Thread	l_1	d_2	h_1	A/F	Material	Finish
A0020.040-010	M 4	10	7	4	3	Aluminium	clear anodised
A0020.040-012	M 4	12	7	4	3	Aluminium	clear anodised
A0020.040-016	M 4	16	7	4	3	Aluminium	clear anodised
A0020.040-020	M 4	20	7	4	3	Aluminium	clear anodised
A0020.040-025	M 4	25	7	4	3	Aluminium	clear anodised
A0020.040-030	M 4	30	7	4	3	Aluminium	clear anodised
A0020.040-035	M 4	35	7	4	3	Aluminium	clear anodised
A0020.050-010	M 5	10	8.5	5	4	Aluminium	clear anodised
A0020.050-012	M 5	12	8.5	5	4	Aluminium	clear anodised
A0020.050-016	M 5	16	8.5	5	4	Aluminium	clear anodised
A0020.050-020	M 5	20	8.5	5	4	Aluminium	clear anodised
A0020.050-025	M 5	25	8.5	5	4	Aluminium	clear anodised
A0020.050-030	M 5	30	8.5	5	4	Aluminium	clear anodised
A0020.050-040	M 5	40	8.5	5	4	Aluminium	clear anodised
A0020.060-010	M 6	10	10	6	5	Aluminium	clear anodised
A0020.060-012	M 6	12	10	6	5	Aluminium	clear anodised
A0020.060-016	M 6	16	10	6	5	Aluminium	clear anodised
A0020.060-020	M 6	20	10	6	5	Aluminium	clear anodised
A0020.060-025	M 6	25	10	6	5	Aluminium	clear anodised
A0020.060-030	M 6	30	10	6	5	Aluminium	clear anodised
A0020.060-035	M 6	35	10	6	5	Aluminium	clear anodised
A0020.060-040	M 6	40	10	6	5	Aluminium	clear anodised
A0020.060-050	M 6	50	10	6	5	Aluminium	clear anodised
A0020.060-060	M 6	60	10	6	5	Aluminium	clear anodised
A0020.060-070	M 6	70	10	6	5	Aluminium	clear anodised
A0020.080-015	M 8	15	13	8	6	Aluminium	clear anodised
A0020.080-020	M 8	20	13	8	6	Aluminium	clear anodised
A0020.080-025	M 8	25	13	8	6	Aluminium	clear anodised
A0020.080-030	M 8	30	13	8	6	Aluminium	clear anodised
A0020.080-040	M 8	40	13	8	6	Aluminium	clear anodised
A0020.080-050	M 8	50	13	8	6	Aluminium	clear anodised
A0020.100-030	M10	30	16	10	8	Aluminium	clear anodised
A0020.100-040	M10	40	16	10	8	Aluminium	clear anodised
A0020.100-050	M10	50	16	10	8	Aluminium	clear anodised



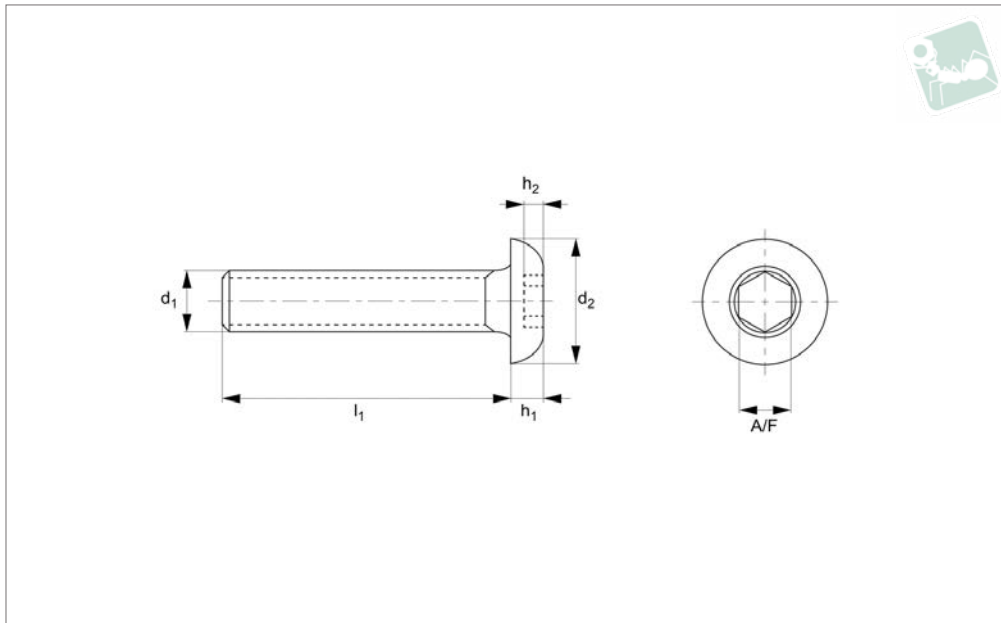
Order No.	Thread	l_1	d_2	h_1	A/F	Material	Finish
A0020.100-060	M10	60	16	10	8	Aluminium	clear anodised



Socket Button Head Screw

Socket Button Head, ISO 7380, 7075

Aluminium



A0022.A7

ALUMINIUM

Material

Aluminium high tensile.

Technical Notes

Socket Button Head Screw, Aluminium
7075

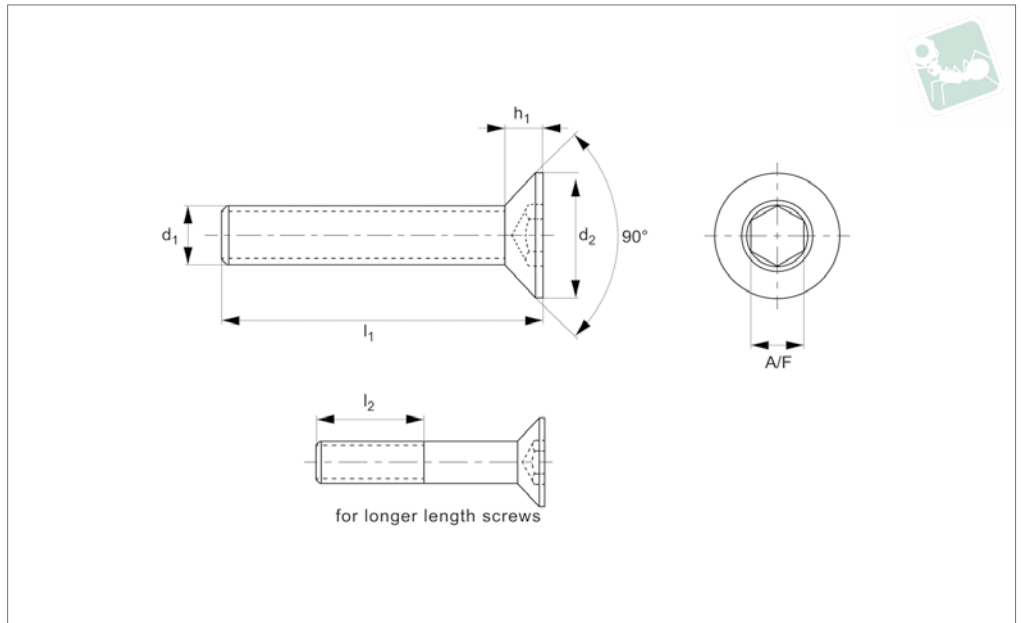
Order No.	Thread	l_1	d_2	h_1	h_2	A/F	Material	Finish
A0022.050-016	M 5	16	12	2.75	1.56	3	Aluminium	unfinished
A0022.050-020	M 5	20	12	2.75	1.56	3	Aluminium	unfinished
A0022.060-016	M 6	16	16	3.3	2.08	4	Aluminium	unfinished
A0022.060-020	M 6	20	16	3.3	2.08	4	Aluminium	unfinished
A0022.060-025	M 6	25	16	3.3	2.08	4	Aluminium	unfinished



ALUMINIUM



A0025.A7



Material

Aluminium high tensile.

Screws.

Technical Notes

Hexagon Socket Countersunk head cap

Aluminium H14

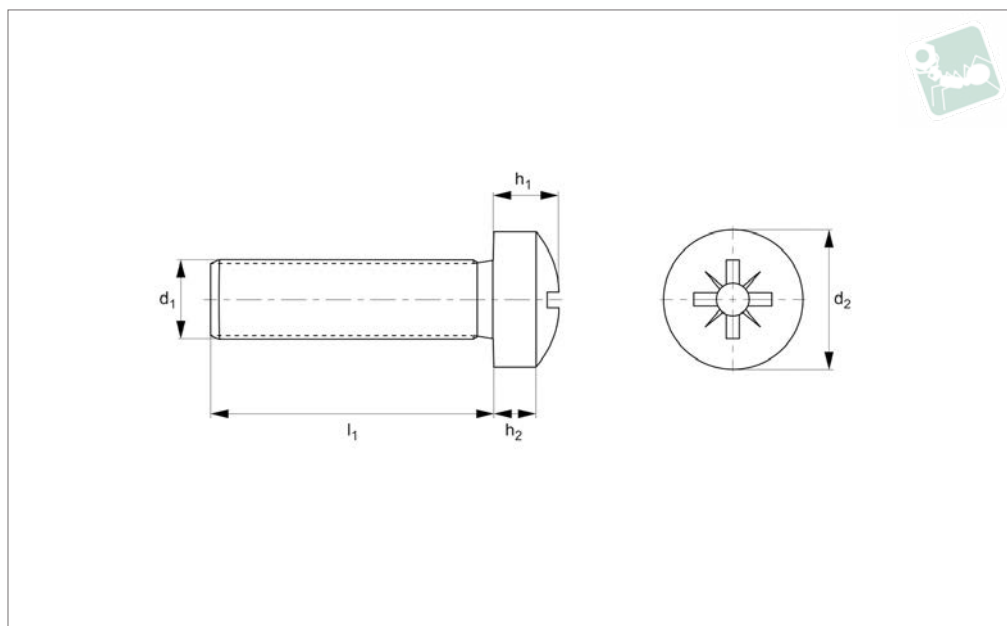
Order No.	Thread	l_1	d_2	h_1	A/F	Material	Finish
A0025.050-020	M 5	20	10	2.3	2.5	Aluminium	unfinished
A0025.060-025	M 6	25	12	2.5	4.0	Aluminium	unfinished
A0025.080-020	M 8	20	16	3.5	5.0	Aluminium	unfinished



Pozi Pan Head Screws

To DIN 7985 Z, 7075

Aluminium



A0028.A7

ALUMINIUM

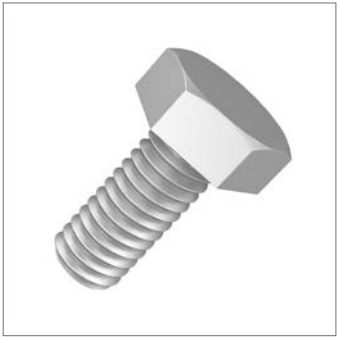
Material

Aluminium high tensile, grade 7075 anodised.

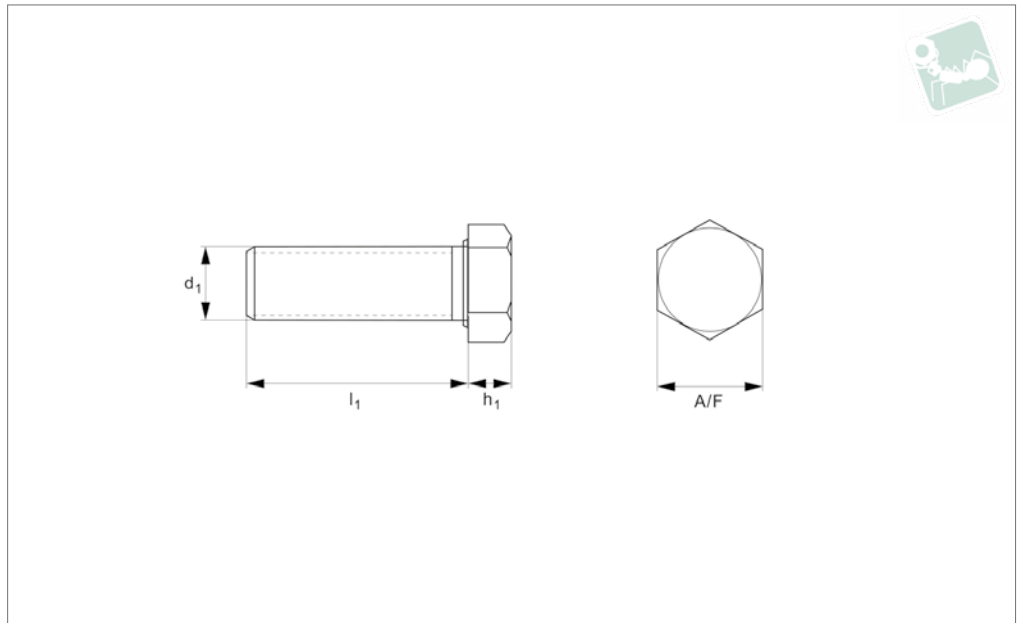
Technical Notes

Pozi-Panhead screws, DIN 7985, form Z.

Order No.	Thread	l_1	d_2	h_1	Size	Material	Finish
A0028.030-008	M 3	8.0	6.0	2.52	PZ-1	Aluminium	Anodised
A0028.030-010	M 3	10	6.0	2.52	PZ-1	Aluminium	Anodised
A0028.030-012	M 3	12	6.0	2.52	PZ-1	Aluminium	Anodised
A0028.030-016	M 3	16	6.0	2.52	PZ-1	Aluminium	Anodised
A0028.030-020	M 3	20	6.0	2.52	PZ-1	Aluminium	Anodised
A0028.030-030	M 3	30	6.0	2.52	PZ-1	Aluminium	Anodised
A0028.040-010	M 4	10	8.0	3.25	PZ-2	Aluminium	Anodised
A0028.040-012	M 4	12	8.0	3.25	PZ-2	Aluminium	Anodised
A0028.040-016	M 4	16	8.0	3.25	PZ-2	Aluminium	Anodised
A0028.040-020	M 4	20	8.0	3.25	PZ-2	Aluminium	Anodised
A0028.040-025	M 4	25	8.0	3.25	PZ-2	Aluminium	Anodised
A0028.050-016	M 5	16	10.0	3.95	PZ-2	Aluminium	Anodised
A0028.050-030	M 5	30	10.0	3.95	PZ-2	Aluminium	Anodised
A0028.060-012	M 6	12	12.0	4.75	PZ-3	Aluminium	Anodised
A0028.060-016	M 6	16	12.0	4.75	PZ-3	Aluminium	Anodised
A0028.060-020	M 6	20	12.0	4.75	PZ-3	Aluminium	Anodised
A0028.060-030	M 6	30	12.0	4.75	PZ-3	Aluminium	Anodised
A0028.060-040	M 6	40	12.0	4.75	PZ-3	Aluminium	Anodised



A0013.A6



Material

Aluminium 6060 standard grade.

Technical Notes

To DIN 933, ISO 4017.

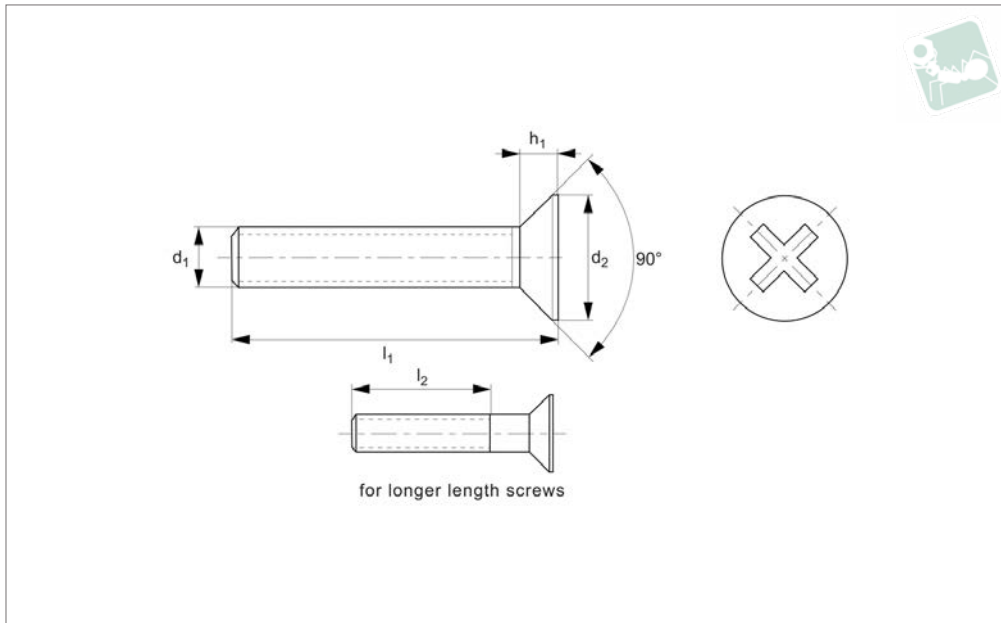
Order No.	Thread	l_1	h_1	A/F	Material	Finish
A0013.050-020-A6	M 5	20	3.5	8	Aluminium	unfinished
A0013.050-025-A6	M 5	25	3.5	8	Aluminium	unfinished
A0013.050-030-A6	M 5	30	3.5	8	Aluminium	unfinished
A0013.050-040-A6	M 5	40	3.5	8	Aluminium	unfinished
A0013.050-050-A6	M 5	50	3.5	8	Aluminium	unfinished
A0013.060-010-A6	M 6	10	4.0	10	Aluminium	unfinished
A0013.060-012-A6	M 6	12	4.0	10	Aluminium	unfinished
A0013.060-016-A6	M 6	16	4.0	10	Aluminium	unfinished
A0013.060-020-A6	M 6	20	4.0	10	Aluminium	unfinished
A0013.060-025-A6	M 6	25	4.0	10	Aluminium	unfinished
A0013.060-030-A6	M 6	30	4.0	10	Aluminium	unfinished
A0013.060-040-A6	M 6	40	4.0	10	Aluminium	unfinished
A0013.060-050-A6	M 6	50	4.0	10	Aluminium	unfinished
A0013.080-025-A6	M 8	25	5.3	13	Aluminium	unfinished
A0013.080-030-A6	M 8	30	5.3	13	Aluminium	unfinished
A0013.080-035-A6	M 8	35	5.3	13	Aluminium	unfinished
A0013.080-040-A6	M 8	40	5.3	13	Aluminium	unfinished
A0013.080-050-A6	M 8	50	5.3	13	Aluminium	unfinished
A0013.080-060-A6	M 8	60	5.3	13	Aluminium	unfinished
A0013.080-070-A6	M 8	70	5.3	13	Aluminium	unfinished
A0013.080-080-A6	M 8	80	5.3	13	Aluminium	unfinished
A0013.100-030-A6	M10	30	6.4	17	Aluminium	unfinished
A0013.100-040-A6	M10	40	6.4	17	Aluminium	unfinished
A0013.100-050-A6	M10	50	6.4	17	Aluminium	unfinished
A0013.120-040-A6	M12	40	7.5	18	Aluminium	unfinished
A0013.120-050-A6	M12	50	7.5	18	Aluminium	unfinished



Cross Recessed Csk Screws

flat head screws, DIN 965 H, 7075

Aluminium



A0019.A7

ALUMINIUM

Material

Aluminium high tensile.

screw lengths the threads goes all the way to the head of the screw (i.e. $l_1 = l_2$) less 2.5 thread pitches.

portion $l_2 < l_1$.

Technical Notes

To DIN 965 H, ISO 7046. For the majority of

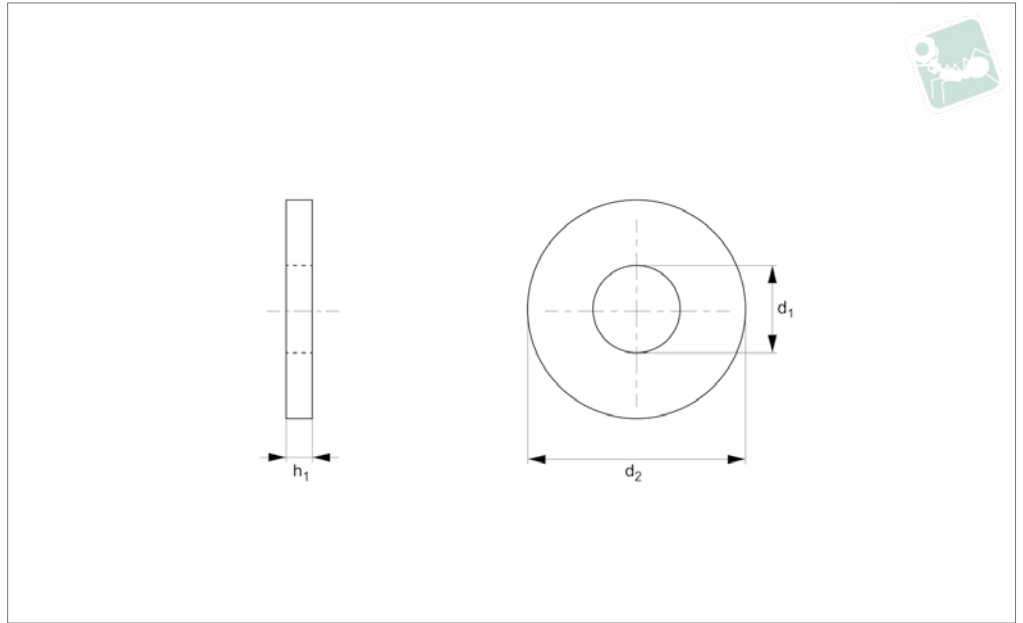
For longer length screws the threaded

See technical page for tightening torques.

Order No.	Thread	l_1	d_2	l_2	h_1	Size	Material	Finish
A0019.030-016	M 3	16	5.6	-	1.65	PH-1	Aluminium	clear anodised
A0019.030-020	M 3	20	5.6	-	1.65	PH-1	Aluminium	clear anodised
A0019.030-025	M 3	25	5.6	19	1.65	PH-1	Aluminium	clear anodised
A0019.040-016	M 4	16	7.5	-	2.2	PH-2	Aluminium	clear anodised
A0019.040-025	M 4	25	7.5	-	2.2	PH-2	Aluminium	clear anodised
A0019.050-012	M 5	12	9.2	-	2.5	PH-2	Aluminium	clear anodised
A0019.050-016	M 5	16	9.2	-	2.5	PH-2	Aluminium	clear anodised
A0019.050-020	M 5	20	9.2	-	2.5	PH-2	Aluminium	clear anodised
A0019.060-016	M 6	16	11	-	3.0	PH-3	Aluminium	clear anodised
A0019.060-020	M 6	20	11	-	3.0	PH-3	Aluminium	clear anodised
A0019.060-025	M 6	25	11	-	3.0	PH-3	Aluminium	clear anodised
A0019.060-030	M 6	30	11	-	3.0	PH-3	Aluminium	clear anodised
A0019.060-040	M 6	40	11	28	3.0	PH-3	Aluminium	clear anodised
A0019.060-050	M 6	50	11	28	3.0	PH-3	Aluminium	clear anodised
A0019.080-020	M 8	20	14.5	-	4.0	PH-4	Aluminium	clear anodised
A0019.080-050	M 8	50	14.5	34	4.0	PH-4	Aluminium	clear anodised



A0400.A0

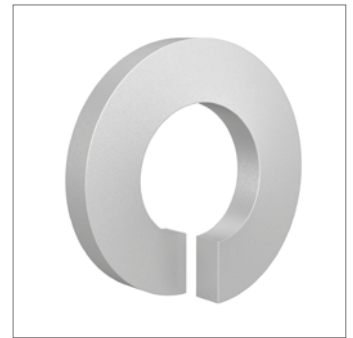
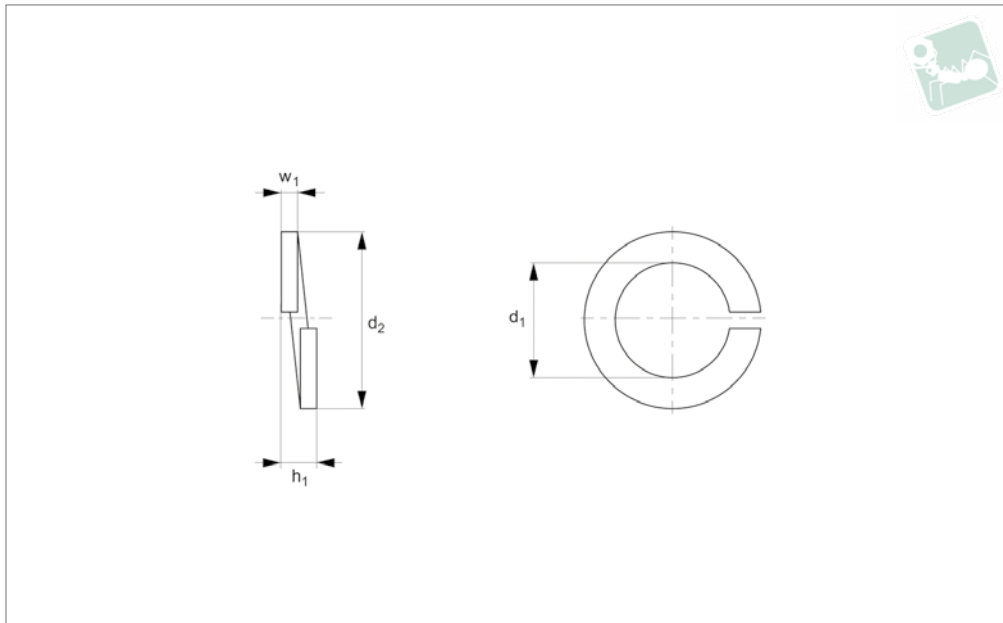


ALUMINIUM

Material

Aluminium H14, similar to A7.

Order No.	For thread	h_1	d_1	d_2	To standard
A0400.020-0050	M 2	0.3	2.2	5	DIN 125A
A0400.025-0060	M 2,5	0.5	2.7	6	DIN 125A
A0400.030-0070	M 3	0.5	3.2	7	DIN 125A
A0400.040-0090	M 4	0.5	4.3	9	DIN 125A
A0400.050-0100	M 5	1.0	5.3	10	DIN 125A
A0400.050-0120	M 5	1.0	5.3	12	-
A0400.050-0150	M 5	1.5	5.3	15	DIN 9021
A0400.060-0140	M 6	1.0	6.3	14	DIN 125A
A0400.060-0180	M 6	1.2	6.3	18	DIN 125A
A0400.080-0180	M 8	1.6	8.3	18	DIN 125A
A0400.080-0210	M 8	1.6	8.3	21	DIN 125A
A0400.100-0200	M10	1.3	10.5	20	DIN 125A
A0400.120-0240	M12	1.6	13.0	24	DIN 125A
A0400.160-0300	M16	2.0	17.0	30	DIN 125A



A0403.A7

ALUMINIUM

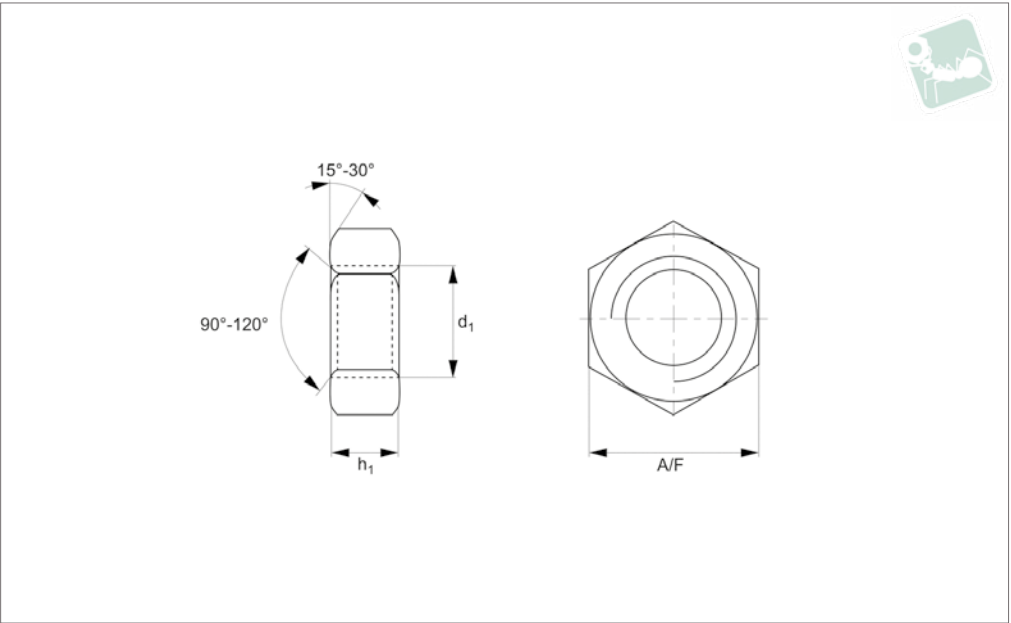
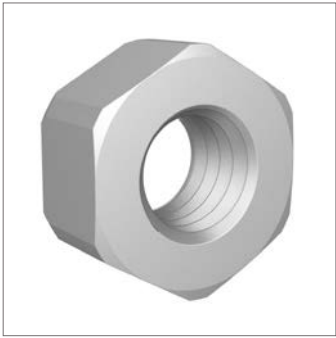
Material

Aluminium high tensile.

Technical Notes

DIN 127.

Order No.	For thread	h_1	d_1	d_2	w_1
A0403.060	M 6	3.2	6.1	11.8	1.6
A0403.080	M 8	4.0	8.1	14.8	2.0
A0403.100	M10	4.4	10.2	18.1	2.2
A0403.120	M12	5.0	12.2	21.1	2.5
A0403.140	M14	6.0	14.2	24.1	3.5
A0403.160	M16	7.0	16.2	27.4	3.5



ALUMINIUM

A0501

Material

Aluminium 6061 (standard grade), 7075 (high tensile grade).

Technical Notes

DIN 934

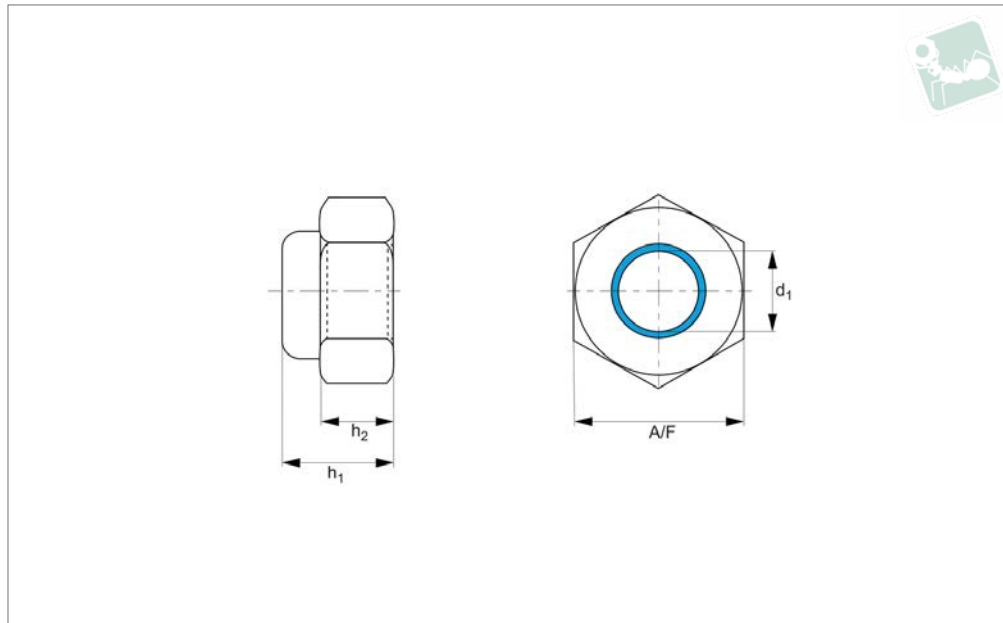
Order No.	h_1	A/F	Grade	d_1	Finish
A0501.030-A6	2.4	5.5	Standard	M 3	unfinished
A0501.040-A6	3.2	7.0	Standard	M 4	unfinished
A0501.050-A6	4.0	8.0	Standard	M 5	unfinished
A0501.060-A6	5.0	10	Standard	M 6	unfinished
A0501.080-A6	6.5	13	Standard	M 8	unfinished
A0501.100-A6	8.0	17	Standard	M10	unfinished
A0501.120-A6	10	19	Standard	M12	unfinished
A0501.060-A7	5.0	10	High Tensile	M 6	anodised
A0501.080-A7	6.5	13	High Tensile	M 8	anodised
A0501.100-A7	8.0	17	High Tensile	M10	anodised
A0501.120-A7	10	19	High Tensile	M12	anodised
A0501.160-A7	13	24	High Tensile	M16	anodised



Prevailing Torque Hexagon Thin Nuts

with nonmetallic insert, DIN 985

Aluminium



A0504.A7

ALUMINIUM

Material

Aluminium, high tensile.

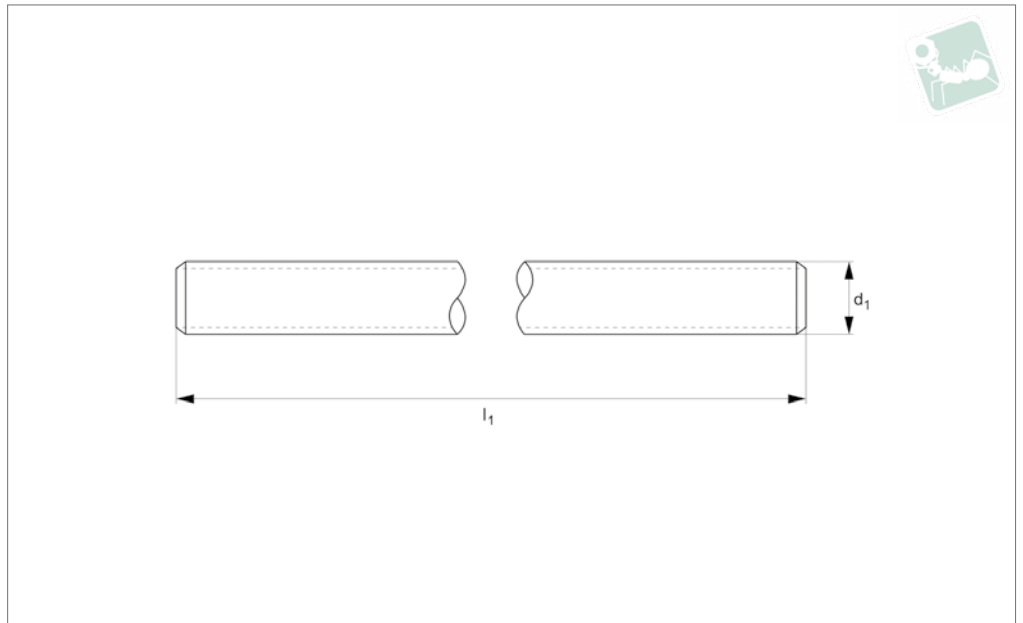
Technical Notes

Prevailing torque

Order No.	h_1	h_2	A/F	Thread d_1
A0504.050	5.0	3.2	8.0	M 5
A0504.030	4.0	2.4	5.5	M 3
A0504.040	5.0	2.9	7.0	M 4
A0504.060	6.0	4.0	10	M 6
A0504.080	8.0	5.5	13	M 8
A0504.100	10	6.5	17	M10
A0504.120	12	8.0	19	M12
A0504.160	16	10.5	24	M16



A0491.A6



Material

Aluminium standard grade.

Technical Notes

Threaded Studs Aluminium 6061.

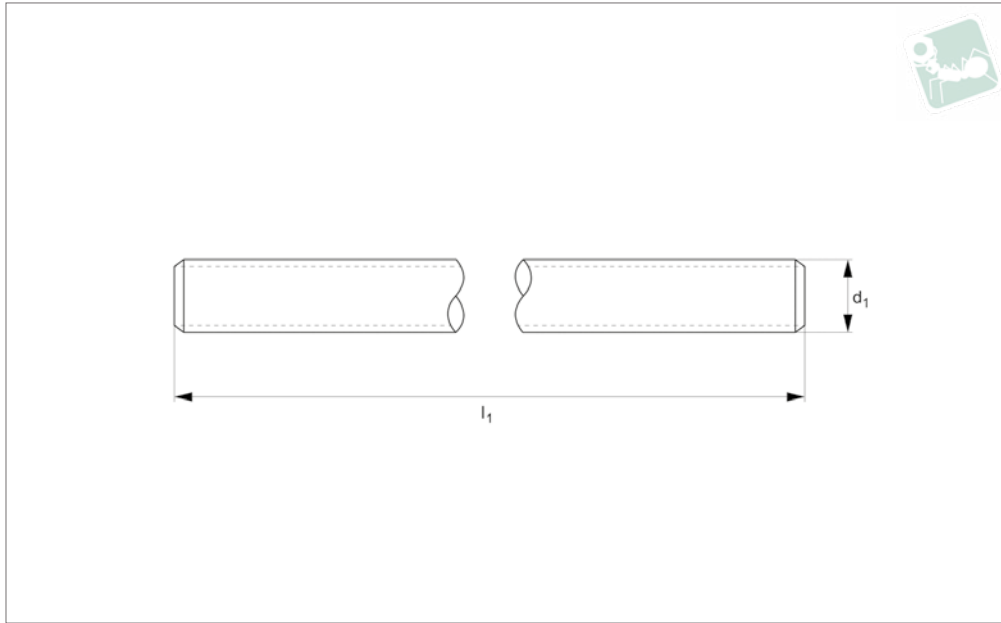
Order No.	Thread d_1	l_1	Material	Finish
A0491.030-A6	M 3	1000	Aluminium	unfinished
A0491.040-A6	M 4	1000	Aluminium	unfinished
A0491.050-A6	M 5	1000	Aluminium	unfinished
A0491.060-A6	M 6	1000	Aluminium	unfinished
A0491.080-A6	M 8	1000	Aluminium	unfinished
A0491.100-A6	M10	1000	Aluminium	unfinished
A0491.120-A6	M12	1000	Aluminium	unfinished



Threaded Studs Aluminium

high tensile

Aluminium



A0491.A7

ALUMINIUM

Material

Aluminium high tensile.

Technical Notes

Threaded Studs Aluminium 7075

Order No.	Thread d_1	l_1	Material	Finish
A0491.060-A7	M 6	1000	Aluminium	unfinished
A0491.080-A7	M 8	1000	Aluminium	unfinished
A0491.100-A7	M10	1000	Aluminium	unfinished
A0491.120-A7	M12	1000	Aluminium	unfinished
A0491.160-A7	M16	1000	Aluminium	unfinished