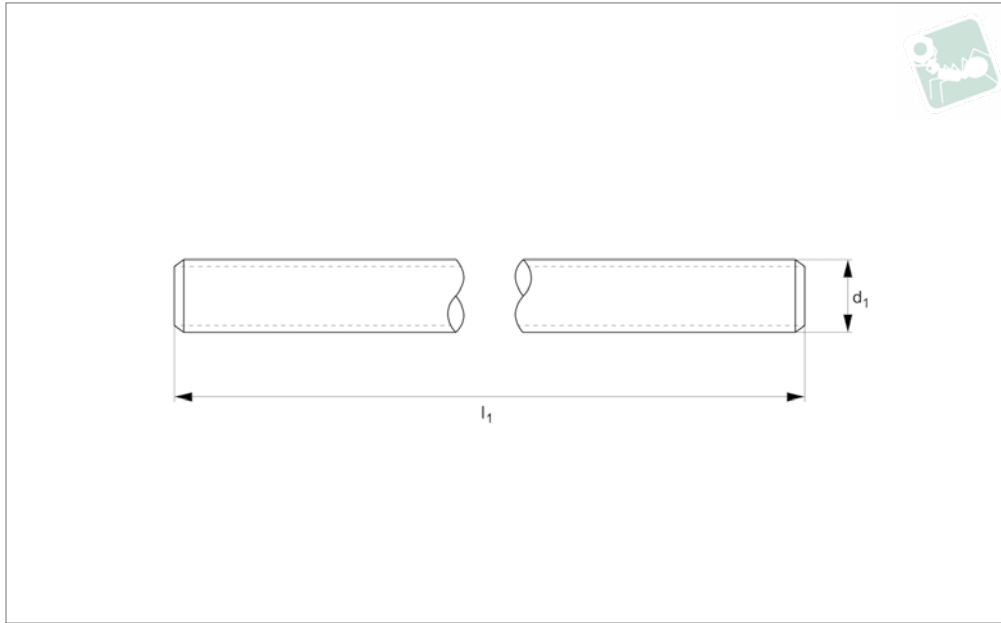




Threaded Studs Aluminium standard

Aluminium



A0491.A6

ALUMINIUM

Material

Aluminium standard grade.

Technical Notes

Threaded Studs Aluminium 6061.

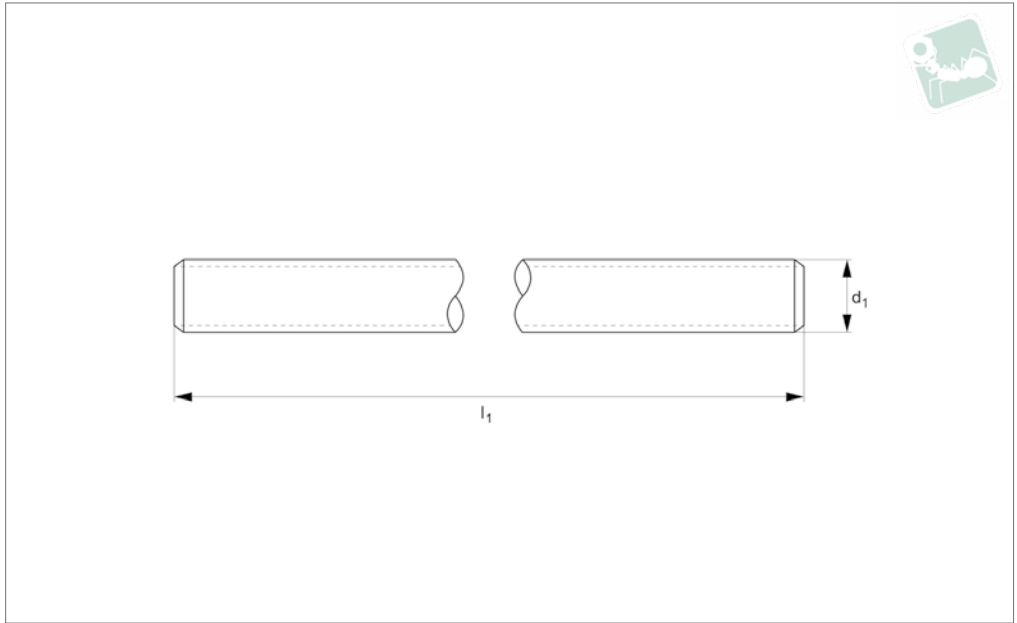
Order No.	Thread d_1	l_1	Material	Finish
A0491.030-A6	M 3	1000	Aluminium	unfinished
A0491.040-A6	M 4	1000	Aluminium	unfinished
A0491.050-A6	M 5	1000	Aluminium	unfinished
A0491.060-A6	M 6	1000	Aluminium	unfinished
A0491.080-A6	M 8	1000	Aluminium	unfinished
A0491.100-A6	M10	1000	Aluminium	unfinished
A0491.120-A6	M12	1000	Aluminium	unfinished



ALUMINIUM



A0491.A7



Material

Aluminium high tensile.

Technical Notes

Threaded Studs Aluminium 7075

Order No.	Thread d_1	l_1	Material	Finish
A0491.060-A7	M 6	1000	Aluminium	unfinished
A0491.080-A7	M 8	1000	Aluminium	unfinished
A0491.100-A7	M10	1000	Aluminium	unfinished
A0491.120-A7	M12	1000	Aluminium	unfinished
A0491.160-A7	M16	1000	Aluminium	unfinished