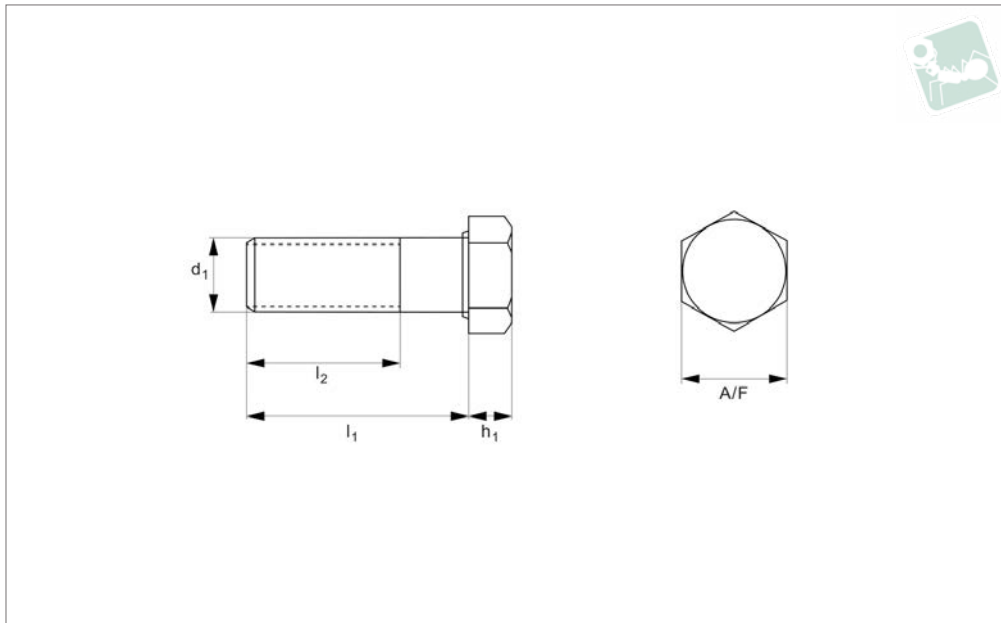




Hexagon Head Bolts

with shank, DIN 931

Brass



B0007.B0

BRASS

Material

Brass, Cu3 (CuZn39Pb3).

Technical Notes

To DIN 931, ISO 4014.

Order No.	Thread d ₁	l ₁	h ₁	l ₂	A/F
B0007.050-025	M 5	25	3.35	16	8
B0007.050-030	M 5	30	3.35	16	8
B0007.050-035	M 5	35	3.35	16	8
B0007.050-040	M 5	40	3.35	16	8
B0007.050-045	M 5	45	3.35	16	8
B0007.050-050	M 5	50	3.35	16	8
B0007.050-055	M 5	55	3.35	16	8
B0007.050-060	M 5	60	3.35	16	8
B0007.050-065	M 5	65	3.35	16	8
B0007.050-070	M 5	70	3.35	16	8
B0007.050-075	M 5	75	3.35	16	8
B0007.050-080	M 5	80	3.35	16	8
B0007.050-085	M 5	85	3.35	16	8
B0007.050-090	M 5	90	3.35	16	8
B0007.050-095	M 5	95	3.35	16	8
B0007.050-100	M 5	100	3.35	16	8
B0007.060-025	M 6	25	3.85	18	10
B0007.060-030	M 6	30	3.85	18	10
B0007.060-035	M 6	35	3.85	18	10
B0007.060-040	M 6	40	3.85	18	10
B0007.060-045	M 6	45	3.85	18	10
B0007.060-050	M 6	50	3.85	18	10
B0007.060-055	M 6	55	3.85	18	10
B0007.060-060	M 6	60	3.85	18	10
B0007.060-065	M 6	65	3.85	18	10
B0007.060-070	M 6	70	3.85	18	10
B0007.060-075	M 6	75	3.85	18	10
B0007.060-080	M 6	80	3.85	18	10
B0007.060-085	M 6	85	3.85	18	10
B0007.060-090	M 6	90	3.85	18	10
B0007.060-100	M 6	100	3.85	18	10
B0007.060-110	M 6	110	3.85	18	10
B0007.060-120	M 6	120	3.85	18	10
B0007.060-130	M 6	130	3.85	18	10
B0007.060-140	M 6	140	3.85	18	10



Order No.	Thread d ₁	l ₁	h ₁	l ₂	A/F
B0007.060-150	M 6	150	3.85	18	10
B0007.060-160	M 6	160	3.85	18	10
B0007.060-170	M 6	170	3.85	18	10
B0007.060-180	M 6	180	3.85	18	10
B0007.060-190	M 6	190	3.85	18	10
B0007.060-200	M 6	200	3.85	18	10
B0007.080-030	M 8	30	5.15	22	13
B0007.080-035	M 8	35	5.15	22	13
B0007.080-040	M 8	40	5.15	22	13
B0007.080-045	M 8	45	5.15	22	13
B0007.080-050	M 8	50	5.15	22	13
B0007.080-055	M 8	55	5.15	22	13
B0007.080-060	M 8	60	5.15	22	13
B0007.080-065	M 8	65	5.15	22	13
B0007.080-070	M 8	70	5.15	22	13
B0007.080-075	M 8	75	5.15	22	13
B0007.080-080	M 8	80	5.15	22	13
B0007.080-085	M 8	85	5.15	22	13
B0007.080-090	M 8	90	5.15	22	13
B0007.080-095	M 8	95	5.15	22	13
B0007.080-100	M 8	100	5.15	22	13
B0007.080-110	M 8	110	5.15	22	13
B0007.080-120	M 8	120	5.15	22	13
B0007.080-130	M 8	130	5.15	22	13
B0007.080-140	M 8	140	5.15	22	13
B0007.080-150	M 8	150	5.15	22	13
B0007.080-160	M 8	160	5.15	22	13
B0007.080-170	M 8	170	5.15	22	13
B0007.080-180	M 8	180	5.15	22	13
B0007.080-190	M 8	190	5.15	22	13
B0007.080-200	M 8	200	5.15	22	13
B0007.080-210	M 8	210	5.15	22	13
B0007.080-220	M 8	220	5.15	22	13
B0007.080-230	M 8	230	5.15	22	13
B0007.100-035	M10	35	6.22	26	17
B0007.100-040	M10	40	6.22	26	17
B0007.100-045	M10	45	6.22	26	17
B0007.100-050	M10	50	6.22	26	17
B0007.100-055	M10	55	6.22	26	17
B0007.100-060	M10	60	6.22	26	17
B0007.100-065	M10	65	6.22	26	17
B0007.100-070	M10	70	6.22	26	17
B0007.100-075	M10	75	6.22	26	17
B0007.100-080	M10	80	6.22	26	17
B0007.100-085	M10	85	6.22	26	17
B0007.100-090	M10	90	6.22	26	17
B0007.100-095	M10	95	6.22	26	17
B0007.100-100	M10	100	6.22	26	17
B0007.100-110	M10	110	6.22	26	17
B0007.100-120	M10	120	6.22	26	17
B0007.100-130	M10	130	6.22	26	17
B0007.100-140	M10	140	6.22	26	17
B0007.100-150	M10	150	6.22	26	17
B0007.100-160	M10	160	6.22	26	17
B0007.100-170	M10	170	6.22	26	17
B0007.100-180	M10	180	6.22	26	17
B0007.100-190	M10	190	6.22	26	17
B0007.100-200	M10	200	6.22	26	17
B0007.100-210	M10	210	6.22	26	17
B0007.100-220	M10	220	6.22	26	17
B0007.100-230	M10	230	6.22	26	17
B0007.100-240	M10	240	6.22	26	17
B0007.100-250	M10	250	6.22	26	17
B0007.100-260	M10	260	6.22	26	17
B0007.100-270	M10	270	6.22	26	17
B0007.100-280	M10	280	6.22	26	17
B0007.100-290	M10	290	6.22	26	17
B0007.100-300	M10	300	6.22	26	17
B0007.100-310	M10	310	6.22	26	17

Hexagon Head Bolts

with shank, DIN 931

Brass



Order No.	Thread d ₁	l ₁	h ₁	l ₂	A/F
B0007.100-320	M10	320	6.22	26	17
B0007.100-340	M10	340	6.22	26	17
B0007.100-360	M10	360	6.22	26	17
B0007.100-380	M10	380	6.22	26	17
B0007.100-400	M10	400	6.22	26	17
B0007.100-420	M10	420	6.22	26	17
B0007.100-440	M10	440	6.22	26	17
B0007.100-460	M10	460	6.22	26	17
B0007.100-480	M10	480	6.22	26	17
B0007.100-500	M10	500	6.22	26	17
B0007.120-040	M12	40	7.32	30	19
B0007.120-045	M12	45	7.32	30	19
B0007.120-050	M12	50	7.32	30	19
B0007.120-055	M12	55	7.32	30	19
B0007.120-060	M12	60	7.32	30	19
B0007.120-065	M12	65	7.32	30	19
B0007.120-070	M12	70	7.32	30	19
B0007.120-075	M12	75	7.32	30	19
B0007.120-080	M12	80	7.32	30	19
B0007.120-085	M12	85	7.32	30	19
B0007.120-090	M12	90	7.32	30	19
B0007.120-095	M12	95	7.32	30	19
B0007.120-110	M12	110	7.32	30	19
B0007.120-120	M12	120	7.32	30	19
B0007.120-130	M12	130	7.32	30	19
B0007.120-140	M12	140	7.32	30	19
B0007.120-150	M12	150	7.32	30	19
B0007.120-160	M12	160	7.32	30	19
B0007.120-170	M12	170	7.32	30	19
B0007.120-180	M12	180	7.32	30	19
B0007.120-190	M12	190	7.32	30	19
B0007.120-200	M12	200	7.32	30	19
B0007.120-210	M12	210	7.32	30	19
B0007.120-220	M12	220	7.32	30	19
B0007.120-230	M12	230	7.32	30	19
B0007.120-240	M12	240	7.32	30	19
B0007.120-250	M12	250	7.32	30	19
B0007.120-260	M12	260	7.32	30	19
B0007.120-270	M12	270	7.32	30	19
B0007.120-280	M12	280	7.32	30	19
B0007.120-290	M12	290	7.32	30	19
B0007.120-300	M12	300	7.32	30	19
B0007.120-320	M12	320	7.32	30	19
B0007.120-340	M12	340	7.32	30	19
B0007.120-360	M12	360	7.32	30	19
B0007.120-380	M12	380	7.32	30	19
B0007.120-400	M12	400	7.32	30	19
B0007.120-420	M12	420	7.32	30	19
B0007.120-440	M12	440	7.32	30	19
B0007.120-460	M12	460	7.32	30	19
B0007.120-480	M12	480	7.32	30	19
B0007.120-500	M12	500	7.32	30	19
B0007.140-050	M14	50	8.62	34	22
B0007.140-055	M14	55	8.62	34	22
B0007.140-060	M14	60	8.62	34	22
B0007.140-065	M14	65	8.62	34	22
B0007.140-070	M14	70	8.62	34	22
B0007.140-075	M14	75	8.62	34	22
B0007.140-080	M14	80	8.62	34	22
B0007.140-085	M14	85	8.62	34	22
B0007.140-090	M14	90	8.62	34	22
B0007.140-095	M14	95	8.62	34	22
B0007.140-100	M14	100	8.62	34	22
B0007.140-110	M14	110	8.62	34	22
B0007.140-120	M14	120	8.62	34	22
B0007.140-130	M14	130	8.62	34	22
B0007.140-140	M14	140	8.62	34	22
B0007.140-150	M14	150	8.62	34	22
B0007.140-160	M14	160	8.62	34	22

BRASS



Order No.	Thread d ₁	l ₁	h ₁	l ₂	A/F
B0007.140-170	M14	170	8.62	34	22
B0007.140-180	M14	180	8.62	34	22
B0007.140-190	M14	190	8.62	34	22
B0007.140-200	M14	200	8.62	34	22
B0007.140-210	M14	210	8.62	34	22
B0007.140-220	M14	220	8.62	34	22
B0007.140-230	M14	230	8.62	34	22
B0007.140-240	M14	240	8.62	34	22
B0007.140-250	M14	250	8.62	34	22
B0007.140-260	M14	260	8.62	34	22
B0007.140-270	M14	270	8.62	34	22
B0007.140-280	M14	280	8.62	34	22
B0007.160-050	M16	50	9.82	38	24
B0007.160-055	M16	55	9.82	38	24
B0007.160-060	M16	60	9.82	38	24
B0007.160-065	M16	65	9.82	38	24
B0007.160-070	M16	70	9.82	38	24
B0007.160-075	M16	75	9.82	38	24
B0007.160-080	M16	80	9.82	38	24
B0007.160-085	M16	85	9.82	38	24
B0007.160-090	M16	90	9.82	38	24
B0007.160-095	M16	95	9.82	38	24
B0007.160-100	M16	100	9.82	38	24
B0007.160-110	M16	110	9.82	38	24
B0007.160-120	M16	120	9.82	38	24
B0007.160-130	M16	130	9.82	38	24
B0007.160-140	M16	140	9.82	38	24
B0007.160-150	M16	150	9.82	38	24
B0007.160-160	M16	160	9.82	38	24
B0007.160-170	M16	170	9.82	38	24
B0007.160-180	M16	180	9.82	38	24
B0007.160-190	M16	190	9.82	38	24
B0007.160-200	M16	200	9.82	38	24
B0007.160-210	M16	210	9.82	38	24
B0007.160-220	M16	220	9.82	38	24
B0007.160-230	M16	230	9.82	38	24
B0007.160-240	M16	240	9.82	38	24
B0007.160-250	M16	250	9.82	38	24
B0007.160-260	M16	260	9.82	38	24
B0007.160-270	M16	270	9.82	38	24
B0007.160-280	M16	280	9.82	38	24
B0007.160-290	M16	290	9.82	38	24
B0007.160-300	M16	300	9.82	38	24
B0007.160-320	M16	320	9.82	38	24
B0007.160-340	M16	340	9.82	38	24
B0007.160-360	M16	360	9.82	38	24
B0007.160-380	M16	380	9.82	38	24
B0007.160-400	M16	400	9.82	38	24
B0007.160-420	M16	420	9.82	38	24
B0007.160-440	M16	440	9.82	38	24
B0007.160-460	M16	460	9.82	38	24
B0007.160-480	M16	480	9.82	38	24
B0007.160-500	M16	500	9.82	38	24
B0007.180-060	M18	60	11.28	42	27
B0007.180-065	M18	65	11.28	42	27
B0007.180-070	M18	70	11.28	42	27
B0007.180-075	M18	75	11.28	42	27
B0007.180-080	M18	80	11.28	42	27
B0007.180-085	M18	85	11.28	42	27
B0007.180-090	M18	90	11.28	42	27
B0007.180-095	M18	95	11.28	42	27
B0007.180-100	M18	100	11.28	42	27
B0007.180-110	M18	110	11.28	42	27
B0007.180-120	M18	120	11.28	42	27
B0007.180-130	M18	130	11.28	42	27
B0007.180-140	M18	140	11.28	42	27
B0007.180-150	M18	150	11.28	42	27
B0007.180-160	M18	160	11.28	42	27
B0007.180-170	M18	170	11.28	42	27

Hexagon Head Bolts

with shank, DIN 931

Brass



Order No.	Thread d ₁	l ₁	h ₁	l ₂	A/F
B0007.180-180	M18	180	11.28	42	27
B0007.180-190	M18	190	11.28	42	27
B0007.180-200	M18	200	11.28	42	27
B0007.180-210	M18	210	11.28	42	27
B0007.180-220	M18	220	11.28	42	27
B0007.180-230	M18	230	11.28	42	27
B0007.180-240	M18	240	11.28	42	27
B0007.180-250	M18	250	11.28	42	27
B0007.180-260	M18	260	11.28	42	27
B0007.180-270	M18	270	11.28	42	27
B0007.200-060	M20	60	12.28	46	30
B0007.200-065	M20	65	12.28	46	30
B0007.200-070	M20	70	12.28	46	30
B0007.200-075	M20	75	12.28	46	30
B0007.200-080	M20	80	12.28	46	30
B0007.200-085	M20	85	12.28	46	30
B0007.200-090	M20	90	12.28	46	30
B0007.200-095	M20	95	12.28	46	30
B0007.200-100	M20	100	12.28	46	30
B0007.200-110	M20	110	12.28	46	30
B0007.200-120	M20	120	12.28	46	30
B0007.200-130	M20	130	12.28	46	30
B0007.200-140	M20	140	12.28	46	30
B0007.200-150	M20	150	12.28	46	30
B0007.200-160	M20	160	12.28	46	30
B0007.200-170	M20	170	12.28	46	30
B0007.200-180	M20	180	12.28	46	30
B0007.200-190	M20	190	12.28	46	30
B0007.200-200	M20	200	12.28	46	30
B0007.200-210	M20	210	12.28	46	30
B0007.200-220	M20	220	12.28	46	30
B0007.200-230	M20	230	12.28	46	30
B0007.200-240	M20	240	12.28	46	30
B0007.200-250	M20	250	12.28	46	30
B0007.200-260	M20	260	12.28	46	30
B0007.200-270	M20	270	12.28	46	30
B0007.200-280	M20	280	12.28	46	30
B0007.200-290	M20	290	12.28	46	30
B0007.200-300	M20	300	12.28	46	30
B0007.200-320	M20	320	12.28	46	30
B0007.200-340	M20	340	12.28	46	30
B0007.200-360	M20	360	12.28	46	30
B0007.200-380	M20	380	12.28	46	30
B0007.200-400	M20	400	12.28	46	30
B0007.200-420	M20	420	12.28	46	30
B0007.200-440	M20	440	12.28	46	30
B0007.200-460	M20	460	12.28	46	30
B0007.200-480	M20	480	12.28	46	30
B0007.200-500	M20	500	12.28	46	30
B0007.220-070	M22	70	13.78	50	32
B0007.220-075	M22	75	13.78	50	32
B0007.220-080	M22	80	13.78	50	32
B0007.220-085	M22	85	13.78	50	32
B0007.220-090	M22	90	13.78	50	32
B0007.220-095	M22	95	13.78	50	32
B0007.220-100	M22	100	13.78	50	32
B0007.220-110	M22	110	13.78	50	32
B0007.220-120	M22	120	13.78	50	32
B0007.220-130	M22	130	13.78	50	32
B0007.220-140	M22	140	13.78	50	32
B0007.220-150	M22	150	13.78	50	32
B0007.220-160	M22	160	13.78	50	32
B0007.220-170	M22	170	13.78	50	32
B0007.220-180	M22	180	13.78	50	32
B0007.220-190	M22	190	13.78	50	32
B0007.220-200	M22	200	13.78	50	32
B0007.220-210	M22	210	13.78	50	32
B0007.220-220	M22	220	13.78	50	32
B0007.220-230	M22	230	13.78	50	32

BRASS



Order No.	Thread d ₁	l ₁	h ₁	l ₂	A/F
B0007.220-240	M22	240	13.78	50	32
B0007.220-250	M22	250	13.78	50	32
B0007.220-260	M22	260	13.78	50	32
B0007.220-270	M22	270	13.78	50	32
B0007.220-280	M22	280	13.78	50	32
B0007.240-070	M24	70	14.78	54	36
B0007.240-075	M24	75	14.78	54	36
B0007.240-080	M24	80	14.78	54	36
B0007.240-085	M24	85	14.78	54	36
B0007.240-090	M24	90	14.78	54	36
B0007.240-100	M24	100	14.78	54	36
B0007.240-110	M24	110	14.78	54	36
B0007.240-120	M24	120	14.78	54	36
B0007.240-130	M24	130	14.78	54	36
B0007.240-140	M24	140	14.78	54	36
B0007.240-150	M24	150	14.78	54	36
B0007.240-160	M24	160	14.78	54	36
B0007.240-170	M24	170	14.78	54	36
B0007.240-180	M24	180	14.78	54	36
B0007.240-190	M24	190	14.78	54	36
B0007.240-200	M24	200	14.78	54	36
B0007.240-210	M24	210	14.78	54	36
B0007.240-220	M24	220	14.78	54	36
B0007.240-230	M24	230	14.78	54	36
B0007.240-240	M24	240	14.78	54	36
B0007.240-250	M24	250	14.78	54	36
B0007.240-260	M24	260	14.78	54	36
B0007.240-270	M24	270	14.78	54	36
B0007.240-280	M24	280	14.78	54	36
B0007.240-290	M24	29	14.78	54	36
B0007.240-300	M24	300	14.78	54	36
B0007.240-320	M24	320	14.78	54	36
B0007.240-340	M24	340	14.78	54	36
B0007.240-360	M24	360	14.78	54	36
B0007.240-380	M24	380	14.78	54	36
B0007.240-400	M24	400	14.78	54	36
B0007.240-420	M24	420	14.78	54	36
B0007.240-440	M24	440	14.78	54	36
B0007.240-460	M24	460	14.78	54	36
B0007.240-480	M24	480	14.78	54	36
B0007.240-500	M24	500	14.78	54	36
B0007.270-080	M27	80	16.65	60	41
B0007.270-085	M27	85	16.65	60	41
B0007.270-090	M27	90	16.65	60	41
B0007.270-095	M27	95	16.65	60	41
B0007.270-100	M27	100	16.65	60	41
B0007.270-110	M27	110	16.65	60	41
B0007.270-120	M27	120	16.65	60	41
B0007.270-130	M27	130	16.65	60	41
B0007.270-140	M27	140	16.65	60	41
B0007.270-150	M27	150	16.65	60	41
B0007.270-160	M27	160	16.65	60	41
B0007.270-170	M27	170	16.65	60	41
B0007.270-180	M27	180	16.65	60	41
B0007.270-190	M27	190	16.65	60	41
B0007.270-200	M27	200	16.65	60	41
B0007.270-210	M27	210	16.65	60	41
B0007.270-220	M27	220	16.65	60	41
B0007.270-230	M27	230	16.65	60	41
B0007.270-240	M27	240	16.65	60	41
B0007.270-250	M27	250	16.65	60	41
B0007.270-260	M27	260	16.65	60	41
B0007.270-270	M27	270	16.65	60	41
B0007.270-280	M27	280	16.65	60	41
B0007.270-290	M27	290	16.65	60	41
B0007.270-300	M27	300	16.65	60	41
B0007.270-320	M27	320	16.65	60	41
B0007.270-340	M27	340	16.65	60	41
B0007.300-080	M30	80	18.28	66	46



Hexagon Head Bolts

with shank, DIN 931

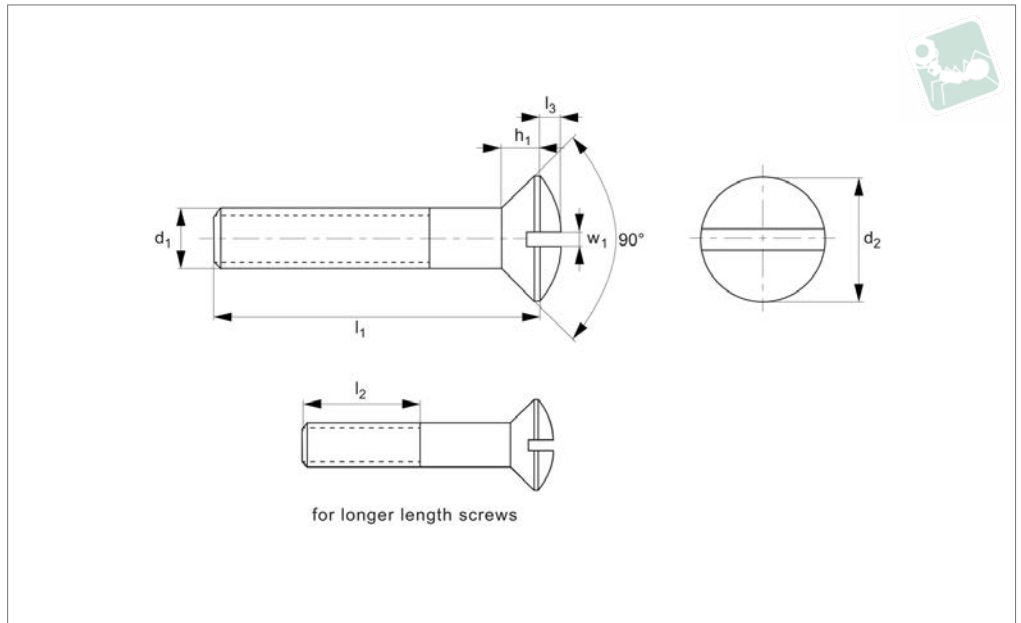
Brass

Order No.	Thread d ₁	l ₁	h ₁	l ₂	A/F
B0007.300-085	M30	85	18.28	66	46
B0007.300-090	M30	90	18.28	66	46
B0007.300-095	M30	95	18.28	66	46
B0007.300-100	M30	100	18.28	66	46
B0007.300-110	M30	110	18.28	66	46
B0007.300-120	M30	120	18.28	66	46
B0007.300-130	M30	130	18.28	66	46
B0007.300-140	M30	140	18.28	66	46
B0007.300-150	M30	150	18.28	66	46
B0007.300-160	M30	160	18.28	66	46
B0007.300-170	M30	170	18.28	66	46
B0007.300-180	M30	180	18.28	66	46
B0007.300-190	M30	190	18.28	66	46
B0007.300-200	M30	200	18.28	66	46
B0007.300-210	M30	210	18.28	66	46
B0007.300-220	M30	220	18.28	66	46
B0007.300-230	M30	230	18.28	66	46
B0007.300-240	M30	240	18.28	66	46
B0007.300-250	M30	250	18.28	66	46
B0007.300-260	M30	260	18.28	66	46
B0007.300-270	M30	270	18.28	66	46
B0007.300-280	M30	280	18.28	66	46
B0007.300-290	M30	290	18.28	66	46
B0007.300-300	M30	300	18.28	66	46
B0007.330-090	M33	90	20.58	72	50
B0007.330-095	M33	95	20.58	72	50
B0007.330-100	M33	100	20.58	72	50
B0007.330-110	M33	110	20.58	72	50
B0007.330-120	M33	120	20.58	72	50
B0007.330-130	M33	130	20.58	72	50
B0007.330-140	M33	140	20.58	72	50
B0007.330-150	M33	150	20.58	72	50
B0007.330-160	M33	160	20.58	72	50
B0007.330-170	M33	170	20.58	72	50
B0007.330-180	M33	180	20.58	72	50
B0007.330-190	M33	190	20.58	72	50
B0007.330-200	M33	200	20.58	72	50
B0007.330-210	M33	210	20.58	72	50
B0007.330-220	M33	220	20.58	72	50
B0007.330-230	M33	230	20.58	72	50
B0007.330-240	M33	240	20.58	72	50
B0007.330-250	M33	250	20.58	72	50
B0007.330-260	M33	260	20.58	72	50
B0007.330-270	M33	270	20.58	72	50
B0007.330-280	M33	280	20.58	72	50
B0007.360-100	M36	100	22.08	78	55
B0007.360-110	M36	110	22.08	78	55
B0007.360-120	M36	120	22.08	78	55
B0007.360-130	M36	130	22.08	78	55
B0007.360-140	M36	140	22.08	78	55
B0007.360-150	M36	150	22.08	78	55
B0007.360-160	M36	160	22.08	78	55
B0007.360-170	M36	170	22.08	78	55
B0007.360-180	M36	180	22.08	78	55
B0007.360-190	M36	190	22.08	78	55
B0007.360-200	M36	200	22.08	78	55
B0007.360-210	M36	210	22.08	78	55
B0007.360-220	M36	220	22.08	78	55
B0007.360-230	M36	230	22.08	78	55
B0007.360-240	M36	240	22.08	78	55
B0007.360-250	M36	250	22.08	78	55
B0007.360-260	M36	260	22.08	78	55
B0007.360-270	M36	270	22.08	78	55
B0007.360-280	M36	280	22.08	78	55

BRASS



B0022.B0



Material

Brass, Cu3 (Cuzn39Pb3).

lengths the threads goes all the way to the head of the screw (i.e. $l_1 = l_2$) less 2.5 thread pitches.

portion $l_2 < l_1$.

Technical Notes

To DIN 964. For the majority of screw

For longer length screws the threaded

Order No.	d ₁	l ₁	d ₂	h ₁	l ₂	w
B0022.020-005	M 2	5	3	1.20	0.32	2.5
B0022.020-010	M 2	10	3	1.20	0.32	2.5
B0022.025-008	M2,5	8	3.8	1.2	0.4	3.0
B0022.030-004	M 3	4	4.7	1.5	0.5	3.0
B0022.030-005	M 3	5	4.7	1.5	0.5	3.0
B0022.030-006	M 3	6	4.7	1.5	0.5	3.0
B0022.030-008	M 3	8	4.7	1.5	0.5	3.0
B0022.030-010	M 3	10	4.7	1.5	0.5	-
B0022.030-012	M 3	12	4.7	1.5	0.5	4.0
B0022.030-016	M 3	16	4.7	1.5	0.5	4.0
B0022.030-020	M 3	20	4.7	1.5	0.5	4.0
B0022.030-025	M 3	25	4.7	1.5	0.5	4.0
B0022.030-030	M 3	30	4.7	1.5	0.5	4.0
B0022.040-005	M 4	5	7.5	2.2	0.8	4.0
B0022.040-006	M 4	6	7.5	2.2	0.8	4.0
B0022.040-008	M 4	8	7.5	2.2	0.8	4.0
B0022.040-010	M 4	10	7.5	2.2	0.8	4.0
B0022.040-012	M 4	12	7.5	2.2	0.8	4.0
B0022.040-016	M 4	16	7.5	2.2	0.8	4.0
B0022.040-020	M 4	20	7.5	2.2	0.8	4.0
B0022.040-025	M 4	25	7.5	2.2	0.8	-
B0022.040-030	M 4	30	7.5	2.2	0.8	5.0
B0022.040-035	M 4	35	7.5	2.2	0.8	5.0
B0022.040-040	M 4	40	7.5	2.2	0.8	5.0
B0022.050-008	M 5	8	9.2	2.5	1.0	5.0
B0022.050-010	M 5	10	9.2	2.5	1.0	5.0
B0022.050-012	M 5	12	9.2	2.5	1.0	5.0
B0022.050-016	M 5	16	9.2	2.5	1.0	-
B0022.050-020	M 5	20	9.2	2.5	1.0	6.0
B0022.050-025	M 5	25	9.2	2.5	1.0	6.0
B0022.050-030	M 5	30	9.2	2.5	1.0	6.0
B0022.050-035	M 5	35	9.2	2.5	1.0	6.0
B0022.050-040	M 5	40	9.2	2.5	1.0	6.0
B0022.060-010	M 6	10	11	3.0	1.2	6.0



Slotted Raised Csk Head Screws

DIN 964

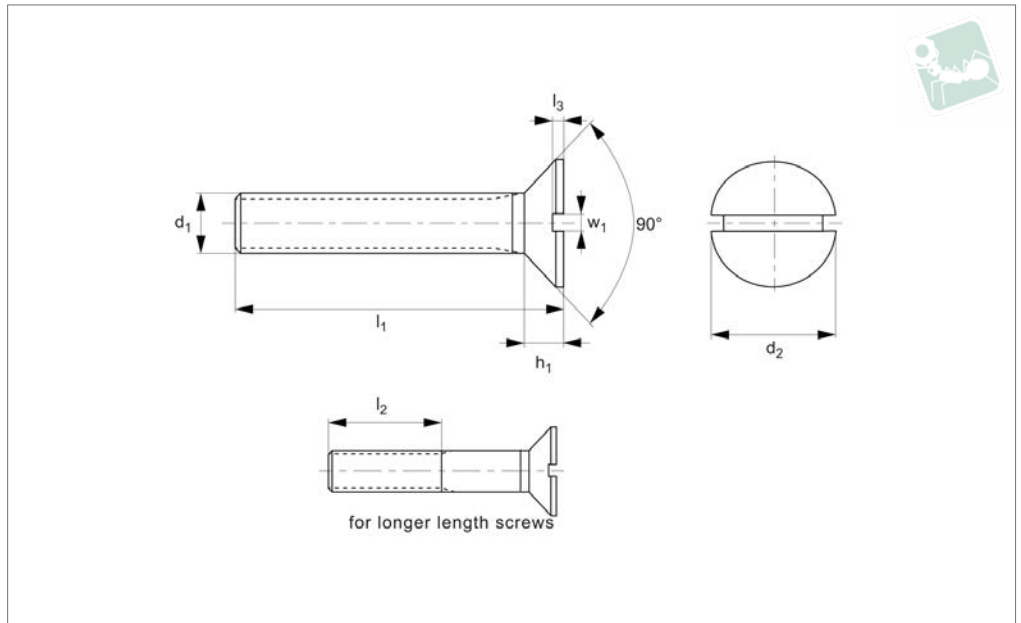
Brass

Order No.	d ₁	l ₁	d ₂	h ₁	l ₂	w
B0022.060-012	M 6	12	11	3.0	1.2	-
B0022.060-016	M 6	16	11	3.0	1.2	8.0
B0022.060-020	M 6	20	11	3.0	1.2	8.0
B0022.060-025	M 6	25	11	3.0	1.2	8.0
B0022.060-030	M 6	30	11	3.0	1.2	8.0
B0022.060-035	M 6	35	11	3.0	1.2	8.0
B0022.060-040	M 6	40	11	3.0	1.2	8.0

BRASS



B0023.B0



Material

Brass, Cu3 (Cuzn39Pb3).

lengths the threads goes all the way to the head of the screw (i.e. $l_1 = l_2$) less 2.5 thread pitches.

portion $l_2 < l_1$.

Technical Notes

To DIN 963. For the majority of screw

For longer length screws the threaded

Order No.	d ₁	l ₁	d ₂	l ₂	l ₃	h	w
B0023.020-004	M 2	4	3.8	-	0.40	10.0	0.5
B0023.020-005	M 2	5	3.8	-	0.40	10.0	0.5
B0023.020-006	M 2	6	3.8	-	0.40	-	0.5
B0023.020-008	M 2	8	3.8	-	0.40	w	0.5
B0023.020-010	M 2	10	3.8	-	0.40	0.4	0.5
B0023.025-004	M2,5	4	4.7	-	0.50	1.50	0.6
B0023.025-005	M2,5	5	4.7	-	0.50	1.50	0.6
B0023.025-006	M2,5	6	4.7	-	0.50	1.50	0.6
B0023.025-008	M2,5	8	4.7	-	0.50	1.50	0.6
B0023.025-010	M2,5	10	4.7	-	0.50	1.50	0.6
B0023.025-012	M2,5	12	4.7	-	0.50	1.50	0.6
B0023.025-016	M2,5	16	4.7	-	0.50	1.50	0.6
B0023.030-004	M 3	4	5.6	-	0.60	1.65	0.8
B0023.030-005	M 3	5	5.6	-	0.60	1.65	0.8
B0023.030-006	M 3	6	5.6	-	0.60	1.65	0.8
B0023.030-008	M 3	8	5.6	-	0.60	1.65	0.8
B0023.030-010	M 3	10	5.6	-	0.60	1.65	0.8
B0023.030-012	M 3	12	5.6	-	0.60	1.65	0.8
B0023.030-016	M 3	16	5.6	-	0.60	1.65	0.8
B0023.030-018	M 3	18	5.6	-	0.60	1.65	0.8
B0023.030-020	M 3	20	5.6	19	0.60	1.65	0.8
B0023.030-025	M 3	25	5.6	19	0.60	1.65	0.8
B0023.030-030	M 3	30	5.6	19	0.60	1.65	0.8
B0023.030-035	M 3	35	5.6	19	0.60	1.65	0.8
B0023.030-040	M 3	35	5.6	19	0.60	1.65	0.8
B0023.030-045	M 3	35	5.6	19	0.60	1.65	0.8
B0023.030-050	M 3	35	5.6	19	0.60	1.65	0.8
B0023.040-005	M 4	5	7.5	-	0.80	2.20	1.0
B0023.040-006	M 4	6	7.5	-	0.80	2.20	1.0
B0023.040-008	M 4	8	7.5	-	0.80	2.20	1.0
B0023.040-010	M 4	10	7.5	-	0.80	2.20	1.0
B0023.040-012	M 4	12	7.5	-	0.80	2.20	1.0
B0023.040-016	M 4	16	7.5	-	0.80	2.20	1.0
B0023.040-018	M 4	18	7.5	-	0.80	2.20	1.0



Slotted Flat Head Csk Screws

DIN 963

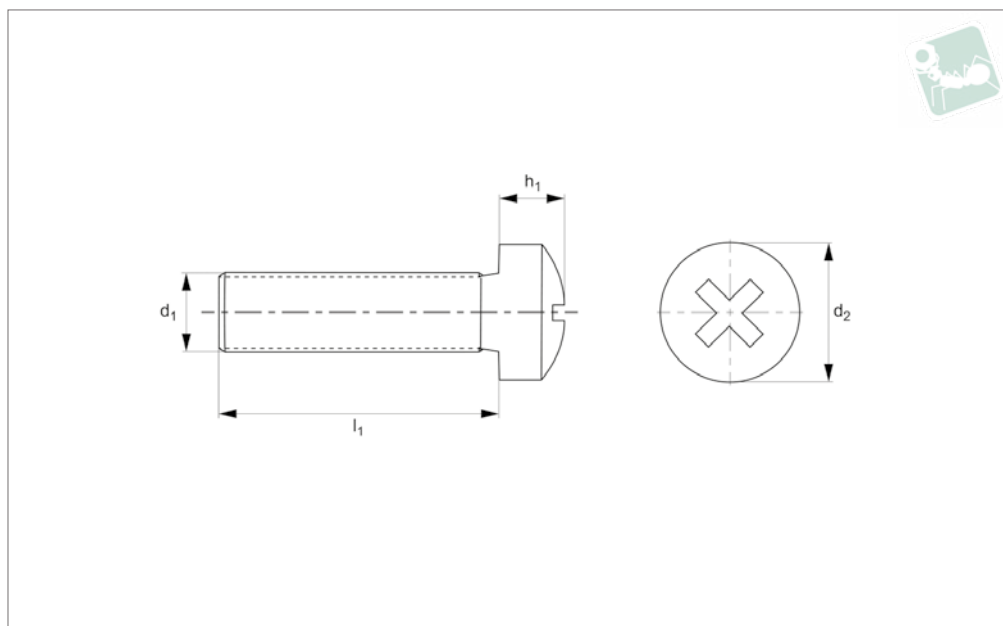
Brass

Order No.	d ₁	l ₁	d ₂	l ₂	l ₃	h	w
B0023.040-020	M 4	20	7.5	-	0.80	2.20	1.0
B0023.040-025	M 4	25	7.5	22	0.80	2.20	1.0
B0023.040-030	M 4	30	7.5	22	0.80	2.20	1.0
B0023.040-035	M 4	35	7.5	22	0.80	2.20	1.0
B0023.040-040	M 4	40	7.5	22	0.80	2.20	1.0
B0023.040-045	M 4	45	7.5	22	0.80	2.20	1.0
B0023.040-050	M 4	50	7.5	22	0.80	2.20	1.0
B0023.050-008	M 5	8	9.2	-	1.00	2.50	1.2
B0023.050-010	M 5	10	9.2	-	1.00	2.50	1.2
B0023.050-012	M 5	12	9.2	-	1.00	2.50	1.2
B0023.050-016	M 5	16	9.2	-	1.00	2.50	1.2
B0023.050-018	M 5	18	9.2	-	1.00	2.50	1.2
B0023.050-020	M 5	20	9.2	-	1.00	2.50	1.2
B0023.050-025	M 5	25	9.2	25	1.00	2.50	1.2
B0023.050-030	M 5	30	9.2	25	1.00	2.50	1.2
B0023.050-035	M 5	35	9.2	25	1.00	2.50	1.2
B0023.050-040	M 5	40	9.2	25	1.00	2.50	1.2
B0023.050-045	M 5	45	9.2	25	1.00	2.50	1.2
B0023.050-050	M 5	50	9.2	25	1.00	2.50	1.2
B0023.050-060	M 5	60	9.2	25	1.00	2.50	1.2
B0023.050-070	M 5	70	9.2	25	1.00	2.50	1.2
B0023.050-080	M 5	80	9.2	25	1.00	2.50	1.2
B0023.050-090	M 5	90	9.2	25	1.00	2.50	1.2
B0023.050-100	M 5	100	9.2	25	1.00	2.50	1.2
B0023.060-008	M 6	8	11.0	-	1.20	3.00	1.6
B0023.060-010	M 6	10	11.0	-	1.20	3.00	1.6
B0023.060-012	M 6	12	11.0	-	1.20	3.00	1.6
B0023.060-016	M 6	16	11.0	-	1.20	3.00	1.6
B0023.060-018	M 6	18	11.0	-	1.20	3.00	1.6
B0023.060-020	M 6	20	11.0	-	1.20	3.00	1.6
B0023.060-025	M 6	25	11.0	-	1.20	3.00	1.6
B0023.060-030	M 6	30	11.0	28	1.20	3.00	1.6
B0023.060-035	M 6	35	11.0	28	1.20	3.00	1.6
B0023.060-040	M 6	40	11.0	28	1.20	3.00	1.6
B0023.060-045	M 6	45	11.0	28	1.20	3.00	1.6
B0023.060-050	M 6	50	11.0	28	1.20	3.00	1.6
B0023.060-060	M 6	60	11.0	28	1.20	3.00	1.6
B0023.060-070	M 6	70	11.0	28	1.20	3.00	1.6
B0023.060-080	M 6	80	11.0	28	1.20	3.00	1.6
B0023.060-090	M 6	90	11.0	28	1.20	3.00	1.6
B0023.060-100	M 6	100	11.0	28	1.20	3.00	1.6
B0023.080-012	M 8	12	14.5	-	1.60	4.0	2.0
B0023.080-016	M 8	16	14.5	-	1.60	4.0	2.0
B0023.080-018	M 8	18	14.5	-	1.60	4.0	2.0
B0023.080-020	M 8	20	14.5	-	1.60	4.0	2.0
B0023.080-025	M 8	25	14.5	-	1.60	4.0	2.0
B0023.080-030	M 8	30	14.5	-	1.60	4.0	2.0
B0023.080-035	M 8	35	14.5	34	1.60	4.0	2.0
B0023.080-040	M 8	40	14.5	34	1.60	4.0	2.0
B0023.080-045	M 8	45	14.5	34	1.60	4.0	2.0
B0023.080-050	M 8	50	14.5	34	1.60	4.0	2.0
B0023.080-060	M 8	60	14.5	34	1.60	4.0	2.0
B0023.080-070	M 8	70	14.5	34	1.60	4.0	2.0
B0023.080-080	M 8	80	14.5	34	1.60	4.0	2.0
B0023.080-090	M 8	90	14.5	34	1.60	4.0	2.0
B0023.100-020	M10	20	18.0	-	2.00	5.0	2.5
B0023.100-025	M10	25	18.0	-	2.00	5.0	2.5
B0023.100-030	M10	30	18.0	-	2.00	5.0	2.5
B0023.100-035	M10	35	18.0	-	2.00	5.0	2.5
B0023.100-040	M10	40	18.0	40	2.00	5.0	2.5
B0023.100-045	M10	45	18.0	40	2.00	5.0	2.5
B0023.100-050	M10	50	18.0	40	2.00	5.0	2.5
B0023.100-060	M10	60	18.0	40	2.00	5.0	2.5
B0023.100-070	M10	70	18.0	40	2.00	5.0	2.5
B0023.100-080	M10	80	18.0	40	2.00	5.0	2.5
B0023.100-090	M10	90	18.0	40	2.00	5.0	2.5
B0023.120-016	M12	16	22.0	-	2.40	6.0	3.0
B0023.120-018	M12	18	22.0	-	2.40	6.0	3.0
B0023.120-020	M12	20	22.0	-	2.40	6.0	3.0

BRASS



Order No.	d ₁	l ₁	d ₂	l ₂	l ₃	h	w
B0023.120-025	M12	25	22.0	-	2.40	6.0	3.0
B0023.120-030	M12	30	22.0	-	2.40	6.0	3.0
B0023.120-035	M12	35	22.0	-	2.40	6.0	3.0
B0023.120-040	M12	40	22.0	-	2.40	6.0	3.0
B0023.120-045	M12	45	22.0	46	2.40	6.0	3.0
B0023.120-050	M12	50	22.0	46	2.40	6.0	3.0
B0023.120-060	M12	60	22.0	46	2.40	6.0	3.0
B0023.120-070	M12	70	22.0	46	2.40	6.0	3.0
B0023.120-080	M12	80	22.0	46	2.40	6.0	3.0
B0023.120-090	M12	90	22.0	46	2.40	6.0	3.0
B0023.120-100	M12	100	22.0	46	2.40	6.0	3.0



B0029.B0

BRASS

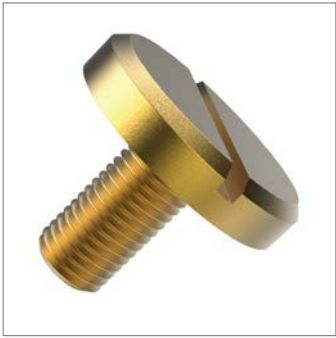
Material

Brass, Cu3 (CuZn39Pb3).

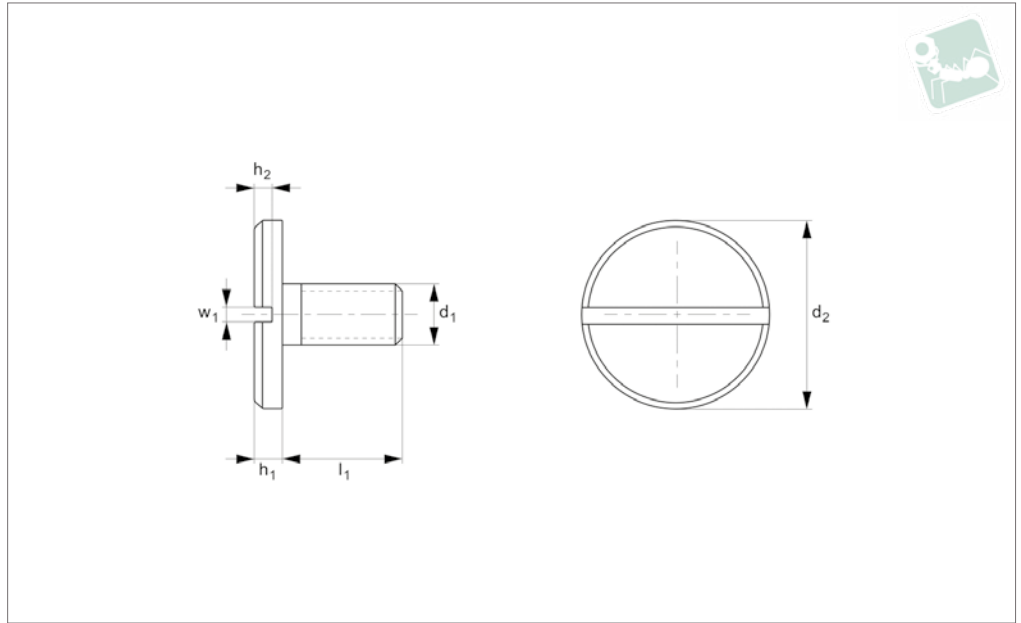
Technical Notes

Threaded within 2,5 x pitch of head.

Order No.	d ₁	l ₁	d ₂	h ₁	Size
B0029.030-006	M 3	6	6	2.4	PH-1
B0029.030-008	M 3	8	6	2.4	PH-1
B0029.030-010	M 3	10	6	2.4	PH-1
B0029.030-012	M 3	12	6	2.4	PH-1
B0029.040-006	M 4	6	6	3.1	PH-2
B0029.040-008	M 4	8	6	3.1	PH-2
B0029.040-010	M 4	10	6	3.1	PH-2
B0029.040-012	M 4	12	6	3.1	PH-2
B0029.040-016	M 4	16	6	3.1	PH-2
B0029.040-020	M 4	20	6	3.1	PH-2
B0029.050-008	M 5	8	6	3.8	PH-2
B0029.050-010	M 5	10	6	3.8	PH-2
B0029.050-012	M 5	12	6	3.8	PH-2
B0029.050-016	M 5	16	6	3.8	PH-2
B0029.050-020	M 5	20	6	3.8	PH-2
B0029.050-025	M 5	25	6	3.8	PH-2
B0029.060-010	M 6	10	6	4.6	PH-3
B0029.060-012	M 6	12	6	4.6	PH-3
B0029.060-016	M 6	16	6	4.6	PH-3
B0029.060-020	M 6	20	6	4.6	PH-3
B0029.060-025	M 6	25	6	4.6	PH-3
B0029.060-030	M 6	30	6	4.6	PH-3



B0001.B0



Material

Steel (zinc-plated), stainless steel (A2), or brass.

Technical Notes

To DIN 921.

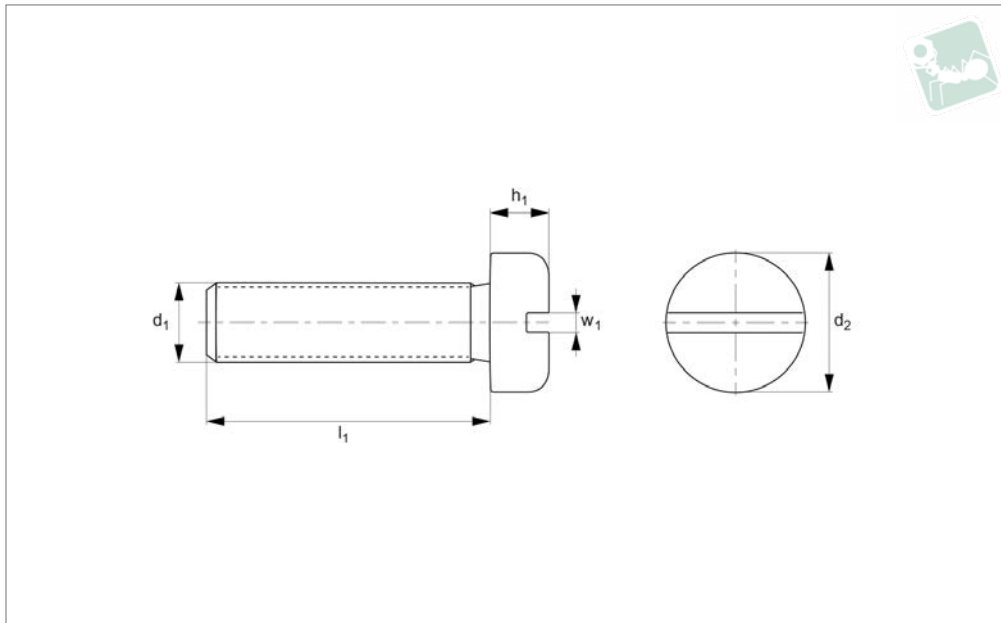
Order No.	d ₁	l ₁	d ₂	h ₁	h ₂	w ₁	Material
B0001.030-004	M 3	4	8	1.8	0.9	0.8	Brass
B0001.030005B000	M 3	5	8	1.8	0.9	0.8	Brass
B0001.030-006	M 3	6	8	1.8	0.9	0.8	Brass
B0001.030008B000	M 3	8	8	1.8	0.9	0.8	Brass
B0001.030010B000	M 3	10	8	1.8	0.9	0.8	Brass
B0001.040005B000	M 4	5	12	2.4	1.2	1.0	Brass
B0001.040006B000	M 4	6	12	2.4	1.2	1.0	Brass
B0001.040008B000	M 4	8	12	2.4	1.2	1.0	Brass
B0001.040010B000	M 4	10	12	2.4	1.2	1.0	Brass
B0001.040012B000	M 4	12	12	2.4	1.2	1.0	Brass
B0001.040016B000	M 4	16	12	2.4	1.2	1.0	Brass
B0001.050008B000	M 5	8	16	2.7	1.3	1.2	Brass
B0001.050010B000	M 5	10	16	2.7	1.3	1.2	Brass
B0001.050012B000	M 5	12	16	2.7	1.3	1.2	Brass
B0001.050016B000	M 5	16	16	2.7	1.3	1.2	Brass
B0001.050020B000	M 5	20	16	2.7	1.3	1.2	Brass
B0001.060010B000	M 6	10	20	3.1	1.5	1.6	Brass
B0001.060012B000	M 6	12	20	3.1	1.5	1.6	Brass
B0001.060016B000	M 6	16	20	3.1	1.5	1.6	Brass
B0001.060020B000	M 6	20	20	3.1	1.5	1.6	Brass
B0001.060025B000	M 6	25	20	3.1	1.5	1.6	Brass



Slotted Cheese Head Screws

DIN 84

Brass



B0025.B0

BRASS

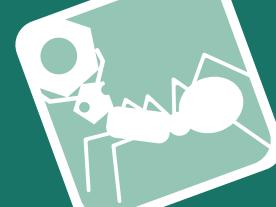
Material

Brass, Cu3 (CuZn39Pb3).

Technical Notes

To DIN 84.

Order No.	d ₁	l ₁	d ₂	h ₁	w ₁
B0025.030-004	M 3	4	6	1.8	0.8
B0025.030-005	M 3	5	6	1.8	0.8
B0025.030-006	M 3	6	6	1.8	0.8
B0025.030-008	M 3	8	6	1.8	0.8
B0025.030-010	M 3	10	6	1.8	0.8
B0025.030-012	M 3	12	6	1.8	0.8
B0025.030-016	M 3	16	6	1.8	0.8
B0025.030-020	M 3	20	6	1.8	0.8
B0025.030-025	M 3	25	6	1.8	0.8
B0025.030-030	M 3	30	6	1.8	0.8
B0025.040-004	M 4	4	8	2.4	1.2
B0025.040-005	M 4	5	8	2.4	1.2
B0025.040-006	M 4	6	8	2.4	1.2
B0025.040-008	M 4	8	8	2.4	1.2
B0025.040-010	M 4	10	8	2.4	1.2
B0025.040-012	M 4	12	8	2.4	1.2
B0025.040-016	M 4	16	8	2.4	1.2
B0025.040-020	M 4	20	8	2.4	1.2
B0025.040-025	M 4	25	8	2.4	1.2
B0025.040-030	M 4	30	8	2.4	1.2
B0025.040-040	M 4	40	8	2.4	1.2
B0025.050-006	M 5	6	10	3.0	1.2
B0025.050-008	M 5	8	10	3.0	1.2
B0025.050-010	M 5	10	10	3.0	1.2
B0025.050-012	M 5	12	10	3.0	1.2
B0025.050-016	M 5	16	10	3.0	1.2
B0025.050-020	M 5	20	10	3.0	1.2
B0025.050-025	M 5	25	10	3.0	1.2
B0025.050-030	M 5	30	10	3.0	1.2
B0025.050-040	M 5	40	10	3.0	1.2
B0025.060-008	M 6	8	12	3.6	1.6
B0025.060-010	M 6	10	12	3.6	1.6
B0025.060-012	M 6	12	12	3.6	1.6
B0025.060-016	M 6	16	12	3.6	1.6
B0025.060-020	M 6	20	12	3.6	1.6



Order No.	d_1	l_1	d_2	h_1	w_1
B0025.060-025	M 6	25	12	3.6	1.6
B0025.060-030	M 6	30	12	3.6	1.6
B0025.060-035	M 6	35	12	3.6	1.6
B0025.060-040	M 6	40	12	3.6	1.6