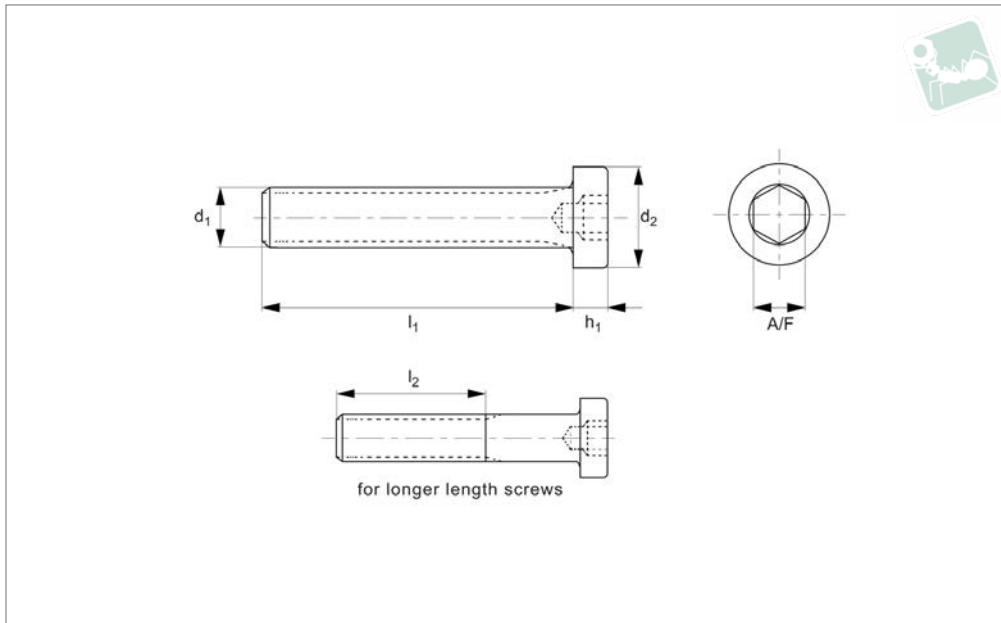




Thin Cylindrical Head Cap Screws

DIN 6912, Titanium G2

Titanium



T0004.T2

TITANIUM

Material
Titanium G2.

Technical Notes
To DIN 6912

Order No.	d ₁	l ₁	h	d ₂	l ₂	A/F
T0004.020-006-T2	M 2	6	1.8	3.8	-	1.5
T0004.020-008-T2	M 2	8	1.8	3.8	-	1.5
T0004.020-010-T2	M 2	10	1.8	3.8	-	1.5
T0004.020-015-T2	M 2	15	1.8	3.8	-	1.5
T0004.020-020-T2	M 2	20	1.8	3.8	-	1.5
T0004.020-025-T2	M 2	25	1.8	3.8	-	1.5
T0004.020-030-T2	M 2	30	1.8	3.8	-	1.5
T0004.020-035-T2	M 2	35	1.8	3.8	-	1.5
T0004.020-040-T2	M 2	40	1.8	3.8	-	1.5
T0004.025-006-T2	M2,5	6	1.8	3.8	-	1.5
T0004.025-008-T2	M2,5	8	1.8	3.8	-	1.5
T0004.025-010-T2	M2,5	10	1.8	3.8	-	1.5
T0004.025-015-T2	M2,5	15	1.8	3.8	-	1.5
T0004.025-020-T2	M2,5	20	1.8	3.8	-	1.5
T0004.025-025-T2	M2,5	25	1.8	3.8	-	1.5
T0004.025-030-T2	M2,5	30	1.8	3.8	-	1.5
T0004.025-035-T2	M2,5	35	1.8	3.8	-	1.5
T0004.025-040-T2	M2,5	40	1.8	3.8	-	1.5
T0004.030-010-T2	M 3	10	2.5	5.5	-	2.5
T0004.030-015-T2	M 3	15	2.5	5.5	12	2.5
T0004.030-020-T2	M 3	20	2.5	5.5	12	2.5
T0004.030-025-T2	M 3	25	2.5	5.5	12	2.5
T0004.030-030-T2	M 3	30	2.5	5.5	12	2.5
T0004.030-035-T2	M 3	35	2.5	5.5	12	2.5
T0004.030-040-T2	M 3	40	2.5	5.5	12	2.5
T0004.030-045-T2	M 3	45	2.5	5.5	12	2.5
T0004.030-050-T2	M 3	50	2.5	5.5	12	2.5
T0004.030-055-T2	M 3	55	2.5	5.5	12	2.5
T0004.030-060-T2	M 3	60	2.5	5.5	12	2.5
T0004.040-010-T2	M 4	10	2.8	7.0	-	3.0
T0004.040-015-T2	M 4	15	2.8	7.0	14	3.0
T0004.040-020-T2	M 4	20	2.8	7.0	14	3.0
T0004.040-025-T2	M 4	25	2.8	7.0	14	3.0
T0004.040-030-T2	M 4	30	2.8	7.0	14	3.0
T0004.040-035-T2	M 4	35	2.8	7.0	14	3.0



Order No.	d ₁	l ₁	h	d ₂	l ₂	A/F
T0004.040-040-T2	M 4	40	2.8	7.0	14	3.0
T0004.040-045-T2	M 4	45	2.8	7.0	14	3.0
T0004.040-050-T2	M 4	50	2.8	7.0	14	3.0
T0004.040-055-T2	M 4	55	2.8	7.0	14	3.0
T0004.040-060-T2	M 4	60	2.8	7.0	14	3.0
T0004.050-010-T2	M 5	10	3.5	8.5	-	4.0
T0004.050-015-T2	M 5	15	3.5	8.5	-	4.0
T0004.050-020-T2	M 5	20	3.5	8.5	16	4.0
T0004.050-025-T2	M 5	25	3.5	8.5	16	4.0
T0004.050-030-T2	M 5	30	3.5	8.5	16	4.0
T0004.050-035-T2	M 5	35	3.5	8.5	16	4.0
T0004.050-040-T2	M 5	40	3.5	8.5	16	4.0
T0004.050-045-T2	M 5	45	3.5	8.5	16	4.0
T0004.050-050-T2	M 5	50	3.5	8.5	16	4.0
T0004.050-055-T2	M 5	55	3.5	8.5	16	4.0
T0004.050-060-T2	M 5	60	3.5	8.5	16	4.0
T0004.060-006-T2	M 6	6	4.0	10.0	-	5.0
T0004.060-008-T2	M 6	8	4.0	10.0	-	5.0
T0004.060-010-T2	M 6	10	4.0	10.0	-	5.0
T0004.060-015-T2	M 6	15	4.0	10.0	-	5.0
T0004.060-016-T2	M 6	16	4.0	10.0	-	5.0
T0004.060-020-T2	M 6	20	4.0	10.0	18	5.0
T0004.060-025-T2	M 6	25	4.0	10.0	18	5.0
T0004.060-030-T2	M 6	30	4.0	10.0	18	5.0
T0004.060-035-T2	M 6	35	4.0	10.0	18	5.0
T0004.060-040-T2	M 6	40	4.0	10.0	18	5.0
T0004.060-045-T2	M 6	45	4.0	10.0	18	5.0
T0004.060-050-T2	M 6	50	4.0	10.0	18	5.0
T0004.060-055-T2	M 6	55	4.0	10.0	18	5.0
T0004.060-060-T2	M 6	60	4.0	10.0	18	5.0
T0004.060-065-T2	M 6	65	4.0	10.0	18	5.0
T0004.060-070-T2	M 6	70	4.0	10.0	18	5.0
T0004.060-075-T2	M 6	75	4.0	10.0	18	5.0
T0004.060-080-T2	M 6	80	4.0	10.0	18	5.0
T0004.060-085-T2	M 6	85	4.0	10.0	18	5.0
T0004.060-090-T2	M 6	90	4.0	10.0	18	5.0
T0004.060-095-T2	M 6	95	4.0	10.0	18	5.0
T0004.060-100-T2	M 6	100	4.0	10.0	18	5.0
T0004.060-110-T2	M 6	110	4.0	10.0	18	5.0
T0004.060-120-T2	M 6	120	4.0	10.0	18	5.0
T0004.060-130-T2	M 6	130	4.0	10.0	18	5.0
T0004.060-140-T2	M 6	140	4.0	10.0	18	5.0
T0004.060-150-T2	M 6	150	4.0	10.0	18	5.0
T0004.080-010-T2	M 8	10	5.0	13.0	22	6.0
T0004.080-015-T2	M 8	15	5.0	13.0	22	6.0
T0004.080-016-T2	M 8	16	5.0	13.0	22	6.0
T0004.080-020-T2	M 8	20	5.0	13.0	22	6.0
T0004.080-025-T2	M 8	25	5.0	13.0	22	6.0
T0004.080-030-T2	M 8	30	5.0	13.0	22	6.0
T0004.080-035-T2	M 8	35	5.0	13.0	22	6.0
T0004.080-040-T2	M 8	40	5.0	13.0	22	6.0
T0004.080-045-T2	M 8	45	5.0	13.0	22	6.0
T0004.080-050-T2	M 8	50	5.0	13.0	22	6.0
T0004.080-055-T2	M 8	55	5.0	13.0	22	6.0
T0004.080-060-T2	M 8	60	5.0	13.0	22	6.0
T0004.080-065-T2	M 8	65	5.0	13.0	22	6.0
T0004.080-070-T2	M 8	70	5.0	13.0	22	6.0
T0004.080-075-T2	M 8	75	5.0	13.0	22	6.0
T0004.080-080-T2	M 8	80	5.0	13.0	22	6.0
T0004.080-085-T2	M 8	85	5.0	13.0	22	6.0
T0004.080-090-T2	M 8	90	5.0	13.0	22	6.0
T0004.080-095-T2	M 8	95	5.0	13.0	22	6.0
T0004.080-100-T2	M 8	100	5.0	13.0	22	6.0
T0004.080-110-T2	M 8	110	5.0	13.0	22	6.0
T0004.080-120-T2	M 8	120	5.0	13.0	22	6.0
T0004.080-130-T2	M 8	130	5.0	13.0	-	6.0
T0004.080-140-T2	M 8	140	5.0	13.0	-	6.0
T0004.080-150-T2	M 8	150	5.0	13.0	-	6.0
T0004.100-015-T2	M10	15	6.5	16.0	26	8.0



Thin Cylindrical Head Cap Screws

DIN 6912, Titanium G2

Titanium

Order No.	d ₁	l ₁	h	d ₂	l ₂	A/F
T0004.100-016-T2	M10	16	6.5	16.0	26	8.0
T0004.100-020-T2	M10	20	6.5	16.0	26	8.0
T0004.100-025-T2	M10	25	6.5	16.0	26	8.0
T0004.100-030-T2	M10	30	6.5	16.0	26	8.0
T0004.100-035-T2	M10	35	6.5	16.0	26	8.0
T0004.100-040-T2	M10	40	6.5	16.0	26	8.0
T0004.100-045-T2	M10	45	6.5	16.0	26	8.0
T0004.100-050-T2	M10	50	6.5	16.0	26	8.0
T0004.100-055-T2	M10	55	6.5	16.0	26	8.0
T0004.100-060-T2	M10	60	6.5	16.0	26	8.0
T0004.100-065-T2	M10	65	6.5	16.0	26	8.0
T0004.100-070-T2	M10	70	6.5	16.0	26	8.0
T0004.100-075-T2	M10	75	6.5	16.0	26	8.0
T0004.100-080-T2	M10	80	6.5	16.0	26	8.0
T0004.100-085-T2	M10	85	6.5	16.0	26	8.0
T0004.100-090-T2	M10	90	6.5	16.0	26	8.0
T0004.100-095-T2	M10	95	6.5	16.0	26	8.0
T0004.100-100-T2	M10	100	6.5	16.0	26	8.0
T0004.100-110-T2	M10	110	6.5	16.0	26	8.0
T0004.100-120-T2	M10	120	6.5	16.0	26	8.0
T0004.100-130-T2	M10	130	6.5	16.0	32	8.0
T0004.100-140-T2	M10	140	6.5	16.0	32	8.0
T0004.100-150-T2	M10	150	6.5	16.0	32	8.0
T0004.120-020-T2	M12	20	7.5	18.0	30	10.0
T0004.120-025-T2	M12	25	7.5	18.0	30	10.0
T0004.120-030-T2	M12	30	7.5	18.0	30	10.0
T0004.120-035-T2	M12	35	7.5	18.0	30	10.0
T0004.120-040-T2	M12	40	7.5	18.0	30	10.0
T0004.120-045-T2	M12	45	7.5	18.0	30	10.0
T0004.120-050-T2	M12	50	7.5	18.0	30	10.0
T0004.120-055-T2	M12	55	7.5	18.0	30	10.0
T0004.120-060-T2	M12	60	7.5	18.0	30	10.0
T0004.120-065-T2	M12	65	7.5	18.0	30	10.0
T0004.120-070-T2	M12	70	7.5	18.0	30	10.0
T0004.120-075-T2	M12	75	7.5	18.0	30	10.0
T0004.120-080-T2	M12	80	7.5	18.0	30	10.0
T0004.120-085-T2	M12	85	7.5	18.0	30	10.0
T0004.120-090-T2	M12	90	7.5	18.0	30	10.0
T0004.120-095-T2	M12	95	7.5	18.0	30	10.0
T0004.120-100-T2	M12	100	7.5	18.0	30	10.0
T0004.120-110-T2	M12	110	7.5	18.0	30	10.0
T0004.120-120-T2	M12	120	7.5	18.0	30	10.0
T0004.120-130-T2	M12	130	7.5	18.0	36	10.0
T0004.120-140-T2	M12	140	7.5	18.0	36	10.0
T0004.120-150-T2	M12	150	7.5	18.0	36	10.0
T0004.140-020-T2	M14	20	8.5	21.0	34	12.0
T0004.140-025-T2	M14	25	8.5	21.0	34	12.0
T0004.140-030-T2	M14	30	8.5	21.0	34	12.0
T0004.140-035-T2	M14	35	8.5	21.0	34	12.0
T0004.140-040-T2	M14	40	8.5	21.0	34	12.0
T0004.140-045-T2	M14	45	8.5	21.0	34	12.0
T0004.140-050-T2	M14	50	8.5	21.0	34	12.0
T0004.140-055-T2	M14	55	8.5	21.0	34	12.0
T0004.140-060-T2	M14	60	8.5	21.0	34	12.0
T0004.140-065-T2	M14	65	8.5	21.0	34	12.0
T0004.140-070-T2	M14	70	8.5	21.0	34	12.0
T0004.140-075-T2	M14	75	8.5	21.0	34	12.0
T0004.140-080-T2	M14	80	8.5	21.0	34	12.0
T0004.140-085-T2	M14	85	8.5	21.0	34	12.0
T0004.140-090-T2	M14	90	8.5	21.0	34	12.0
T0004.140-095-T2	M14	95	8.5	21.0	34	12.0
T0004.140-100-T2	M14	100	8.5	21.0	34	12.0
T0004.140-110-T2	M14	110	8.5	21.0	34	12.0
T0004.140-120-T2	M14	120	8.5	21.0	34	12.0
T0004.140-130-T2	M14	130	8.5	21.0	40	12.0
T0004.140-140-T2	M14	140	8.5	21.0	40	12.0
T0004.140-150-T2	M14	150	8.5	21.0	40	12.0
T0004.160-020-T2	M16	20	10.0	24.0	38	14.0
T0004.160-025-T2	M16	25	10.0	24.0	38	14.0

TITANIUM



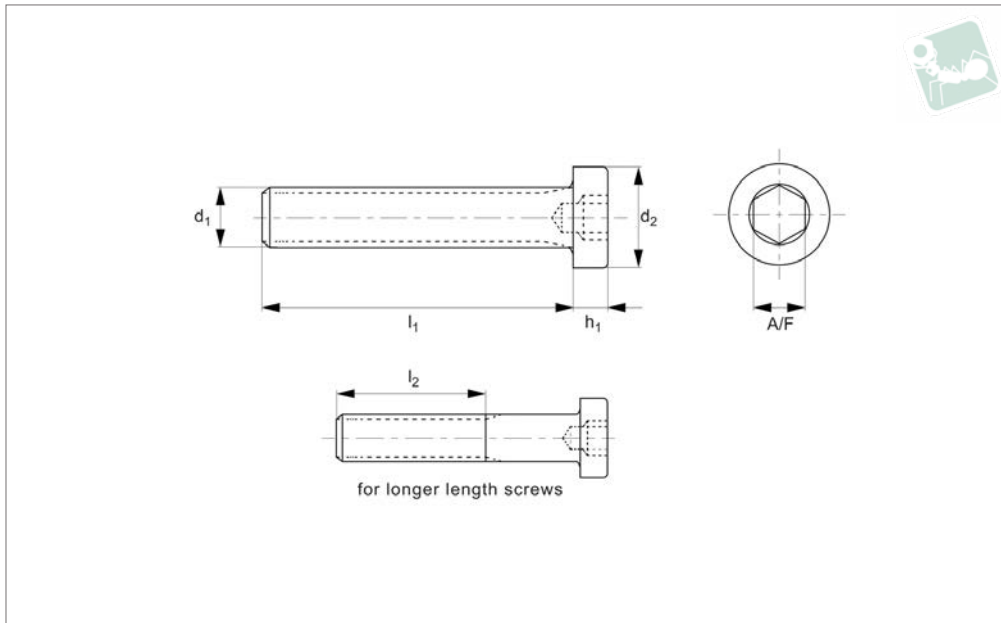
Order No.	d ₁	l ₁	h	d ₂	l ₂	A/F
T0004.160-030-T2	M16	30	10.0	24.0	38	14.0
T0004.160-035-T2	M16	35	10.0	24.0	38	14.0
T0004.160-040-T2	M16	40	10.0	24.0	38	14.0
T0004.160-045-T2	M16	45	10.0	24.0	38	14.0
T0004.160-050-T2	M16	50	10.0	24.0	38	14.0
T0004.160-055-T2	M16	55	10.0	24.0	38	14.0
T0004.160-060-T2	M16	60	10.0	24.0	38	14.0
T0004.160-065-T2	M16	65	10.0	24.0	38	14.0
T0004.160-070-T2	M16	70	10.0	24.0	38	14.0
T0004.160-075-T2	M16	75	10.0	24.0	38	14.0
T0004.160-080-T2	M16	80	10.0	24.0	38	14.0
T0004.160-085-T2	M16	85	10.0	24.0	38	14.0
T0004.160-090-T2	M16	90	10.0	24.0	38	14.0
T0004.160-095-T2	M16	95	10.0	24.0	38	14.0
T0004.160-100-T2	M16	100	10.0	24.0	38	14.0
T0004.160-110-T2	M16	110	10.0	24.0	38	14.0
T0004.160-120-T2	M16	120	10.0	24.0	38	14.0
T0004.160-130-T2	M16	130	10.0	24.0	44	14.0
T0004.160-140-T2	M16	140	10.0	24.0	44	14.0
T0004.160-160-T2	M16	160	10.0	24.0	44	14.0
T0004.200-020-T2	M20	20	12.0	30.0	46	17.0
T0004.200-025-T2	M20	25	12.0	30.0	46	17.0
T0004.200-030-T2	M20	30	12.0	30.0	46	17.0
T0004.200-035-T2	M20	35	12.0	30.0	46	17.0
T0004.200-040-T2	M20	40	12.0	30.0	46	17.0
T0004.200-045-T2	M20	45	12.0	30.0	46	17.0
T0004.200-050-T2	M20	50	12.0	30.0	46	17.0
T0004.200-055-T2	M20	55	12.0	30.0	46	17.0
T0004.200-060-T2	M20	60	12.0	30.0	46	17.0
T0004.200-065-T2	M20	65	12.0	30.0	46	17.0
T0004.200-070-T2	M20	70	12.0	30.0	46	17.0
T0004.200-075-T2	M20	75	12.0	30.0	46	17.0
T0004.200-080-T2	M20	80	12.0	30.0	46	17.0
T0004.200-085-T2	M20	85	12.0	30.0	46	17.0
T0004.200-090-T2	M20	90	12.0	30.0	46	17.0
T0004.200-095-T2	M20	95	12.0	30.0	46	17.0
T0004.200-100-T2	M20	100	12.0	30.0	46	17.0
T0004.200-110-T2	M20	110	12.0	30.0	46	17.0
T0004.200-120-T2	M20	120	12.0	30.0	46	17.0
T0004.200-130-T2	M20	130	12.0	30.0	52	17.0
T0004.200-140-T2	M20	140	12.0	30.0	52	17.0
T0004.200-200-T2	M20	200	12.0	30.0	52	17.0



Thin Cylindrical Head Cap Screws

DIN 6912, Titanium 5

Titanium



T0004.T5

TITANIUM

Material

Titanium 5 (6AL-4V).

Technical Notes

To DIN 6912

Order No.	d ₁	l ₁	d ₂	h ₁	l ₂	A/F
T0004.020-006-T5	M 2	6	3.8	1.8	-	1.5
T0004.020-008-T5	M 2	8	3.8	1.8	-	1.5
T0004.020-010-T5	M 2	10	3.8	1.8	-	1.5
T0004.020-015-T5	M 2	15	3.8	1.8	-	1.5
T0004.020-020-T5	M 2	20	3.8	1.8	-	1.5
T0004.020-025-T5	M 2	25	3.8	1.8	-	1.5
T0004.020-030-T5	M 2	30	3.8	1.8	-	1.5
T0004.020-035-T5	M 2	35	3.8	1.8	-	1.5
T0004.020-040-T5	M 2	40	3.8	1.8	-	1.5
T0004.025-006-T5	M2,5	6	3.8	1.8	-	1.5
T0004.025-008-T5	M2,5	8	3.8	1.8	-	1.5
T0004.025-010-T5	M2,5	10	3.8	1.8	-	1.5
T0004.025-015-T5	M2,5	15	3.8	1.8	-	1.5
T0004.025-020-T5	M2,5	20	3.8	1.8	-	1.5
T0004.025-025-T5	M2,5	25	3.8	1.8	-	1.5
T0004.025-030-T5	M2,5	30	3.8	1.8	-	1.5
T0004.025-035-T5	M2,5	35	3.8	1.8	-	1.5
T0004.025-040-T5	M2,5	40	3.8	1.8	-	1.5
T0004.030-010-T5	M 3	10	5.5	2.5	-	2.5
T0004.030-015-T5	M 3	15	5.5	2.5	12	2.5
T0004.030-020-T5	M 3	20	5.5	2.5	12	2.5
T0004.030-025-T5	M 3	25	5.5	2.5	12	2.5
T0004.030-030-T5	M 3	30	5.5	2.5	12	2.5
T0004.030-035-T5	M 3	35	5.5	2.5	12	2.5
T0004.030-040-T5	M 3	40	5.5	2.5	12	2.5
T0004.030-045-T5	M 3	45	5.5	2.5	12	2.5
T0004.030-050-T5	M 3	50	5.5	2.5	12	2.5
T0004.030-055-T5	M 3	55	5.5	2.5	12	2.5
T0004.030-060-T5	M 3	60	5.5	2.5	12	2.5
T0004.040-010-T5	M 4	10	7.0	2.8	-	3.0
T0004.040-015-T5	M 4	15	7.0	2.8	14	3.0
T0004.040-020-T5	M 4	20	7.0	2.8	14	3.0
T0004.040-025-T5	M 4	25	7.0	2.8	14	3.0
T0004.040-030-T5	M 4	30	7.0	2.8	14	3.0
T0004.040-035-T5	M 4	35	7.0	2.8	14	3.0



Order No.	d ₁	l ₁	d ₂	h ₁	l ₂	A/F
T0004.040-040-T5	M 4	40	7.0	2.8	14	3.0
T0004.040-045-T5	M 4	45	7.0	2.8	14	3.0
T0004.040-050-T5	M 4	50	7.0	2.8	14	3.0
T0004.040-055-T5	M 4	55	7.0	2.8	14	3.0
T0004.040-060-T5	M 4	60	7.0	2.8	14	3.0
T0004.050-010-T5	M 5	10	8.5	3.5	-	4.0
T0004.050-015-T5	M 5	15	8.5	3.5	-	4.0
T0004.050-020-T5	M 5	20	8.5	3.5	16	4.0
T0004.050-025-T5	M 5	25	8.5	3.5	16	4.0
T0004.050-030-T5	M 5	30	8.5	3.5	16	4.0
T0004.050-035-T5	M 5	35	8.5	3.5	16	4.0
T0004.050-040-T5	M 5	40	8.5	3.5	16	4.0
T0004.050-045-T5	M 5	45	8.5	3.5	16	4.0
T0004.050-050-T5	M 5	50	8.5	3.5	16	4.0
T0004.050-055-T5	M 5	55	8.5	3.5	16	4.0
T0004.050-060-T5	M 5	60	8.5	3.5	16	4.0
T0004.060-006-T5	M 6	6	10.0	4.0	-	5.0
T0004.060-008-T5	M 6	8	10.0	4.0	-	5.0
T0004.060-010-T5	M 6	10	10.0	4.0	-	5.0
T0004.060-015-T5	M 6	15	10.0	4.0	-	5.0
T0004.060-016-T5	M 6	16	10.0	4.0	-	5.0
T0004.060-020-T5	M 6	20	10.0	4.0	18	5.0
T0004.060-025-T5	M 6	25	10.0	4.0	18	5.0
T0004.060-030-T5	M 6	30	10.0	4.0	18	5.0
T0004.060-035-T5	M 6	35	10.0	4.0	18	5.0
T0004.060-040-T5	M 6	40	10.0	4.0	18	5.0
T0004.060-045-T5	M 6	45	10.0	4.0	18	5.0
T0004.060-050-T5	M 6	50	10.0	4.0	18	5.0
T0004.060-055-T5	M 6	55	10.0	4.0	18	5.0
T0004.060-060-T5	M 6	60	10.0	4.0	18	5.0
T0004.060-065-T5	M 6	65	10.0	4.0	18	5.0
T0004.060-070-T5	M 6	70	10.0	4.0	18	5.0
T0004.060-075-T5	M 6	75	10.0	4.0	18	5.0
T0004.060-080-T5	M 6	80	10.0	4.0	18	5.0
T0004.060-085-T5	M 6	85	10.0	4.0	18	5.0
T0004.060-090-T5	M 6	90	10.0	4.0	18	5.0
T0004.060-095-T5	M 6	95	10.0	4.0	18	5.0
T0004.060-100-T5	M 6	100	10.0	4.0	18	5.0
T0004.060-110-T5	M 6	110	10.0	4.0	18	5.0
T0004.060-120-T5	M 6	120	10.0	4.0	18	5.0
T0004.060-130-T5	M 6	130	10.0	4.0	18	5.0
T0004.060-140-T5	M 6	140	10.0	4.0	18	5.0
T0004.060-150-T5	M 6	150	10.0	4.0	18	5.0
T0004.080-010-T5	M 8	10	13.0	5.0	22	6.0
T0004.080-015-T5	M 8	15	13.0	5.0	22	6.0
T0004.080-016-T5	M 8	16	13.0	5.0	22	6.0
T0004.080-020-T5	M 8	20	13.0	5.0	22	6.0
T0004.080-025-T5	M 8	25	13.0	5.0	22	6.0
T0004.080-030-T5	M 8	30	13.0	5.0	22	6.0
T0004.080-035-T5	M 8	35	13.0	5.0	22	6.0
T0004.080-040-T5	M 8	40	13.0	5.0	22	6.0
T0004.080-045-T5	M 8	45	13.0	5.0	22	6.0
T0004.080-050-T5	M 8	50	13.0	5.0	22	6.0
T0004.080-055-T5	M 8	55	13.0	5.0	22	6.0
T0004.080-060-T5	M 8	60	13.0	5.0	22	6.0
T0004.080-065-T5	M 8	65	13.0	5.0	22	6.0
T0004.080-070-T5	M 8	70	13.0	5.0	22	6.0
T0004.080-075-T5	M 8	75	13.0	5.0	22	6.0
T0004.080-080-T5	M 8	80	13.0	5.0	22	6.0
T0004.080-085-T5	M 8	85	13.0	5.0	22	6.0
T0004.080-090-T5	M 8	90	13.0	5.0	22	6.0
T0004.080-095-T5	M 8	95	13.0	5.0	22	6.0
T0004.080-100-T5	M 8	100	13.0	5.0	22	6.0
T0004.080-110-T5	M 8	110	13.0	5.0	22	6.0
T0004.080-120-T5	M 8	120	13.0	5.0	22	6.0
T0004.080-130-T5	M 8	130	13.0	5.0	-	6.0
T0004.080-140-T5	M 8	140	13.0	5.0	-	6.0
T0004.080-150-T5	M 8	150	13.0	5.0	-	6.0
T0004.100-015-T5	M10	15	16.0	6.5	26	8.0



Thin Cylindrical Head Cap Screws

DIN 6912, Titanium 5

Titanium

Order No.	d ₁	l ₁	d ₂	h ₁	l ₂	A/F
T0004.100-016-T5	M10	16	16.0	6.5	26	8.0
T0004.100-020-T5	M10	20	16.0	6.5	26	8.0
T0004.100-025-T5	M10	25	16.0	6.5	26	8.0
T0004.100-030-T5	M10	30	16.0	6.5	26	8.0
T0004.100-035-T5	M10	35	16.0	6.5	26	8.0
T0004.100-040-T5	M10	40	16.0	6.5	26	8.0
T0004.100-045-T5	M10	45	16.0	6.5	26	8.0
T0004.100-050-T5	M10	50	16.0	6.5	26	8.0
T0004.100-055-T5	M10	55	16.0	6.5	26	8.0
T0004.100-060-T5	M10	60	16.0	6.5	26	8.0
T0004.100-065-T5	M10	65	16.0	6.5	26	8.0
T0004.100-070-T5	M10	70	16.0	6.5	26	8.0
T0004.100-075-T5	M10	75	16.0	6.5	26	8.0
T0004.100-080-T5	M10	80	16.0	6.5	26	8.0
T0004.100-085-T5	M10	85	16.0	6.5	26	8.0
T0004.100-090-T5	M10	90	16.0	6.5	26	8.0
T0004.100-095-T5	M10	95	16.0	6.5	26	8.0
T0004.100-100-T5	M10	100	16.0	6.5	26	8.0
T0004.100-110-T5	M10	110	16.0	6.5	26	8.0
T0004.100-120-T5	M10	120	16.0	6.5	26	8.0
T0004.100-130-T5	M10	130	16.0	6.5	32	8.0
T0004.100-140-T5	M10	140	16.0	6.5	32	8.0
T0004.100-150-T5	M10	150	16.0	6.5	32	8.0
T0004.120-020-T5	M12	20	18.0	7.5	30	10.0
T0004.120-025-T5	M12	25	18.0	7.5	30	10.0
T0004.120-030-T5	M12	30	18.0	7.5	30	10.0
T0004.120-035-T5	M12	35	18.0	7.5	30	10.0
T0004.120-040-T5	M12	40	18.0	7.5	30	10.0
T0004.120-045-T5	M12	45	18.0	7.5	30	10.0
T0004.120-050-T5	M12	50	18.0	7.5	30	10.0
T0004.120-055-T5	M12	55	18.0	7.5	30	10.0
T0004.120-060-T5	M12	60	18.0	7.5	30	10.0
T0004.120-065-T5	M12	65	18.0	7.5	30	10.0
T0004.120-070-T5	M12	70	18.0	7.5	30	10.0
T0004.120-075-T5	M12	75	18.0	7.5	30	10.0
T0004.120-080-T5	M12	80	18.0	7.5	30	10.0
T0004.120-085-T5	M12	85	18.0	7.5	30	10.0
T0004.120-090-T5	M12	90	18.0	7.5	30	10.0
T0004.120-095-T5	M12	95	18.0	7.5	30	10.0
T0004.120-100-T5	M12	100	18.0	7.5	30	10.0
T0004.120-110-T5	M12	110	18.0	7.5	30	10.0
T0004.120-120-T5	M12	120	18.0	7.5	30	10.0
T0004.120-130-T5	M12	130	18.0	7.5	36	10.0
T0004.120-140-T5	M12	140	18.0	7.5	36	10.0
T0004.120-150-T5	M12	150	18.0	7.5	36	10.0
T0004.140-020-T5	M14	20	21.0	8.5	34	12.0
T0004.140-025-T5	M14	25	21.0	8.5	34	12.0
T0004.140-030-T5	M14	30	21.0	8.5	34	12.0
T0004.140-035-T5	M14	35	21.0	8.5	34	12.0
T0004.140-040-T5	M14	40	21.0	8.5	34	12.0
T0004.140-045-T5	M14	45	21.0	8.5	34	12.0
T0004.140-050-T5	M14	50	21.0	8.5	34	12.0
T0004.140-055-T5	M14	55	21.0	8.5	34	12.0
T0004.140-060-T5	M14	60	21.0	8.5	34	12.0
T0004.140-065-T5	M14	65	21.0	8.5	34	12.0
T0004.140-070-T5	M14	70	21.0	8.5	34	12.0
T0004.140-075-T5	M14	75	21.0	8.5	34	12.0
T0004.140-080-T5	M14	80	21.0	8.5	34	12.0
T0004.140-085-T5	M14	85	21.0	8.5	34	12.0
T0004.140-090-T5	M14	90	21.0	8.5	34	12.0
T0004.140-095-T5	M14	95	21.0	8.5	34	12.0
T0004.140-100-T5	M14	100	21.0	8.5	34	12.0
T0004.140-110-T5	M14	110	21.0	8.5	34	12.0
T0004.140-120-T5	M14	120	21.0	8.5	34	12.0
T0004.140-130-T5	M14	130	21.0	8.5	40	12.0
T0004.140-140-T5	M14	140	21.0	8.5	40	12.0
T0004.140-150-T5	M14	150	21.0	8.5	40	12.0
T0004.160-020-T5	M16	20	24.0	10.0	38	14.0
T0004.160-025-T5	M16	25	24.0	10.0	38	14.0

TITANIUM



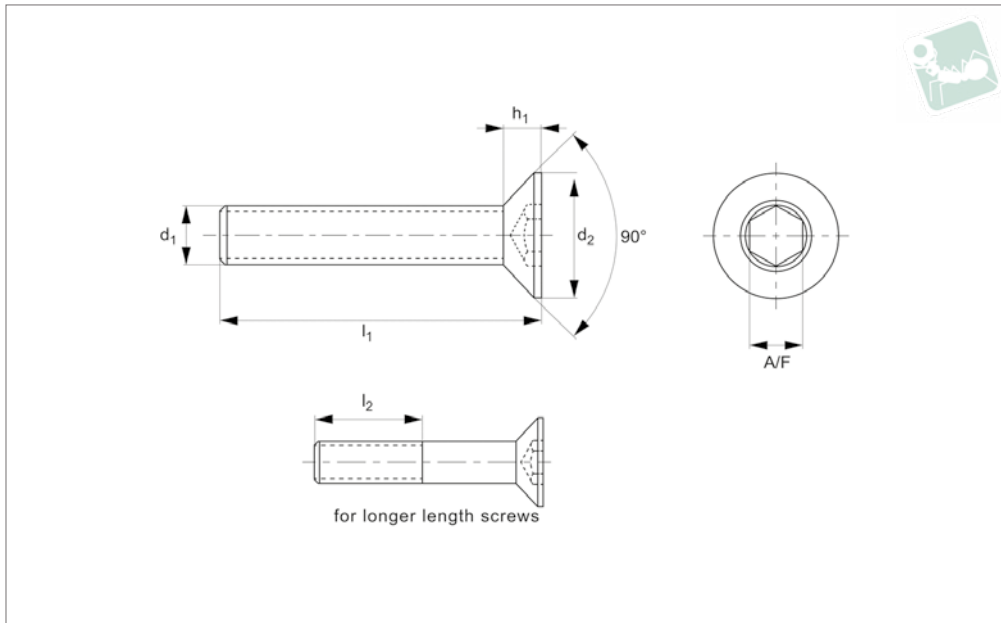
Order No.	d ₁	l ₁	d ₂	h ₁	l ₂	A/F
T0004.160-030-T5	M16	30	24.0	10.0	38	14.0
T0004.160-035-T5	M16	35	24.0	10.0	38	14.0
T0004.160-040-T5	M16	40	24.0	10.0	38	14.0
T0004.160-045-T5	M16	45	24.0	10.0	38	14.0
T0004.160-050-T5	M16	50	24.0	10.0	38	14.0
T0004.160-055-T5	M16	55	24.0	10.0	38	14.0
T0004.160-060-T5	M16	60	24.0	10.0	38	14.0
T0004.160-065-T5	M16	65	24.0	10.0	38	14.0
T0004.160-070-T5	M16	70	24.0	10.0	38	14.0
T0004.160-075-T5	M16	75	24.0	10.0	38	14.0
T0004.160-080-T5	M16	80	24.0	10.0	38	14.0
T0004.160-085-T5	M16	85	24.0	10.0	38	14.0
T0004.160-090-T5	M16	90	24.0	10.0	38	14.0
T0004.160-095-T5	M16	95	24.0	10.0	38	14.0
T0004.160-100-T5	M16	100	24.0	10.0	38	14.0
T0004.160-110-T5	M16	110	24.0	10.0	38	14.0
T0004.160-120-T5	M16	120	24.0	10.0	38	14.0
T0004.160-130-T5	M16	130	24.0	10.0	44	14.0
T0004.160-140-T5	M16	140	24.0	10.0	44	14.0
T0004.160-160-T5	M16	160	24.0	10.0	44	14.0
T0004.200-020-T5	M20	20	30.0	12.0	46	17.0
T0004.200-025-T5	M20	25	30.0	12.0	46	17.0
T0004.200-030-T5	M20	30	30.0	12.0	46	17.0
T0004.200-035-T5	M20	35	30.0	12.0	46	17.0
T0004.200-040-T5	M20	40	30.0	12.0	46	17.0
T0004.200-045-T5	M20	45	30.0	12.0	46	17.0
T0004.200-050-T5	M20	50	30.0	12.0	46	17.0
T0004.200-055-T5	M20	55	30.0	12.0	46	17.0
T0004.200-060-T5	M20	60	30.0	12.0	46	17.0
T0004.200-065-T5	M20	65	30.0	12.0	46	17.0
T0004.200-070-T5	M20	70	30.0	12.0	46	17.0
T0004.200-075-T5	M20	75	30.0	12.0	46	17.0
T0004.200-080-T5	M20	80	30.0	12.0	46	17.0
T0004.200-085-T5	M20	85	30.0	12.0	46	17.0
T0004.200-090-T5	M20	90	30.0	12.0	46	17.0
T0004.200-095-T5	M20	95	30.0	12.0	46	17.0
T0004.200-100-T5	M20	100	30.0	12.0	46	17.0
T0004.200-110-T5	M20	110	30.0	12.0	46	17.0
T0004.200-120-T5	M20	120	30.0	12.0	46	17.0
T0004.200-130-T5	M20	130	30.0	12.0	52	17.0
T0004.200-140-T5	M20	140	30.0	12.0	52	17.0
T0004.200-200-T5	M20	200	30.0	12.0	52	17.0



Hexagon Socket Head Csk Cap Screws

DIN 7991, titanium G2

Titanium



T0007.T2

TITANIUM

Material
Titanium G2.

Technical Notes
To DIN 7991

Order No.	Thread	l_1	d_2	h_1	l_2	A/F
T0007.030-010-T2	M 3	10.0	6.0	1.2	-	2.0
T0007.030-015-T2	M 3	15.0	6.0	1.2	12	2.0
T0007.030-020-T2	M 3	20.0	6.0	1.2	12	2.0
T0007.030-025-T2	M 3	25.0	6.0	1.2	12	2.0
T0007.030-030-T2	M 3	30.0	6.0	1.2	12	2.0
T0007.030-035-T2	M 3	35.0	6.0	1.2	12	2.0
T0007.030-040-T2	M 3	40.0	6.0	1.2	12	2.0
T0007.030-045-T2	M 3	45.0	6.0	1.2	12	2.0
T0007.030-050-T2	M 3	50.0	6.0	1.2	12	2.0
T0007.030-055-T2	M 3	55.0	6.0	1.2	12	2.0
T0007.030-060-T2	M 3	60.0	6.0	1.2	12	2.0
T0007.040-010-T2	M 4	10.0	8.0	1.8	-	2.5
T0007.040-015-T2	M 4	15.0	8.0	1.8	-	2.5
T0007.040-020-T2	M 4	20.0	8.0	1.8	14	2.5
T0007.040-025-T2	M 4	25.0	8.0	1.8	14	2.5
T0007.040-030-T2	M 4	30.0	8.0	1.8	14	2.5
T0007.040-035-T2	M 4	35.0	8.0	1.8	14	2.5
T0007.040-040-T2	M 4	40.0	8.0	1.8	14	2.5
T0007.040-045-T2	M 4	45.0	8.0	1.8	14	2.5
T0007.040-050-T2	M 4	50.0	8.0	1.8	14	2.5
T0007.040-055-T2	M 4	55.0	8.0	1.8	14	2.5
T0007.040-060-T2	M 4	60.0	8.0	1.8	14	2.5
T0007.050-010-T2	M 5	10.0	10.0	2.3	-	3.0
T0007.050-015-T2	M 5	15.0	10.0	2.3	-	3.0
T0007.050-020-T2	M 5	20.0	10.0	2.3	16	3.0
T0007.050-025-T2	M 5	25.0	10.0	2.3	16	3.0
T0007.050-030-T2	M 5	30.0	10.0	2.3	16	3.0
T0007.050-035-T2	M 5	35.0	10.0	2.3	16	3.0
T0007.050-040-T2	M 5	40.0	10.0	2.3	16	3.0
T0007.050-045-T2	M 5	45.0	10.0	2.3	16	3.0
T0007.050-050-T2	M 5	50.0	10.0	2.3	16	3.0
T0007.050-055-T2	M 5	55.0	10.0	2.3	16	3.0
T0007.050-060-T2	M 5	60.0	10.0	2.3	16	3.0
T0007.060-010-T2	M 6	10.0	12.0	2.5	-	4.0
T0007.060-015-T2	M 6	15.0	12.0	2.5	-	4.0



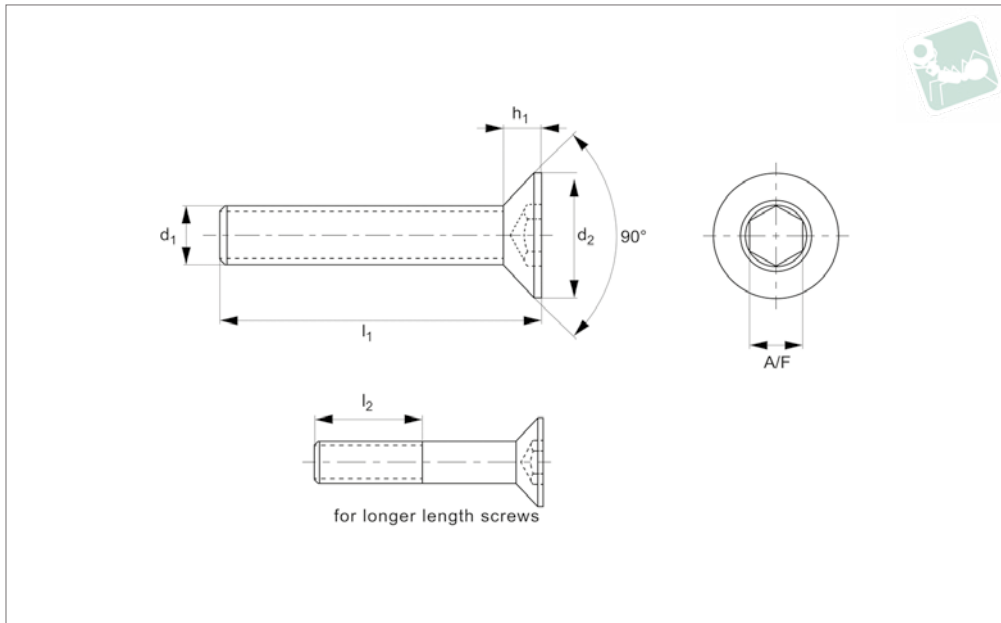
Order No.	Thread	l ₁	d ₂	h ₁	l ₂	A/F
T0007.060-020-T2	M 6	20.0	12.0	2.5	18	4.0
T0007.060-025-T2	M 6	25.0	12.0	2.5	18	4.0
T0007.060-030-T2	M 6	30.0	12.0	2.5	18	4.0
T0007.060-035-T2	M 6	35.0	12.0	2.5	18	4.0
T0007.060-040-T2	M 6	40.0	12.0	2.5	18	4.0
T0007.060-045-T2	M 6	45.0	12.0	2.5	18	4.0
T0007.060-050-T2	M 6	50.0	10.5	2.5	18	4
T0007.060-055-T2	M 6	55.0	10.5	2.5	18	4
T0007.060-060-T2	M 6	60.0	10.5	2.5	18	4
T0007.060-075-T2	M 6	75.0	10.5	2.5	18	4
T0007.060-080-T2	M 6	80.0	10.5	2.5	18	4
T0007.060-090-T2	M 6	90.0	10.5	2.5	18	4
T0007.080-010-T2	M 8	10.0	14.0	4.4	20	5
T0007.080-020-T2	M 8	20.0	14.0	4.4	20	5
T0007.080-025-T2	M 8	25.0	14.0	4.4	20	5
T0007.080-030-T2	M 8	30.0	14.0	4.4	20	5
T0007.080-035-T2	M 8	35.0	14.0	4.4	20	5
T0007.080-040-T2	M 8	40.0	14.0	4.4	20	5
T0007.080-045-T2	M 8	45.0	14.0	4.4	20	5
T0007.080-050-T2	M 8	50.0	14.0	4.4	20	5
T0007.080-055-T2	M 8	55.0	14.0	4.4	20	5
T0007.080-060-T2	M 8	60.0	14.0	4.4	20	5
T0007.080-065-T2	M 8	65.0	14.0	4.4	20	5
T0007.080-070-T2	M 8	70.0	14.0	4.4	20	5
T0007.080-080-T2	M 8	80.0	14.0	4.4	20	5
T0007.080-090-T2	M 8	90.0	14.0	4.4	20	5
T0007.080-100-T2	M 8	100.0	14.0	4.4	20	5
T0007.100-020-T2	M10	20.0	17.5	5.5	22	6
T0007.100-025-T2	M10	25.0	17.6	5.5	22	6
T0007.100-030-T2	M10	30.0	17.8	5.5	22	6
T0007.100-035-T2	M10	35.0	17.10	5.5	22	6
T0007.100-040-T2	M10	40.0	17.12	5.5	22	6
T0007.100-045-T2	M10	45.0	17.14	5.5	22	6
T0007.100-050-T2	M10	50.0	17.16	5.5	22	6
T0007.100-055-T2	M10	55.0	17.18	5.5	22	6
T0007.100-060-T2	M10	60.0	17.20	5.5	22	6
T0007.100-065-T2	M10	65.0	17.22	5.5	22	6
T0007.100-070-T2	M10	70.0	17.24	5.5	22	6
T0007.100-075-T2	M10	75.0	17.26	5.5	22	6
T0007.100-080-T2	M10	80.0	17.28	5.5	22	6
T0007.100-090-T2	M10	90.0	17.30	5.5	22	6
T0007.100-100-T2	M10	100.0	17.32	5.5	22	6
T0007.120-020-T2	M12	20.0	21.0	6.6	24	8
T0007.120-025-T2	M12	25.0	21.0	6.6	24	8
T0007.120-030-T2	M12	30.0	21.0	6.6	24	8
T0007.120-035-T2	M12	35.0	21.0	6.6	24	8
T0007.120-040-T2	M12	40.0	21.0	6.6	24	8
T0007.120-045-T2	M12	45.0	21.0	6.6	24	8
T0007.120-050-T2	M12	50.0	21.0	6.6	24	8
T0007.120-060-T2	M12	60.0	21.0	6.6	24	8
T0007.120-065-T2	M12	65.0	21.0	6.6	24	8
T0007.120-070-T2	M12	70.0	21.0	6.6	24	8
T0007.120-080-T2	M12	80.0	21.0	6.6	24	8
T0007.120-090-T2	M12	90.0	21.0	6.6	24	8
T0007.120-100-T2	M12	100.0	21.0	6.6	24	8



Hexagon Socket Head Csk Cap Screws

DIN 7991, titanium 5

Titanium



T0007.T5

TITANIUM

Material

Titanium 5 (6AL-4V).

Technical Notes

To DIN 7991

Order No.	Thread	l_1	d_2	h_1	l_2	A/F
T0007.030-010-T5	M 3	10.0	6.0	1.2	-	2.0
T0007.030-015-T5	M 3	15.0	6.0	1.2	12	2.0
T0007.030-020-T5	M 3	20.0	6.0	1.2	12	2.0
T0007.030-025-T5	M 3	25.0	6.0	1.2	12	2.0
T0007.030-030-T5	M 3	30.0	6.0	1.2	12	2.0
T0007.030-035-T5	M 3	35.0	6.0	1.2	12	2.0
T0007.030-040-T5	M 3	40.0	6.0	1.2	12	2.0
T0007.030-045-T5	M 3	45.0	6.0	1.2	12	2.0
T0007.030-050-T5	M 3	50.0	6.0	1.2	12	2.0
T0007.030-055-T5	M 3	55.0	6.0	1.2	12	2.0
T0007.030-060-T5	M 3	60.0	6.0	1.2	12	2.0
T0007.040-010-T5	M 4	10.0	8.0	1.8	-	2.5
T0007.040-015-T5	M 4	15.0	8.0	1.8	-	2.5
T0007.040-020-T5	M 4	20.0	8.0	1.8	14	2.5
T0007.040-025-T5	M 4	25.0	8.0	1.8	14	2.5
T0007.040-030-T5	M 4	30.0	8.0	1.8	14	2.5
T0007.040-035-T5	M 4	35.0	8.0	1.8	14	2.5
T0007.040-040-T5	M 4	40.0	8.0	1.8	14	2.5
T0007.040-045-T5	M 4	45.0	8.0	1.8	14	2.5
T0007.040-050-T5	M 4	50.0	8.0	1.8	14	2.5
T0007.040-055-T5	M 4	55.0	8.0	1.8	14	2.5
T0007.040-060-T5	M 4	60.0	8.0	1.8	14	2.5
T0007.050-010-T5	M 5	10.0	10.0	2.3	-	3.0
T0007.050-015-T5	M 5	15.0	10.0	2.3	-	3.0
T0007.050-020-T5	M 5	20.0	10.0	2.3	16	3.0
T0007.050-025-T5	M 5	25.0	10.0	2.3	16	3.0
T0007.050-030-T5	M 5	30.0	10.0	2.3	16	3.0
T0007.050-035-T5	M 5	35.0	10.0	2.3	16	3.0
T0007.050-040-T5	M 5	40.0	10.0	2.3	16	3.0
T0007.050-045-T5	M 5	45.0	10.0	2.3	16	3.0
T0007.050-050-T5	M 5	50.0	10.0	2.3	16	3.0
T0007.050-055-T5	M 5	55.0	10.0	2.3	16	3.0
T0007.050-060-T5	M 5	60.0	10.0	2.3	16	3.0
T0007.060-010-T5	M 6	10.0	12.0	2.5	-	4.0
T0007.060-015-T5	M 6	15.0	12.0	2.5	-	4.0



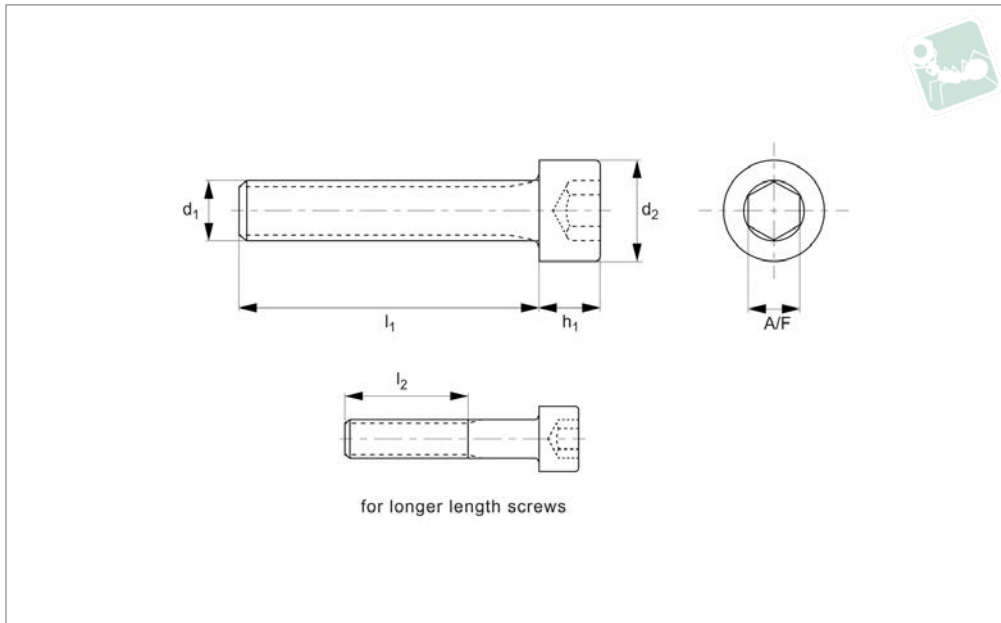
Order No.	Thread	l ₁	d ₂	h ₁	l ₂	A/F
T0007.060-020-T5	M 6	20.0	12.0	2.5	18	4.0
T0007.060-025-T5	M 6	25.0	12.0	2.5	18	4.0
T0007.060-030-T5	M 6	30.0	12.0	2.5	18	4.0
T0007.060-035-T5	M 6	35.0	12.0	2.5	18	4.0
T0007.060-040-T5	M 6	40.0	12.0	2.5	18	4.0
T0007.060-050-T5	M 6	50.0	10.5	2.5	18	4
T0007.060-055-T5	M 6	55.0	10.5	2.5	18	4
T0007.060-060-T5	M 6	60.0	10.5	2.5	18	4
T0007.060-075-T5	M 6	75.0	10.5	2.5	18	4
T0007.060-080-T5	M 6	80.0	10.5	2.5	18	4
T0007.060-090-T5	M 6	90.0	10.5	2.5	18	4
T0007.080-010-T5	M 8	10.0	14.0	4.4	20	5
T0007.080-020-T5	M 8	20.0	14.0	4.4	20	5
T0007.080-025-T5	M 8	25.0	14.0	4.4	20	5
T0007.080-030-T5	M 8	30.0	14.0	4.4	20	5
T0007.080-035-T5	M 8	35.0	14.0	4.4	20	5
T0007.080-040-T5	M 8	40.0	14.0	4.4	20	5
T0007.080-045-T5	M 8	45.0	14.0	4.4	20	5
T0007.080-050-T5	M 8	50.0	14.0	4.4	20	5
T0007.080-055-T5	M 8	55.0	14.0	4.4	20	5
T0007.080-060-T5	M 8	60.0	14.0	4.4	20	5
T0007.080-065-T5	M 8	65.0	14.0	4.4	20	5
T0007.080-070-T5	M 8	70.0	14.0	4.4	20	5
T0007.080-080-T5	M 8	80.0	14.0	4.4	20	5
T0007.080-090-T5	M 8	90.0	14.0	4.4	20	5
T0007.080-100-T5	M 8	100.0	14.0	4.4	20	5
T0007.100-020-T5	M10	20.0	17.5	5.5	22	6
T0007.100-025-T5	M10	25.0	17.6	5.5	22	6
T0007.100-030-T5	M10	30.0	17.8	5.5	22	6
T0007.100-035-T5	M10	35.0	17.10	5.5	22	6
T0007.100-040-T5	M10	40.0	17.12	5.5	22	6
T0007.100-045-T5	M10	45.0	17.14	5.5	22	6
T0007.100-050-T5	M10	50.0	17.16	5.5	22	6
T0007.100-055-T5	M10	55.0	17.18	5.5	22	6
T0007.100-060-T5	M10	60.0	17.20	5.5	22	6
T0007.100-065-T5	M10	65.0	17.22	5.5	22	6
T0007.100-070-T5	M10	70.0	17.24	5.5	22	6
T0007.100-075-T5	M10	75.0	17.26	5.5	22	6
T0007.100-080-T5	M10	80.0	17.28	5.5	22	6
T0007.100-090-T5	M10	90.0	17.30	5.5	22	6
T0007.100-100-T5	M10	100.0	17.32	5.5	22	6
T0007.120-020-T5	M12	20.0	21.0	6.6	24	8
T0007.120-025-T5	M12	25.0	21.0	6.6	24	8
T0007.120-030-T5	M12	30.0	21.0	6.6	24	8
T0007.120-035-T5	M12	35.0	21.0	6.6	24	8
T0007.120-040-T5	M12	40.0	21.0	6.6	24	8
T0007.120-045-T5	M12	45.0	21.0	6.6	24	8
T0007.120-050-T5	M12	50.0	21.0	6.6	24	8
T0007.120-055-T5	M12	55.0	21.0	6.6	24	8
T0007.120-060-T5	M12	60.0	21.0	6.6	24	8
T0007.120-065-T5	M12	65.0	21.0	6.6	24	8
T0007.120-070-T5	M12	70.0	21.0	6.6	24	8
T0007.120-075-T5	M12	75.0	21.0	6.6	24	8
T0007.120-080-T5	M12	80.0	21.0	6.6	24	8
T0007.120-090-T5	M12	90.0	21.0	6.6	24	8
T0007.120-100-T5	M12	100.0	21.0	6.6	24	8



Socket Cap Screw - M2 - M8

DIN 912 Gr.5

Titanium



T0010.91T.3

TITANIUM

Material

Titanium Grade 5 (aerospace grade Ti 6Al-4V Titanium alloy, good strength to weight ratio, corrosion resistant).

Technical Notes

Items to DIN 912 where stated in data

table.

For the majority of screw lengths the threads goes all the way to the head of the screw (i.e. $l_1 = l_2$) less 2.5 thread pitches.

For longer length screws the threaded portion $l_2 < l_1$.

Order No.	d_1	l_1	d_2	h_1	l_2	A/F	Finish	Material
91T.020.0060.5AD	M 2	6	4.0	2.0	-	2	Natural	Ti-G5
91T.020.0080.5AD	M 2	8	4.0	2.0	-	2	Natural	Ti-G5
91T.020.0100.5AD	M 2	10	4.0	2.0	-	2	Natural	Ti-G5
91T.020.0120.5AD	M 2	12	4.0	2.0	-	2	Natural	Ti-G5
91T.020.0150.5AD	M 2	15	4.0	2.0	-	2	Natural	Ti-G5
91T.020.0160.5AD	M 2	16	4.0	2.0	-	2	Natural	Ti-G5
91T.020.0200.5AD	M 2	20	4.0	2.0	18.0	2	Natural	Ti-G5
91T.020.0250.5AD	M 2	25	4.0	2.0	18.0	2	Natural	Ti-G5
91T.020.0300.5AD	M 2	30	4.0	2.0	18.0	2	Natural	Ti-G5
91T.025.0060.5AD	M2,5	6	5.0	2.5	-	2	Natural	Ti-G5
91T.025.0080.5AD	M2,5	8	5.0	2.5	-	2	Natural	Ti-G5
91T.025.0100.5AD	M2,5	10	5.0	2.5	-	2	Natural	Ti-G5
91T.025.0120.5AD	M2,5	12	5.0	2.5	-	2	Natural	Ti-G5
91T.025.0150.5AD	M2,5	15	5.0	2.5	-	2	Natural	Ti-G5
91T.025.0160.5AD	M2,5	16	5.0	2.5	-	2	Natural	Ti-G5
91T.025.0200.5AD	M2,5	20	5.0	2.5	18.5	2	Natural	Ti-G5
91T.025.0250.5AD	M2,5	25	5.0	2.5	18.5	2	Natural	Ti-G5
91T.025.0300.5AD	M2,5	30	5.0	2.5	18.5	2	Natural	Ti-G5
91T.025.0350.5AD	M2,5	35	5.0	2.5	18.5	2	Natural	Ti-G5
91T.025.0400.5AD	M2,5	40	5.0	2.5	18.5	2	Natural	Ti-G5
91T.030.0060.5AD	M 3	6	5.5	3.0	-	2	Natural	Ti-G5
91T.030.0080.5AD	M 3	8	5.5	3.0	-	2	Natural	Ti-G5
91T.030.0100.5AD	M 3	10	5.5	3.0	-	2	Natural	Ti-G5
91T.030.0120.5AD	M 3	12	5.5	3.0	-	2	Natural	Ti-G5
91T.030.0150.5AD	M 3	15	5.5	3.0	-	2	Natural	Ti-G5
91T.030.0160.5AD	M 3	16	5.5	3.0	-	2	Natural	Ti-G5
91T.030.0200.5AD	M 3	20	5.5	3.0	19.0	2	Natural	Ti-G5
91T.030.0250.5AD	M 3	25	5.5	3.0	19.0	2	Natural	Ti-G5
91T.030.0300.5AD	M 3	30	5.5	3.0	19.0	2	Natural	Ti-G5
91T.030.0350.5AD	M 3	35	5.5	3.0	19.0	2	Natural	Ti-G5
91T.030.0400.5AD	M 3	40	5.5	3.0	19.0	2	Natural	Ti-G5
91T.030.0450.5AD	M 3	45	5.5	3.0	19.0	2	Natural	Ti-G5



Order No.	d ₁	l ₁	d ₂	h ₁	l ₂	A/F	Finish	Material
91T.030.0500.5AD	M 3	50	5.5	3.0	19.0	2	Natural	Ti-G5
91T.030.0550.5AD	M 3	55	5.5	3.0	19.0	2	Natural	Ti-G5
91T.030.0600.5AD	M 3	60	5.5	3.0	19.0	2	Natural	Ti-G5
91T.040.0060.5AD	M 4	6	7.0	4.0	-	3	Natural	Ti-G5
91T.040.0080.5AD	M 4	8	7.0	4.0	-	3	Natural	Ti-G5
91T.040.0100.5AD	M 4	10	7.0	4.0	-	3	Natural	Ti-G5
91T.040.0120.5AD	M 4	12	7.0	4.0	-	3	Natural	Ti-G5
91T.040.0150.5AD	M 4	15	7.0	4.0	-	3	Natural	Ti-G5
91T.040.0160.5AD	M 4	16	7.0	4.0	-	3	Natural	Ti-G5
91T.040.0200.5AD	M 4	20	7.0	4.0	20.0	3	Natural	Ti-G5
91T.040.0250.5AD	M 4	25	7.0	4.0	20.0	3	Natural	Ti-G5
91T.040.0300.5AD	M 4	30	7.0	4.0	20.0	3	Natural	Ti-G5
91T.040.0350.5AD	M 4	35	7.0	4.0	20.0	3	Natural	Ti-G5
91T.040.0400.5AD	M 4	40	7.0	4.0	20.0	3	Natural	Ti-G5
91T.040.0450.5AD	M 4	45	7.0	4.0	20.0	3	Natural	Ti-G5
91T.040.0500.5AD	M 4	50	7.0	4.0	20.0	3	Natural	Ti-G5
91T.040.0550.5AD	M 4	55	7.0	4.0	20.0	3	Natural	Ti-G5
91T.040.0600.5AD	M 4	60	7.0	4.0	20.0	3	Natural	Ti-G5
91T.040.0650.5AD	M 4	65	7.0	4.0	20.0	3	Natural	Ti-G5
91T.040.0700.5AD	M 4	70	7.0	4.0	20.0	3	Natural	Ti-G5
91T.040.0750.5AD	M 4	75	7.0	4.0	20.0	3	Natural	Ti-G5
91T.040.0800.5AD	M 4	80	7.0	4.0	20.0	3	Natural	Ti-G5
91T.050.0060.5AD	M 5	6	8.5	5.0	-	4	Natural	Ti-G5
91T.050.0080.5AD	M 5	8	8.5	5.0	-	4	Natural	Ti-G5
91T.050.0100.5AD	M 5	10	8.5	5.0	-	4	Natural	Ti-G5
91T.050.0120.5AD	M 5	12	8.5	5.0	-	4	Natural	Ti-G5
91T.050.0150.5AD	M 5	15	8.5	5.0	-	4	Natural	Ti-G5
91T.050.0160.5AD	M 5	16	8.5	5.0	-	4	Natural	Ti-G5
91T.050.0200.5AD	M 5	20	8.5	5.0	-	4	Natural	Ti-G5
91T.050.0250.5AD	M 5	25	8.5	5.0	22.0	4	Natural	Ti-G5
91T.050.0300.5AD	M 5	30	8.5	5.0	22.0	4	Natural	Ti-G5
91T.050.0350.5AD	M 5	35	8.5	5.0	22.0	4	Natural	Ti-G5
91T.050.0400.5AD	M 5	40	8.5	5.0	22.0	4	Natural	Ti-G5
91T.050.0450.5AD	M 5	45	8.5	5.0	22.0	4	Natural	Ti-G5
91T.050.0500.5AD	M 5	50	8.5	5.0	22.0	4	Natural	Ti-G5
91T.050.0550.5AD	M 5	55	8.5	5.0	22.0	4	Natural	Ti-G5
91T.050.0600.5AD	M 5	60	8.5	5.0	22.0	4	Natural	Ti-G5
91T.050.0650.5AD	M 5	65	8.5	5.0	22.0	4	Natural	Ti-G5
91T.050.0700.5AD	M 5	70	8.5	5.0	22.0	4	Natural	Ti-G5
91T.050.0750.5AD	M 5	75	8.5	5.0	22.0	4	Natural	Ti-G5
91T.050.0800.5AD	M 5	80	8.5	5.0	22.0	4	Natural	Ti-G5
91T.050.0850.5AD	M 5	85	8.5	5.0	22.0	4	Natural	Ti-G5
91T.050.0900.5AD	M 5	90	8.5	5.0	22.0	4	Natural	Ti-G5
91T.050.0950.5AD	M 5	95	8.5	5.0	22.0	4	Natural	Ti-G5
91T.050.1000.5AD	M 5	100	8.5	5.0	22.0	4	Natural	Ti-G5
91T.060.0060.5AD	M 6	6	10.0	6.0	-	5	Natural	Ti-G5
91T.060.0080.5AD	M 6	8	10.0	6.0	-	5	Natural	Ti-G5
91T.060.0100.5AD	M 6	10	10.0	6.0	-	5	Natural	Ti-G5
91T.060.0120.5AD	M 6	12	10.0	6.0	-	5	Natural	Ti-G5
91T.060.0150.5AD	M 6	15	10.0	6.0	-	5	Natural	Ti-G5
91T.060.0160.5AD	M 6	16	10.0	6.0	-	5	Natural	Ti-G5
91T.060.0200.5AD	M 6	20	10.0	6.0	-	5	Natural	Ti-G5
91T.060.0250.5AD	M 6	25	10.0	6.0	24.0	5	Natural	Ti-G5
91T.060.0300.5AD	M 6	30	10.0	6.0	24.0	5	Natural	Ti-G5
91T.060.0350.5AD	M 6	35	10.0	6.0	24.0	5	Natural	Ti-G5
91T.060.0400.5AD	M 6	40	10.0	6.0	24.0	5	Natural	Ti-G5
91T.060.0450.5AD	M 6	45	10.0	6.0	24.0	5	Natural	Ti-G5
91T.060.0500.5AD	M 6	50	10.0	6.0	24.0	5	Natural	Ti-G5
91T.060.0550.5AD	M 6	55	10.0	6.0	24.0	5	Natural	Ti-G5
91T.060.0600.5AD	M 6	60	10.0	6.0	24.0	5	Natural	Ti-G5
91T.060.0650.5AD	M 6	65	10.0	6.0	24.0	5	Natural	Ti-G5
91T.060.0700.5AD	M 6	70	10.0	6.0	24.0	5	Natural	Ti-G5
91T.060.0750.5AD	M 6	75	10.0	6.0	24.0	5	Natural	Ti-G5
91T.060.0800.5AD	M 6	80	10.0	6.0	24.0	5	Natural	Ti-G5
91T.060.0850.5AD	M 6	85	10.0	6.0	24.0	5	Natural	Ti-G5
91T.060.0900.5AD	M 6	90	10.0	6.0	24.0	5	Natural	Ti-G5
91T.060.0950.5AD	M 6	95	10.0	6.0	24.0	5	Natural	Ti-G5
91T.060.1000.5AD	M 6	100	10.0	6.0	24.0	5	Natural	Ti-G5
91T.060.1100.5AD	M 6	110	10.0	6.0	24.0	5	Natural	Ti-G5



Socket Cap Screw - M2 - M8

DIN 912 Gr.5

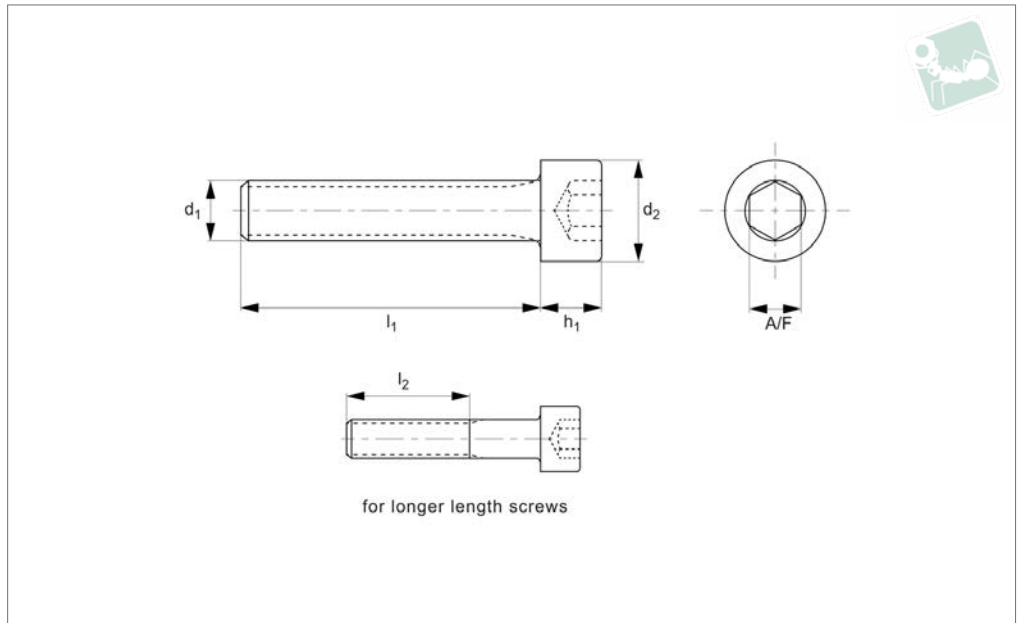
Titanium

Order No.	d ₁	l ₁	d ₂	h ₁	l ₂	A/F	Finish	Material
91T.060.1200.5AD	M 6	120	10.0	6.0	24.0	5	Natural	Ti-G5
91T.060.1300.5AD	M 6	130	10.0	6.0	24.0	5	Natural	Ti-G5
91T.060.1400.5AD	M 6	140	10.0	6.0	24.0	5	Natural	Ti-G5
91T.060.1500.5AD	M 6	150	10.0	6.0	24.0	5	Natural	Ti-G5
91T.080.0100.5AD	M 8	10	13.0	8.0	-	6	Natural	Ti-G5
91T.080.0120.5AD	M 8	12	13.0	8.0	-	6	Natural	Ti-G5
91T.080.0150.5AD	M 8	15	13.0	8.0	-	6	Natural	Ti-G5
91T.080.0160.5AD	M 8	16	13.0	8.0	-	6	Natural	Ti-G5
91T.080.0200.5AD	M 8	20	13.0	8.0	-	6	Natural	Ti-G5
91T.080.0250.5AD	M 8	25	13.0	8.0	-	6	Natural	Ti-G5
91T.080.0300.5AD	M 8	30	13.0	8.0	28.0	6	Natural	Ti-G5
91T.080.0350.5AD	M 8	35	13.0	8.0	28.0	6	Natural	Ti-G5
91T.080.0400.5AD	M 8	40	13.0	8.0	28.0	6	Natural	Ti-G5
91T.080.0450.5AD	M 8	45	13.0	8.0	28.0	6	Natural	Ti-G5
91T.080.0500.5AD	M 8	50	13.0	8.0	28.0	6	Natural	Ti-G5
91T.080.0550.5AD	M 8	55	13.0	8.0	28.0	6	Natural	Ti-G5
91T.080.0600.5AD	M 8	60	13.0	8.0	28.0	6	Natural	Ti-G5
91T.080.0650.5AD	M 8	65	13.0	8.0	28.0	6	Natural	Ti-G5
91T.080.0700.5AD	M 8	70	13.0	8.0	28.0	6	Natural	Ti-G5
91T.080.0750.5AD	M 8	75	13.0	8.0	28.0	6	Natural	Ti-G5

TITANIUM



T0010.91T.4



TITANIUM

Material

Titanium Grade 5 (aerospace grade Ti 6Al-4V Titanium alloy, good strength to weight ratio, corrosion resistant).

Technical Notes

Items to DIN 912 where stated in data

table.

For the majority of screw lengths the threads goes all the way to the head of the screw (i.e. $l_1 = l_2$) less 2.5 thread pitches.

For longer length screws the threaded portion $l_2 < l_1$.

Order No.	d ₁	l ₁	d ₂	h ₁	l ₂	A/F	Grade	Finish	Material	To standard
91T.080.0850.5AD	M 8	85	13	8	28	6	Aero	Natural	Ti-G5	DIN 912
91T.080.0900.5AD	M 8	90	13	8	28	6	Aero	Natural	Ti-G5	DIN 912
91T.080.0950.5AD	M 8	95	13	8	28	6	Aero	Natural	Ti-G5	DIN 912
91T.080.1000.5AD	M 8	100	13	8	28	6	Aero	Natural	Ti-G5	DIN 912
91T.080.1100.5AD	M 8	110	13	8	28	6	Aero	Natural	Ti-G5	DIN 912
91T.080.1200.5AD	M 8	120	13	8	28	6	Aero	Natural	Ti-G5	DIN 912
91T.080.1300.5AD	M 8	130	13	8	28	6	Aero	Natural	Ti-G5	DIN 912
91T.080.1400.5AD	M 8	140	13	8	28	6	Aero	Natural	Ti-G5	DIN 912
91T.080.1500.5AD	M 8	150	13	8	28	6	Aero	Natural	Ti-G5	DIN 912
91T.100.0150.5AD	M10	15	16	10	-	8	Aero	Natural	Ti-G5	DIN 912
91T.100.0160.5AD	M10	16	16	10	-	8	Aero	Natural	Ti-G5	DIN 912
91T.100.0200.5AD	M10	20	16	10	-	8	Aero	Natural	Ti-G5	DIN 912
91T.100.0250.5AD	M10	25	16	10	-	8	Aero	Natural	Ti-G5	DIN 912
91T.100.0300.5AD	M10	30	16	10	-	8	Aero	Natural	Ti-G5	DIN 912
91T.100.0350.5AD	M10	35	16	10	32	8	Aero	Natural	Ti-G5	DIN 912
91T.100.0400.5AD	M10	40	16	10	32	8	Aero	Natural	Ti-G5	DIN 912
91T.100.0450.5AD	M10	45	16	10	32	8	Aero	Natural	Ti-G5	DIN 912
91T.100.0500.5AD	M10	50	16	10	32	8	Aero	Natural	Ti-G5	DIN 912
91T.100.0550.5AD	M10	55	16	10	32	8	Aero	Natural	Ti-G5	DIN 912
91T.100.0600.5AD	M10	60	16	10	32	8	Aero	Natural	Ti-G5	DIN 912
91T.100.0650.5AD	M10	65	16	10	32	8	Aero	Natural	Ti-G5	DIN 912
91T.100.0700.5AD	M10	70	16	10	32	8	Aero	Natural	Ti-G5	DIN 912
91T.100.0750.5AD	M10	75	16	10	32	8	Aero	Natural	Ti-G5	DIN 912
91T.100.0800.5AD	M10	80	16	10	32	8	Aero	Natural	Ti-G5	DIN 912
91T.100.0850.5AD	M10	85	16	10	32	8	Aero	Natural	Ti-G5	DIN 912
91T.100.0900.5AD	M10	90	16	10	32	8	Aero	Natural	Ti-G5	DIN 912
91T.100.0950.5AD	M10	95	16	10	32	8	Aero	Natural	Ti-G5	DIN 912
91T.100.1000.5AD	M10	100	16	10	32	8	Aero	Natural	Ti-G5	DIN 912
91T.100.1100.5AD	M10	110	16	10	32	8	Aero	Natural	Ti-G5	DIN 912
91T.100.1200.5AD	M10	120	16	10	32	8	Aero	Natural	Ti-G5	DIN 912
91T.100.1300.5AD	M10	130	16	10	32	8	Aero	Natural	Ti-G5	DIN 912
91T.100.1400.5AD	M10	140	16	10	32	8	Aero	Natural	Ti-G5	DIN 912



Socket Cap Screw - M8 - M20

DIN 912 Gr.5

Titanium

Order No.	d ₁	l ₁	d ₂	h ₁	l ₂	A/F	Grade	Finish	Material	To standard
91T.100.1500.5AD	M10	150	16	10	32	8	Aero	Natural	Ti-G5	DIN 912
91T.120.0200.5AD	M12	20	19	12	34	10	Aero	Natural	Ti-G5	DIN 912
91T.120.0250.5AD	M12	25	19	12	34	10	Aero	Natural	Ti-G5	DIN 912
91T.120.0300.5AD	M12	30	19	12	34	10	Aero	Natural	Ti-G5	DIN 912
91T.120.0350.5AD	M12	35	19	12	34	10	Aero	Natural	Ti-G5	DIN 912
91T.120.0400.5AD	M12	40	19	12	34	10	Aero	Natural	Ti-G5	DIN 912
91T.120.0450.5AD	M12	45	19	12	34	10	Aero	Natural	Ti-G5	DIN 912
91T.120.0500.5AD	M12	50	19	12	34	10	Aero	Natural	Ti-G5	DIN 912
91T.120.0550.5AD	M12	55	19	12	34	10	Aero	Natural	Ti-G5	DIN 912
91T.120.0600.5AD	M12	60	19	12	34	10	Aero	Natural	Ti-G5	DIN 912
91T.120.0650.5AD	M12	65	19	12	34	10	Aero	Natural	Ti-G5	DIN 912
91T.120.0700.5AD	M12	70	19	12	34	10	Aero	Natural	Ti-G5	DIN 912
91T.120.0750.5AD	M12	75	19	12	34	10	Aero	Natural	Ti-G5	DIN 912
91T.120.0800.5AD	M12	80	19	12	34	10	Aero	Natural	Ti-G5	DIN 912
91T.120.0850.5AD	M12	85	19	12	34	10	Aero	Natural	Ti-G5	DIN 912
91T.120.0900.5AD	M12	90	19	12	34	10	Aero	Natural	Ti-G5	DIN 912
91T.120.0950.5AD	M12	95	19	12	34	10	Aero	Natural	Ti-G5	DIN 912
91T.120.1000.5AD	M12	100	19	12	34	10	Aero	Natural	Ti-G5	DIN 912
91T.120.1100.5AD	M12	110	19	12	34	10	Aero	Natural	Ti-G5	DIN 912
91T.120.1200.5AD	M12	120	19	12	34	10	Aero	Natural	Ti-G5	DIN 912
91T.120.1300.5AD	M12	130	19	12	34	10	Aero	Natural	Ti-G5	DIN 912
91T.120.1400.5AD	M12	140	19	12	34	10	Aero	Natural	Ti-G5	DIN 912
91T.120.1500.5AD	M12	150	19	12	34	10	Aero	Natural	Ti-G5	DIN 912
91T.140.0200.5AD	M14	20	22	14	36	12	Aero	Natural	Ti-G5	DIN 912
91T.140.0250.5AD	M14	25	22	14	36	12	Aero	Natural	Ti-G5	DIN 912
91T.140.0300.5AD	M14	30	22	14	36	12	Aero	Natural	Ti-G5	DIN 912
91T.140.0350.5AD	M14	35	22	14	36	12	Aero	Natural	Ti-G5	DIN 912
91T.140.0400.5AD	M14	40	22	14	36	12	Aero	Natural	Ti-G5	DIN 912
91T.140.0450.5AD	M14	45	22	14	36	12	Aero	Natural	Ti-G5	DIN 912
91T.140.0500.5AD	M14	50	22	14	36	12	Aero	Natural	Ti-G5	DIN 912
91T.140.0550.5AD	M14	55	22	14	36	12	Aero	Natural	Ti-G5	DIN 912
91T.140.0600.5AD	M14	60	22	14	36	12	Aero	Natural	Ti-G5	DIN 912
91T.140.0650.5AD	M14	65	22	14	36	12	Aero	Natural	Ti-G5	DIN 912
91T.140.0700.5AD	M14	70	22	14	36	12	Aero	Natural	Ti-G5	DIN 912
91T.140.0750.5AD	M14	75	22	14	36	12	Aero	Natural	Ti-G5	DIN 912
91T.140.0800.5AD	M14	80	22	14	36	12	Aero	Natural	Ti-G5	DIN 912
91T.140.0850.5AD	M14	85	22	14	36	12	Aero	Natural	Ti-G5	DIN 912
91T.140.0900.5AD	M14	90	22	14	36	12	Aero	Natural	Ti-G5	DIN 912
91T.140.0950.5AD	M14	95	22	14	36	12	Aero	Natural	Ti-G5	DIN 912
91T.140.1000.5AD	M14	100	22	14	36	12	Aero	Natural	Ti-G5	DIN 912
91T.140.1100.5AD	M14	110	22	14	36	12	Aero	Natural	Ti-G5	DIN 912
91T.140.1200.5AD	M14	120	22	14	36	12	Aero	Natural	Ti-G5	DIN 912
91T.140.1300.5AD	M14	130	22	14	36	12	Aero	Natural	Ti-G5	DIN 912
91T.140.1400.5AD	M14	140	22	14	36	12	Aero	Natural	Ti-G5	DIN 912
91T.140.1500.5AD	M14	150	22	14	36	12	Aero	Natural	Ti-G5	DIN 912
91T.160.0200.5AD	M16	20	25	16	38	14	Aero	Natural	Ti-G5	DIN 912
91T.160.0250.5AD	M16	25	25	16	38	14	Aero	Natural	Ti-G5	DIN 912
91T.160.0300.5AD	M16	30	25	16	38	14	Aero	Natural	Ti-G5	DIN 912
91T.160.0350.5AD	M16	35	25	16	38	14	Aero	Natural	Ti-G5	DIN 912
91T.160.0400.5AD	M16	40	25	16	38	14	Aero	Natural	Ti-G5	DIN 912
91T.160.0450.5AD	M16	45	25	16	38	14	Aero	Natural	Ti-G5	DIN 912
91T.160.0500.5AD	M16	50	25	16	38	14	Aero	Natural	Ti-G5	DIN 912
91T.160.0550.5AD	M16	55	25	16	38	14	Aero	Natural	Ti-G5	DIN 912
91T.160.0600.5AD	M16	60	25	16	38	14	Aero	Natural	Ti-G5	DIN 912
91T.160.0650.5AD	M16	65	25	16	38	14	Aero	Natural	Ti-G5	DIN 912
91T.160.0700.5AD	M16	70	25	16	38	14	Aero	Natural	Ti-G5	DIN 912
91T.160.0750.5AD	M16	75	25	16	38	14	Aero	Natural	Ti-G5	DIN 912
91T.160.0800.5AD	M16	80	25	16	38	14	Aero	Natural	Ti-G5	DIN 912
91T.160.0850.5AD	M16	85	25	16	38	14	Aero	Natural	Ti-G5	DIN 912
91T.160.0900.5AD	M16	90	25	16	38	14	Aero	Natural	Ti-G5	DIN 912
91T.160.0950.5AD	M16	95	25	16	38	14	Aero	Natural	Ti-G5	DIN 912
91T.160.1000.5AD	M16	100	25	16	38	14	Aero	Natural	Ti-G5	DIN 912
91T.160.1100.5AD	M16	110	25	16	38	14	Aero	Natural	Ti-G5	DIN 912
91T.160.1200.5AD	M16	120	25	16	38	14	Aero	Natural	Ti-G5	DIN 912
91T.160.1300.5AD	M16	130	25	16	38	14	Aero	Natural	Ti-G5	DIN 912
91T.160.1400.5AD	M16	140	25	16	38	14	Aero	Natural	Ti-G5	DIN 912
91T.160.1500.5AD	M16	150	25	16	38	14	Aero	Natural	Ti-G5	DIN 912
91T.200.0200.5AD	M20	20	31	20	42	18	Aero	Natural	Ti-G5	DIN 912
91T.200.0250.5AD	M20	25	31	20	42	18	Aero	Natural	Ti-G5	DIN 912

TITANIUM



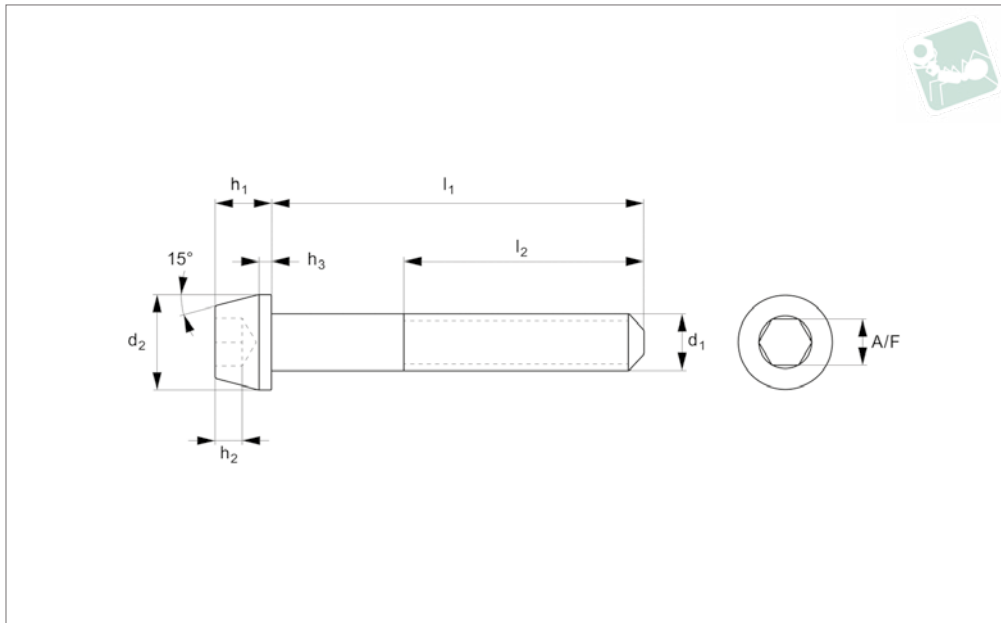
Order No.	d ₁	l ₁	d ₂	h ₁	l ₂	A/F	Grade	Finish	Material	To standard
91T.200.0300.5AD	M20	30	31	20	42	18	Aero	Natural	Ti-G5	DIN 912
91T.200.0350.5AD	M20	35	31	20	42	18	Aero	Natural	Ti-G5	DIN 912
91T.200.0400.5AD	M20	40	31	20	42	18	Aero	Natural	Ti-G5	DIN 912
91T.200.0450.5AD	M20	45	31	20	42	18	Aero	Natural	Ti-G5	DIN 912
91T.200.0500.5AD	M20	50	31	20	42	18	Aero	Natural	Ti-G5	DIN 912
91T.200.0550.5AD	M20	55	31	20	42	18	Aero	Natural	Ti-G5	DIN 912
91T.200.0600.5AD	M20	60	31	20	42	18	Aero	Natural	Ti-G5	DIN 912
91T.200.0650.5AD	M20	65	31	20	42	18	Aero	Natural	Ti-G5	DIN 912
91T.200.0700.5AD	M20	70	31	20	42	18	Aero	Natural	Ti-G5	DIN 912
91T.200.0750.5AD	M20	75	31	20	42	18	Aero	Natural	Ti-G5	DIN 912
91T.200.0800.5AD	M20	80	31	20	42	18	Aero	Natural	Ti-G5	DIN 912
91T.200.0850.5AD	M20	85	31	20	42	18	Aero	Natural	Ti-G5	DIN 912
91T.200.0900.5AD	M20	90	31	20	42	18	Aero	Natural	Ti-G5	DIN 912
91T.200.0950.5AD	M20	95	31	20	42	18	Aero	Natural	Ti-G5	DIN 912
91T.200.1000.5AD	M20	100	31	20	42	18	Aero	Natural	Ti-G5	DIN 912
91T.200.1100.5AD	M20	110	31	20	42	18	Aero	Natural	Ti-G5	DIN 912
91T.200.1200.5AD	M20	120	31	20	42	18	Aero	Natural	Ti-G5	DIN 912
91T.200.1300.5AD	M20	130	31	20	42	18	Aero	Natural	Ti-G5	DIN 912
91T.200.1400.5AD	M20	140	31	20	42	18	Aero	Natural	Ti-G5	DIN 912
91T.200.1500.5AD	M20	150	31	20	42	18	Aero	Natural	Ti-G5	DIN 912



Socket Tapered Cap Screw

titanium 5

Titanium



T0016.T5

TITANIUM

Material
Titanium 5 (6AL-4V).

Technical Notes
DIN 912

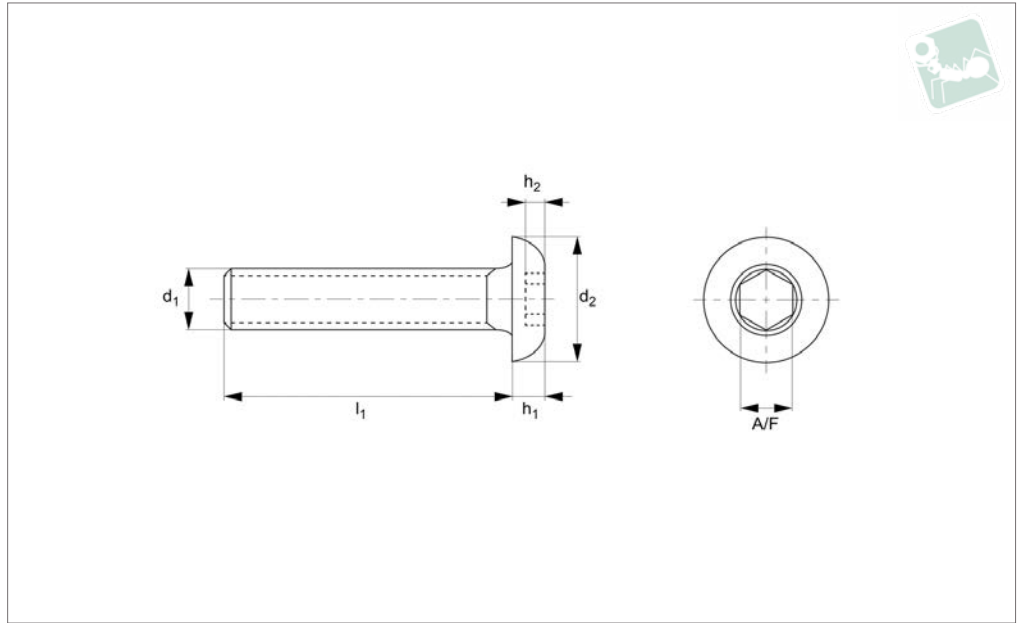
Order No.	Thread d_1	l_1	d_2	h_1	h_2	h_3	l_2	R	A/F	Material
T0016.030-030	M 3	30	5.5	3	1.3	1.0	18	0.1	2.5	Titanium 5
T0016.040-050	M 4	50	7.0	4	2.0	1.0	20	0.2	3.0	Titanium 5
T0016.050-060	M 5	60	8.5	5	2.5	1.3	22	0.2	4.0	Titanium 5
T0016.060-140	M 6	140	10.0	6	3.0	1.3	24	0.25	5.0	Titanium 5
T0016.070-140	M 7	140	12.0	7	3.5	1.7	26	0.3	5.0	Titanium 5
T0016.080-140	M 8	140	13.0	8	4.0	1.8	28	0.4	6.0	Titanium 5
T0016.100-140	M10	140	16.0	10	5.0	2.0	32	0.4	8.0	Titanium 5
T0016.120-140	M12	140	18.0	12	6.0	2.2	36	0.6	10.0	Titanium 5



TITANIUM



T0019.T2



Material
Titanium G2.

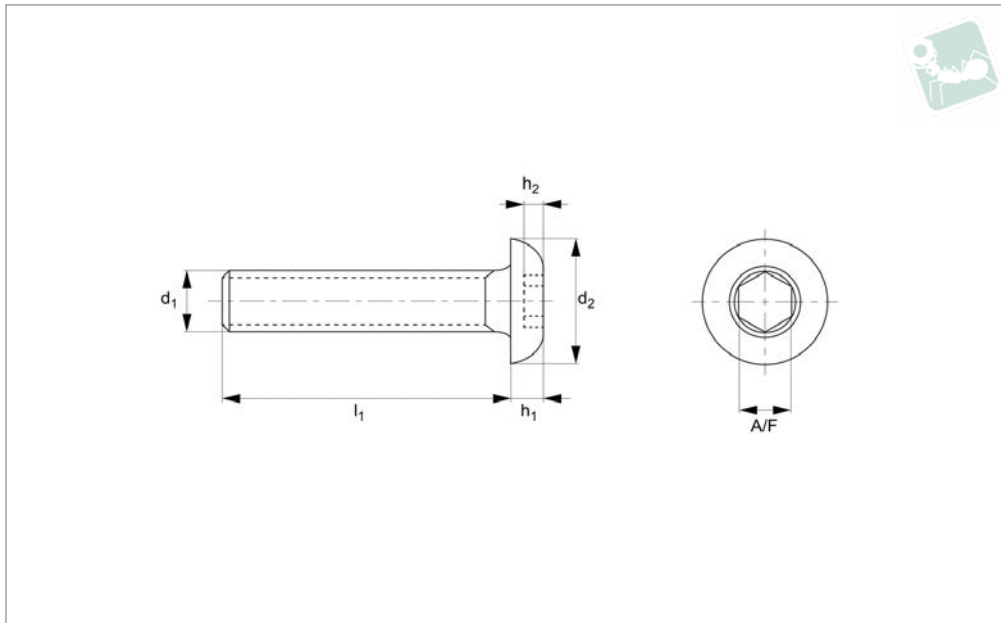
Order No.	Thread	l_1	d_2	h_1	h_2	A/F
T0019.050-016-T2-A	M 5	16.0	9.0	3.0	1.56	3.0
T0019.050-016-T2-B	M 5	16.0	10.5	3.0	1.56	3.0
T0019.050-025-T2-A	M 5	25.0	9.0	3.0	1.56	3.0
T0019.050-025-T2-B	M 5	25.0	10.5	3.0	1.56	3.0
T0019.060-016-T2-A	M 6	16.0	10.5	3.3	2.08	4.0
T0019.060-016-T2-B	M 6	16.0	16.0	3.3	2.08	4.0
T0019.060-025-T2-A	M 6	25.0	10.5	3.3	2.08	4.0
T0019.060-025-T2-B	M 6	25.0	16.0	3.3	2.08	4.0
T0019.080-020-T2-A	M 8	20.0	14.0	4.5	2.08	5.0
T0019.080-020-T2-B	M 8	20.0	16.0	4.5	2.08	5.0
T0019.080-030-T2-A	M 8	30.0	14.0	4.5	2.08	5.0
T0019.080-030-T2-B	M 8	30.0	16.0	4.5	2.08	5.0



Buttonhead Socket Cap Screw

ISO 7380, titanium 5

Titanium



T0019.T5

TITANIUM

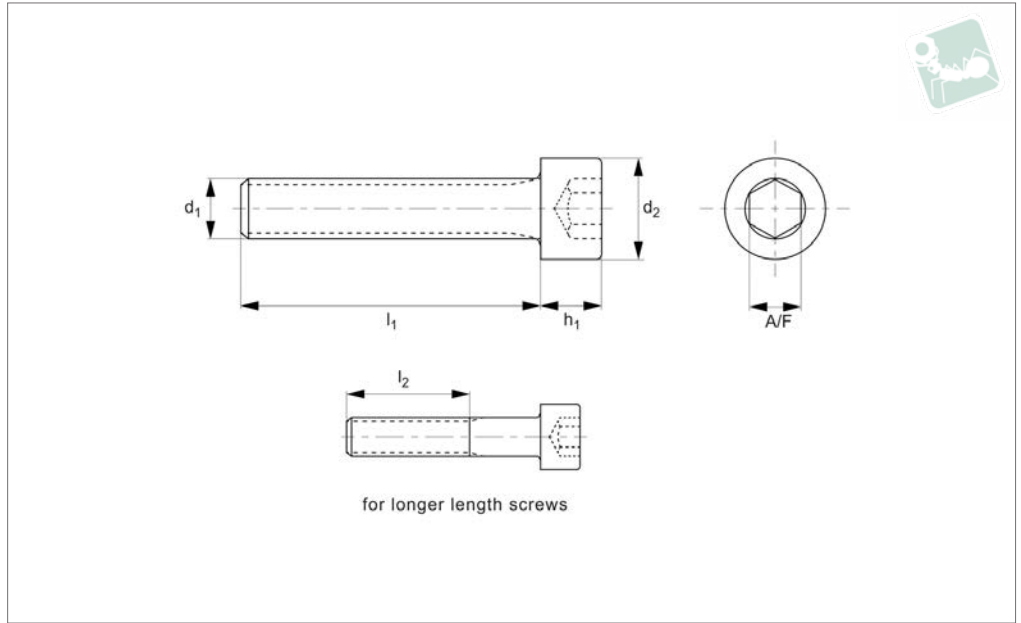
Material

Titanium 5 (6AL-4V).

Order No.	Thread	l_1	d_2	h_1	h_2	A/F
T0019.050-016-T5-A	M 5	16.0	9.0	3.0	1.56	3.0
T0019.050-016-T5-B	M 5	16.0	10.5	3.0	1.56	3.0
T0019.050-025-T5-A	M 5	25.0	9.0	3.0	1.56	3.0
T0019.050-025-T5-B	M 5	25.0	10.5	3.0	1.56	3.0
T0019.060-016-T5-A	M 6	16.0	10.5	3.3	2.08	4.0
T0019.060-016-T5-B	M 6	16.0	16.0	3.3	2.08	4.0
T0019.060-025-T5-A	M 6	25.0	10.5	3.3	2.08	4.0
T0019.060-025-T5-B	M 6	25.0	16.0	3.3	2.08	4.0
T0019.080-020-T5-A	M 8	20.0	14.0	4.5	2.08	5.0
T0019.080-020-T5-B	M 8	20.0	16.0	4.5	2.08	5.0
T0019.080-030-T5-A	M 8	30.0	14.0	4.5	2.08	5.0
T0019.080-030-T5-B	M 8	30.0	16.0	4.5	2.08	5.0



T0010.91T.1



Material

Titanium Grade 2 (commercial grade, high corrosion resistance, strong weldability, standard strength).

Technical Notes

Items to DIN 912 where stated in data

table.

For the majority of screw lengths the threads goes all the way to the head of the screw (i.e. $l_1 = l_2$) less 2.5 thread pitches.

For longer length screws the threaded portion $l_2 < l_1$.

Order No.	Finish	d ₁	l ₁	d ₂	h ₁	l ₂	A/F	Grade	Material	To standard
91T.020.0060.2AD	Natural	M 2	6	4.0	2.0	-	2	Comm	Ti-G2	DIN 912
91T.020.0080.2AD	Natural	M 2	8	4.0	2.0	-	2	Comm	Ti-G2	DIN 912
91T.020.0100.2AD	Natural	M 2	10	4.0	2.0	-	2	Comm	Ti-G2	DIN 912
91T.020.0120.2AD	Natural	M 2	12	4.0	2.0	-	2	Comm	Ti-G2	DIN 912
91T.020.0150.2AD	Natural	M 2	15	4.0	2.0	-	2	Comm	Ti-G2	DIN 912
91T.020.0160.2AD	Natural	M 2	16	4.0	2.0	-	2	Comm	Ti-G2	DIN 912
91T.020.0200.2AD	Natural	M 2	20	4.0	2.0	18.0	2	Comm	Ti-G2	DIN 912
91T.020.0250.2AD	Natural	M 2	25	4.0	2.0	18.0	2	Comm	Ti-G2	DIN 912
91T.020.0300.2AD	Natural	M 2	30	4.0	2.0	18.0	2	Comm	Ti-G2	DIN 912
91T.025.0060.2AD	Natural	M2,5	6	5.0	2.5	-	2	Comm	Ti-G2	DIN 912
91T.025.0080.2AD	Natural	M2,5	8	5.0	2.5	-	2	Comm	Ti-G2	DIN 912
91T.025.0100.2AD	Natural	M2,5	10	5.0	2.5	-	2	Comm	Ti-G2	DIN 912
91T.025.0120.2AD	Natural	M2,5	12	5.0	2.5	-	2	Comm	Ti-G2	DIN 912
91T.025.0150.2AD	Natural	M2,5	15	5.0	2.5	-	2	Comm	Ti-G2	DIN 912
91T.025.0160.2AD	Natural	M2,5	16	5.0	2.5	-	2	Comm	Ti-G2	DIN 912
91T.025.0200.2AD	Natural	M2,5	20	5.0	2.5	18.5	2	Comm	Ti-G2	DIN 912
91T.025.0250.2AD	Natural	M2,5	25	5.0	2.5	18.5	2	Comm	Ti-G2	DIN 912
91T.025.0300.2AD	Natural	M2,5	30	5.0	2.5	18.5	2	Comm	Ti-G2	DIN 912
91T.025.0350.2AD	Natural	M2,5	35	5.0	2.5	18.5	2	Comm	Ti-G2	DIN 912
91T.025.0400.2AD	Natural	M2,5	40	5.0	2.5	18.5	2	Comm	Ti-G2	DIN 912
91T.030.0060.2AD	Natural	M 3	6	5.5	3.0	-	2	Comm	Ti-G2	DIN 912
91T.030.0080.2AD	Natural	M 3	8	5.5	3.0	-	2	Comm	Ti-G2	DIN 912
91T.030.0100.2AD	Natural	M 3	10	5.5	3.0	-	2	Comm	Ti-G2	DIN 912
91T.030.0120.2AD	Natural	M 3	12	5.5	3.0	-	2	Comm	Ti-G2	DIN 912
91T.030.0150.2AD	Natural	M 3	15	5.5	3.0	-	2	Comm	Ti-G2	DIN 912
91T.030.0160.2AD	Natural	M 3	16	5.5	3.0	-	2	Comm	Ti-G2	DIN 912
91T.030.0200.2AD	Natural	M 3	20	5.5	3.0	19.0	2	Comm	Ti-G2	DIN 912
91T.030.0250.2AD	Natural	M 3	25	5.5	3.0	19.0	2	Comm	Ti-G2	DIN 912
91T.030.0300.2AD	Natural	M 3	30	5.5	3.0	19.0	2	Comm	Ti-G2	DIN 912
91T.030.0350.2AD	Natural	M 3	35	5.5	3.0	19.0	2	Comm	Ti-G2	DIN 912
91T.030.0400.2AD	Natural	M 3	40	5.5	3.0	19.0	2	Comm	Ti-G2	DIN 912
91T.030.0450.2AD	Natural	M 3	45	5.5	3.0	19.0	2	Comm	Ti-G2	DIN 912



Socket Cap Screw - M2 - M6

DIN 912 Gr.2

Titanium

Order No.	Finish	d ₁	l ₁	d ₂	h ₁	l ₂	A/F	Grade	Material	To standard
91T.030.0500.2AD	Natural	M 3	50	5.5	3.0	19.0	2	Comm	Ti-G2	DIN 912
91T.030.0550.2AD	Natural	M 3	55	5.5	3.0	19.0	2	Comm	Ti-G2	DIN 912
91T.030.0600.2AD	Natural	M 3	60	5.5	3.0	19.0	2	Comm	Ti-G2	DIN 912
91T.040.0060.2AD	Natural	M 4	6	7.0	4.0	-	3	Comm	Ti-G2	DIN 912
91T.040.0080.2AD	Natural	M 4	8	7.0	4.0	-	3	Comm	Ti-G2	DIN 912
91T.040.0100.2AD	Natural	M 4	10	7.0	4.0	-	3	Comm	Ti-G2	DIN 912
91T.040.0120.2AD	Natural	M 4	12	7.0	4.0	-	3	Comm	Ti-G2	DIN 912
91T.040.0150.2AD	Natural	M 4	15	7.0	4.0	-	3	Comm	Ti-G2	DIN 912
91T.040.0160.2AD	Natural	M 4	16	7.0	4.0	-	3	Comm	Ti-G2	DIN 912
91T.040.0200.2AD	Natural	M 4	20	7.0	4.0	20.0	3	Comm	Ti-G2	DIN 912
91T.040.0250.2AD	Natural	M 4	25	7.0	4.0	20.0	3	Comm	Ti-G2	DIN 912
91T.040.0300.2AD	Natural	M 4	30	7.0	4.0	20.0	3	Comm	Ti-G2	DIN 912
91T.040.0350.2AD	Natural	M 4	35	7.0	4.0	20.0	3	Comm	Ti-G2	DIN 912
91T.040.0400.2AD	Natural	M 4	40	7.0	4.0	20.0	3	Comm	Ti-G2	DIN 912
91T.040.0450.2AD	Natural	M 4	45	7.0	4.0	20.0	3	Comm	Ti-G2	DIN 912
91T.040.0500.2AD	Natural	M 4	50	7.0	4.0	20.0	3	Comm	Ti-G2	DIN 912
91T.040.0550.2AD	Natural	M 4	55	7.0	4.0	20.0	3	Comm	Ti-G2	DIN 912
91T.040.0600.2AD	Natural	M 4	60	7.0	4.0	20.0	3	Comm	Ti-G2	DIN 912
91T.040.0650.2AD	Natural	M 4	65	7.0	4.0	20.0	3	Comm	Ti-G2	DIN 912
91T.040.0700.2AD	Natural	M 4	70	7.0	4.0	20.0	3	Comm	Ti-G2	DIN 912
91T.040.0750.2AD	Natural	M 4	75	7.0	4.0	20.0	3	Comm	Ti-G2	DIN 912
91T.040.0800.2AD	Natural	M 4	80	7.0	4.0	20.0	3	Comm	Ti-G2	DIN 912
91T.050.0060.2AD	Natural	M 5	6	8.5	5.0	-	4	Comm	Ti-G2	DIN 912
91T.050.0080.2AD	Natural	M 5	8	8.5	5.0	-	4	Comm	Ti-G2	DIN 912
91T.050.0100.2AD	Natural	M 5	10	8.5	5.0	-	4	Comm	Ti-G2	DIN 912
91T.050.0120.2AD	Natural	M 5	12	8.5	5.0	-	4	Comm	Ti-G2	DIN 912
91T.050.0150.2AD	Natural	M 5	15	8.5	5.0	-	4	Comm	Ti-G2	DIN 912
91T.050.0160.2AD	Natural	M 5	16	8.5	5.0	-	4	Comm	Ti-G2	DIN 912
91T.050.0200.2AD	Natural	M 5	20	8.5	5.0	-	4	Comm	Ti-G2	DIN 912
91T.050.0250.2AD	Natural	M 5	25	8.5	5.0	22.0	4	Comm	Ti-G2	DIN 912
91T.050.0300.2AD	Natural	M 5	30	8.5	5.0	22.0	4	Comm	Ti-G2	DIN 912
91T.050.0350.2AD	Natural	M 5	35	8.5	5.0	22.0	4	Comm	Ti-G2	DIN 912
91T.050.0400.2AD	Natural	M 5	40	8.5	5.0	22.0	4	Comm	Ti-G2	DIN 912
91T.050.0450.2AD	Natural	M 5	45	8.5	5.0	22.0	4	Comm	Ti-G2	DIN 912
91T.050.0500.2AD	Natural	M 5	50	8.5	5.0	22.0	4	Comm	Ti-G2	DIN 912
91T.050.0550.2AD	Natural	M 5	55	8.5	5.0	22.0	4	Comm	Ti-G2	DIN 912
91T.050.0600.2AD	Natural	M 5	60	8.5	5.0	22.0	4	Comm	Ti-G2	DIN 912
91T.050.0650.2AD	Natural	M 5	65	8.5	5.0	22.0	4	Comm	Ti-G2	DIN 912
91T.050.0700.2AD	Natural	M 5	70	8.5	5.0	22.0	4	Comm	Ti-G2	DIN 912
91T.050.0750.2AD	Natural	M 5	75	8.5	5.0	22.0	4	Comm	Ti-G2	DIN 912
91T.050.0800.2AD	Natural	M 5	80	8.5	5.0	22.0	4	Comm	Ti-G2	DIN 912
91T.050.0850.2AD	Natural	M 5	85	8.5	5.0	22.0	4	Comm	Ti-G2	DIN 912
91T.050.0900.2AD	Natural	M 5	90	8.5	5.0	22.0	4	Comm	Ti-G2	DIN 912
91T.050.0950.2AD	Natural	M 5	95	8.5	5.0	22.0	4	Comm	Ti-G2	DIN 912
91T.050.1000.2AD	Natural	M 5	100	8.5	5.0	22.0	4	Comm	Ti-G2	DIN 912
91T.060.0060.2AD	Natural	M 6	6	10.0	6.0	-	5	Comm	Ti-G2	DIN 912
91T.060.0080.2AD	Natural	M 6	8	10.0	6.0	-	5	Comm	Ti-G2	DIN 912
91T.060.0100.2AD	Natural	M 6	10	10.0	6.0	-	5	Comm	Ti-G2	DIN 912
91T.060.0120.2AD	Natural	M 6	12	10.0	6.0	-	5	Comm	Ti-G2	DIN 912
91T.060.0150.2AD	Natural	M 6	15	10.0	6.0	-	5	Comm	Ti-G2	DIN 912
91T.060.0160.2AD	Natural	M 6	16	10.0	6.0	-	5	Comm	Ti-G2	DIN 912
91T.060.0200.2AD	Natural	M 6	20	10.0	6.0	-	5	Comm	Ti-G2	DIN 912
91T.060.0250.2AD	Natural	M 6	25	10.0	6.0	24.0	5	Comm	Ti-G2	DIN 912
91T.060.0300.2AD	Natural	M 6	30	10.0	6.0	24.0	5	Comm	Ti-G2	DIN 912
91T.060.0350.2AD	Natural	M 6	35	10.0	6.0	24.0	5	Comm	Ti-G2	DIN 912
91T.060.0400.2AD	Natural	M 6	40	10.0	6.0	24.0	5	Comm	Ti-G2	DIN 912
91T.060.0450.2AD	Natural	M 6	45	10.0	6.0	24.0	5	Comm	Ti-G2	DIN 912
91T.060.0500.2AD	Natural	M 6	50	10.0	6.0	24.0	5	Comm	Ti-G2	DIN 912
91T.060.0550.2AD	Natural	M 6	55	10.0	6.0	24.0	5	Comm	Ti-G2	DIN 912
91T.060.0600.2AD	Natural	M 6	60	10.0	6.0	24.0	5	Comm	Ti-G2	DIN 912
91T.060.0650.2AD	Natural	M 6	65	10.0	6.0	24.0	5	Comm	Ti-G2	DIN 912
91T.060.0700.2AD	Natural	M 6	70	10.0	6.0	24.0	5	Comm	Ti-G2	DIN 912
91T.060.0750.2AD	Natural	M 6	75	10.0	6.0	24.0	5	Comm	Ti-G2	DIN 912
91T.060.0800.2AD	Natural	M 6	80	10.0	6.0	24.0	5	Comm	Ti-G2	DIN 912
91T.060.0850.2AD	Natural	M 6	85	10.0	6.0	24.0	5	Comm	Ti-G2	DIN 912
91T.060.0900.2AD	Natural	M 6	90	10.0	6.0	24.0	5	Comm	Ti-G2	DIN 912
91T.060.0950.2AD	Natural	M 6	95	10.0	6.0	24.0	5	Comm	Ti-G2	DIN 912
91T.060.1000.2AD	Natural	M 6	100	10.0	6.0	24.0	5	Comm	Ti-G2	DIN 912
91T.060.1100.2AD	Natural	M 6	110	10.0	6.0	24.0	5	Comm	Ti-G2	DIN 912

TITANIUM



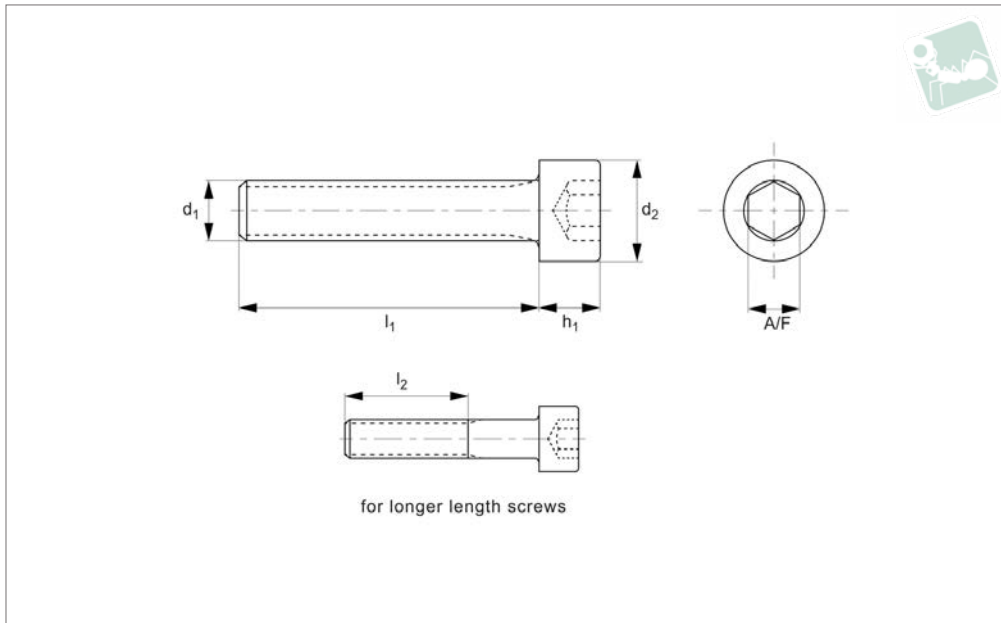
Order No.	Finish	d ₁	l ₁	d ₂	h ₁	l ₂	A/F	Grade	Material	To standard
91T.060.1200.2AD	Natural	M 6	120	10.0	6.0	24.0	5	Comm	Ti-G2	DIN 912
91T.060.1300.2AD	Natural	M 6	130	10.0	6.0	24.0	5	Comm	Ti-G2	DIN 912
91T.060.1400.2AD	Natural	M 6	140	10.0	6.0	24.0	5	Comm	Ti-G2	DIN 912
91T.060.1500.2AD	Natural	M 6	150	10.0	6.0	24.0	5	Comm	Ti-G2	DIN 912
91T.080.0100.2AD	Natural	M 8	10	13.0	8.0	-	6	Comm	Ti-G2	DIN 912
91T.080.0120.2AD	Natural	M 8	12	13.0	8.0	-	6	Comm	Ti-G2	DIN 912
91T.080.0150.2AD	Natural	M 8	15	13.0	8.0	-	6	Comm	Ti-G2	DIN 912
91T.080.0160.2AD	Natural	M 8	16	13.0	8.0	-	6	Comm	Ti-G2	DIN 912
91T.080.0200.2AD	Natural	M 8	20	13.0	8.0	-	6	Comm	Ti-G2	DIN 912
91T.080.0250.2AD	Natural	M 8	25	13.0	8.0	-	6	Comm	Ti-G2	DIN 912
91T.080.0300.2AD	Natural	M 8	30	13.0	8.0	28.0	6	Comm	Ti-G2	DIN 912
91T.080.0350.2AD	Natural	M 8	35	13.0	8.0	28.0	6	Comm	Ti-G2	DIN 912
91T.080.0400.2AD	Natural	M 8	40	13.0	8.0	28.0	6	Comm	Ti-G2	DIN 912
91T.080.0450.2AD	Natural	M 8	45	13.0	8.0	28.0	6	Comm	Ti-G2	DIN 912
91T.080.0500.2AD	Natural	M 8	50	13.0	8.0	28.0	6	Comm	Ti-G2	DIN 912
91T.080.0550.2AD	Natural	M 8	55	13.0	8.0	28.0	6	Comm	Ti-G2	DIN 912
91T.080.0600.2AD	Natural	M 8	60	13.0	8.0	28.0	6	Comm	Ti-G2	DIN 912
91T.080.0650.2AD	Natural	M 8	65	13.0	8.0	28.0	6	Comm	Ti-G2	DIN 912
91T.080.0700.2AD	Natural	M 8	70	13.0	8.0	28.0	6	Comm	Ti-G2	DIN 912
91T.080.0750.2AD	Natural	M 8	75	13.0	8.0	28.0	6	Comm	Ti-G2	DIN 912
91T.080.0800.2AD	Natural	M 8	80	13.0	8.0	28.0	6	Comm	Ti-G2	DIN 912



Socket Cap Screw - M8 - M20

DIN 912 Gr.2

Titanium



T0010.91T.2

TITANIUM

Material

Titanium Grade 2 (commercial grade, high corrosion resistance, strong weldability, standard strength).

Technical Notes

Items to DIN 912 where stated in data

table.

For the majority of screw lengths the threads goes all the way to the head of the screw (i.e. $l_1 = l_2$) less 2.5 thread pitches.

For longer length screws the threaded portion $l_2 < l_1$.

Order No.	Finish	d ₁	l ₁	d ₂	h ₁	l ₂	A/F	Grade	Material	To standard
91T.080.0850.2AD	Natural	M 8	85	13	8	28	6	Comm	Ti-G2	DIN 912
91T.080.0900.2AD	Natural	M 8	90	13	8	28	6	Comm	Ti-G2	DIN 912
91T.080.0950.2AD	Natural	M 8	95	13	8	28	6	Comm	Ti-G2	DIN 912
91T.080.1000.2AD	Natural	M 8	100	13	8	28	6	Comm	Ti-G2	DIN 912
91T.080.1100.2AD	Natural	M 8	110	13	8	28	6	Comm	Ti-G2	DIN 912
91T.080.1200.2AD	Natural	M 8	120	13	8	28	6	Comm	Ti-G2	DIN 912
91T.080.1300.2AD	Natural	M 8	130	13	8	28	6	Comm	Ti-G2	DIN 912
91T.080.1400.2AD	Natural	M 8	140	13	8	28	6	Comm	Ti-G2	DIN 912
91T.080.1500.2AD	Natural	M 8	150	13	8	28	6	Comm	Ti-G2	DIN 912
91T.100.0150.2AD	Natural	M10	15	16	10	-	8	Comm	Ti-G2	DIN 912
91T.100.0160.2AD	Natural	M10	16	16	10	-	8	Comm	Ti-G2	DIN 912
91T.100.0200.2AD	Natural	M10	20	16	10	-	8	Comm	Ti-G2	DIN 912
91T.100.0250.2AD	Natural	M10	25	16	10	-	8	Comm	Ti-G2	DIN 912
91T.100.0300.2AD	Natural	M10	30	16	10	-	8	Comm	Ti-G2	DIN 912
91T.100.0350.2AD	Natural	M10	35	16	10	32	8	Comm	Ti-G2	DIN 912
91T.100.0400.2AD	Natural	M10	40	16	10	32	8	Comm	Ti-G2	DIN 912
91T.100.0450.2AD	Natural	M10	45	16	10	32	8	Comm	Ti-G2	DIN 912
91T.100.0500.2AD	Natural	M10	50	16	10	32	8	Comm	Ti-G2	DIN 912
91T.100.0550.2AD	Natural	M10	55	16	10	32	8	Comm	Ti-G2	DIN 912
91T.100.0600.2AD	Natural	M10	60	16	10	32	8	Comm	Ti-G2	DIN 912
91T.100.0650.2AD	Natural	M10	65	16	10	32	8	Comm	Ti-G2	DIN 912
91T.100.0700.2AD	Natural	M10	70	16	10	32	8	Comm	Ti-G2	DIN 912
91T.100.0750.2AD	Natural	M10	75	16	10	32	8	Comm	Ti-G2	DIN 912
91T.100.0800.2AD	Natural	M10	80	16	10	32	8	Comm	Ti-G2	DIN 912
91T.100.0850.2AD	Natural	M10	85	16	10	32	8	Comm	Ti-G2	DIN 912
91T.100.0900.2AD	Natural	M10	90	16	10	32	8	Comm	Ti-G2	DIN 912
91T.100.0950.2AD	Natural	M10	95	16	10	32	8	Comm	Ti-G2	DIN 912
91T.100.1000.2AD	Natural	M10	100	16	10	32	8	Comm	Ti-G2	DIN 912
91T.100.1100.2AD	Natural	M10	110	16	10	32	8	Comm	Ti-G2	DIN 912
91T.100.1200.2AD	Natural	M10	120	16	10	32	8	Comm	Ti-G2	DIN 912
91T.100.1300.2AD	Natural	M10	130	16	10	32	8	Comm	Ti-G2	DIN 912
91T.100.1400.2AD	Natural	M10	140	16	10	32	8	Comm	Ti-G2	DIN 912



Order No.	Finish	d ₁	l ₁	d ₂	h ₁	l ₂	A/F	Grade	Material	To standard
91T.100.1500.2AD	Natural	M10	150	16	10	32	8	Comm	Ti-G2	DIN 912
91T.120.0200.2AD	Natural	M12	20	19	12	34	10	Comm	Ti-G2	DIN 912
91T.120.0250.2AD	Natural	M12	25	19	12	34	10	Comm	Ti-G2	DIN 912
91T.120.0300.2AD	Natural	M12	30	19	12	34	10	Comm	Ti-G2	DIN 912
91T.120.0350.2AD	Natural	M12	35	19	12	34	10	Comm	Ti-G2	DIN 912
91T.120.0400.2AD	Natural	M12	40	19	12	34	10	Comm	Ti-G2	DIN 912
91T.120.0450.2AD	Natural	M12	45	19	12	34	10	Comm	Ti-G2	DIN 912
91T.120.0500.2AD	Natural	M12	50	19	12	34	10	Comm	Ti-G2	DIN 912
91T.120.0550.2AD	Natural	M12	55	19	12	34	10	Comm	Ti-G2	DIN 912
91T.120.0600.2AD	Natural	M12	60	19	12	34	10	Comm	Ti-G2	DIN 912
91T.120.0650.2AD	Natural	M12	65	19	12	34	10	Comm	Ti-G2	DIN 912
91T.120.0700.2AD	Natural	M12	70	19	12	34	10	Comm	Ti-G2	DIN 912
91T.120.0750.2AD	Natural	M12	75	19	12	34	10	Comm	Ti-G2	DIN 912
91T.120.0800.2AD	Natural	M12	80	19	12	34	10	Comm	Ti-G2	DIN 912
91T.120.0850.2AD	Natural	M12	85	19	12	34	10	Comm	Ti-G2	DIN 912
91T.120.0900.2AD	Natural	M12	90	19	12	34	10	Comm	Ti-G2	DIN 912
91T.120.0950.2AD	Natural	M12	95	19	12	34	10	Comm	Ti-G2	DIN 912
91T.120.1000.2AD	Natural	M12	100	19	12	34	10	Comm	Ti-G2	DIN 912
91T.120.1100.2AD	Natural	M12	110	19	12	34	10	Comm	Ti-G2	DIN 912
91T.120.1200.2AD	Natural	M12	120	19	12	34	10	Comm	Ti-G2	DIN 912
91T.120.1300.2AD	Natural	M12	130	19	12	34	10	Comm	Ti-G2	DIN 912
91T.120.1400.2AD	Natural	M12	140	19	12	34	10	Comm	Ti-G2	DIN 912
91T.120.1500.2AD	Natural	M12	150	19	12	34	10	Comm	Ti-G2	DIN 912
91T.140.0200.2AD	Natural	M14	20	22	14	36	12	Comm	Ti-G2	DIN 912
91T.140.0250.2AD	Natural	M14	25	22	14	36	12	Comm	Ti-G2	DIN 912
91T.140.0300.2AD	Natural	M14	30	22	14	36	12	Comm	Ti-G2	DIN 912
91T.140.0350.2AD	Natural	M14	35	22	14	36	12	Comm	Ti-G2	DIN 912
91T.140.0400.2AD	Natural	M14	40	22	14	36	12	Comm	Ti-G2	DIN 912
91T.140.0450.2AD	Natural	M14	45	22	14	36	12	Comm	Ti-G2	DIN 912
91T.140.0500.2AD	Natural	M14	50	22	14	36	12	Comm	Ti-G2	DIN 912
91T.140.0550.2AD	Natural	M14	55	22	14	36	12	Comm	Ti-G2	DIN 912
91T.140.0600.2AD	Natural	M14	60	22	14	36	12	Comm	Ti-G2	DIN 912
91T.140.0650.2AD	Natural	M14	65	22	14	36	12	Comm	Ti-G2	DIN 912
91T.140.0700.2AD	Natural	M14	70	22	14	36	12	Comm	Ti-G2	DIN 912
91T.140.0750.2AD	Natural	M14	75	22	14	36	12	Comm	Ti-G2	DIN 912
91T.140.0800.2AD	Natural	M14	80	22	14	36	12	Comm	Ti-G2	DIN 912
91T.140.0850.2AD	Natural	M14	85	22	14	36	12	Comm	Ti-G2	DIN 912
91T.140.0900.2AD	Natural	M14	90	22	14	36	12	Comm	Ti-G2	DIN 912
91T.140.0950.2AD	Natural	M14	95	22	14	36	12	Comm	Ti-G2	DIN 912
91T.140.1000.2AD	Natural	M14	100	22	14	36	12	Comm	Ti-G2	DIN 912
91T.140.1100.2AD	Natural	M14	110	22	14	36	12	Comm	Ti-G2	DIN 912
91T.140.1200.2AD	Natural	M14	120	22	14	36	12	Comm	Ti-G2	DIN 912
91T.140.1300.2AD	Natural	M14	130	22	14	36	12	Comm	Ti-G2	DIN 912
91T.140.1400.2AD	Natural	M14	140	22	14	36	12	Comm	Ti-G2	DIN 912
91T.140.1500.2AD	Natural	M14	150	22	14	36	12	Comm	Ti-G2	DIN 912
91T.160.0200.2AD	Natural	M16	20	25	16	38	14	Comm	Ti-G2	DIN 912
91T.160.0250.2AD	Natural	M16	25	25	16	38	14	Comm	Ti-G2	DIN 912
91T.160.0300.2AD	Natural	M16	30	25	16	38	14	Comm	Ti-G2	DIN 912
91T.160.0350.2AD	Natural	M16	35	25	16	38	14	Comm	Ti-G2	DIN 912
91T.160.0400.2AD	Natural	M16	40	25	16	38	14	Comm	Ti-G2	DIN 912
91T.160.0450.2AD	Natural	M16	45	25	16	38	14	Comm	Ti-G2	DIN 912
91T.160.0500.2AD	Natural	M16	50	25	16	38	14	Comm	Ti-G2	DIN 912
91T.160.0550.2AD	Natural	M16	55	25	16	38	14	Comm	Ti-G2	DIN 912
91T.160.0600.2AD	Natural	M16	60	25	16	38	14	Comm	Ti-G2	DIN 912
91T.160.0650.2AD	Natural	M16	65	25	16	38	14	Comm	Ti-G2	DIN 912
91T.160.0700.2AD	Natural	M16	70	25	16	38	14	Comm	Ti-G2	DIN 912
91T.160.0750.2AD	Natural	M16	75	25	16	38	14	Comm	Ti-G2	DIN 912
91T.160.0800.2AD	Natural	M16	80	25	16	38	14	Comm	Ti-G2	DIN 912
91T.160.0850.2AD	Natural	M16	85	25	16	38	14	Comm	Ti-G2	DIN 912
91T.160.0900.2AD	Natural	M16	90	25	16	38	14	Comm	Ti-G2	DIN 912
91T.160.0950.2AD	Natural	M16	95	25	16	38	14	Comm	Ti-G2	DIN 912
91T.160.1000.2AD	Natural	M16	100	25	16	38	14	Comm	Ti-G2	DIN 912
91T.160.1100.2AD	Natural	M16	110	25	16	38	14	Comm	Ti-G2	DIN 912
91T.160.1200.2AD	Natural	M16	120	25	16	38	14	Comm	Ti-G2	DIN 912
91T.160.1300.2AD	Natural	M16	130	25	16	38	14	Comm	Ti-G2	DIN 912
91T.160.1400.2AD	Natural	M16	140	25	16	38	14	Comm	Ti-G2	DIN 912
91T.160.1500.2AD	Natural	M16	150	25	16	38	14	Comm	Ti-G2	DIN 912
91T.200.0200.2AD	Natural	M20	20	31	20	42	18	Comm	Ti-G2	DIN 912
91T.200.0250.2AD	Natural	M20	25	31	20	42	18	Comm	Ti-G2	DIN 912



Socket Cap Screw - M8 - M20

DIN 912 Gr.2

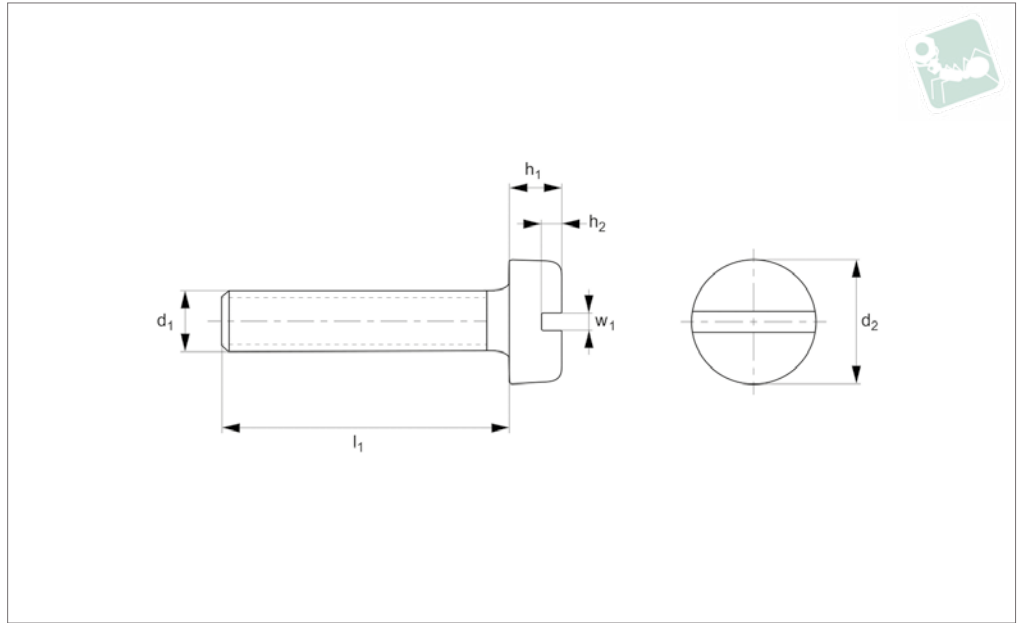
Titanium

Order No.	Finish	d ₁	l ₁	d ₂	h ₁	l ₂	A/F	Grade	Material	To standard
91T.200.0300.2AD	Natural	M20	30	31	20	42	18	Comm	Ti-G2	DIN 912
91T.200.0350.2AD	Natural	M20	35	31	20	42	18	Comm	Ti-G2	DIN 912
91T.200.0400.2AD	Natural	M20	40	31	20	42	18	Comm	Ti-G2	DIN 912
91T.200.0450.2AD	Natural	M20	45	31	20	42	18	Comm	Ti-G2	DIN 912
91T.200.0500.2AD	Natural	M20	50	31	20	42	18	Comm	Ti-G2	DIN 912
91T.200.0550.2AD	Natural	M20	55	31	20	42	18	Comm	Ti-G2	DIN 912
91T.200.0600.2AD	Natural	M20	60	31	20	42	18	Comm	Ti-G2	DIN 912
91T.200.0650.2AD	Natural	M20	65	31	20	42	18	Comm	Ti-G2	DIN 912
91T.200.0700.2AD	Natural	M20	70	31	20	42	18	Comm	Ti-G2	DIN 912
91T.200.0750.2AD	Natural	M20	75	31	20	42	18	Comm	Ti-G2	DIN 912
91T.200.0800.2AD	Natural	M20	80	31	20	42	18	Comm	Ti-G2	DIN 912
91T.200.0850.2AD	Natural	M20	85	31	20	42	18	Comm	Ti-G2	DIN 912
91T.200.0900.2AD	Natural	M20	90	31	20	42	18	Comm	Ti-G2	DIN 912
91T.200.0950.2AD	Natural	M20	95	31	20	42	18	Comm	Ti-G2	DIN 912
91T.200.1000.2AD	Natural	M20	100	31	20	42	18	Comm	Ti-G2	DIN 912
91T.200.1100.2AD	Natural	M20	110	31	20	42	18	Comm	Ti-G2	DIN 912
91T.200.1200.2AD	Natural	M20	120	31	20	42	18	Comm	Ti-G2	DIN 912
91T.200.1300.2AD	Natural	M20	130	31	20	42	18	Comm	Ti-G2	DIN 912
91T.200.1400.2AD	Natural	M20	140	31	20	42	18	Comm	Ti-G2	DIN 912
91T.200.1500.2AD	Natural	M20	150	31	20	42	18	Comm	Ti-G2	DIN 912

TITANIUM



T0001.T2



Material

Titanium Grade 2 (T40)

Technical Notes

To DIN 84.

Order No.	d ₁	l ₁	w ₁	h ₁	d ₂	h ₂	Material
T0001.030-010-T2	M 3	10.0	0.80	2.0	5.5	0.85	Titanium G2
T0001.030-015-T2	M 3	15.0	0.80	2.0	5.5	0.85	Titanium G2
T0001.030-020-T2	M 3	20.0	0.80	2.0	5.5	0.85	Titanium G2
T0001.030-025-T2	M 3	25.0	0.80	2.0	5.5	0.85	Titanium G2
T0001.030-030-T2	M 3	30.0	0.80	2.0	5.5	0.85	Titanium G2
T0001.030-035-T2	M 3	35.0	0.80	2.0	5.5	0.85	Titanium G2
T0001.030-040-T2	M 3	40.0	0.80	2.0	5.5	0.85	Titanium G2
T0001.030-045-T2	M 3	45.0	0.80	2.0	5.5	0.85	Titanium G2
T0001.030-050-T2	M 3	50.0	0.80	2.0	5.5	0.85	Titanium G2
T0001.030-055-T2	M 3	55.0	0.80	2.0	5.5	0.85	Titanium G2
T0001.030-060-T2	M 3	60.0	0.80	2.0	5.5	0.85	Titanium G2
T0001.040-010-T2	M 4	10.0	1.20	2.6	7.0	1.10	Titanium G2
T0001.040-015-T2	M 4	15.0	1.20	2.6	7.0	1.10	Titanium G2
T0001.040-020-T2	M 4	20.0	1.20	2.6	7.0	1.10	Titanium G2
T0001.040-025-T2	M 4	25.0	1.20	2.6	7.0	1.10	Titanium G2
T0001.040-030-T2	M 4	30.0	1.20	2.6	7.0	1.10	Titanium G2
T0001.040-035-T2	M 4	35.0	1.20	2.6	7.0	1.10	Titanium G2
T0001.040-040-T2	M 4	40.0	1.20	2.6	7.0	1.10	Titanium G2
T0001.040-045-T2	M 4	45.0	1.20	2.6	7.0	1.10	Titanium G2
T0001.040-050-T2	M 4	50.0	1.20	2.6	7.0	1.10	Titanium G2
T0001.040-055-T2	M 4	55.0	1.20	2.6	7.0	1.10	Titanium G2
T0001.040-060-T2	M 4	60.0	1.20	2.6	7.0	1.10	Titanium G2
T0001.050-010-T2	M 5	10.0	1.20	3.3	8.5	1.30	Titanium G2
T0001.050-015-T2	M 5	15.0	1.20	3.3	8.5	1.30	Titanium G2
T0001.050-020-T2	M 5	20.0	1.20	3.3	8.5	1.30	Titanium G2
T0001.050-025-T2	M 5	25.0	1.20	3.3	8.5	1.30	Titanium G2
T0001.050-030-T2	M 5	30.0	1.20	3.3	8.5	1.30	Titanium G2
T0001.050-035-T2	M 5	35.0	1.20	3.3	8.5	1.30	Titanium G2
T0001.050-040-T2	M 5	40.0	1.20	3.3	8.5	1.30	Titanium G2
T0001.050-045-T2	M 5	45.0	1.20	3.3	8.5	1.30	Titanium G2
T0001.050-050-T2	M 5	50.0	1.20	3.3	8.5	1.30	Titanium G2
T0001.050-055-T2	M 5	55.0	1.20	3.3	8.5	1.30	Titanium G2
T0001.050-060-T2	M 5	60.0	1.20	3.3	8.5	1.30	Titanium G2
T0001.060-010-T2	M 6	10.0	1.60	3.9	10.0	1.60	Titanium G2
T0001.060-015-T2	M 6	15.0	1.60	3.9	10.0	1.60	Titanium G2



Slotted Cheese Head Screws

DIN 84, Titanium G2

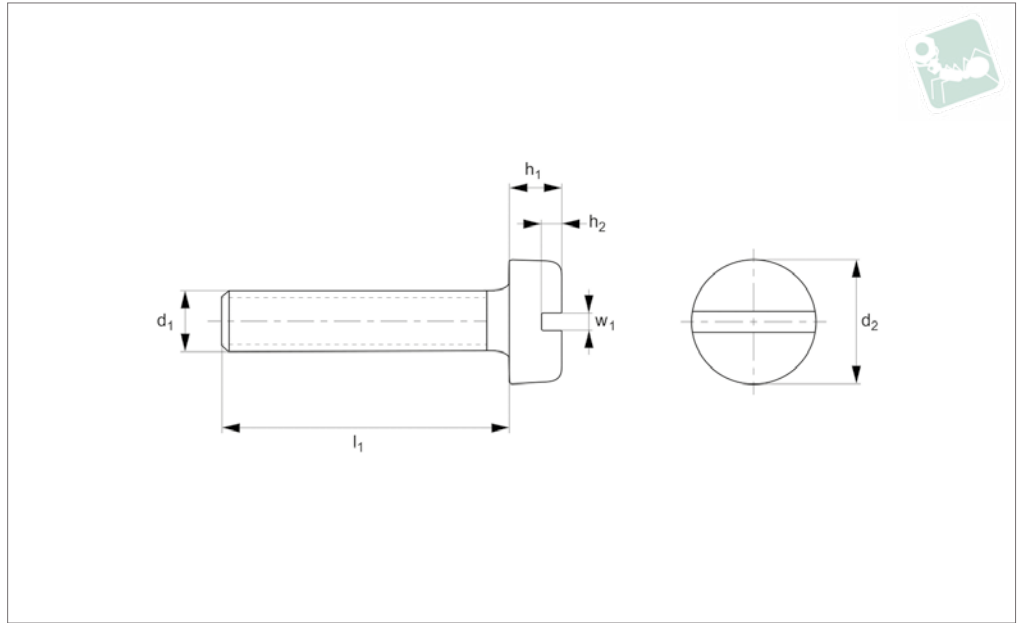
Titanium

Order No.	d ₁	l ₁	w ₁	h ₁	d ₂	h ₂	Material
T0001.060-020-T2	M 6	20.0	1.60	3.9	10.0	1.60	Titanium G2
T0001.060-025-T2	M 6	25.0	1.60	3.9	10.0	1.60	Titanium G2
T0001.060-030-T2	M 6	30.0	1.60	3.9	10.0	1.60	Titanium G2
T0001.060-035-T2	M 6	35.0	1.60	3.9	10.0	1.60	Titanium G2
T0001.060-040-T2	M 6	40.0	1.60	3.9	10.0	1.60	Titanium G2
T0001.060-045-T2	M 6	45.0	1.60	3.9	10.0	1.60	Titanium G2
T0001.060-050-T2	M 6	50.0	1.60	3.9	10.0	1.60	Titanium G2
T0001.060-055-T2	M 6	55.0	1.60	3.9	10.0	1.60	Titanium G2
T0001.060-060-T2	M 6	60.0	1.60	3.9	10.0	1.60	Titanium G2
T0001.060-065-T2	M 6	65.0	1.60	3.9	10.0	1.60	Titanium G3
T0001.060-070-T2	M 6	70.0	1.60	3.9	10.0	1.60	Titanium G4
T0001.060-080-T2	M 6	80.0	1.60	3.9	10.0	1.60	Titanium G5
T0001.060-090-T2	M 6	90.0	1.60	3.9	10.0	1.60	Titanium G6
T0001.060-100-T2	M 6	100.0	1.60	3.9	10.0	1.60	Titanium G7
T0001.080-020-T2	M 8	20.0	2.00	5.0	13.0	2.00	Titanium G2
T0001.080-025-T2	M 8	25.0	2.00	5.0	13.0	2.00	Titanium G2
T0001.080-030-T2	M 8	30.0	2.00	5.0	13.0	2.00	Titanium G2
T0001.080-035-T2	M 8	35.0	2.00	5.0	13.0	2.00	Titanium G2
T0001.080-040-T2	M 8	40.0	2.00	5.0	13.0	2.00	Titanium G2
T0001.080-045-T2	M 8	45.0	2.00	5.0	13.0	2.00	Titanium G2
T0001.080-050-T2	M 8	50.0	2.00	5.0	13.0	2.00	Titanium G2
T0001.080-055-T2	M 8	55.0	2.00	5.0	13.0	2.00	Titanium G2
T0001.080-060-T2	M 8	60.0	2.00	5.0	13.0	2.00	Titanium G2
T0001.080-065-T2	M 8	65.0	2.00	5.0	13.0	2.00	Titanium G2
T0001.080-070-T2	M 8	70.0	2.00	5.0	13.0	2.00	Titanium G2
T0001.080-080-T2	M 8	80.0	2.00	5.0	13.0	2.00	Titanium G2
T0001.080-090-T2	M 8	90.0	2.00	5.0	13.0	2.00	Titanium G2
T0001.080-100-T2	M 8	100.0	2.00	5.0	13.0	2.00	Titanium G2
T0001.100-020-T2	M10	20.0	2.50	6.0	16.0	2.40	Titanium G2
T0001.100-025-T2	M10	25.0	2.50	6.0	16.0	2.40	Titanium G2
T0001.100-030-T2	M10	30.0	2.50	6.0	16.0	2.40	Titanium G2
T0001.100-035-T2	M10	35.0	2.50	6.0	16.0	2.40	Titanium G2
T0001.100-040-T2	M10	40.0	2.50	6.0	16.0	2.40	Titanium G2
T0001.100-045-T2	M10	45.0	2.50	6.0	16.0	2.40	Titanium G2
T0001.100-050-T2	M10	50.0	2.50	6.0	16.0	2.40	Titanium G2
T0001.100-055-T2	M10	55.0	2.50	6.0	16.0	2.40	Titanium G2
T0001.100-060-T2	M10	60.0	2.50	6.0	16.0	2.40	Titanium G2
T0001.100-065-T2	M10	65.0	2.50	6.0	16.0	2.40	Titanium G2
T0001.100-070-T2	M10	70.0	2.50	6.0	16.0	2.40	Titanium G2
T0001.100-080-T2	M10	80.0	2.50	6.0	16.0	2.40	Titanium G2
T0001.100-090-T2	M10	90.0	2.50	6.0	16.0	2.40	Titanium G2
T0001.100-100-T2	M10	100.0	2.50	6.0	16.0	2.40	Titanium G2
T0001.120-025-T2	M12	25.0	-	7.0	19.0	2.80	Titanium G2
T0001.120-030-T2	M12	30.0	-	7.0	19.0	2.80	Titanium G2
T0001.120-035-T2	M12	35.0	-	7.0	19.0	2.80	Titanium G2
T0001.120-040-T2	M12	40.0	-	7.0	19.0	2.80	Titanium G2
T0001.120-045-T2	M12	45.0	-	7.0	19.0	2.80	Titanium G2
T0001.120-050-T2	M12	50.0	-	7.0	19.0	2.80	Titanium G2
T0001.120-055-T2	M12	55.0	-	7.0	19.0	2.80	Titanium G2
T0001.120-060-T2	M12	60.0	-	7.0	19.0	2.80	Titanium G2
T0001.120-065-T2	M12	65.0	-	7.0	19.0	2.80	Titanium G2
T0001.120-070-T2	M12	70.0	-	7.0	19.0	2.80	Titanium G2
T0001.120-080-T2	M12	80.0	-	7.0	19.0	2.80	Titanium G2
T0001.120-090-T2	M12	90.0	-	7.0	19.0	2.80	Titanium G2
T0001.120-100-T2	M12	100.0	-	7.0	19.0	2.80	Titanium G2

TITANIUM



T0001.T5



Material

Titanium 5 (TA64).

Technical Notes

To DIN 84.

Order No.	d ₁	l ₁	w ₁	h ₁	d ₂	h ₂	Material
T0001.030-010-T5	M 3	10.0	0.80	2.0	5.5	0.85	Titanium 5 (6AL-4V)
T0001.030-015-T5	M 3	15.0	0.80	2.0	5.5	0.85	Titanium 5 (6AL-4V)
T0001.030-020-T5	M 3	20.0	0.80	2.0	5.5	0.85	Titanium 5 (6AL-4V)
T0001.030-025-T5	M 3	25.0	0.80	2.0	5.5	0.85	Titanium 5 (6AL-4V)
T0001.030-030-T5	M 3	30.0	0.80	2.0	5.5	0.85	Titanium 5 (6AL-4V)
T0001.030-035-T5	M 3	35.0	0.80	2.0	5.5	0.85	Titanium 5 (6AL-4V)
T0001.030-040-T5	M 3	40.0	0.80	2.0	5.5	0.85	Titanium 5 (6AL-4V)
T0001.030-045-T5	M 3	45.0	0.80	2.0	5.5	0.85	Titanium 5 (6AL-4V)
T0001.030-050-T5	M 3	50.0	0.80	2.0	5.5	0.85	Titanium 5 (6AL-4V)
T0001.030-055-T5	M 3	55.0	0.80	2.0	5.5	0.85	Titanium 5 (6AL-4V)
T0001.030-060-T5	M 3	60.0	0.80	2.0	5.5	0.85	Titanium 5 (6AL-4V)
T0001.040-010-T5	M 4	10.0	1.20	2.6	7.0	1.10	Titanium 5 (6AL-4V)
T0001.040-015-T5	M 4	15.0	1.20	2.6	7.0	1.10	Titanium 5 (6AL-4V)
T0001.040-020-T5	M 4	20.0	1.20	2.6	7.0	1.10	Titanium 5 (6AL-4V)
T0001.040-025-T5	M 4	25.0	1.20	2.6	7.0	1.10	Titanium 5 (6AL-4V)
T0001.040-030-T5	M 4	30.0	1.20	2.6	7.0	1.10	Titanium 5 (6AL-4V)
T0001.040-035-T5	M 4	35.0	1.20	2.6	7.0	1.10	Titanium 5 (6AL-4V)
T0001.040-040-T5	M 4	40.0	1.20	2.6	7.0	1.10	Titanium 5 (6AL-4V)
T0001.040-045-T5	M 4	45.0	1.20	2.6	7.0	1.10	Titanium 5 (6AL-4V)
T0001.040-050-T5	M 4	50.0	1.20	2.6	7.0	1.10	Titanium 5 (6AL-4V)
T0001.040-055-T5	M 4	55.0	1.20	2.6	7.0	1.10	Titanium 5 (6AL-4V)
T0001.040-060-T5	M 4	60.0	1.20	2.6	7.0	1.10	Titanium 5 (6AL-4V)
T0001.050-010-T5	M 5	10.0	1.20	3.3	8.5	1.30	Titanium 5 (6AL-4V)
T0001.050-015-T5	M 5	15.0	1.20	3.3	8.5	1.30	Titanium 5 (6AL-4V)
T0001.050-020-T5	M 5	20.0	1.20	3.3	8.5	1.30	Titanium 5 (6AL-4V)
T0001.050-025-T5	M 5	25.0	1.20	3.3	8.5	1.30	Titanium 5 (6AL-4V)
T0001.050-030-T5	M 5	30.0	1.20	3.3	8.5	1.30	Titanium 5 (6AL-4V)
T0001.050-035-T5	M 5	35.0	1.20	3.3	8.5	1.30	Titanium 5 (6AL-4V)
T0001.050-040-T5	M 5	40.0	1.20	3.3	8.5	1.30	Titanium 5 (6AL-4V)
T0001.050-045-T5	M 5	45.0	1.20	3.3	8.5	1.30	Titanium 5 (6AL-4V)
T0001.050-050-T5	M 5	50.0	1.20	3.3	8.5	1.30	Titanium 5 (6AL-4V)
T0001.050-055-T5	M 5	55.0	1.20	3.3	8.5	1.30	Titanium 5 (6AL-4V)
T0001.050-060-T5	M 5	60.0	1.20	3.3	8.5	1.30	Titanium 5 (6AL-4V)
T0001.060-010-T5	M 6	10.0	1.60	3.9	10.0	1.60	Titanium 5 (6AL-4V)
T0001.060-015-T5	M 6	15.0	1.60	3.9	10.0	1.60	Titanium 5 (6AL-4V)



Slotted Cheese Head Screws

DIN 84, Titanium Grade 5

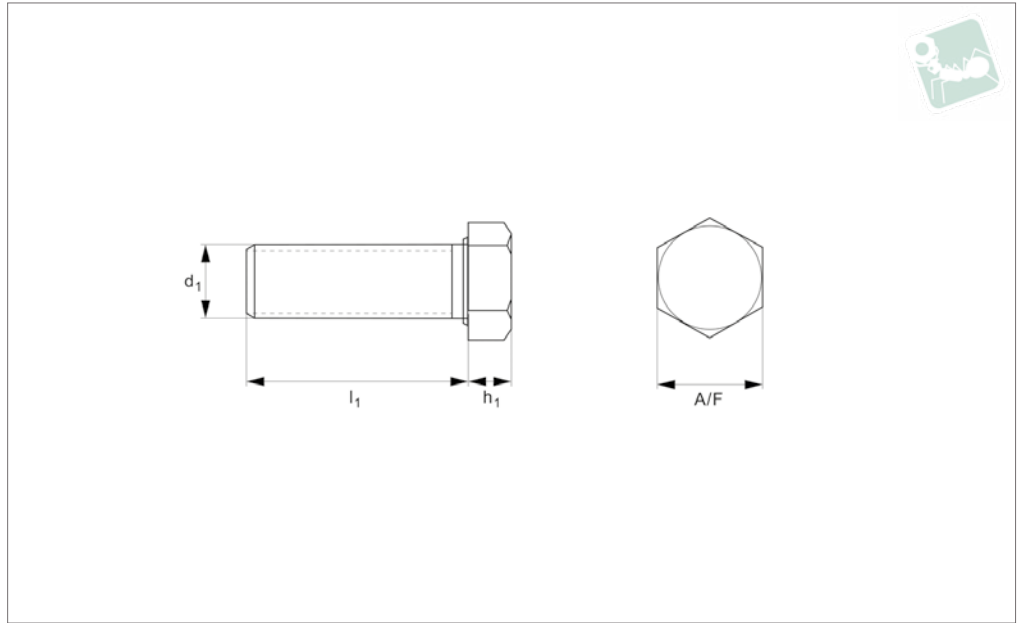
Titanium

Order No.	d ₁	l ₁	w ₁	h ₁	d ₂	h ₂	Material
T0001.060-020-T5	M 6	20.0	1.60	3.9	10.0	1.60	Titanium 5 (6AL-4V)
T0001.060-025-T5	M 6	25.0	1.60	3.9	10.0	1.60	Titanium 5 (6AL-4V)
T0001.060-030-T5	M 6	30.0	1.60	3.9	10.0	1.60	Titanium 5 (6AL-4V)
T0001.060-035-T5	M 6	35.0	1.60	3.9	10.0	1.60	Titanium 5 (6AL-4V)
T0001.060-040-T5	M 6	40.0	1.60	3.9	10.0	1.60	Titanium 5 (6AL-4V)
T0001.060-045-T5	M 6	45.0	1.60	3.9	10.0	1.60	Titanium 5 (6AL-4V)
T0001.060-050-T5	M 6	50.0	1.60	3.9	10.0	1.60	Titanium 5 (6AL-4V)
T0001.060-055-T5	M 6	55.0	1.60	3.9	10.0	1.60	Titanium 5 (6AL-4V)
T0001.060-060-T5	M 6	60.0	1.60	3.9	10.0	1.60	Titanium 5 (6AL-4V)
T0001.060-065-T5	M 6	65.0	1.60	3.9	10.0	1.60	Titanium 5 (6AL-4V)
T0001.060-070-T5	M 6	70.0	1.60	3.9	10.0	1.60	Titanium 5 (6AL-4V)
T0001.060-080-T5	M 6	80.0	1.60	3.9	10.0	1.60	Titanium 5 (6AL-4V)
T0001.060-090-T5	M 6	90.0	1.60	3.9	10.0	1.60	Titanium 5 (6AL-4V)
T0001.060-100-T5	M 6	100.0	1.60	3.9	10.0	1.60	Titanium 5 (6AL-4V)
T0001.080-020-T5	M 8	20.0	2.00	5.0	13.0	2.00	Titanium 5 (6AL-4V)
T0001.080-030-T5	M 8	30.0	2.00	5.0	13.0	2.00	Titanium 5 (6AL-4V)
T0001.080-035-T5	M 8	35.0	2.00	5.0	13.0	2.00	Titanium 5 (6AL-4V)
T0001.080-040-T5	M 8	40.0	2.00	5.0	13.0	2.00	Titanium 5 (6AL-4V)
T0001.080-045-T5	M 8	45.0	2.00	5.0	13.0	2.00	Titanium 5 (6AL-4V)
T0001.080-050-T5	M 8	50.0	2.00	5.0	13.0	2.00	Titanium 5 (6AL-4V)
T0001.080-055-T5	M 8	55.0	2.00	5.0	13.0	2.00	Titanium 5 (6AL-4V)
T0001.080-060-T5	M 8	60.0	2.00	5.0	13.0	2.00	Titanium 5 (6AL-4V)
T0001.080-065-T5	M 8	65.0	2.00	5.0	13.0	2.00	Titanium 5 (6AL-4V)
T0001.080-070-T5	M 8	70.0	2.00	5.0	13.0	2.00	Titanium 5 (6AL-4V)
T0001.080-080-T5	M 8	80.0	2.00	5.0	13.0	2.00	Titanium 5 (6AL-4V)
T0001.080-090-T5	M 8	90.0	2.00	5.0	13.0	2.00	Titanium 5 (6AL-4V)
T0001.080-100-T5	M 8	100.0	2.00	5.0	13.0	2.00	Titanium 5 (6AL-4V)
T0001.100-020-T5	M10	20.0	2.50	6.0	16.0	2.40	Titanium 5 (6AL-4V)
T0001.100-025-T5	M10	25.0	2.50	6.0	16.0	2.40	Titanium 5 (6AL-4V)
T0001.100-030-T5	M10	30.0	2.50	6.0	16.0	2.40	Titanium 5 (6AL-4V)
T0001.100-035-T5	M10	35.0	2.50	6.0	16.0	2.40	Titanium 5 (6AL-4V)
T0001.100-040-T5	M10	40.0	2.50	6.0	16.0	2.40	Titanium 5 (6AL-4V)
T0001.100-045-T5	M10	45.0	2.50	6.0	16.0	2.40	Titanium 5 (6AL-4V)
T0001.100-050-T5	M10	50.0	2.50	6.0	16.0	2.40	Titanium 5 (6AL-4V)
T0001.100-055-T5	M10	55.0	2.50	6.0	16.0	2.40	Titanium 5 (6AL-4V)
T0001.100-060-T5	M10	60.0	2.50	6.0	16.0	2.40	Titanium 5 (6AL-4V)
T0001.100-065-T5	M10	65.0	2.50	6.0	16.0	2.40	Titanium 5 (6AL-4V)
T0001.100-070-T5	M10	70.0	2.50	6.0	16.0	2.40	Titanium 5 (6AL-4V)
T0001.100-080-T5	M10	80.0	2.50	6.0	16.0	2.40	Titanium 5 (6AL-4V)
T0001.100-090-T5	M10	90.0	2.50	6.0	16.0	2.40	Titanium 5 (6AL-4V)
T0001.100-100-T5	M10	100.0	2.50	6.0	16.0	2.40	Titanium 5 (6AL-4V)
T0001.120-020-T5	M12	20.0	-	7.0	19.0	2.80	Titanium 5 (6AL-4V)
T0001.120-025-T5	M12	25.0	-	7.0	19.0	2.80	Titanium 5 (6AL-4V)
T0001.120-030-T5	M12	30.0	-	7.0	19.0	2.80	Titanium 5 (6AL-4V)
T0001.120-035-T5	M12	35.0	-	7.0	19.0	2.80	Titanium 5 (6AL-4V)
T0001.120-040-T5	M12	40.0	-	7.0	19.0	2.80	Titanium 5 (6AL-4V)
T0001.120-045-T5	M12	45.0	-	7.0	19.0	2.80	Titanium 5 (6AL-4V)
T0001.120-050-T5	M12	50.0	-	7.0	19.0	2.80	Titanium 5 (6AL-4V)
T0001.120-055-T5	M12	55.0	-	7.0	19.0	2.80	Titanium 5 (6AL-4V)
T0001.120-060-T5	M12	60.0	-	7.0	19.0	2.80	Titanium 5 (6AL-4V)
T0001.120-065-T5	M12	65.0	-	7.0	19.0	2.80	Titanium 5 (6AL-4V)
T0001.120-070-T5	M12	70.0	-	7.0	19.0	2.80	Titanium 5 (6AL-4V)
T0001.120-080-T5	M12	80.0	-	7.0	19.0	2.80	Titanium 5 (6AL-4V)
T0001.120-090-T5	M12	90.0	-	7.0	19.0	2.80	Titanium 5 (6AL-4V)
T0001.120-100-T5	M12	100.0	-	7.0	19.0	2.80	Titanium 5 (6AL-4V)

TITANIUM



T0013.93T.1



TITANIUM

Material

Titanium Grade 2 (commercial grade, high corrosion resistance, strong weldability,

standard strength).

table.

Technical Notes

Items to DIN 933 where stated in data

Order No.	d ₁	l ₁	h ₁	A/F	Material	Grade	Finish	To standard
93T.020.0006.2AD	M 2	6	1.4	4.0	Ti-G2	Comm	Natural	DIN 933
93T.020.0008.2AD	M 2	8	1.4	4.0	Ti-G2	Comm	Natural	DIN 933
93T.020.0010.2AD	M 2	10	1.4	4.0	Ti-G2	Comm	Natural	DIN 933
93T.020.0012.2AD	M 2	12	1.4	4.0	Ti-G2	Comm	Natural	DIN 933
93T.020.0015.2AD	M 2	15	1.4	4.0	Ti-G2	Comm	Natural	DIN 933
93T.020.0016.2AD	M 2	16	1.4	4.0	Ti-G2	Comm	Natural	DIN 933
93T.020.0020.2AD	M 2	20	1.4	4.0	Ti-G2	Comm	Natural	DIN 933
93T.020.0025.2AD	M 2	25	1.4	4.0	Ti-G2	Comm	Natural	DIN 933
93T.020.0030.2AD	M 2	30	1.4	4.0	Ti-G2	Comm	Natural	DIN 933
93T.025.0006.2AD	M2,5	6	1.7	5.0	Ti-G2	Comm	Natural	DIN 933
93T.025.0008.2AD	M2,5	8	1.7	5.0	Ti-G2	Comm	Natural	DIN 933
93T.025.0010.2AD	M2,5	10	1.7	5.0	Ti-G2	Comm	Natural	DIN 933
93T.025.0012.2AD	M2,5	12	1.7	5.0	Ti-G2	Comm	Natural	DIN 933
93T.025.0015.2AD	M2,5	15	1.7	5.0	Ti-G2	Comm	Natural	DIN 933
93T.025.0016.2AD	M2,5	16	1.7	5.0	Ti-G2	Comm	Natural	DIN 933
93T.025.0020.2AD	M2,5	20	1.7	5.0	Ti-G2	Comm	Natural	DIN 933
93T.025.0025.2AD	M2,5	25	1.7	5.0	Ti-G2	Comm	Natural	DIN 933
93T.025.0030.2AD	M2,5	30	1.7	5.0	Ti-G2	Comm	Natural	DIN 933
93T.025.0035.2AD	M2,5	35	1.7	5.0	Ti-G2	Comm	Natural	DIN 933
93T.025.0040.2AD	M2,5	40	1.7	5.0	Ti-G2	Comm	Natural	DIN 933
93T.030.0006.2AD	M 3	6	2.0	5.5	Ti-G2	Comm	Natural	DIN 933
93T.030.0008.2AD	M 3	8	2.0	5.5	Ti-G2	Comm	Natural	DIN 933
93T.030.0010.2AD	M 3	10	2.0	5.5	Ti-G2	Comm	Natural	DIN 933
93T.030.0012.2AD	M 3	12	2.0	5.5	Ti-G2	Comm	Natural	DIN 933
93T.030.0015.2AD	M 3	15	2.0	5.5	Ti-G2	Comm	Natural	DIN 933
93T.030.0016.2AD	M 3	16	2.0	5.5	Ti-G2	Comm	Natural	DIN 933
93T.030.0020.2AD	M 3	20	2.0	5.5	Ti-G2	Comm	Natural	DIN 933
93T.030.0025.2AD	M 3	25	2.0	5.5	Ti-G2	Comm	Natural	DIN 933
93T.030.0030.2AD	M 3	30	2.0	5.5	Ti-G2	Comm	Natural	DIN 933
93T.030.0035.2AD	M 3	35	2.0	5.5	Ti-G2	Comm	Natural	DIN 933
93T.030.0040.2AD	M 3	40	2.0	5.5	Ti-G2	Comm	Natural	DIN 933
93T.030.0045.2AD	M 3	45	2.0	5.5	Ti-G2	Comm	Natural	DIN 933
93T.030.0050.2AD	M 3	50	2.0	5.5	Ti-G2	Comm	Natural	DIN 933
93T.030.0055.2AD	M 3	55	2.0	5.5	Ti-G2	Comm	Natural	DIN 933
93T.030.0060.2AD	M 3	60	2.0	5.5	Ti-G2	Comm	Natural	DIN 933



Hex Head Set Screws

DIN 933 Gr.2

Titanium

Order No.	d ₁	l ₁	h ₁	A/F	Material	Grade	Finish	To standard
93T.030.0065.2AD	M 3	65	2.0	5.5	Ti-G2	Comm	Natural	DIN 933
93T.030.0070.2AD	M 3	70	2.0	5.5	Ti-G2	Comm	Natural	DIN 933
93T.040.0010.2AD	M 4	10	2.8	7.0	Ti-G2	Comm	Natural	DIN 933
93T.040.0012.2AD	M 4	12	2.8	7.0	Ti-G2	Comm	Natural	DIN 933
93T.040.0015.2AD	M 4	15	2.8	7.0	Ti-G2	Comm	Natural	DIN 933
93T.040.0016.2AD	M 4	16	2.8	7.0	Ti-G2	Comm	Natural	DIN 933
93T.040.0020.2AD	M 4	20	2.8	7.0	Ti-G2	Comm	Natural	DIN 933
93T.040.0025.2AD	M 4	25	2.8	7.0	Ti-G2	Comm	Natural	DIN 933
93T.040.0030.2AD	M 4	30	2.8	7.0	Ti-G2	Comm	Natural	DIN 933
93T.040.0035.2AD	M 4	35	2.8	7.0	Ti-G2	Comm	Natural	DIN 933
93T.040.0040.2AD	M 4	40	2.8	7.0	Ti-G2	Comm	Natural	DIN 933
93T.040.0045.2AD	M 4	45	2.8	7.0	Ti-G2	Comm	Natural	DIN 933
93T.040.0050.2AD	M 4	50	2.8	7.0	Ti-G2	Comm	Natural	DIN 933
93T.040.0055.2AD	M 4	55	2.8	7.0	Ti-G2	Comm	Natural	DIN 933
93T.040.0060.2AD	M 4	60	2.8	7.0	Ti-G2	Comm	Natural	DIN 933
93T.050.0010.2AD	M 5	10	3.5	8.0	Ti-G2	Comm	Natural	DIN 933
93T.050.0012.2AD	M 5	12	3.5	8.0	Ti-G2	Comm	Natural	DIN 933
93T.050.0015.2AD	M 5	15	3.5	8.0	Ti-G2	Comm	Natural	DIN 933
93T.050.0016.2AD	M 5	16	3.5	8.0	Ti-G2	Comm	Natural	DIN 933
93T.050.0020.2AD	M 5	20	3.5	8.0	Ti-G2	Comm	Natural	DIN 933
93T.050.0025.2AD	M 5	25	3.5	8.0	Ti-G2	Comm	Natural	DIN 933
93T.050.0030.2AD	M 5	30	3.5	8.0	Ti-G2	Comm	Natural	DIN 933
93T.050.0035.2AD	M 5	35	3.5	8.0	Ti-G2	Comm	Natural	DIN 933
93T.050.0040.2AD	M 5	40	3.5	8.0	Ti-G2	Comm	Natural	DIN 933
93T.050.0045.2AD	M 5	45	3.5	8.0	Ti-G2	Comm	Natural	DIN 933
93T.050.0050.2AD	M 5	50	3.5	8.0	Ti-G2	Comm	Natural	DIN 933
93T.050.0055.2AD	M 5	55	3.5	8.0	Ti-G2	Comm	Natural	DIN 933
93T.050.0060.2AD	M 5	60	3.5	8.0	Ti-G2	Comm	Natural	DIN 933
93T.060.0010.2AD	M 6	10	4.0	10.0	Ti-G2	Comm	Natural	DIN 933
93T.060.0012.2AD	M 6	12	4.0	10.0	Ti-G2	Comm	Natural	DIN 933
93T.060.0015.2AD	M 6	15	4.0	10.0	Ti-G2	Comm	Natural	DIN 933
93T.060.0016.2AD	M 6	16	4.0	10.0	Ti-G2	Comm	Natural	DIN 933
93T.060.0020.2AD	M 6	20	4.0	10.0	Ti-G2	Comm	Natural	DIN 933
93T.060.0025.2AD	M 6	25	4.0	10.0	Ti-G2	Comm	Natural	DIN 933
93T.060.0030.2AD	M 6	30	4.0	10.0	Ti-G2	Comm	Natural	DIN 933
93T.060.0035.2AD	M 6	35	4.0	10.0	Ti-G2	Comm	Natural	DIN 933
93T.060.0040.2AD	M 6	40	4.0	10.0	Ti-G2	Comm	Natural	DIN 933
93T.060.0045.2AD	M 6	45	4.0	10.0	Ti-G2	Comm	Natural	DIN 933
93T.060.0050.2AD	M 6	50	4.0	10.0	Ti-G2	Comm	Natural	DIN 933
93T.060.0060.2AD	M 6	60	4.0	10.0	Ti-G2	Comm	Natural	DIN 933
93T.060.0065.2AD	M 6	65	4.0	10.0	Ti-G2	Comm	Natural	DIN 933
93T.060.0070.2AD	M 6	70	4.0	10.0	Ti-G2	Comm	Natural	DIN 933
93T.060.0080.2AD	M 6	80	4.0	10.0	Ti-G2	Comm	Natural	DIN 933
93T.060.0090.2AD	M 6	90	4.0	10.0	Ti-G2	Comm	Natural	DIN 933
93T.060.0100.2AD	M 6	100	4.0	10.0	Ti-G2	Comm	Natural	DIN 933
93T.080.0010.2AD	M 8	10	5.3	13.0	Ti-G2	Comm	Natural	DIN 933
93T.080.0012.2AD	M 8	12	5.3	13.0	Ti-G2	Comm	Natural	DIN 933
93T.080.0015.2AD	M 8	15	5.3	13.0	Ti-G2	Comm	Natural	DIN 933
93T.080.0016.2AD	M 8	16	5.3	13.0	Ti-G2	Comm	Natural	DIN 933
93T.080.0020.2AD	M 8	20	5.3	13.0	Ti-G2	Comm	Natural	DIN 933
93T.080.0025.2AD	M 8	25	5.3	13.0	Ti-G2	Comm	Natural	DIN 933
93T.080.0030.2AD	M 8	30	5.3	13.0	Ti-G2	Comm	Natural	DIN 933
93T.080.0035.2AD	M 8	35	5.3	13.0	Ti-G2	Comm	Natural	DIN 933
93T.080.0040.2AD	M 8	40	5.3	13.0	Ti-G2	Comm	Natural	DIN 933
93T.080.0045.2AD	M 8	45	5.3	13.0	Ti-G2	Comm	Natural	DIN 933
93T.080.0050.2AD	M 8	50	5.3	13.0	Ti-G2	Comm	Natural	DIN 933
93T.080.0055.2AD	M 8	55	5.3	13.0	Ti-G2	Comm	Natural	DIN 933
93T.080.0060.2AD	M 8	60	5.3	13.0	Ti-G2	Comm	Natural	DIN 933
93T.080.0065.2AD	M 8	65	5.3	13.0	Ti-G2	Comm	Natural	DIN 933
93T.080.0070.2AD	M 8	70	5.3	13.0	Ti-G2	Comm	Natural	DIN 933
93T.080.0075.2AD	M 8	75	5.3	13.0	Ti-G2	Comm	Natural	DIN 933
93T.080.0080.2AD	M 8	80	5.3	13.0	Ti-G2	Comm	Natural	DIN 933
93T.080.0090.2AD	M 8	90	5.3	13.0	Ti-G2	Comm	Natural	DIN 933
93T.080.0100.2AD	M 8	100	5.3	13.0	Ti-G2	Comm	Natural	DIN 933
93T.080.0110.2AD	M 8	110	5.3	13.0	Ti-G2	Comm	Natural	DIN 933
93T.080.0120.2AD	M 8	120	5.3	13.0	Ti-G2	Comm	Natural	DIN 933
93T.080.0130.2AD	M 8	130	5.3	13.0	Ti-G2	Comm	Natural	DIN 933
93T.080.0140.2AD	M 8	140	5.3	13.0	Ti-G2	Comm	Natural	DIN 933
93T.080.0150.2AD	M 8	150	5.3	13.0	Ti-G2	Comm	Natural	DIN 933

TITANIUM



Order No.	d ₁	l ₁	h ₁	A/F	Material	Grade	Finish	To standard
93T.100.0016.2AD	M10	16	6.4	17.0	Ti-G2	Comm	Natural	DIN 933
93T.100.0020.2AD	M10	20	6.4	17.0	Ti-G2	Comm	Natural	DIN 933
93T.100.0025.2AD	M10	25	6.4	17.0	Ti-G2	Comm	Natural	DIN 933
93T.100.0030.2AD	M10	30	6.4	17.0	Ti-G2	Comm	Natural	DIN 933
93T.100.0035.2AD	M10	35	6.4	17.0	Ti-G2	Comm	Natural	DIN 933
93T.100.0040.2AD	M10	40	6.4	17.0	Ti-G2	Comm	Natural	DIN 933
93T.100.0045.2AD	M10	45	6.4	17.0	Ti-G2	Comm	Natural	DIN 933
93T.100.0050.2AD	M10	50	6.4	17.0	Ti-G2	Comm	Natural	DIN 933
93T.100.0055.2AD	M10	55	6.4	17.0	Ti-G2	Comm	Natural	DIN 933
93T.100.0060.2AD	M10	60	6.4	17.0	Ti-G2	Comm	Natural	DIN 933
93T.100.0065.2AD	M10	65	6.4	17.0	Ti-G2	Comm	Natural	DIN 933
93T.100.0070.2AD	M10	70	6.4	17.0	Ti-G2	Comm	Natural	DIN 933
93T.100.0080.2AD	M10	80	6.4	17.0	Ti-G2	Comm	Natural	DIN 933
93T.100.0090.2AD	M10	90	6.4	17.0	Ti-G2	Comm	Natural	DIN 933
93T.100.0100.2AD	M10	100	6.4	17.0	Ti-G2	Comm	Natural	DIN 933
93T.100.0110.2AD	M10	110	6.4	17.0	Ti-G2	Comm	Natural	DIN 933
93T.100.0120.2AD	M10	120	6.4	17.0	Ti-G2	Comm	Natural	DIN 933
93T.100.0130.2AD	M10	130	6.4	17.0	Ti-G2	Comm	Natural	DIN 933
93T.100.0140.2AD	M10	140	6.4	17.0	Ti-G2	Comm	Natural	DIN 933
93T.100.0150.2AD	M10	150	6.4	17.0	Ti-G2	Comm	Natural	DIN 933
93T.120.0020.2AD	M12	20	7.5	19.0	Ti-G2	Comm	Natural	DIN 933
93T.120.0025.2AD	M12	25	7.5	19.0	Ti-G2	Comm	Natural	DIN 933
93T.120.0030.2AD	M12	30	7.5	19.0	Ti-G2	Comm	Natural	DIN 933
93T.120.0035.2AD	M12	35	7.5	19.0	Ti-G2	Comm	Natural	DIN 933
93T.120.0040.2AD	M12	40	7.5	19.0	Ti-G2	Comm	Natural	DIN 933
93T.120.0045.2AD	M12	45	7.5	19.0	Ti-G2	Comm	Natural	DIN 933
93T.120.0050.2AD	M12	50	7.5	19.0	Ti-G2	Comm	Natural	DIN 933
93T.120.0055.2AD	M12	55	7.5	19.0	Ti-G2	Comm	Natural	DIN 933
93T.120.0060.2AD	M12	60	7.5	19.0	Ti-G2	Comm	Natural	DIN 933
93T.120.0065.2AD	M12	65	7.5	19.0	Ti-G2	Comm	Natural	DIN 933
93T.120.0070.2AD	M12	70	7.5	19.0	Ti-G2	Comm	Natural	DIN 933
93T.120.0080.2AD	M12	80	7.5	19.0	Ti-G2	Comm	Natural	DIN 933
93T.120.0090.2AD	M12	90	7.5	19.0	Ti-G2	Comm	Natural	DIN 933
93T.120.0100.2AD	M12	100	7.5	19.0	Ti-G2	Comm	Natural	DIN 933
93T.120.0110.2AD	M12	110	7.5	19.0	Ti-G2	Comm	Natural	DIN 933
93T.120.0120.2AD	M12	120	7.5	19.0	Ti-G2	Comm	Natural	DIN 933
93T.120.0130.2AD	M12	130	7.5	19.0	Ti-G2	Comm	Natural	DIN 933
93T.120.0140.2AD	M12	140	7.5	19.0	Ti-G2	Comm	Natural	DIN 933
93T.120.0150.2AD	M12	150	7.5	19.0	Ti-G2	Comm	Natural	DIN 933
93T.140.0020.2AD	M14	20	8.8	22.0	Ti-G2	Comm	Natural	DIN 933
93T.140.0025.2AD	M14	25	8.8	22.0	Ti-G2	Comm	Natural	DIN 933
93T.140.0030.2AD	M14	30	8.8	22.0	Ti-G2	Comm	Natural	DIN 933
93T.140.0035.2AD	M14	35	8.8	22.0	Ti-G2	Comm	Natural	DIN 933
93T.140.0040.2AD	M14	40	8.8	22.0	Ti-G2	Comm	Natural	DIN 933
93T.140.0045.2AD	M14	45	8.8	22.0	Ti-G2	Comm	Natural	DIN 933
93T.140.0050.2AD	M14	50	8.8	22.0	Ti-G2	Comm	Natural	DIN 933
93T.140.0055.2AD	M14	55	8.8	22.0	Ti-G2	Comm	Natural	DIN 933
93T.140.0060.2AD	M14	60	8.8	22.0	Ti-G2	Comm	Natural	DIN 933
93T.140.0065.2AD	M14	65	8.8	22.0	Ti-G2	Comm	Natural	DIN 933
93T.140.0070.2AD	M14	70	8.8	22.0	Ti-G2	Comm	Natural	DIN 933
93T.140.0080.2AD	M14	80	8.8	22.0	Ti-G2	Comm	Natural	DIN 933
93T.140.0090.2AD	M14	90	8.8	22.0	Ti-G2	Comm	Natural	DIN 933
93T.140.0100.2AD	M14	100	8.8	22.0	Ti-G2	Comm	Natural	DIN 933
93T.140.0110.2AD	M14	110	8.8	22.0	Ti-G2	Comm	Natural	DIN 933
93T.140.0130.2AD	M14	130	8.8	22.0	Ti-G2	Comm	Natural	DIN 933
93T.140.0140.2AD	M14	120	8.8	22.0	Ti-G2	Comm	Natural	DIN 933
93T.140.0150.2AD	M14	150	8.8	22.0	Ti-G2	Comm	Natural	DIN 933
93T.160.0020.2AD	M16	20	10.0	24.0	Ti-G2	Comm	Natural	DIN 933
93T.160.0025.2AD	M16	25	10.0	24.0	Ti-G2	Comm	Natural	DIN 933
93T.160.0030.2AD	M16	30	10.0	24.0	Ti-G2	Comm	Natural	DIN 933
93T.160.0035.2AD	M16	35	10.0	24.0	Ti-G2	Comm	Natural	DIN 933
93T.160.0040.2AD	M16	40	10.0	24.0	Ti-G2	Comm	Natural	DIN 933
93T.160.0045.2AD	M16	45	10.0	24.0	Ti-G2	Comm	Natural	DIN 933
93T.160.0050.2AD	M16	50	10.0	24.0	Ti-G2	Comm	Natural	DIN 933
93T.160.0055.2AD	M16	55	10.0	24.0	Ti-G2	Comm	Natural	DIN 933
93T.160.0060.2AD	M16	60	10.0	24.0	Ti-G2	Comm	Natural	DIN 933
93T.160.0065.2AD	M16	65	10.0	24.0	Ti-G2	Comm	Natural	DIN 933
93T.160.0070.2AD	M16	70	10.0	24.0	Ti-G2	Comm	Natural	DIN 933
93T.160.0080.2AD	M16	80	10.0	24.0	Ti-G2	Comm	Natural	DIN 933



Hex Head Set Screws

DIN 933 Gr.2

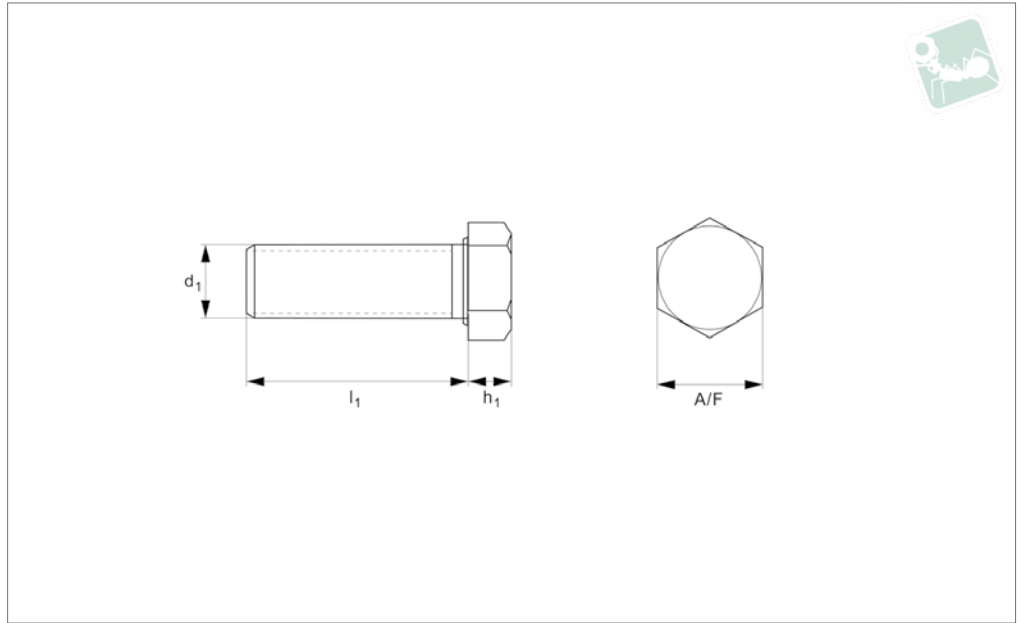
Titanium

Order No.	d ₁	l ₁	h ₁	A/F	Material	Grade	Finish	To standard
93T.160.0090.2AD	M16	90	10.0	24.0	Ti-G2	Comm	Natural	DIN 933
93T.160.0100.2AD	M16	100	10.0	24.0	Ti-G2	Comm	Natural	DIN 933
93T.160.0110.2AD	M16	110	10.0	24.0	Ti-G2	Comm	Natural	DIN 933
93T.160.0120.2AD	M16	120	10.0	24.0	Ti-G2	Comm	Natural	DIN 933
93T.160.0130.2AD	M16	130	10.0	24.0	Ti-G2	Comm	Natural	DIN 933
93T.160.0140.2AD	M16	140	10.0	24.0	Ti-G2	Comm	Natural	DIN 933
93T.160.0150.2AD	M16	150	10.0	24.0	Ti-G2	Comm	Natural	DIN 933
93T.200.0020.2AD	M20	20	12.5	30.0	Ti-G2	Comm	Natural	DIN 933
93T.200.0025.2AD	M20	25	12.5	30.0	Ti-G2	Comm	Natural	DIN 933
93T.200.0030.2AD	M20	30	12.5	30.0	Ti-G2	Comm	Natural	DIN 933
93T.200.0035.2AD	M20	35	12.5	30.0	Ti-G2	Comm	Natural	DIN 933
93T.200.0040.2AD	M20	40	12.5	30.0	Ti-G2	Comm	Natural	DIN 933
93T.200.0045.2AD	M20	45	12.5	30.0	Ti-G2	Comm	Natural	DIN 933
93T.200.0050.2AD	M20	50	12.5	30.0	Ti-G2	Comm	Natural	DIN 933
93T.200.0055.2AD	M20	55	12.5	30.0	Ti-G2	Comm	Natural	DIN 933
93T.200.0060.2AD	M20	60	12.5	30.0	Ti-G2	Comm	Natural	DIN 933
93T.200.0065.2AD	M20	65	12.5	30.0	Ti-G2	Comm	Natural	DIN 933
93T.200.0070.2AD	M20	70	12.5	30.0	Ti-G2	Comm	Natural	DIN 933
93T.200.0080.2AD	M20	80	12.5	30.0	Ti-G2	Comm	Natural	DIN 933
93T.200.0090.2AD	M20	90	12.5	30.0	Ti-G2	Comm	Natural	DIN 933
93T.200.0100.2AD	M20	100	12.5	30.0	Ti-G2	Comm	Natural	DIN 933
93T.200.0110.2AD	M20	110	12.5	30.0	Ti-G2	Comm	Natural	DIN 933
93T.200.0120.2AD	M20	120	12.5	30.0	Ti-G2	Comm	Natural	DIN 933
93T.200.0130.2AD	M20	130	12.5	30.0	Ti-G2	Comm	Natural	DIN 933
93T.200.0140.2AD	M20	140	12.5	30.0	Ti-G2	Comm	Natural	DIN 933
93T.200.0150.2AD	M20	150	12.5	30.0	Ti-G2	Comm	Natural	DIN 933

TITANIUM



T0013.93T.2



TITANIUM

Material

Titanium Grade 5 (aerospace grade Ti 6Al-4V Titanium alloy, good strength to weight

ratio, corrosion resistant).

table.

Technical Notes

Items to DIN 933 where stated in data

Order No.	d ₁	l ₁	h ₁	A/F	Material	Grade	Finish	To standard
93T.020.0006.5AD	M 2	6	1.4	4.0	Ti-G5	Aero	Natural	DIN 933
93T.020.0008.5AD	M 2	8	1.4	4.0	Ti-G5	Aero	Natural	DIN 933
93T.020.0010.5AD	M 2	10	1.4	4.0	Ti-G5	Aero	Natural	DIN 933
93T.020.0012.5AD	M 2	12	1.4	4.0	Ti-G5	Aero	Natural	DIN 933
93T.020.0015.5AD	M 2	15	1.4	4.0	Ti-G5	Aero	Natural	DIN 933
93T.020.0016.5AD	M 2	16	1.4	4.0	Ti-G5	Aero	Natural	DIN 933
93T.020.0020.5AD	M 2	20	1.4	4.0	Ti-G5	Aero	Natural	DIN 933
93T.020.0025.5AD	M 2	25	1.4	4.0	Ti-G5	Aero	Natural	DIN 933
93T.020.0030.5AD	M 2	30	1.4	4.0	Ti-G5	Aero	Natural	DIN 933
93T.025.0006.5AD	M2,5	6	1.7	5.0	Ti-G5	Aero	Natural	DIN 933
93T.025.0008.5AD	M2,5	8	1.7	5.0	Ti-G5	Aero	Natural	DIN 933
93T.025.0010.5AD	M2,5	10	1.7	5.0	Ti-G5	Aero	Natural	DIN 933
93T.025.0012.5AD	M2,5	12	1.7	5.0	Ti-G5	Aero	Natural	DIN 933
93T.025.0015.5AD	M2,5	15	1.7	5.0	Ti-G5	Aero	Natural	DIN 933
93T.025.0016.5AD	M2,5	16	1.7	5.0	Ti-G5	Aero	Natural	DIN 933
93T.025.0020.5AD	M2,5	20	1.7	5.0	Ti-G5	Aero	Natural	DIN 933
93T.025.0025.5AD	M2,5	25	1.7	5.0	Ti-G5	Aero	Natural	DIN 933
93T.025.0030.5AD	M2,5	30	1.7	5.0	Ti-G5	Aero	Natural	DIN 933
93T.025.0035.5AD	M2,5	35	1.7	5.0	Ti-G5	Aero	Natural	DIN 933
93T.025.0040.5AD	M2,5	40	1.7	5.0	Ti-G5	Aero	Natural	DIN 933
93T.030.0006.5AD	M 3	6	2.0	5.5	Ti-G5	Aero	Natural	DIN 933
93T.030.0008.5AD	M 3	8	2.0	5.5	Ti-G5	Aero	Natural	DIN 933
93T.030.0010.5AD	M 3	10	2.0	5.5	Ti-G5	Aero	Natural	DIN 933
93T.030.0012.5AD	M 3	12	2.0	5.5	Ti-G5	Aero	Natural	DIN 933
93T.030.0015.5AD	M 3	15	2.0	5.5	Ti-G5	Aero	Natural	DIN 933
93T.030.0016.5AD	M 3	16	2.0	5.5	Ti-G5	Aero	Natural	DIN 933
93T.030.0020.5AD	M 3	20	2.0	5.5	Ti-G5	Aero	Natural	DIN 933
93T.030.0025.5AD	M 3	25	2.0	5.5	Ti-G5	Aero	Natural	DIN 933
93T.030.0030.5AD	M 3	30	2.0	5.5	Ti-G5	Aero	Natural	DIN 933
93T.030.0035.5AD	M 3	35	2.0	5.5	Ti-G5	Aero	Natural	DIN 933
93T.030.0040.5AD	M 3	40	2.0	5.5	Ti-G5	Aero	Natural	DIN 933
93T.030.0045.5AD	M 3	45	2.0	5.5	Ti-G5	Aero	Natural	DIN 933
93T.030.0050.5AD	M 3	50	2.0	5.5	Ti-G5	Aero	Natural	DIN 933
93T.030.0055.5AD	M 3	55	2.0	5.5	Ti-G5	Aero	Natural	DIN 933
93T.030.0060.5AD	M 3	60	2.0	5.5	Ti-G5	Aero	Natural	DIN 933



Hex Head Set Screws

DIN 933 Gr.5

Titanium

Order No.	d ₁	l ₁	h ₁	A/F	Material	Grade	Finish	To standard
93T.040.0010.5AD	M 4	10	2.8	7.0	Ti-G5	Aero	Natural	DIN 933
93T.040.0012.5AD	M 4	12	2.8	7.0	Ti-G5	Aero	Natural	DIN 933
93T.040.0015.5AD	M 4	15	2.8	7.0	Ti-G5	Aero	Natural	DIN 933
93T.040.0016.5AD	M 4	16	2.8	7.0	Ti-G5	Aero	Natural	DIN 933
93T.040.0020.5AD	M 4	20	2.8	7.0	Ti-G5	Aero	Natural	DIN 933
93T.040.0025.5AD	M 4	25	2.8	7.0	Ti-G5	Aero	Natural	DIN 933
93T.040.0030.5AD	M 4	30	2.8	7.0	Ti-G5	Aero	Natural	DIN 933
93T.040.0035.5AD	M 4	35	2.8	7.0	Ti-G5	Aero	Natural	DIN 933
93T.040.0040.5AD	M 4	40	2.8	7.0	Ti-G5	Aero	Natural	DIN 933
93T.040.0045.5AD	M 4	45	2.8	7.0	Ti-G5	Aero	Natural	DIN 933
93T.040.0050.5AD	M 4	50	2.8	7.0	Ti-G5	Aero	Natural	DIN 933
93T.040.0055.5AD	M 4	55	2.8	7.0	Ti-G5	Aero	Natural	DIN 933
93T.040.0060.5AD	M 4	60	2.8	7.0	Ti-G5	Aero	Natural	DIN 933
93T.050.0010.5AD	M 5	10	3.5	8.0	Ti-G5	Aero	Natural	DIN 933
93T.050.0012.5AD	M 5	12	3.5	8.0	Ti-G5	Aero	Natural	DIN 933
93T.050.0015.5AD	M 5	15	3.5	8.0	Ti-G5	Aero	Natural	DIN 933
93T.050.0016.5AD	M 5	16	3.5	8.0	Ti-G5	Aero	Natural	DIN 933
93T.050.0020.5AD	M 5	20	3.5	8.0	Ti-G5	Aero	Natural	DIN 933
93T.050.0025.5AD	M 5	25	3.5	8.0	Ti-G5	Aero	Natural	DIN 933
93T.050.0030.5AD	M 5	30	3.5	8.0	Ti-G5	Aero	Natural	DIN 933
93T.050.0035.5AD	M 5	35	3.5	8.0	Ti-G5	Aero	Natural	DIN 933
93T.050.0040.5AD	M 5	40	3.5	8.0	Ti-G5	Aero	Natural	DIN 933
93T.050.0045.5AD	M 5	45	3.5	8.0	Ti-G5	Aero	Natural	DIN 933
93T.050.0050.5AD	M 5	50	3.5	8.0	Ti-G5	Aero	Natural	DIN 933
93T.050.0055.5AD	M 5	55	3.5	8.0	Ti-G5	Aero	Natural	DIN 933
93T.050.0060.5AD	M 5	60	3.5	8.0	Ti-G5	Aero	Natural	DIN 933
93T.060.0010.5AD	M 6	10	4.0	10.0	Ti-G5	Aero	Natural	DIN 933
93T.060.0012.5AD	M 6	12	4.0	10.0	Ti-G5	Aero	Natural	DIN 933
93T.060.0015.5AD	M 6	15	4.0	10.0	Ti-G5	Aero	Natural	DIN 933
93T.060.0016.5AD	M 6	16	4.0	10.0	Ti-G5	Aero	Natural	DIN 933
93T.060.0020.5AD	M 6	20	4.0	10.0	Ti-G5	Aero	Natural	DIN 933
93T.060.0025.5AD	M 6	25	4.0	10.0	Ti-G5	Aero	Natural	DIN 933
93T.060.0030.5AD	M 6	30	4.0	10.0	Ti-G5	Aero	Natural	DIN 933
93T.060.0035.5AD	M 6	35	4.0	10.0	Ti-G5	Aero	Natural	DIN 933
93T.060.0040.5AD	M 6	40	4.0	10.0	Ti-G5	Aero	Natural	DIN 933
93T.060.0045.5AD	M 6	45	4.0	10.0	Ti-G5	Aero	Natural	DIN 933
93T.060.0050.5AD	M 6	50	4.0	10.0	Ti-G5	Aero	Natural	DIN 933
93T.060.0055.5AD	M 6	55	4.0	10.0	Ti-G5	Aero	Natural	DIN 933
93T.060.0060.5AD	M 6	60	4.0	10.0	Ti-G5	Aero	Natural	DIN 933
93T.060.0065.5AD	M 6	65	4.0	10.0	Ti-G5	Aero	Natural	DIN 933
93T.060.0070.5AD	M 6	70	4.0	10.0	Ti-G5	Aero	Natural	DIN 933
93T.060.0080.5AD	M 6	80	4.0	10.0	Ti-G5	Aero	Natural	DIN 933
93T.060.0090.5AD	M 6	90	4.0	10.0	Ti-G5	Aero	Natural	DIN 933
93T.060.0100.5AD	M 6	100	4.0	10.0	Ti-G5	Aero	Natural	DIN 933
93T.080.0010.5AD	M 8	10	5.3	13.0	Ti-G5	Aero	Natural	DIN 933
93T.080.0012.5AD	M 8	12	5.3	13.0	Ti-G5	Aero	Natural	DIN 933
93T.080.0015.5AD	M 8	15	5.3	13.0	Ti-G5	Aero	Natural	DIN 933
93T.080.0016.5AD	M 8	16	5.3	13.0	Ti-G5	Aero	Natural	DIN 933
93T.080.0020.5AD	M 8	20	5.3	13.0	Ti-G5	Aero	Natural	DIN 933
93T.080.0025.5AD	M 8	25	5.3	13.0	Ti-G5	Aero	Natural	DIN 933
93T.080.0030.5AD	M 8	30	5.3	13.0	Ti-G5	Aero	Natural	DIN 933
93T.080.0035.5AD	M 8	35	5.3	13.0	Ti-G5	Aero	Natural	DIN 933
93T.080.0040.5AD	M 8	40	5.3	13.0	Ti-G5	Aero	Natural	DIN 933
93T.080.0045.5AD	M 8	45	5.3	13.0	Ti-G5	Aero	Natural	DIN 933
93T.080.0050.5AD	M 8	50	5.3	13.0	Ti-G5	Aero	Natural	DIN 933
93T.080.0055.5AD	M 8	55	5.3	13.0	Ti-G5	Aero	Natural	DIN 933
93T.080.0060.5AD	M 8	60	5.3	13.0	Ti-G5	Aero	Natural	DIN 933
93T.080.0065.5AD	M 8	65	5.3	13.0	Ti-G5	Aero	Natural	DIN 933
93T.080.0070.5AD	M 8	70	5.3	13.0	Ti-G5	Aero	Natural	DIN 933
93T.080.0080.5AD	M 8	80	5.3	13.0	Ti-G5	Aero	Natural	DIN 933
93T.080.0090.5AD	M 8	90	5.3	13.0	Ti-G5	Aero	Natural	DIN 933
93T.080.0100.5AD	M 8	100	5.3	13.0	Ti-G5	Aero	Natural	DIN 933
93T.080.0110.5AD	M 8	110	5.3	13.0	Ti-G5	Aero	Natural	DIN 933
93T.080.0120.5AD	M 8	120	5.3	13.0	Ti-G5	Aero	Natural	DIN 933
93T.080.0130.5AD	M 8	130	5.3	13.0	Ti-G5	Aero	Natural	DIN 933
93T.080.0140.5AD	M 8	140	5.3	13.0	Ti-G5	Aero	Natural	DIN 933
93T.080.0150.5AD	M 8	150	5.3	13.0	Ti-G5	Aero	Natural	DIN 933
93T.100.0016.5AD	M10	16	6.4	17.0	Ti-G5	Aero	Natural	DIN 933
93T.100.0020.5AD	M10	20	6.4	17.0	Ti-G5	Aero	Natural	DIN 933

TITANIUM



Order No.	d ₁	l ₁	h ₁	A/F	Material	Grade	Finish	To standard
93T.100.0025.5AD	M10	25	6.4	17.0	Ti-G5	Aero	Natural	DIN 933
93T.100.0030.5AD	M10	30	6.4	17.0	Ti-G5	Aero	Natural	DIN 933
93T.100.0035.5AD	M10	35	6.4	17.0	Ti-G5	Aero	Natural	DIN 933
93T.100.0040.5AD	M10	40	6.4	17.0	Ti-G5	Aero	Natural	DIN 933
93T.100.0045.5AD	M10	45	6.4	17.0	Ti-G5	Aero	Natural	DIN 933
93T.100.0050.5AD	M10	50	6.4	17.0	Ti-G5	Aero	Natural	DIN 933
93T.100.0055.5AD	M10	55	6.4	17.0	Ti-G5	Aero	Natural	DIN 933
93T.100.0060.5AD	M10	60	6.4	17.0	Ti-G5	Aero	Natural	DIN 933
93T.100.0065.5AD	M10	65	6.4	17.0	Ti-G5	Aero	Natural	DIN 933
93T.100.0070.5AD	M10	70	6.4	17.0	Ti-G5	Aero	Natural	DIN 933
93T.100.0080.5AD	M10	80	6.4	17.0	Ti-G5	Aero	Natural	DIN 933
93T.100.0090.5AD	M10	90	6.4	17.0	Ti-G5	Aero	Natural	DIN 933
93T.100.0100.5AD	M10	100	6.4	17.0	Ti-G5	Aero	Natural	DIN 933
93T.100.0110.5AD	M10	110	6.4	17.0	Ti-G5	Aero	Natural	DIN 933
93T.100.0120.5AD	M10	120	6.4	17.0	Ti-G5	Aero	Natural	DIN 933
93T.100.0130.5AD	M10	130	6.4	17.0	Ti-G5	Aero	Natural	DIN 933
93T.100.0140.5AD	M10	140	6.4	17.0	Ti-G5	Aero	Natural	DIN 933
93T.100.0150.5AD	M10	150	6.4	17.0	Ti-G5	Aero	Natural	DIN 933
93T.120.0020.5AD	M12	20	7.5	19.0	Ti-G5	Aero	Natural	DIN 933
93T.120.0025.5AD	M12	25	7.5	19.0	Ti-G5	Aero	Natural	DIN 933
93T.120.0030.5AD	M12	30	7.5	19.0	Ti-G5	Aero	Natural	DIN 933
93T.120.0035.5AD	M12	35	7.5	19.0	Ti-G5	Aero	Natural	DIN 933
93T.120.0040.5AD	M12	40	7.5	19.0	Ti-G5	Aero	Natural	DIN 933
93T.120.0045.5AD	M12	45	7.5	19.0	Ti-G5	Aero	Natural	DIN 933
93T.120.0050.5AD	M12	50	7.5	19.0	Ti-G5	Aero	Natural	DIN 933
93T.120.0055.5AD	M12	55	7.5	19.0	Ti-G5	Aero	Natural	DIN 933
93T.120.0060.5AD	M12	60	7.5	19.0	Ti-G5	Aero	Natural	DIN 933
93T.120.0065.5AD	M12	65	7.5	19.0	Ti-G5	Aero	Natural	DIN 933
93T.120.0070.5AD	M12	70	7.5	19.0	Ti-G5	Aero	Natural	DIN 933
93T.120.0080.5AD	M12	80	7.5	19.0	Ti-G5	Aero	Natural	DIN 933
93T.120.0090.5AD	M12	90	7.5	19.0	Ti-G5	Aero	Natural	DIN 933
93T.120.0100.5AD	M12	100	7.5	19.0	Ti-G5	Aero	Natural	DIN 933
93T.120.0110.5AD	M12	110	7.5	19.0	Ti-G5	Aero	Natural	DIN 933
93T.120.0120.5AD	M12	120	7.5	19.0	Ti-G5	Aero	Natural	DIN 933
93T.120.0130.5AD	M12	130	7.5	19.0	Ti-G5	Aero	Natural	DIN 933
93T.120.0140.5AD	M12	140	7.5	19.0	Ti-G5	Aero	Natural	DIN 933
93T.120.0150.5AD	M12	150	7.5	19.0	Ti-G5	Aero	Natural	DIN 933
93T.140.0020.5AD	M14	20	8.8	22.0	Ti-G5	Aero	Natural	DIN 933
93T.140.0025.5AD	M14	25	8.8	22.0	Ti-G5	Aero	Natural	DIN 933
93T.140.0030.5AD	M14	30	8.8	22.0	Ti-G5	Aero	Natural	DIN 933
93T.140.0035.5AD	M14	35	8.8	22.0	Ti-G5	Aero	Natural	DIN 933
93T.140.0040.5AD	M14	40	8.8	22.0	Ti-G5	Aero	Natural	DIN 933
93T.140.0045.5AD	M14	45	8.8	22.0	Ti-G5	Aero	Natural	DIN 933
93T.140.0050.5AD	M14	50	8.8	22.0	Ti-G5	Aero	Natural	DIN 933
93T.140.0055.5AD	M14	55	8.8	22.0	Ti-G5	Aero	Natural	DIN 933
93T.140.0060.5AD	M14	60	8.8	22.0	Ti-G5	Aero	Natural	DIN 933
93T.140.0065.5AD	M14	65	8.8	22.0	Ti-G5	Aero	Natural	DIN 933
93T.140.0070.5AD	M14	70	8.8	22.0	Ti-G5	Aero	Natural	DIN 933
93T.140.0080.5AD	M14	80	8.8	22.0	Ti-G5	Aero	Natural	DIN 933
93T.140.0090.5AD	M14	90	8.8	22.0	Ti-G5	Aero	Natural	DIN 933
93T.140.0100.5AD	M14	100	8.8	22.0	Ti-G5	Aero	Natural	DIN 933
93T.140.0110.5AD	M14	110	8.8	22.0	Ti-G5	Aero	Natural	DIN 933
93T.140.0130.5AD	M14	130	8.8	22.0	Ti-G5	Aero	Natural	DIN 933
93T.140.0140.5AD	M14	120	8.8	22.0	Ti-G5	Aero	Natural	DIN 933
93T.140.0150.5AD	M14	150	8.8	22.0	Ti-G5	Aero	Natural	DIN 933
93T.160.0020.5AD	M16	20	10.0	24.0	Ti-G5	Aero	Natural	DIN 933
93T.160.0025.5AD	M16	25	10.0	24.0	Ti-G5	Aero	Natural	DIN 933
93T.160.0030.5AD	M16	30	10.0	24.0	Ti-G5	Aero	Natural	DIN 933
93T.160.0035.5AD	M16	35	10.0	24.0	Ti-G5	Aero	Natural	DIN 933
93T.160.0040.5AD	M16	40	10.0	24.0	Ti-G5	Aero	Natural	DIN 933
93T.160.0045.5AD	M16	45	10.0	24.0	Ti-G5	Aero	Natural	DIN 933
93T.160.0050.5AD	M16	50	10.0	24.0	Ti-G5	Aero	Natural	DIN 933
93T.160.0055.5AD	M16	55	10.0	24.0	Ti-G5	Aero	Natural	DIN 933
93T.160.0060.5AD	M16	60	10.0	24.0	Ti-G5	Aero	Natural	DIN 933
93T.160.0065.5AD	M16	65	10.0	24.0	Ti-G5	Aero	Natural	DIN 933
93T.160.0070.5AD	M16	70	10.0	24.0	Ti-G5	Aero	Natural	DIN 933
93T.160.0080.5AD	M16	80	10.0	24.0	Ti-G5	Aero	Natural	DIN 933
93T.160.0090.5AD	M16	90	10.0	24.0	Ti-G5	Aero	Natural	DIN 933
93T.160.0100.5AD	M16	100	10.0	24.0	Ti-G5	Aero	Natural	DIN 933



Hex Head Set Screws

DIN 933 Gr.5

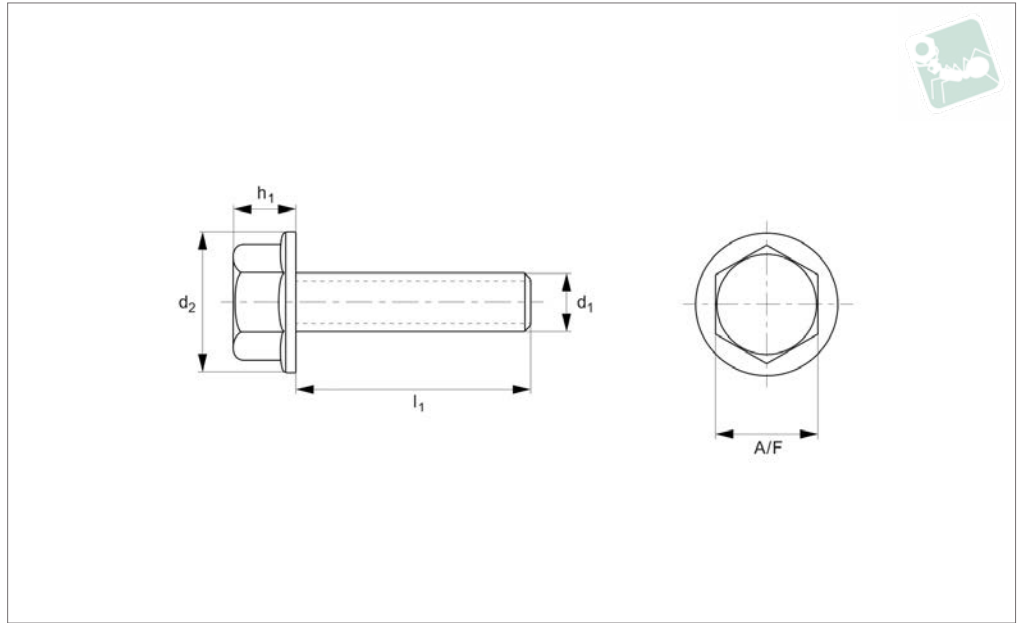
Titanium

Order No.	d ₁	l ₁	h ₁	A/F	Material	Grade	Finish	To standard
93T.160.0110.5AD	M16	110	10.0	24.0	Ti-G5	Aero	Natural	DIN 933
93T.160.0120.5AD	M16	120	10.0	24.0	Ti-G5	Aero	Natural	DIN 933
93T.160.0130.5AD	M16	130	10.0	24.0	Ti-G5	Aero	Natural	DIN 933
93T.160.0140.5AD	M16	140	10.0	24.0	Ti-G5	Aero	Natural	DIN 933
93T.160.0150.5AD	M16	150	10.0	24.0	Ti-G5	Aero	Natural	DIN 933
93T.200.0020.5AD	M20	20	12.5	30.0	Ti-G5	Aero	Natural	DIN 933
93T.200.0025.5AD	M20	25	12.5	30.0	Ti-G5	Aero	Natural	DIN 933
93T.200.0030.5AD	M20	30	12.5	30.0	Ti-G5	Aero	Natural	DIN 933
93T.200.0035.5AD	M20	35	12.5	30.0	Ti-G5	Aero	Natural	DIN 933
93T.200.0040.5AD	M20	40	12.5	30.0	Ti-G5	Aero	Natural	DIN 933
93T.200.0045.5AD	M20	45	12.5	30.0	Ti-G5	Aero	Natural	DIN 933
93T.200.0050.5AD	M20	50	12.5	30.0	Ti-G5	Aero	Natural	DIN 933
93T.200.0055.5AD	M20	55	12.5	30.0	Ti-G5	Aero	Natural	DIN 933
93T.200.0060.5AD	M20	60	12.5	30.0	Ti-G5	Aero	Natural	DIN 933
93T.200.0065.5AD	M20	65	12.5	30.0	Ti-G5	Aero	Natural	DIN 933
93T.200.0070.5AD	M20	70	12.5	30.0	Ti-G5	Aero	Natural	DIN 933
93T.200.0080.5AD	M20	80	12.5	30.0	Ti-G5	Aero	Natural	DIN 933
93T.200.0090.5AD	M20	90	12.5	30.0	Ti-G5	Aero	Natural	DIN 933
93T.200.0100.5AD	M20	100	12.5	30.0	Ti-G5	Aero	Natural	DIN 933
93T.200.0110.5AD	M20	110	12.5	30.0	Ti-G5	Aero	Natural	DIN 933
93T.200.0120.5AD	M20	120	12.5	30.0	Ti-G5	Aero	Natural	DIN 933
93T.200.0130.5AD	M20	130	12.5	30.0	Ti-G5	Aero	Natural	DIN 933
93T.200.0140.5AD	M20	140	12.5	30.0	Ti-G5	Aero	Natural	DIN 933
93T.200.0150.5AD	M20	150	12.5	30.0	Ti-G5	Aero	Natural	DIN 933

TITANIUM



T0022.T5



Material

Titanium 5 (6AL-4V).

Order No.	Thread	l_1	h_1	d_2	h_2	A/F
T0022.050-010	M 5	10.0	5.0	10	1.5	8.0
T0022.050-015	M 5	15.0	5.0	10	1.5	8.0
T0022.050-020	M 5	20.0	5.0	10	1.5	8.0
T0022.050-025	M 5	25.0	5.0	10	1.5	8.0
T0022.050-030	M 5	30.0	5.0	10	1.5	8.0
T0022.050-035	M 5	35.0	5.0	10	1.5	8.0
T0022.050-040	M 5	40.0	5.0	10	1.5	8.0
T0022.050-045	M 5	45.0	5.0	10	1.5	8.0
T0022.050-050	M 5	50.0	5.0	10	1.5	8.0
T0022.050-055	M 5	55.0	5.0	10	1.5	8.0
T0022.050-060	M 5	60.0	5.0	10	1.5	8.0
T0022.060-010	M 6	10.0	5.5	11	1.5	8.0
T0022.060-015	M 6	15.0	5.5	11	1.5	8.0
T0022.060-020	M 6	20.0	5.5	11	1.5	8.0
T0022.060-025	M 6	25.0	5.5	11	1.5	8.0
T0022.060-030	M 6	30.0	5.5	11	1.5	8.0
T0022.060-035	M 6	35.0	5.5	11	1.5	8.0
T0022.060-040	M 6	40.0	5.5	11	1.5	8.0
T0022.060-045	M 6	45.0	5.5	11	1.5	8.0
T0022.060-050	M 6	50.0	5.5	11	1.5	8.0
T0022.060-055	M 6	55.0	5.5	11	1.5	8.0
T0022.060-060	M 6	60.0	5.5	11	1.5	8.0
T0022.060-065	M 6	65.0	5.5	11	1.5	8.0
T0022.060-070	M 6	70.0	5.5	11	1.5	8.0
T0022.060-080	M 6	80.0	5.5	11	1.5	8.0
T0022.060-090	M 6	90.0	5.5	11	1.5	8.0
T0022.060-100	M 6	100.0	5.5	11	1.5	8.0
T0022.060-110	M 6	110.0	5.5	11	1.5	8.0
T0022.080-015	M 8	15.0	7.5	17	2.0	12.0
T0022.080-020	M 8	20.0	7.5	17	2.0	12.0
T0022.080-025	M 8	25.0	7.5	17	2.0	12.0
T0022.080-030	M 8	30.0	7.5	17	2.0	12.0
T0022.080-035	M 8	35.0	7.5	17	2.0	12.0
T0022.080-040	M 8	40.0	7.5	17	2.0	12.0
T0022.080-045	M 8	45.0	7.5	17	2.0	12.0

Hexagon Flange Bolts

DIN 6921, titanium 5

Titanium



Order No.	Thread	l ₁	h ₁	d ₂	h ₂	A/F
T0022.080-050	M 8	50.0	7.5	17	2.0	12.0
T0022.080-055	M 8	55.0	7.5	17	2.0	12.0
T0022.080-060	M 8	60.0	7.5	17	2.0	12.0
T0022.080-065	M 8	65.0	7.5	17	2.0	12.0
T0022.080-070	M 8	70.0	7.5	17	2.0	12.0
T0022.080-080	M 8	80.0	7.5	17	2.0	12.0
T0022.080-090	M 8	90.0	7.5	17	2.0	12.0
T0022.100-020	M10x1,25	20.0	8.5	20	2.0	14.0
T0022.100-021	M10	20.0	8.5	20	2.0	14.0
T0022.100-025	M10x1,25	25.0	8.5	20	2.0	14.0
T0022.100-026	M10	25.0	8.5	20	2.0	14.0
T0022.100-030	M10x1,25	30.0	8.5	20	2.0	14.0
T0022.100-031	M10	30.0	8.5	20	2.0	14.0
T0022.100-035	M10x1,25	35.0	8.5	20	2.0	14.0
T0022.100-036	M10	35.0	8.5	20	2.0	14.0
T0022.100-040	M10x1,25	40.0	8.5	20	2.0	14.0
T0022.100-041	M10	40.0	8.5	20	2.0	14.0
T0022.100-045	M10x1,25	45.0	8.5	20	2.0	14.0
T0022.100-046	M10	45.0	8.5	20	2.0	14.0
T0022.100-050	M10x1,25	50.0	8.5	20	2.0	14.0
T0022.100-051	M10	50.0	8.5	20	2.0	14.0
T0022.100-055	M10x1,25	55.0	8.5	20	2.0	14.0
T0022.100-056	M10	55.0	8.5	20	2.0	14.0
T0022.100-060	M10	60.0	8.5	20	2.0	14.0
T0022.100-070	M10	70.0	8.5	20	2.0	14.0
T0022.100-071	M10	70.0	8.5	20	2.0	14.0
T0022.100-080	M10	80.0	8.5	20	2.0	14.0
T0022.100-081	M10	80.0	8.5	20	2.0	14.0
T0022.100-090	M10	90.0	8.5	20	2.0	14.0
T0022.100-091	M10	90.0	8.5	20	2.0	14.0
T0022.100-100	M10	100.0	8.5	20	2.0	14.0
T0022.100-101	M10	100.0	8.5	20	2.0	14.0
T0022.120-020	M12	20.0	11.5	-	-	-
T0022.120-025	M12	25.0	11.5	-	-	-
T0022.120-030	M12	30.0	11.5	-	-	-
T0022.120-035	M12	35.0	11.5	-	-	-
T0022.120-040	M12	40.0	11.5	-	-	-
T0022.120-045	M12	45.0	11.5	-	-	-
T0022.120-050	M12	50.0	11.5	-	-	-
T0022.120-055	M12	55.0	11.5	-	-	-
T0022.120-060	M12	60.0	11.5	-	-	-
T0022.120-065	M12	65.0	11.5	-	-	-
T0022.120-070	M12	70.0	11.5	-	-	-
T0022.120-080	M12	80.0	11.5	-	-	-
T0022.120-090	M12	90.0	11.5	-	-	-
T0022.120-100	M12	100.0	11.5	-	-	-
T0022.160-020	M16	20.0	-	-	-	-
T0022.160-025	M16	25.0	-	-	-	-
T0022.160-030	M16	30.0	-	-	-	-
T0022.160-035	M16	35.0	-	-	-	-
T0022.160-040	M16	40.0	-	-	-	-
T0022.160-045	M16	45.0	-	-	-	-
T0022.160-050	M16	50.0	-	-	-	-
T0022.160-055	M16	55.0	-	-	-	-
T0022.160-060	M16	60.0	-	-	-	-
T0022.160-065	M16	65.0	-	-	-	-
T0022.160-070	M16	70.0	-	-	-	-
T0022.160-080	M16	80.0	-	-	-	-
T0022.160-090	M16	90.0	-	-	-	-
T0022.160-100	M16	100.0	-	-	-	-

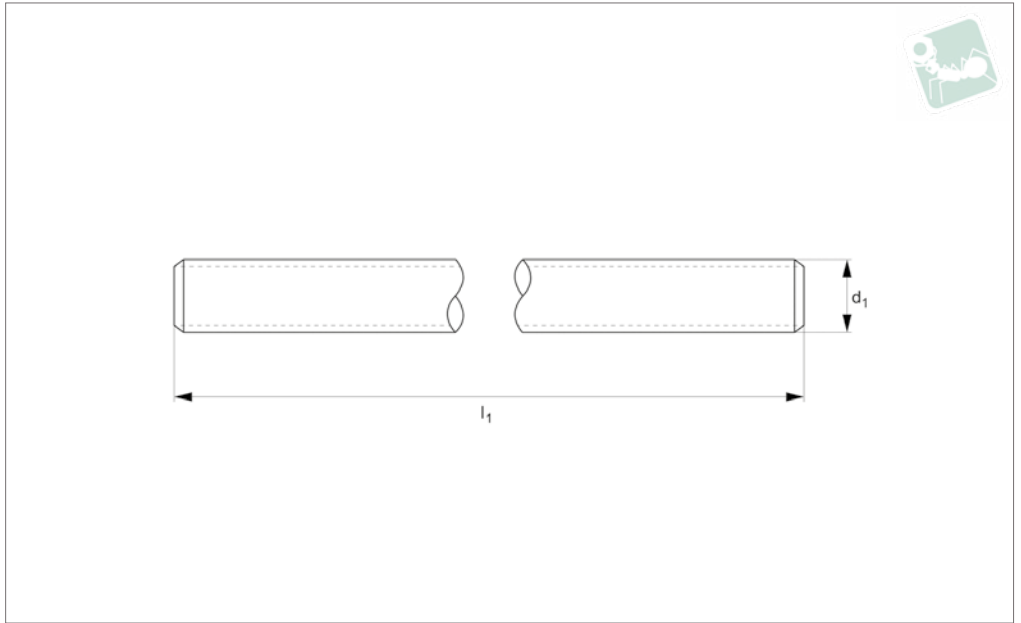
TITANIUM



TITANIUM



T0491.T2



Material
Titanium G2.

Technical Notes
To DIN 975.

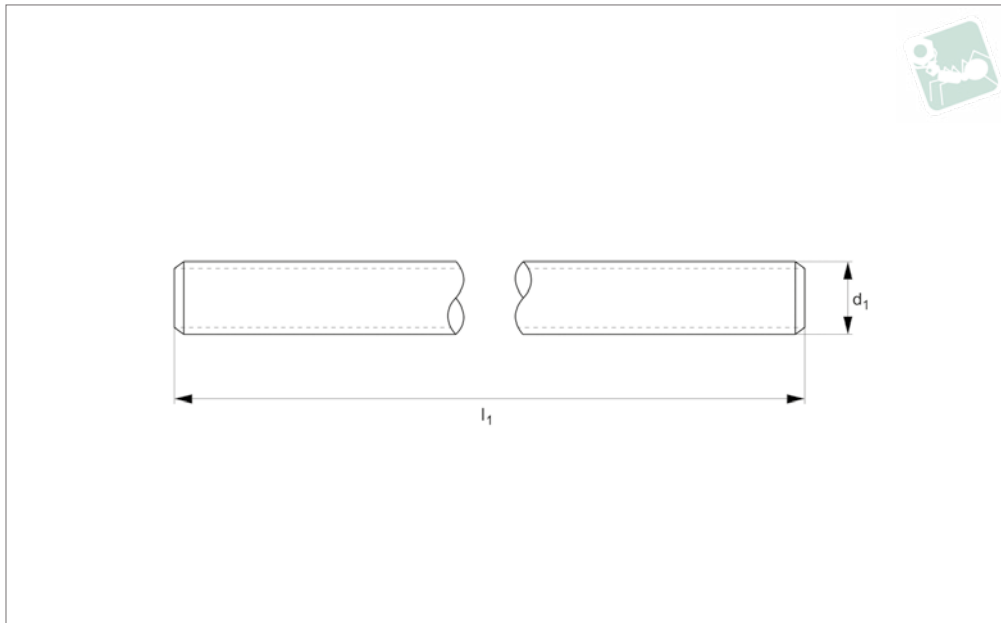
Order No.	Thread	l_1
T0491.040-1000-T2	M 4	1000.0
T0491.050-1000-T2	M 5	1000.0
T0491.060-1000-T2	M 6	1000.0
T0491.080-1000-T2	M 8	1000.0
T0491.100-125-1000-T2	M10x1,25	1000.0
T0491.100-1000-T2	M10	1000.0
T0491.120-1000-T2	M12	1000.0
T0491.160-1000-T2	M16	1000.0



Threaded Rods

Threaded Rods, Titanium 5

Titanium



T0491.T5

TITANIUM

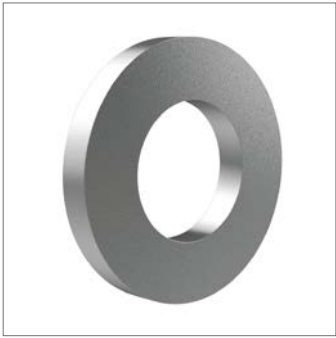
Material

Titanium 5 (6AL-4V).

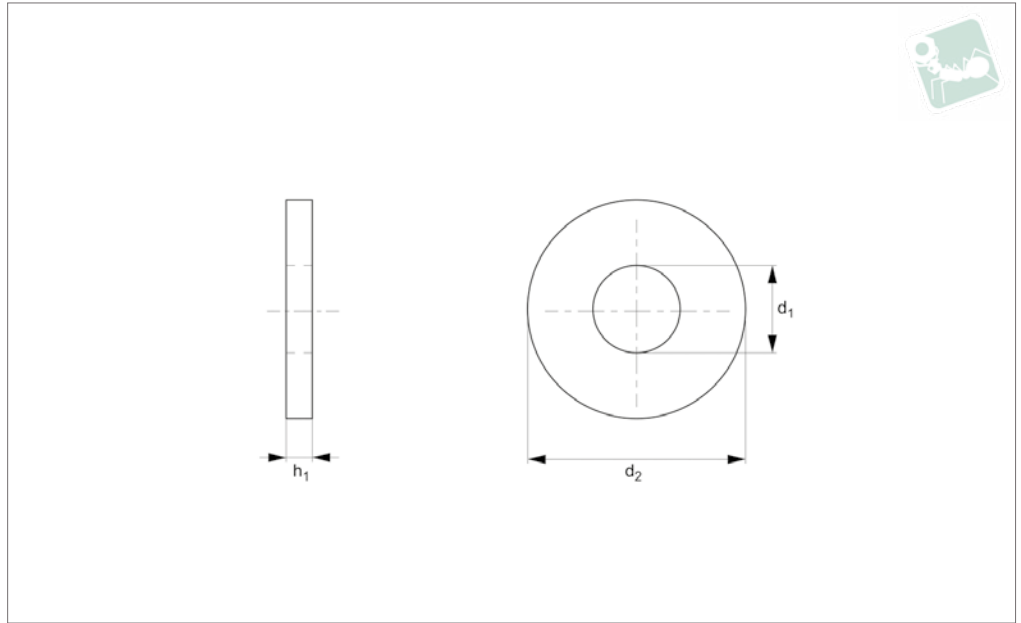
Technical Notes

To DIN 975.

Order No.	Thread	l_1
T0491.040-1000-T5	M 4	1000.0
T0491.050-1000-T5	M 5	1000.0
T0491.060-1000-T5	M 6	1000.0
T0491.080-1000-T5	M 8	1000.0
T0491.100-125-1000-T5	M10x1,25	1000.0
T0491.100-1000-T5	M10	1000.0
T0491.120-1000-T5	M12	1000.0
T0491.160-1000-T5	M16	1000.0



T0400.12T



Material

Titanium Grade 2 (commercial grade, high corrosion resistance, strong weldability,

standard strength).

Titanium Grade 5 (aerospace grade Ti 6Al-4V Titanium alloy, good strength to weight

ratio, corrosion resistant).

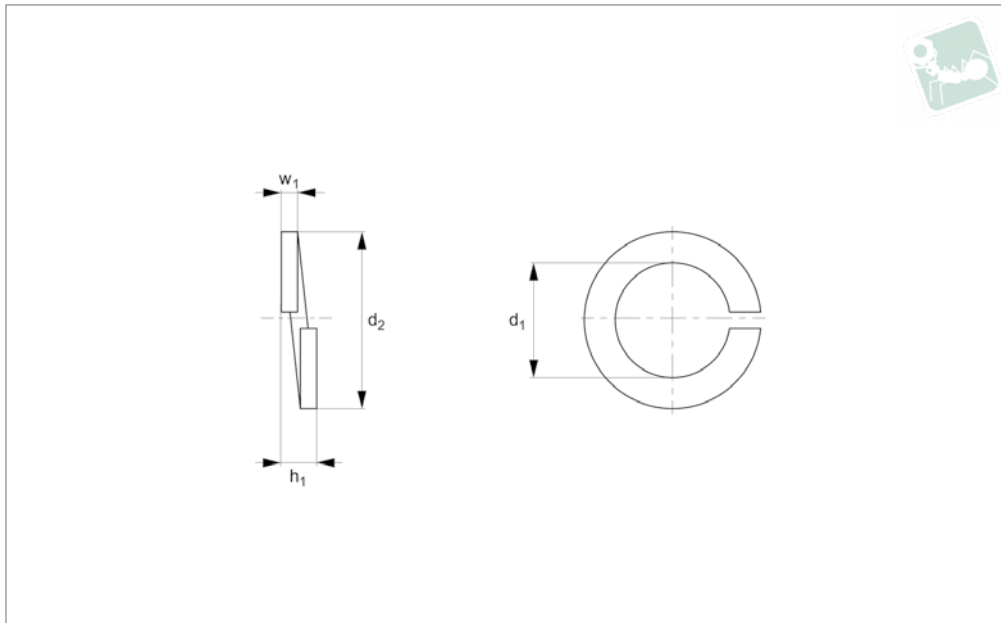
Order No.	For thread	d ₁	d ₂	h ₁	Material
12T.020.0050.2AD	M 2	2.2	5	0.3	Grade 2
12T.030.0070.2AD	M 3	3.2	7	0.5	Grade 2
12T.035.0080.2AD	M 3,5	3.7	8	0.5	Grade 2
12T.040.0090.2AD	M 4	4.3	9	0.9	Grade 2
12T.050.0100.2AD	M 5	5.3	10	1.1	Grade 2
12T.060.0120.2AD	M 6	6.4	12	1.5	Grade 2
12T.080.0160.2AD	M 8	8.4	16	1.5	Grade 2
12T.100.0200.2AD	M10	10.5	20	2.2	Grade 2
12T.120.0240.2AD	M12	13.0	24	2.7	Grade 2
12T.140.0280.2AD	M14	15.0	28	2.7	Grade 2
12T.160.0300.2AD	M16	17.0	30	3.3	Grade 2
12T.220.0390.2AD	M22	23.0	39	3.3	Grade 2
12T.240.0440.2AD	M24	25.0	44	4.3	Grade 2
12T.300.0560.2AD	M30	31.0	56	4.3	Grade 2
12T.020.0050.5AD	M 2	2.2	5	0.3	Grade 5
12T.030.0070.5AD	M 3	3.2	7	0.5	Grade 5
12T.035.0080.5AD	M3,5	3.7	8	0.5	Grade 5
12T.040.0090.5AD	M 4	4.3	9	0.9	Grade 5
12T.050.0100.5AD	M 5	5.3	10	1.1	Grade 5
12T.060.0120.5AD	M 6	6.4	12	1.5	Grade 5
12T.080.0160.5AD	M 8	8.4	16	1.5	Grade 5
12T.100.0200.5AD	M10	10.5	20	2.2	Grade 5
12T.120.0240.5AD	M12	13.0	24	2.7	Grade 5
12T.140.0280.5AD	M14	15.0	28	2.7	Grade 5
12T.160.0300.5AD	M16	17.0	30	3.3	Grade 5
12T.220.0390.5AD	M22	23.0	39	3.3	Grade 5
12T.240.0440.5AD	M24	25.0	44	4.3	Grade 5
12T.300.0560.5AD	M30	31.0	56	4.3	Grade 5



Spring Lock Washers

Spring Lock, DIN 127, Titanium G2 and Titanium 5

Titanium



T0403

TITANIUM

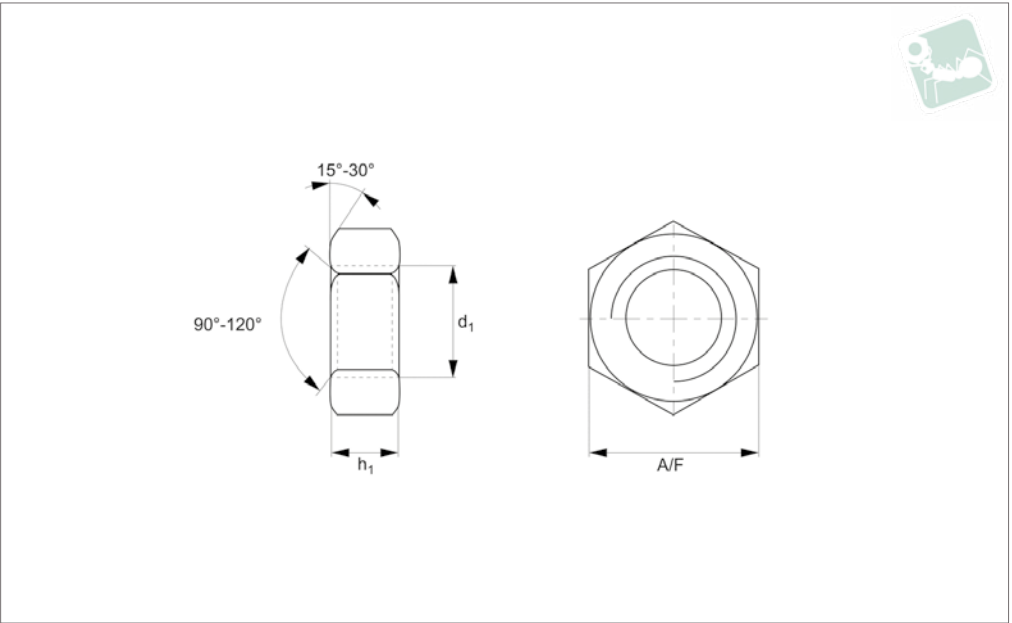
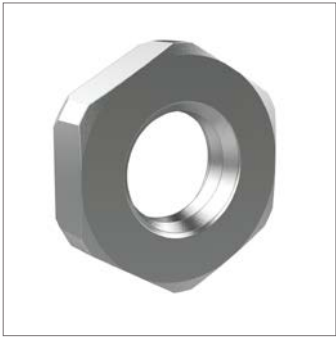
Material

Titanium G2 and Titanium 5.

Technical Notes

DIN 127

Order No.	d ₁	d ₂ max.	w ₁	h ₁	Material
T0403.030-T2	M 3	6.2	-	1.9	Titanium G2
T0403.040-T2	M 4	8.0	0.9	2.5	Titanium G2
T0403.050-T2	M 5	10.0	1.2	3.2	Titanium G2
T0403.060-T2	M 6	12.0	1.6	4.2	Titanium G2
T0403.080-T2	M 8	16.0	2.0	5.4	Titanium G2
T0403.100-T2	M10	20.0	2.2	5.9	Titanium G2
T0403.200-T2	M20	21.1	-	5.9	Titanium G2
T0403.030-T5	M 3	6.2	-	1.9	Titanium 5
T0403.040-T5	M 4	8.0	0.9	2.5	Titanium 5
T0403.050-T5	M 5	10.0	1.2	3.2	Titanium 5
T0403.060-T5	M 6	12.0	1.6	4.2	Titanium 5
T0403.080-T5	M 8	16.0	2.0	5.4	Titanium 5
T0403.100-T5	M10	20.0	2.2	5.9	Titanium 5
T0403.200-T5	M20	21.1	-	5.9	Titanium 5
T0403.140-T5	M14	24.1	-	7.1	Titanium 5
T0403.160-T5	M16	27.4	-	8.3	Titanium 5
T0403.140-T2	M14	24.1	-	7.1	Titanium G2
T0403.160-T2	M16	27.4	-	8.3	Titanium G2



TITANIUM

T0509.T2

Material
Titanium G2.

Technical Notes
To DIN 439. Standard metric coarse pitch threads.

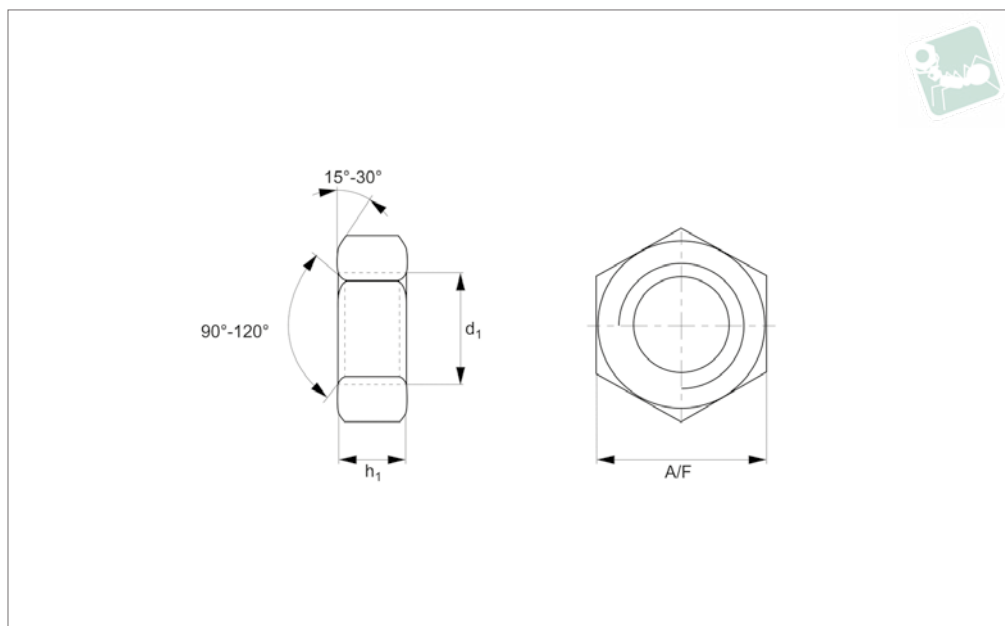
Order No.	Thread	h_1	A/F	Material
T0509.020-T2-00	M 2	0.95	4	Titanium G2
T0509.030-T2-00	M 3	1.55	5.5	Titanium G2
T0509.040-T2-00	M 4	1.95	7.0	Titanium G2
T0509.050-T2-00	M 5	2.7	8	Titanium G2
T0509.060-T2-00	M 6	3.2	10	Titanium G2
T0509.080-T2-00	M 8	4.0	13	Titanium G2
T0509.100-125-T2-00	M10x1,25	4.7	17	Titanium G2
T0509.100-T2-00	M10	5.0	17	Titanium G2
T0509.120-T2-00	M12	5.7	19	Titanium G2
T0509.160-T2-00	M16	7.42	24	Titanium G2
T0509.200-T2-00	M20	9.1	30	Titanium G2
T0509.025-T2-00	M2.5	1.35	5	Titanium G2



Hexagon Thin Nuts

unchamfered, DIN 439, Titanium 5

Titanium



T0509.T5

TITANIUM

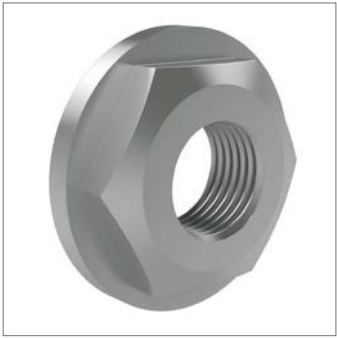
Material

Titanium 5 (6AL-4V).

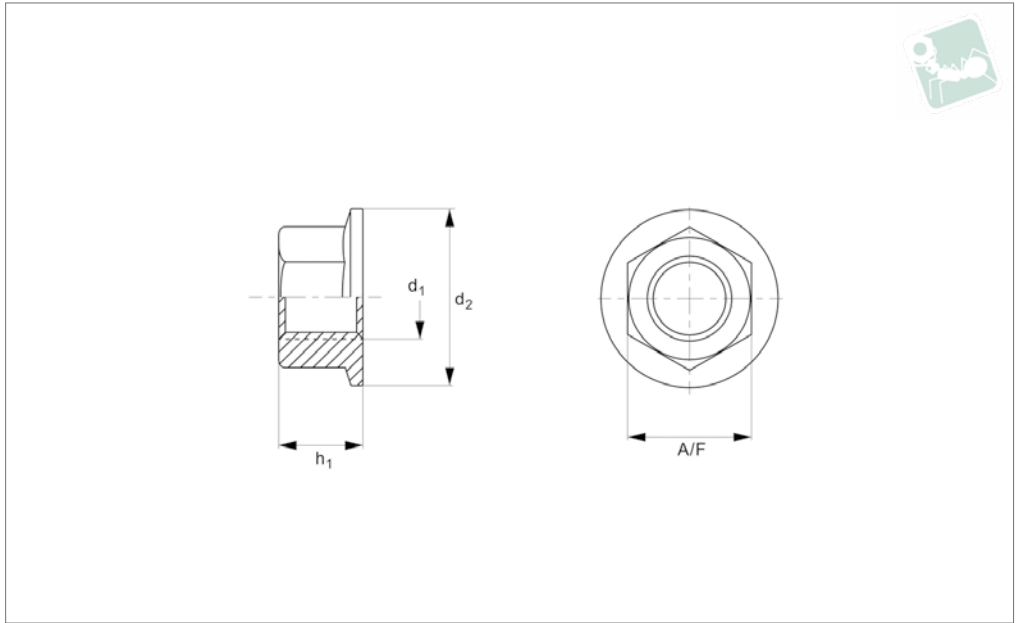
Technical Notes

To DIN 439. Standard metric coarse pitch threads.

Order No.	Thread	h_1	A/F	Material
T0509.020-T5-00	M 2	0.95	4	Titanium 5 (6AL-4V)
T0509.030-T5-00	M 3	1.55	5.5	Titanium 5 (6AL-4V)
T0509.040-T5-00	M 4	1.95	7.0	Titanium 5 (6AL-4V)
T0509.050-T5-00	M 5	2.7	8	Titanium 5 (6AL-4V)
T0509.060-T5-00	M 6	3.2	10	Titanium 5 (6AL-4V)
T0509.080-T5-00	M 8	4.0	13	Titanium 5 (6AL-4V)
T0509.100-125-T5-00	M10x1,25	4.7	17	Titanium 5 (6AL-4V)
T0509.100-T5-00	M10	5.0	17	Titanium 5 (6AL-4V)
T0509.120-T5-00	M12	5.7	19	Titanium 5 (6AL-4V)
T0509.160-T5-00	M16	7.42	24	Titanium 5 (6AL-4V)
T0509.200-T5-00	M20	9.1	30	Titanium 5 (6AL-4V)
T0509.025-T5-00	M2.5	1.35	5	Titanium 5 (6AL-4V)



T0530.T2



Material

Titanium G2.

Technical Notes

To DIN 6923.

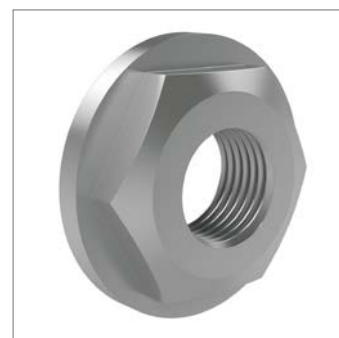
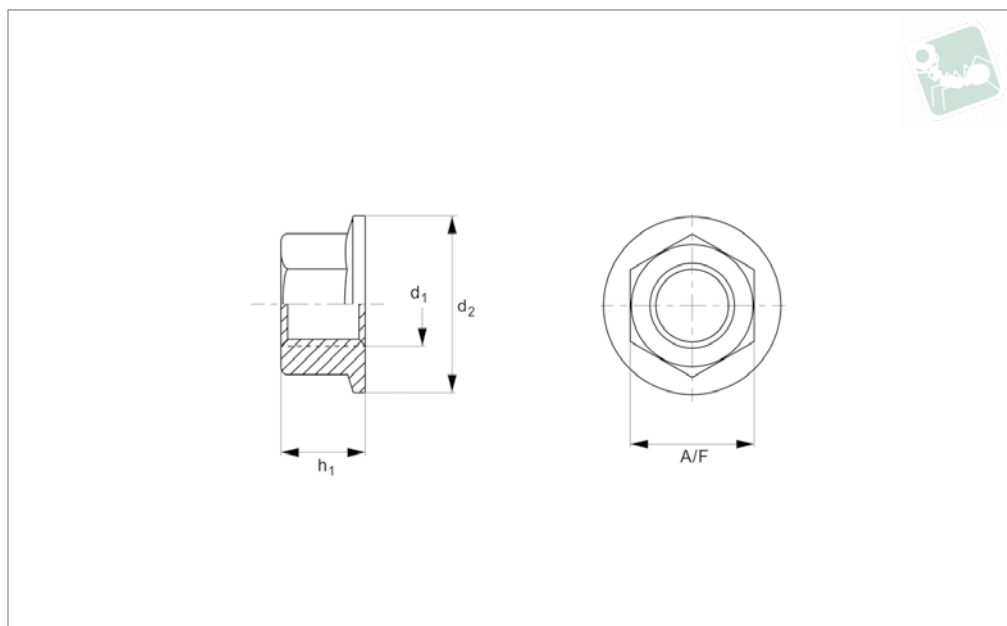
Order No.	d ₁	d ₂ max.	h ₁	A/F
T0530.040-T2	M 4	10.0	4.65	7
T0530.050-T2	M 5	11.8	5	8
T0530.060-T2	M 6	14.2	6	10
T0530.080-T2	M 8	17.9	8	13
T0530.100-T2	M10	21.8	10	15
T0530.120-T2	M12	26.0	12	18



Flanged Nuts

Flanged, DIN 6923, Titanium 5

Titanium



T0530.T5

TITANIUM

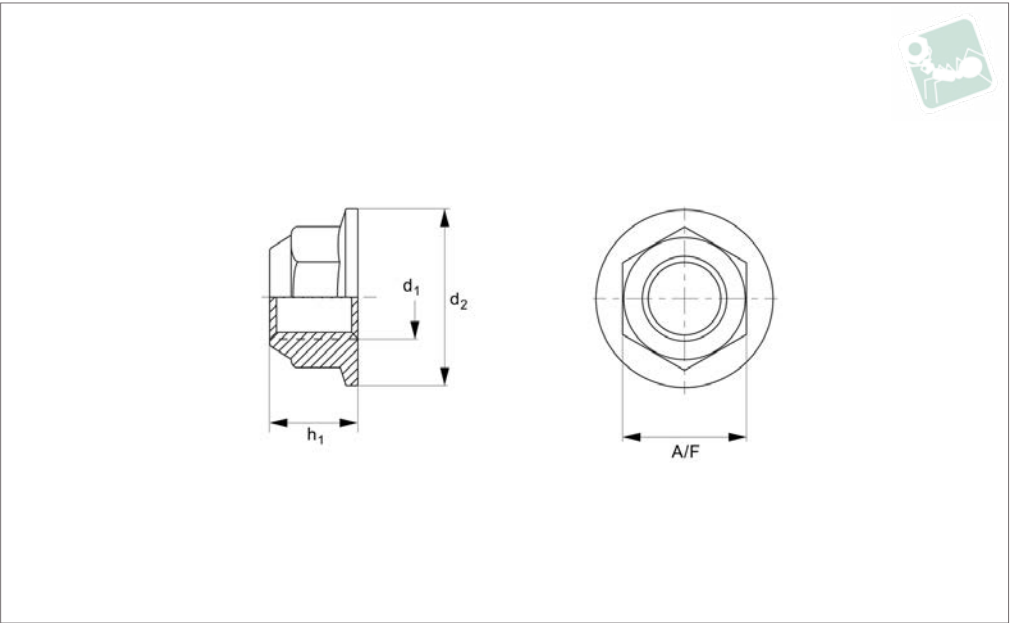
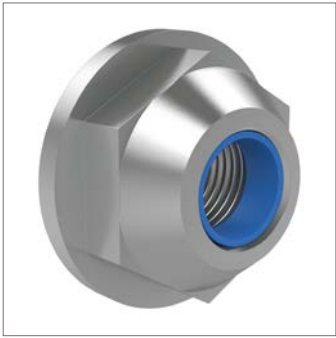
Material

Titanium 5 (6AL-4V).

Technical Notes

To DIN 6923.

Order No.	d ₁	d ₂ max.	h ₁	A/F
T0530.040-T5	M 4	10.0	4.65	7
T0530.050-T5	M 5	11.8	5	8
T0530.060-T5	M 6	14.2	6	10
T0530.080-T5	M 8	17.9	8	13
T0530.100-T5	M10	21.8	10	15
T0530.120-T5	M12	26	12	18



TITANIUM

T0533.T2

Material

Titanium G2.

Technical Notes

To DIN 6923.

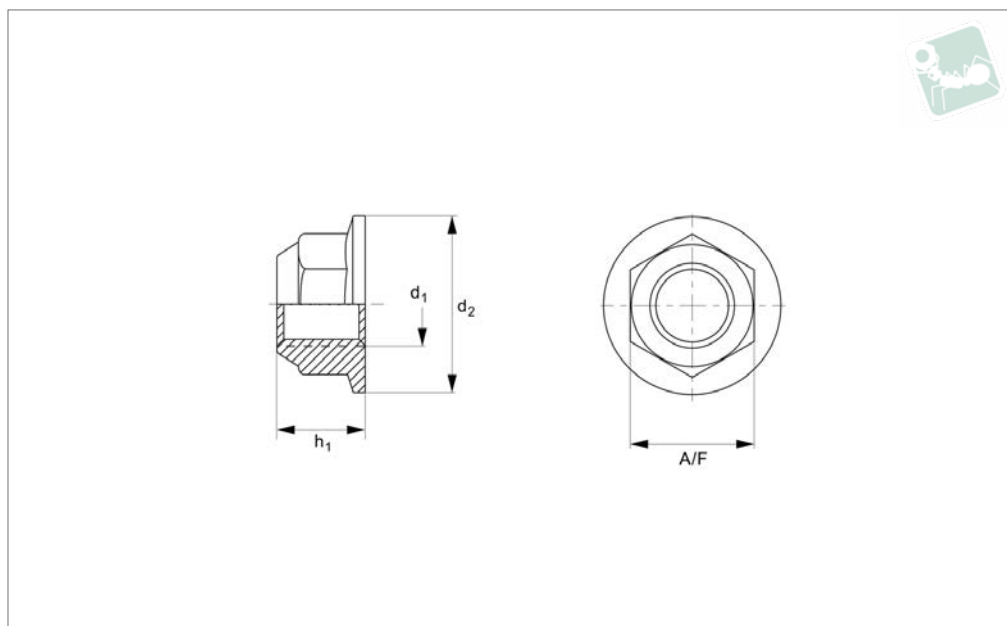
Order No.	d ₁	d ₂	h ₁	h ₂	A/F
T0533.050-T2	M 5	11.8	7.1	2.2	8
T0533.060-T2	M 6	14.2	9.1	3.1	10
T0533.080-T2	M 8	17.9	11.1	4.5	13
T0533.100-T2	M10	21.8	13.5	5.5	15
T0533.120-T2	M12	26.0	16.1	6.7	18



Flanged Nuts

Flanged, DIN 6929, Titanium 5

Titanium



T0533.T5

TITANIUM

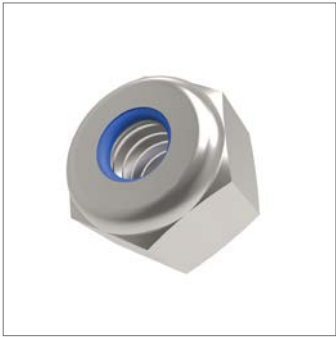
Material

Titanium 5 (6AL-4V).

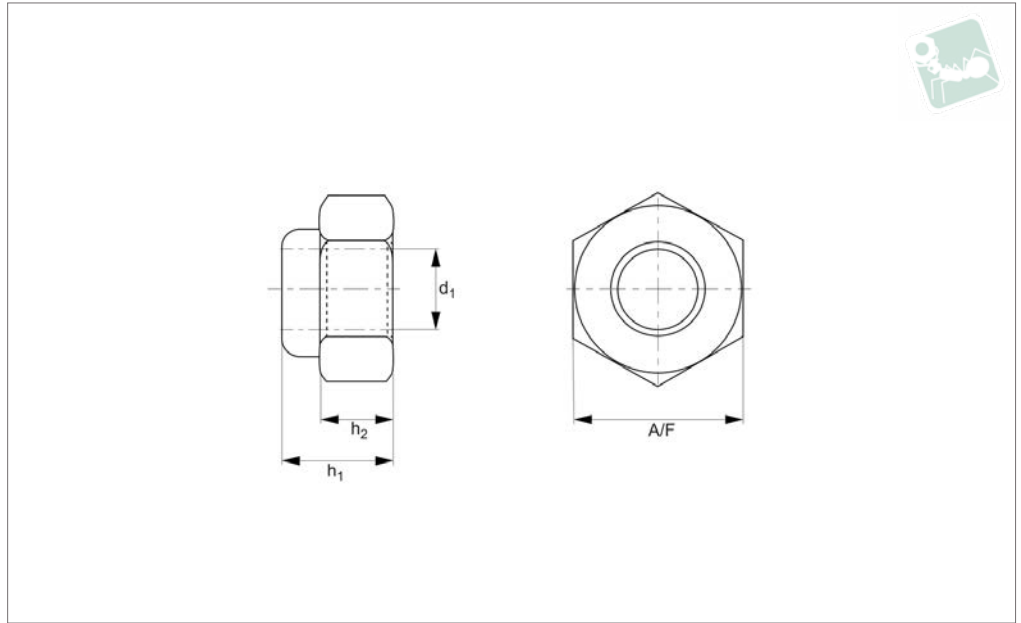
Technical Notes

To DIN 6923.

Order No.	d_1	d_2	h_1	A/F
T0533.050-T5	M 5	11.8	5	8
T0533.060-T5	M 6	14.2	6	10
T0533.080-T5	M 8	17.9	8	13
T0533.100-T5	M10	21.8	10	15
T0533.120-T5	M12	26.0	12	18



T0536



TITANIUM

Material

Titanium Grade 2 (commercial grade, high corrosion resistance, strong weldability, standard strength).

Titanium Grade 5 (aerospace grade Ti 6Al-4V Titanium alloy, good strength to weight ratio, corrosion resistant).

Technical Notes

Items to DIN 985 where stated in data table.

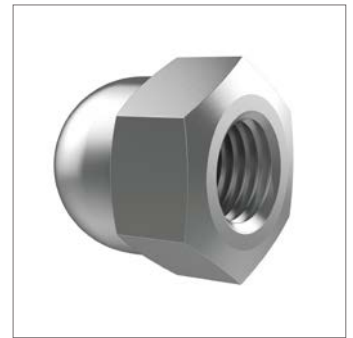
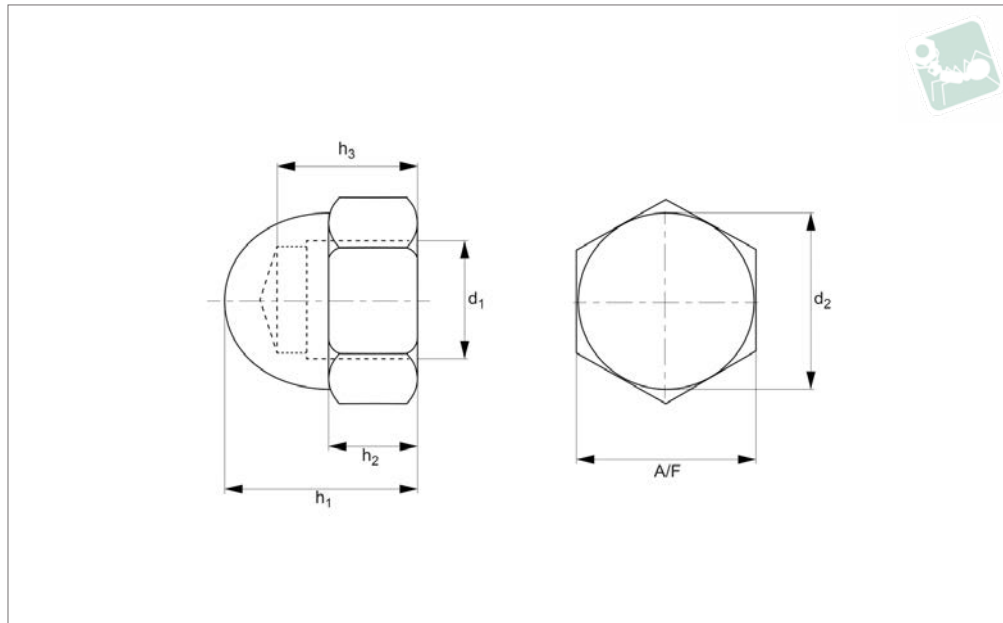
Order No.	d ₁	h ₁	h ₂	A/F	Material	Grade	Finish	To standard
T0536.030.2AD	M 3	4	2.4	5.5	Ti-G2	Comm	Natural	DIN 985
T0536.040.2AD	M 4	5	2.9	7.0	Ti-G2	Comm	Natural	DIN 985
T0536.050.2AD	M 5	5	3.2	8.0	Ti-G2	Comm	Natural	DIN 985
T0536.060.2AD	M 6	6	4.0	10.0	Ti-G2	Comm	Natural	DIN 985
T0536.080.2AD	M 8	8	5.5	13.0	Ti-G2	Comm	Natural	DIN 985
T0536.100.2AD	M10	10	6.5	17.0	Ti-G2	Comm	Natural	DIN 985
T0536.120.2AD	M12	12	8.0	19.0	Ti-G2	Comm	Natural	DIN 985
T0536.140.2AD	M14	14	9.5	22.0	Ti-G2	Comm	Natural	DIN 985
T0536.160.2AD	M16	16	13.0	24.0	Ti-G2	Comm	Natural	DIN 985
T0536.200.2AD	M20	20	14.0	30.0	Ti-G2	Comm	Natural	DIN 985
T0536.030.5AD	M 3	4	2.4	5.5	Ti-G5	Aero	Natural	DIN 985
T0536.040.5AD	M 4	5	2.9	7.0	Ti-G5	Aero	Natural	DIN 985
T0536.050.5AD	M 5	5	3.2	8.0	Ti-G5	Aero	Natural	DIN 985
T0536.060.5AD	M 6	6	4.0	10.0	Ti-G5	Aero	Natural	DIN 985
T0536.080.5AD	M 8	8	5.5	13.0	Ti-G5	Aero	Natural	DIN 985
T0536.100.5AD	M10	10	6.5	17.0	Ti-G5	Aero	Natural	DIN 985
T0536.120.5AD	M12	12	8.0	19.0	Ti-G5	Aero	Natural	DIN 985
T0536.140.5AD	M14	14	9.5	22.0	Ti-G5	Aero	Natural	DIN 985
T0536.160.5AD	M16	16	13.0	24.0	Ti-G5	Aero	Natural	DIN 985
T0536.200.5AD	M20	20	14.0	30.0	Ti-G5	Aero	Natural	DIN 985



Hexagon Domed Cap Nuts

Domed Cap Nuts, DIN 1587, Titanium G2

Titanium



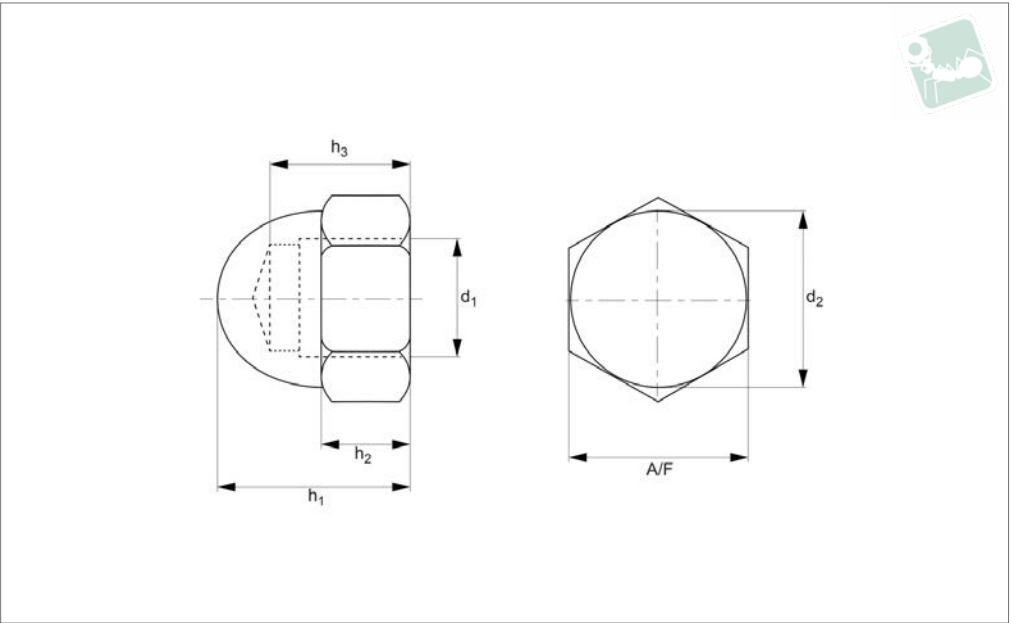
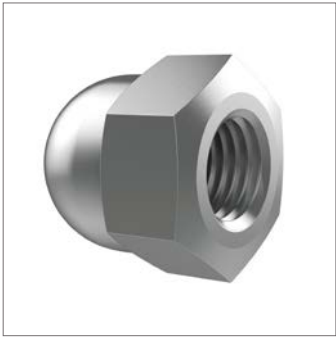
T0542.T2

TITANIUM

Material
Titanium G2.

Technical Notes
To DIN 1587.

Order No.	Thread	d_2	h_1	h_2	h_3	A/F
T0542.050-T2-00	M 5	7.5	10	4.0	7.5	8
T0542.060-T2-00	M 6	9.5	12	5.0	8.0	10
T0542.080-T2-00	M 8	12.5	15	6.5	11.0	13
T0542.100-T2-00	M10	16.0	18	8.0	13.0	16
T0542.100-125-T2-00	M10x1,25	-	18	8.0	-	16
T0542.120-T2-00	M12	18.0	22	10.0	16.0	19



TITANIUM

T0542.T5

Material
Titanium 5 (6AL-4V).

Technical Notes
To DIN 1587.

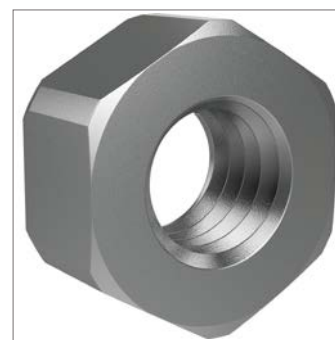
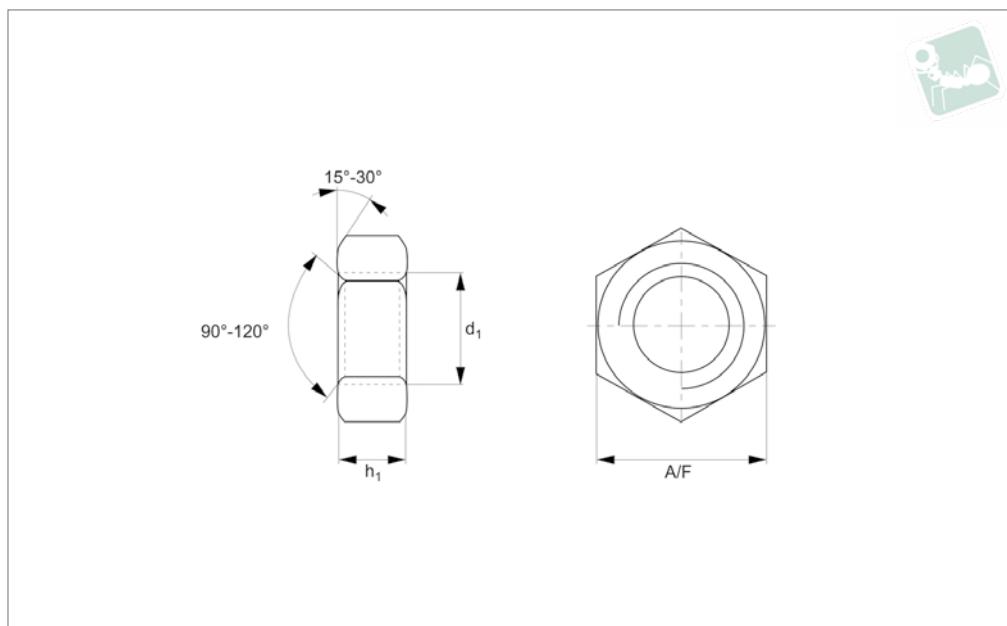
Order No.	Thread	d ₂	h ₁	h ₂	h ₃	A/F
T0542.050-T5-00	M 5	7.5	10	4.0	7.5	8
T0542.060-T5-00	M 6	9.5	12	5.0	8.0	10
T0542.080-T5-00	M 8	12.5	15	6.5	11.0	13
T0542.100-T5-00	M10	16.0	18	8.0	13.0	16
T0542.100-125-T5-00	M10x1,25	-	18	8.0	-	16
T0542.120-T5-00	M12	18.0	22	10.0	16.0	19



Hexagon Full Nut

DIN 934

Titanium



T0501

TITANIUM

Material

Titanium Grade 2 (commercial grade, high corrosion resistance, strong weldability, standard strength).

Titanium Grade 5 (aerospace grade Ti 6Al-4V Titanium alloy, good strength to weight ratio, corrosion resistant).

Technical Notes

Items to DIN 934 where stated in data table

Order No.	d ₁	h ₁	A/F	Material
T0501.016.2AD	M1,6	1.3	3.2	Grade 2
T0501.020.2AD	M 2	1.6	4.0	Grade 2
T0501.030.2AD	M 3	2.4	5.5	Grade 2
T0501.040.2AD	M 4	3.2	7.0	Grade 2
T0501.050.2AD	M 5	4.0	8.0	Grade 2
T0501.060.2AD	M 6	5.0	10.0	Grade 2
T0501.080.2AD	M 8	6.5	13.0	Grade 2
T0501.100.2AD	M10	8.0	17.0	Grade 2
T0501.120.2AD	M12	10.0	19.0	Grade 2
T0501.140.2AD	M14	11.0	22.0	Grade 2
T0501.160.2AD	M16	13.0	24.0	Grade 2
T0501.200.2AD	M20	16.0	27.0	Grade 2
T0501.030.5AD	M 3	2.4	5.5	Grade 5
T0501.040.5AD	M 4	3.2	7.0	Grade 5
T0501.050.5AD	M 5	4.0	8.0	Grade 5
T0501.060.5AD	M 6	5.0	10.0	Grade 5
T0501.080.5AD	M 8	6.5	13.0	Grade 5
T0501.100.5AD	M10	8.0	17.0	Grade 5
T0501.120.5AD	M12	10.0	19.0	Grade 5
T0501.140.5AD	M14	11.0	22.0	Grade 5
T0501.160.5AD	M16	13.0	24.0	Grade 5
T0501.200.5AD	M20	16.0	27.0	Grade 5