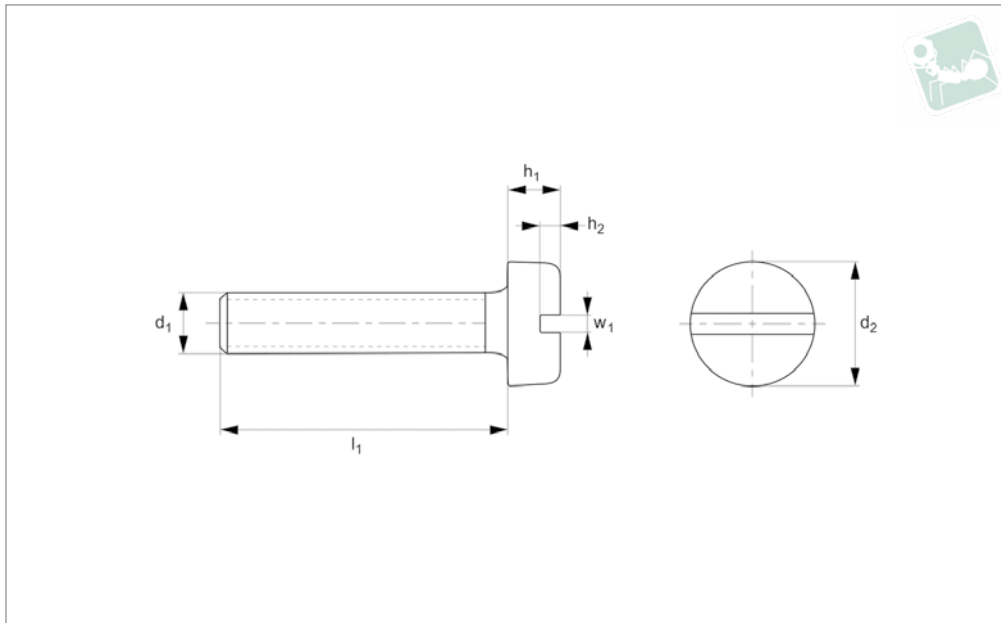




Slotted Cheese Head Screws

DIN 84, Titanium G2

Titanium



T0001.T2

TITANIUM

Material

Titanium Grade 2 (T40)

Technical Notes

To DIN 84.

Order No.	d ₁	l ₁	w ₁	h ₁	d ₂	h ₂	Material
T0001.030-010-T2	M 3	10.0	0.80	2.0	5.5	0.85	Titanium G2
T0001.030-015-T2	M 3	15.0	0.80	2.0	5.5	0.85	Titanium G2
T0001.030-020-T2	M 3	20.0	0.80	2.0	5.5	0.85	Titanium G2
T0001.030-025-T2	M 3	25.0	0.80	2.0	5.5	0.85	Titanium G2
T0001.030-030-T2	M 3	30.0	0.80	2.0	5.5	0.85	Titanium G2
T0001.030-035-T2	M 3	35.0	0.80	2.0	5.5	0.85	Titanium G2
T0001.030-040-T2	M 3	40.0	0.80	2.0	5.5	0.85	Titanium G2
T0001.030-045-T2	M 3	45.0	0.80	2.0	5.5	0.85	Titanium G2
T0001.030-050-T2	M 3	50.0	0.80	2.0	5.5	0.85	Titanium G2
T0001.030-055-T2	M 3	55.0	0.80	2.0	5.5	0.85	Titanium G2
T0001.030-060-T2	M 3	60.0	0.80	2.0	5.5	0.85	Titanium G2
T0001.040-010-T2	M 4	10.0	1.20	2.6	7.0	1.10	Titanium G2
T0001.040-015-T2	M 4	15.0	1.20	2.6	7.0	1.10	Titanium G2
T0001.040-020-T2	M 4	20.0	1.20	2.6	7.0	1.10	Titanium G2
T0001.040-025-T2	M 4	25.0	1.20	2.6	7.0	1.10	Titanium G2
T0001.040-030-T2	M 4	30.0	1.20	2.6	7.0	1.10	Titanium G2
T0001.040-035-T2	M 4	35.0	1.20	2.6	7.0	1.10	Titanium G2
T0001.040-040-T2	M 4	40.0	1.20	2.6	7.0	1.10	Titanium G2
T0001.040-045-T2	M 4	45.0	1.20	2.6	7.0	1.10	Titanium G2
T0001.040-050-T2	M 4	50.0	1.20	2.6	7.0	1.10	Titanium G2
T0001.040-055-T2	M 4	55.0	1.20	2.6	7.0	1.10	Titanium G2
T0001.040-060-T2	M 4	60.0	1.20	2.6	7.0	1.10	Titanium G2
T0001.050-010-T2	M 5	10.0	1.20	3.3	8.5	1.30	Titanium G2
T0001.050-015-T2	M 5	15.0	1.20	3.3	8.5	1.30	Titanium G2
T0001.050-020-T2	M 5	20.0	1.20	3.3	8.5	1.30	Titanium G2
T0001.050-025-T2	M 5	25.0	1.20	3.3	8.5	1.30	Titanium G2
T0001.050-030-T2	M 5	30.0	1.20	3.3	8.5	1.30	Titanium G2
T0001.050-035-T2	M 5	35.0	1.20	3.3	8.5	1.30	Titanium G2
T0001.050-040-T2	M 5	40.0	1.20	3.3	8.5	1.30	Titanium G2
T0001.050-045-T2	M 5	45.0	1.20	3.3	8.5	1.30	Titanium G2
T0001.050-050-T2	M 5	50.0	1.20	3.3	8.5	1.30	Titanium G2
T0001.050-055-T2	M 5	55.0	1.20	3.3	8.5	1.30	Titanium G2
T0001.050-060-T2	M 5	60.0	1.20	3.3	8.5	1.30	Titanium G2
T0001.060-010-T2	M 6	10.0	1.60	3.9	10.0	1.60	Titanium G2
T0001.060-015-T2	M 6	15.0	1.60	3.9	10.0	1.60	Titanium G2



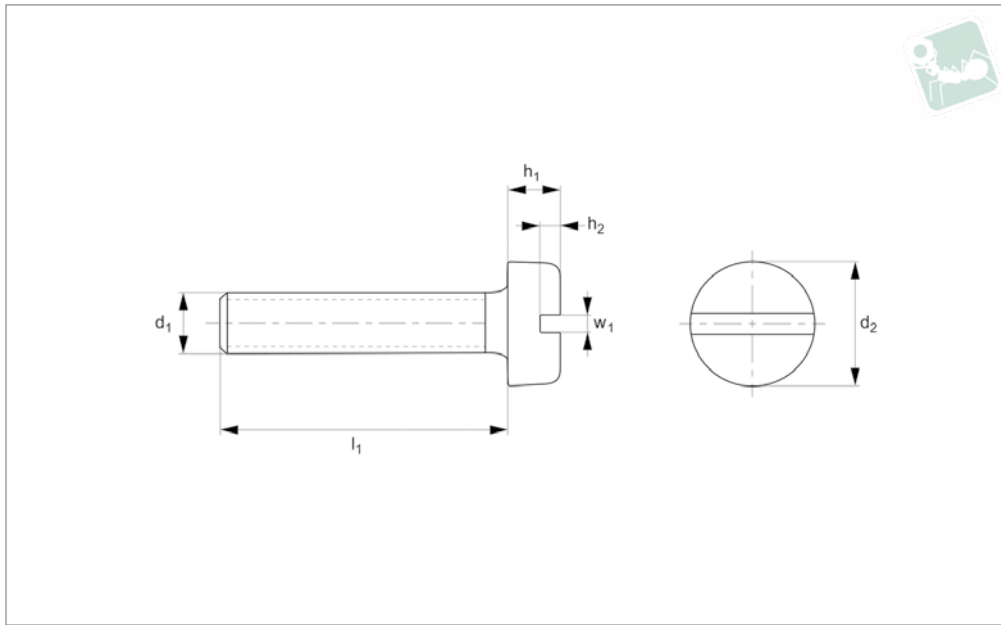
Order No.	d ₁	l ₁	w ₁	h ₁	d ₂	h ₂	Material
T0001.060-020-T2	M 6	20.0	1.60	3.9	10.0	1.60	Titanium G2
T0001.060-025-T2	M 6	25.0	1.60	3.9	10.0	1.60	Titanium G2
T0001.060-030-T2	M 6	30.0	1.60	3.9	10.0	1.60	Titanium G2
T0001.060-035-T2	M 6	35.0	1.60	3.9	10.0	1.60	Titanium G2
T0001.060-040-T2	M 6	40.0	1.60	3.9	10.0	1.60	Titanium G2
T0001.060-045-T2	M 6	45.0	1.60	3.9	10.0	1.60	Titanium G2
T0001.060-050-T2	M 6	50.0	1.60	3.9	10.0	1.60	Titanium G2
T0001.060-055-T2	M 6	55.0	1.60	3.9	10.0	1.60	Titanium G2
T0001.060-060-T2	M 6	60.0	1.60	3.9	10.0	1.60	Titanium G2
T0001.060-065-T2	M 6	65.0	1.60	3.9	10.0	1.60	Titanium G3
T0001.060-070-T2	M 6	70.0	1.60	3.9	10.0	1.60	Titanium G4
T0001.060-080-T2	M 6	80.0	1.60	3.9	10.0	1.60	Titanium G5
T0001.060-090-T2	M 6	90.0	1.60	3.9	10.0	1.60	Titanium G6
T0001.060-100-T2	M 6	100.0	1.60	3.9	10.0	1.60	Titanium G7
T0001.080-020-T2	M 8	20.0	2.00	5.0	13.0	2.00	Titanium G2
T0001.080-025-T2	M 8	25.0	2.00	5.0	13.0	2.00	Titanium G2
T0001.080-030-T2	M 8	30.0	2.00	5.0	13.0	2.00	Titanium G2
T0001.080-035-T2	M 8	35.0	2.00	5.0	13.0	2.00	Titanium G2
T0001.080-040-T2	M 8	40.0	2.00	5.0	13.0	2.00	Titanium G2
T0001.080-045-T2	M 8	45.0	2.00	5.0	13.0	2.00	Titanium G2
T0001.080-050-T2	M 8	50.0	2.00	5.0	13.0	2.00	Titanium G2
T0001.080-055-T2	M 8	55.0	2.00	5.0	13.0	2.00	Titanium G2
T0001.080-060-T2	M 8	60.0	2.00	5.0	13.0	2.00	Titanium G2
T0001.080-065-T2	M 8	65.0	2.00	5.0	13.0	2.00	Titanium G2
T0001.080-070-T2	M 8	70.0	2.00	5.0	13.0	2.00	Titanium G2
T0001.080-080-T2	M 8	80.0	2.00	5.0	13.0	2.00	Titanium G2
T0001.080-090-T2	M 8	90.0	2.00	5.0	13.0	2.00	Titanium G2
T0001.080-100-T2	M 8	100.0	2.00	5.0	13.0	2.00	Titanium G2
T0001.100-020-T2	M10	20.0	2.50	6.0	16.0	2.40	Titanium G2
T0001.100-025-T2	M10	25.0	2.50	6.0	16.0	2.40	Titanium G2
T0001.100-030-T2	M10	30.0	2.50	6.0	16.0	2.40	Titanium G2
T0001.100-035-T2	M10	35.0	2.50	6.0	16.0	2.40	Titanium G2
T0001.100-040-T2	M10	40.0	2.50	6.0	16.0	2.40	Titanium G2
T0001.100-045-T2	M10	45.0	2.50	6.0	16.0	2.40	Titanium G2
T0001.100-050-T2	M10	50.0	2.50	6.0	16.0	2.40	Titanium G2
T0001.100-055-T2	M10	55.0	2.50	6.0	16.0	2.40	Titanium G2
T0001.100-060-T2	M10	60.0	2.50	6.0	16.0	2.40	Titanium G2
T0001.100-065-T2	M10	65.0	2.50	6.0	16.0	2.40	Titanium G2
T0001.100-070-T2	M10	70.0	2.50	6.0	16.0	2.40	Titanium G2
T0001.100-080-T2	M10	80.0	2.50	6.0	16.0	2.40	Titanium G2
T0001.100-090-T2	M10	90.0	2.50	6.0	16.0	2.40	Titanium G2
T0001.100-100-T2	M10	100.0	2.50	6.0	16.0	2.40	Titanium G2
T0001.120-025-T2	M12	25.0	-	7.0	19.0	2.80	Titanium G2
T0001.120-030-T2	M12	30.0	-	7.0	19.0	2.80	Titanium G2
T0001.120-035-T2	M12	35.0	-	7.0	19.0	2.80	Titanium G2
T0001.120-040-T2	M12	40.0	-	7.0	19.0	2.80	Titanium G2
T0001.120-045-T2	M12	45.0	-	7.0	19.0	2.80	Titanium G2
T0001.120-050-T2	M12	50.0	-	7.0	19.0	2.80	Titanium G2
T0001.120-055-T2	M12	55.0	-	7.0	19.0	2.80	Titanium G2
T0001.120-060-T2	M12	60.0	-	7.0	19.0	2.80	Titanium G2
T0001.120-065-T2	M12	65.0	-	7.0	19.0	2.80	Titanium G2
T0001.120-070-T2	M12	70.0	-	7.0	19.0	2.80	Titanium G2
T0001.120-080-T2	M12	80.0	-	7.0	19.0	2.80	Titanium G2
T0001.120-090-T2	M12	90.0	-	7.0	19.0	2.80	Titanium G2
T0001.120-100-T2	M12	100.0	-	7.0	19.0	2.80	Titanium G2



Slotted Cheese Head Screws

DIN 84, Titanium Grade 5

Titanium



T0001.T5

TITANIUM

Material

Titanium 5 (TA64).

Technical Notes

To DIN 84.

Order No.	d ₁	l ₁	w ₁	h ₁	d ₂	h ₂	Material
T0001.030-010-T5	M 3	10.0	0.80	2.0	5.5	0.85	Titanium 5 (6AL-4V)
T0001.030-015-T5	M 3	15.0	0.80	2.0	5.5	0.85	Titanium 5 (6AL-4V)
T0001.030-020-T5	M 3	20.0	0.80	2.0	5.5	0.85	Titanium 5 (6AL-4V)
T0001.030-025-T5	M 3	25.0	0.80	2.0	5.5	0.85	Titanium 5 (6AL-4V)
T0001.030-030-T5	M 3	30.0	0.80	2.0	5.5	0.85	Titanium 5 (6AL-4V)
T0001.030-035-T5	M 3	35.0	0.80	2.0	5.5	0.85	Titanium 5 (6AL-4V)
T0001.030-040-T5	M 3	40.0	0.80	2.0	5.5	0.85	Titanium 5 (6AL-4V)
T0001.030-045-T5	M 3	45.0	0.80	2.0	5.5	0.85	Titanium 5 (6AL-4V)
T0001.030-050-T5	M 3	50.0	0.80	2.0	5.5	0.85	Titanium 5 (6AL-4V)
T0001.030-055-T5	M 3	55.0	0.80	2.0	5.5	0.85	Titanium 5 (6AL-4V)
T0001.030-060-T5	M 3	60.0	0.80	2.0	5.5	0.85	Titanium 5 (6AL-4V)
T0001.040-010-T5	M 4	10.0	1.20	2.6	7.0	1.10	Titanium 5 (6AL-4V)
T0001.040-015-T5	M 4	15.0	1.20	2.6	7.0	1.10	Titanium 5 (6AL-4V)
T0001.040-020-T5	M 4	20.0	1.20	2.6	7.0	1.10	Titanium 5 (6AL-4V)
T0001.040-025-T5	M 4	25.0	1.20	2.6	7.0	1.10	Titanium 5 (6AL-4V)
T0001.040-030-T5	M 4	30.0	1.20	2.6	7.0	1.10	Titanium 5 (6AL-4V)
T0001.040-035-T5	M 4	35.0	1.20	2.6	7.0	1.10	Titanium 5 (6AL-4V)
T0001.040-040-T5	M 4	40.0	1.20	2.6	7.0	1.10	Titanium 5 (6AL-4V)
T0001.040-045-T5	M 4	45.0	1.20	2.6	7.0	1.10	Titanium 5 (6AL-4V)
T0001.040-050-T5	M 4	50.0	1.20	2.6	7.0	1.10	Titanium 5 (6AL-4V)
T0001.040-055-T5	M 4	55.0	1.20	2.6	7.0	1.10	Titanium 5 (6AL-4V)
T0001.040-060-T5	M 4	60.0	1.20	2.6	7.0	1.10	Titanium 5 (6AL-4V)
T0001.050-010-T5	M 5	10.0	1.20	3.3	8.5	1.30	Titanium 5 (6AL-4V)
T0001.050-015-T5	M 5	15.0	1.20	3.3	8.5	1.30	Titanium 5 (6AL-4V)
T0001.050-020-T5	M 5	20.0	1.20	3.3	8.5	1.30	Titanium 5 (6AL-4V)
T0001.050-025-T5	M 5	25.0	1.20	3.3	8.5	1.30	Titanium 5 (6AL-4V)
T0001.050-030-T5	M 5	30.0	1.20	3.3	8.5	1.30	Titanium 5 (6AL-4V)
T0001.050-035-T5	M 5	35.0	1.20	3.3	8.5	1.30	Titanium 5 (6AL-4V)
T0001.050-040-T5	M 5	40.0	1.20	3.3	8.5	1.30	Titanium 5 (6AL-4V)
T0001.050-045-T5	M 5	45.0	1.20	3.3	8.5	1.30	Titanium 5 (6AL-4V)
T0001.050-050-T5	M 5	50.0	1.20	3.3	8.5	1.30	Titanium 5 (6AL-4V)
T0001.050-055-T5	M 5	55.0	1.20	3.3	8.5	1.30	Titanium 5 (6AL-4V)
T0001.050-060-T5	M 5	60.0	1.20	3.3	8.5	1.30	Titanium 5 (6AL-4V)
T0001.060-010-T5	M 6	10.0	1.60	3.9	10.0	1.60	Titanium 5 (6AL-4V)
T0001.060-015-T5	M 6	15.0	1.60	3.9	10.0	1.60	Titanium 5 (6AL-4V)



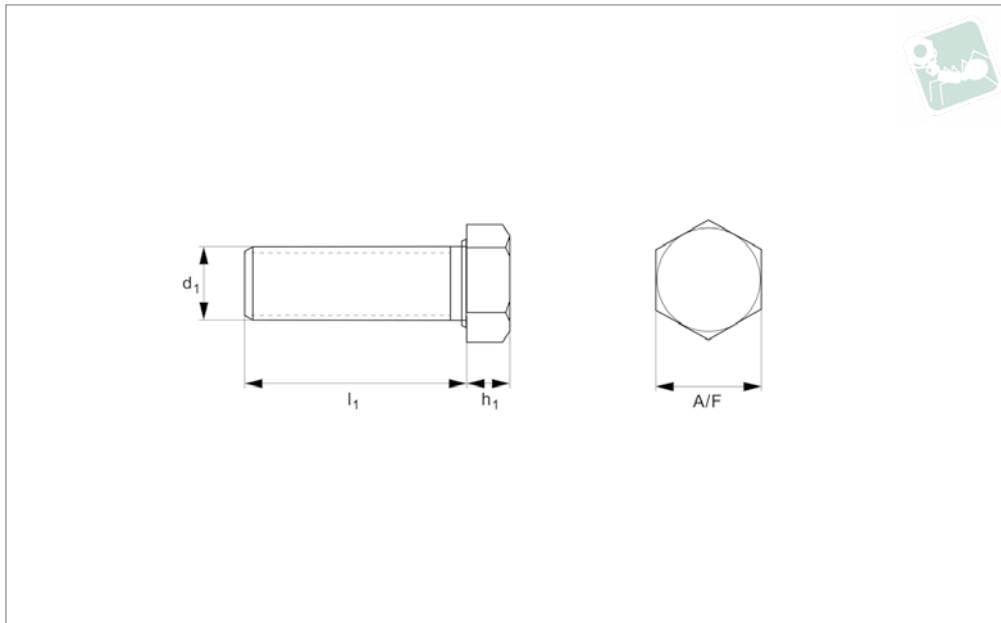
Order No.	d ₁	l ₁	w ₁	h ₁	d ₂	h ₂	Material
T0001.060-020-T5	M 6	20.0	1.60	3.9	10.0	1.60	Titanium 5 (6AL-4V)
T0001.060-025-T5	M 6	25.0	1.60	3.9	10.0	1.60	Titanium 5 (6AL-4V)
T0001.060-030-T5	M 6	30.0	1.60	3.9	10.0	1.60	Titanium 5 (6AL-4V)
T0001.060-035-T5	M 6	35.0	1.60	3.9	10.0	1.60	Titanium 5 (6AL-4V)
T0001.060-040-T5	M 6	40.0	1.60	3.9	10.0	1.60	Titanium 5 (6AL-4V)
T0001.060-045-T5	M 6	45.0	1.60	3.9	10.0	1.60	Titanium 5 (6AL-4V)
T0001.060-050-T5	M 6	50.0	1.60	3.9	10.0	1.60	Titanium 5 (6AL-4V)
T0001.060-055-T5	M 6	55.0	1.60	3.9	10.0	1.60	Titanium 5 (6AL-4V)
T0001.060-060-T5	M 6	60.0	1.60	3.9	10.0	1.60	Titanium 5 (6AL-4V)
T0001.060-065-T5	M 6	65.0	1.60	3.9	10.0	1.60	Titanium 5 (6AL-4V)
T0001.060-070-T5	M 6	70.0	1.60	3.9	10.0	1.60	Titanium 5 (6AL-4V)
T0001.060-080-T5	M 6	80.0	1.60	3.9	10.0	1.60	Titanium 5 (6AL-4V)
T0001.060-090-T5	M 6	90.0	1.60	3.9	10.0	1.60	Titanium 5 (6AL-4V)
T0001.060-100-T5	M 6	100.0	1.60	3.9	10.0	1.60	Titanium 5 (6AL-4V)
T0001.080-020-T5	M 8	20.0	2.00	5.0	13.0	2.00	Titanium 5 (6AL-4V)
T0001.080-030-T5	M 8	30.0	2.00	5.0	13.0	2.00	Titanium 5 (6AL-4V)
T0001.080-035-T5	M 8	35.0	2.00	5.0	13.0	2.00	Titanium 5 (6AL-4V)
T0001.080-040-T5	M 8	40.0	2.00	5.0	13.0	2.00	Titanium 5 (6AL-4V)
T0001.080-045-T5	M 8	45.0	2.00	5.0	13.0	2.00	Titanium 5 (6AL-4V)
T0001.080-050-T5	M 8	50.0	2.00	5.0	13.0	2.00	Titanium 5 (6AL-4V)
T0001.080-055-T5	M 8	55.0	2.00	5.0	13.0	2.00	Titanium 5 (6AL-4V)
T0001.080-060-T5	M 8	60.0	2.00	5.0	13.0	2.00	Titanium 5 (6AL-4V)
T0001.080-065-T5	M 8	65.0	2.00	5.0	13.0	2.00	Titanium 5 (6AL-4V)
T0001.080-070-T5	M 8	70.0	2.00	5.0	13.0	2.00	Titanium 5 (6AL-4V)
T0001.080-080-T5	M 8	80.0	2.00	5.0	13.0	2.00	Titanium 5 (6AL-4V)
T0001.080-090-T5	M 8	90.0	2.00	5.0	13.0	2.00	Titanium 5 (6AL-4V)
T0001.080-100-T5	M 8	100.0	2.00	5.0	13.0	2.00	Titanium 5 (6AL-4V)
T0001.100-020-T5	M10	20.0	2.50	6.0	16.0	2.40	Titanium 5 (6AL-4V)
T0001.100-025-T5	M10	25.0	2.50	6.0	16.0	2.40	Titanium 5 (6AL-4V)
T0001.100-030-T5	M10	30.0	2.50	6.0	16.0	2.40	Titanium 5 (6AL-4V)
T0001.100-035-T5	M10	35.0	2.50	6.0	16.0	2.40	Titanium 5 (6AL-4V)
T0001.100-040-T5	M10	40.0	2.50	6.0	16.0	2.40	Titanium 5 (6AL-4V)
T0001.100-045-T5	M10	45.0	2.50	6.0	16.0	2.40	Titanium 5 (6AL-4V)
T0001.100-050-T5	M10	50.0	2.50	6.0	16.0	2.40	Titanium 5 (6AL-4V)
T0001.100-055-T5	M10	55.0	2.50	6.0	16.0	2.40	Titanium 5 (6AL-4V)
T0001.100-060-T5	M10	60.0	2.50	6.0	16.0	2.40	Titanium 5 (6AL-4V)
T0001.100-065-T5	M10	65.0	2.50	6.0	16.0	2.40	Titanium 5 (6AL-4V)
T0001.100-070-T5	M10	70.0	2.50	6.0	16.0	2.40	Titanium 5 (6AL-4V)
T0001.100-080-T5	M10	80.0	2.50	6.0	16.0	2.40	Titanium 5 (6AL-4V)
T0001.100-090-T5	M10	90.0	2.50	6.0	16.0	2.40	Titanium 5 (6AL-4V)
T0001.100-100-T5	M10	100.0	2.50	6.0	16.0	2.40	Titanium 5 (6AL-4V)
T0001.120-020-T5	M12	20.0	-	7.0	19.0	2.80	Titanium 5 (6AL-4V)
T0001.120-025-T5	M12	25.0	-	7.0	19.0	2.80	Titanium 5 (6AL-4V)
T0001.120-030-T5	M12	30.0	-	7.0	19.0	2.80	Titanium 5 (6AL-4V)
T0001.120-035-T5	M12	35.0	-	7.0	19.0	2.80	Titanium 5 (6AL-4V)
T0001.120-040-T5	M12	40.0	-	7.0	19.0	2.80	Titanium 5 (6AL-4V)
T0001.120-045-T5	M12	45.0	-	7.0	19.0	2.80	Titanium 5 (6AL-4V)
T0001.120-050-T5	M12	50.0	-	7.0	19.0	2.80	Titanium 5 (6AL-4V)
T0001.120-055-T5	M12	55.0	-	7.0	19.0	2.80	Titanium 5 (6AL-4V)
T0001.120-060-T5	M12	60.0	-	7.0	19.0	2.80	Titanium 5 (6AL-4V)
T0001.120-065-T5	M12	65.0	-	7.0	19.0	2.80	Titanium 5 (6AL-4V)
T0001.120-070-T5	M12	70.0	-	7.0	19.0	2.80	Titanium 5 (6AL-4V)
T0001.120-080-T5	M12	80.0	-	7.0	19.0	2.80	Titanium 5 (6AL-4V)
T0001.120-090-T5	M12	90.0	-	7.0	19.0	2.80	Titanium 5 (6AL-4V)
T0001.120-100-T5	M12	100.0	-	7.0	19.0	2.80	Titanium 5 (6AL-4V)



Hex Head Set Screws

DIN 933 Gr.2

Titanium



T0013.93T.1

TITANIUM

Material

Titanium Grade 2 (commercial grade, high corrosion resistance, strong weldability,

standard strength).

table.

Technical Notes

Items to DIN 933 where stated in data

Order No.	d ₁	l ₁	h ₁	A/F	Material	Grade	Finish	To standard
93T.020.0006.2AD	M 2	6	1.4	4.0	Ti-G2	Comm	Natural	DIN 933
93T.020.0008.2AD	M 2	8	1.4	4.0	Ti-G2	Comm	Natural	DIN 933
93T.020.0010.2AD	M 2	10	1.4	4.0	Ti-G2	Comm	Natural	DIN 933
93T.020.0012.2AD	M 2	12	1.4	4.0	Ti-G2	Comm	Natural	DIN 933
93T.020.0015.2AD	M 2	15	1.4	4.0	Ti-G2	Comm	Natural	DIN 933
93T.020.0016.2AD	M 2	16	1.4	4.0	Ti-G2	Comm	Natural	DIN 933
93T.020.0020.2AD	M 2	20	1.4	4.0	Ti-G2	Comm	Natural	DIN 933
93T.020.0025.2AD	M 2	25	1.4	4.0	Ti-G2	Comm	Natural	DIN 933
93T.020.0030.2AD	M 2	30	1.4	4.0	Ti-G2	Comm	Natural	DIN 933
93T.025.0006.2AD	M2,5	6	1.7	5.0	Ti-G2	Comm	Natural	DIN 933
93T.025.0008.2AD	M2,5	8	1.7	5.0	Ti-G2	Comm	Natural	DIN 933
93T.025.0010.2AD	M2,5	10	1.7	5.0	Ti-G2	Comm	Natural	DIN 933
93T.025.0012.2AD	M2,5	12	1.7	5.0	Ti-G2	Comm	Natural	DIN 933
93T.025.0015.2AD	M2,5	15	1.7	5.0	Ti-G2	Comm	Natural	DIN 933
93T.025.0016.2AD	M2,5	16	1.7	5.0	Ti-G2	Comm	Natural	DIN 933
93T.025.0020.2AD	M2,5	20	1.7	5.0	Ti-G2	Comm	Natural	DIN 933
93T.025.0025.2AD	M2,5	25	1.7	5.0	Ti-G2	Comm	Natural	DIN 933
93T.025.0030.2AD	M2,5	30	1.7	5.0	Ti-G2	Comm	Natural	DIN 933
93T.025.0035.2AD	M2,5	35	1.7	5.0	Ti-G2	Comm	Natural	DIN 933
93T.025.0040.2AD	M2,5	40	1.7	5.0	Ti-G2	Comm	Natural	DIN 933
93T.030.0006.2AD	M 3	6	2.0	5.5	Ti-G2	Comm	Natural	DIN 933
93T.030.0008.2AD	M 3	8	2.0	5.5	Ti-G2	Comm	Natural	DIN 933
93T.030.0010.2AD	M 3	10	2.0	5.5	Ti-G2	Comm	Natural	DIN 933
93T.030.0012.2AD	M 3	12	2.0	5.5	Ti-G2	Comm	Natural	DIN 933
93T.030.0015.2AD	M 3	15	2.0	5.5	Ti-G2	Comm	Natural	DIN 933
93T.030.0016.2AD	M 3	16	2.0	5.5	Ti-G2	Comm	Natural	DIN 933
93T.030.0020.2AD	M 3	20	2.0	5.5	Ti-G2	Comm	Natural	DIN 933
93T.030.0025.2AD	M 3	25	2.0	5.5	Ti-G2	Comm	Natural	DIN 933
93T.030.0030.2AD	M 3	30	2.0	5.5	Ti-G2	Comm	Natural	DIN 933
93T.030.0035.2AD	M 3	35	2.0	5.5	Ti-G2	Comm	Natural	DIN 933
93T.030.0040.2AD	M 3	40	2.0	5.5	Ti-G2	Comm	Natural	DIN 933
93T.030.0045.2AD	M 3	45	2.0	5.5	Ti-G2	Comm	Natural	DIN 933
93T.030.0050.2AD	M 3	50	2.0	5.5	Ti-G2	Comm	Natural	DIN 933
93T.030.0055.2AD	M 3	55	2.0	5.5	Ti-G2	Comm	Natural	DIN 933
93T.030.0060.2AD	M 3	60	2.0	5.5	Ti-G2	Comm	Natural	DIN 933



Order No.	d ₁	l ₁	h ₁	A/F	Material	Grade	Finish	To standard
93T.030.0065.2AD	M 3	65	2.0	5.5	Ti-G2	Comm	Natural	DIN 933
93T.030.0070.2AD	M 3	70	2.0	5.5	Ti-G2	Comm	Natural	DIN 933
93T.040.0010.2AD	M 4	10	2.8	7.0	Ti-G2	Comm	Natural	DIN 933
93T.040.0012.2AD	M 4	12	2.8	7.0	Ti-G2	Comm	Natural	DIN 933
93T.040.0015.2AD	M 4	15	2.8	7.0	Ti-G2	Comm	Natural	DIN 933
93T.040.0016.2AD	M 4	16	2.8	7.0	Ti-G2	Comm	Natural	DIN 933
93T.040.0020.2AD	M 4	20	2.8	7.0	Ti-G2	Comm	Natural	DIN 933
93T.040.0025.2AD	M 4	25	2.8	7.0	Ti-G2	Comm	Natural	DIN 933
93T.040.0030.2AD	M 4	30	2.8	7.0	Ti-G2	Comm	Natural	DIN 933
93T.040.0035.2AD	M 4	35	2.8	7.0	Ti-G2	Comm	Natural	DIN 933
93T.040.0040.2AD	M 4	40	2.8	7.0	Ti-G2	Comm	Natural	DIN 933
93T.040.0045.2AD	M 4	45	2.8	7.0	Ti-G2	Comm	Natural	DIN 933
93T.040.0050.2AD	M 4	50	2.8	7.0	Ti-G2	Comm	Natural	DIN 933
93T.040.0055.2AD	M 4	55	2.8	7.0	Ti-G2	Comm	Natural	DIN 933
93T.040.0060.2AD	M 4	60	2.8	7.0	Ti-G2	Comm	Natural	DIN 933
93T.050.0010.2AD	M 5	10	3.5	8.0	Ti-G2	Comm	Natural	DIN 933
93T.050.0012.2AD	M 5	12	3.5	8.0	Ti-G2	Comm	Natural	DIN 933
93T.050.0015.2AD	M 5	15	3.5	8.0	Ti-G2	Comm	Natural	DIN 933
93T.050.0016.2AD	M 5	16	3.5	8.0	Ti-G2	Comm	Natural	DIN 933
93T.050.0020.2AD	M 5	20	3.5	8.0	Ti-G2	Comm	Natural	DIN 933
93T.050.0025.2AD	M 5	25	3.5	8.0	Ti-G2	Comm	Natural	DIN 933
93T.050.0030.2AD	M 5	30	3.5	8.0	Ti-G2	Comm	Natural	DIN 933
93T.050.0035.2AD	M 5	35	3.5	8.0	Ti-G2	Comm	Natural	DIN 933
93T.050.0040.2AD	M 5	40	3.5	8.0	Ti-G2	Comm	Natural	DIN 933
93T.050.0045.2AD	M 5	45	3.5	8.0	Ti-G2	Comm	Natural	DIN 933
93T.050.0050.2AD	M 5	50	3.5	8.0	Ti-G2	Comm	Natural	DIN 933
93T.050.0055.2AD	M 5	55	3.5	8.0	Ti-G2	Comm	Natural	DIN 933
93T.050.0060.2AD	M 5	60	3.5	8.0	Ti-G2	Comm	Natural	DIN 933
93T.060.0010.2AD	M 6	10	4.0	10.0	Ti-G2	Comm	Natural	DIN 933
93T.060.0012.2AD	M 6	12	4.0	10.0	Ti-G2	Comm	Natural	DIN 933
93T.060.0015.2AD	M 6	15	4.0	10.0	Ti-G2	Comm	Natural	DIN 933
93T.060.0016.2AD	M 6	16	4.0	10.0	Ti-G2	Comm	Natural	DIN 933
93T.060.0020.2AD	M 6	20	4.0	10.0	Ti-G2	Comm	Natural	DIN 933
93T.060.0025.2AD	M 6	25	4.0	10.0	Ti-G2	Comm	Natural	DIN 933
93T.060.0030.2AD	M 6	30	4.0	10.0	Ti-G2	Comm	Natural	DIN 933
93T.060.0035.2AD	M 6	35	4.0	10.0	Ti-G2	Comm	Natural	DIN 933
93T.060.0040.2AD	M 6	40	4.0	10.0	Ti-G2	Comm	Natural	DIN 933
93T.060.0045.2AD	M 6	45	4.0	10.0	Ti-G2	Comm	Natural	DIN 933
93T.060.0050.2AD	M 6	50	4.0	10.0	Ti-G2	Comm	Natural	DIN 933
93T.060.0060.2AD	M 6	60	4.0	10.0	Ti-G2	Comm	Natural	DIN 933
93T.060.0065.2AD	M 6	65	4.0	10.0	Ti-G2	Comm	Natural	DIN 933
93T.060.0070.2AD	M 6	70	4.0	10.0	Ti-G2	Comm	Natural	DIN 933
93T.060.0080.2AD	M 6	80	4.0	10.0	Ti-G2	Comm	Natural	DIN 933
93T.060.0090.2AD	M 6	90	4.0	10.0	Ti-G2	Comm	Natural	DIN 933
93T.060.0100.2AD	M 6	100	4.0	10.0	Ti-G2	Comm	Natural	DIN 933
93T.080.0010.2AD	M 8	10	5.3	13.0	Ti-G2	Comm	Natural	DIN 933
93T.080.0012.2AD	M 8	12	5.3	13.0	Ti-G2	Comm	Natural	DIN 933
93T.080.0015.2AD	M 8	15	5.3	13.0	Ti-G2	Comm	Natural	DIN 933
93T.080.0016.2AD	M 8	16	5.3	13.0	Ti-G2	Comm	Natural	DIN 933
93T.080.0020.2AD	M 8	20	5.3	13.0	Ti-G2	Comm	Natural	DIN 933
93T.080.0025.2AD	M 8	25	5.3	13.0	Ti-G2	Comm	Natural	DIN 933
93T.080.0030.2AD	M 8	30	5.3	13.0	Ti-G2	Comm	Natural	DIN 933
93T.080.0035.2AD	M 8	35	5.3	13.0	Ti-G2	Comm	Natural	DIN 933
93T.080.0040.2AD	M 8	40	5.3	13.0	Ti-G2	Comm	Natural	DIN 933
93T.080.0045.2AD	M 8	45	5.3	13.0	Ti-G2	Comm	Natural	DIN 933
93T.080.0050.2AD	M 8	50	5.3	13.0	Ti-G2	Comm	Natural	DIN 933
93T.080.0055.2AD	M 8	55	5.3	13.0	Ti-G2	Comm	Natural	DIN 933
93T.080.0060.2AD	M 8	60	5.3	13.0	Ti-G2	Comm	Natural	DIN 933
93T.080.0065.2AD	M 8	65	5.3	13.0	Ti-G2	Comm	Natural	DIN 933
93T.080.0070.2AD	M 8	70	5.3	13.0	Ti-G2	Comm	Natural	DIN 933
93T.080.0075.2AD	M 8	75	5.3	13.0	Ti-G2	Comm	Natural	DIN 933
93T.080.0080.2AD	M 8	80	5.3	13.0	Ti-G2	Comm	Natural	DIN 933
93T.080.0090.2AD	M 8	90	5.3	13.0	Ti-G2	Comm	Natural	DIN 933
93T.080.0100.2AD	M 8	100	5.3	13.0	Ti-G2	Comm	Natural	DIN 933
93T.080.0110.2AD	M 8	110	5.3	13.0	Ti-G2	Comm	Natural	DIN 933
93T.080.0120.2AD	M 8	120	5.3	13.0	Ti-G2	Comm	Natural	DIN 933
93T.080.0130.2AD	M 8	130	5.3	13.0	Ti-G2	Comm	Natural	DIN 933
93T.080.0140.2AD	M 8	140	5.3	13.0	Ti-G2	Comm	Natural	DIN 933
93T.080.0150.2AD	M 8	150	5.3	13.0	Ti-G2	Comm	Natural	DIN 933



Hex Head Set Screws

DIN 933 Gr.2

Titanium

Order No.	d ₁	l ₁	h ₁	A/F	Material	Grade	Finish	To standard
93T.100.0016.2AD	M10	16	6.4	17.0	Ti-G2	Comm	Natural	DIN 933
93T.100.0020.2AD	M10	20	6.4	17.0	Ti-G2	Comm	Natural	DIN 933
93T.100.0025.2AD	M10	25	6.4	17.0	Ti-G2	Comm	Natural	DIN 933
93T.100.0030.2AD	M10	30	6.4	17.0	Ti-G2	Comm	Natural	DIN 933
93T.100.0035.2AD	M10	35	6.4	17.0	Ti-G2	Comm	Natural	DIN 933
93T.100.0040.2AD	M10	40	6.4	17.0	Ti-G2	Comm	Natural	DIN 933
93T.100.0045.2AD	M10	45	6.4	17.0	Ti-G2	Comm	Natural	DIN 933
93T.100.0050.2AD	M10	50	6.4	17.0	Ti-G2	Comm	Natural	DIN 933
93T.100.0055.2AD	M10	55	6.4	17.0	Ti-G2	Comm	Natural	DIN 933
93T.100.0060.2AD	M10	60	6.4	17.0	Ti-G2	Comm	Natural	DIN 933
93T.100.0065.2AD	M10	65	6.4	17.0	Ti-G2	Comm	Natural	DIN 933
93T.100.0070.2AD	M10	70	6.4	17.0	Ti-G2	Comm	Natural	DIN 933
93T.100.0080.2AD	M10	80	6.4	17.0	Ti-G2	Comm	Natural	DIN 933
93T.100.0090.2AD	M10	90	6.4	17.0	Ti-G2	Comm	Natural	DIN 933
93T.100.0100.2AD	M10	100	6.4	17.0	Ti-G2	Comm	Natural	DIN 933
93T.100.0110.2AD	M10	110	6.4	17.0	Ti-G2	Comm	Natural	DIN 933
93T.100.0120.2AD	M10	120	6.4	17.0	Ti-G2	Comm	Natural	DIN 933
93T.100.0130.2AD	M10	130	6.4	17.0	Ti-G2	Comm	Natural	DIN 933
93T.100.0140.2AD	M10	140	6.4	17.0	Ti-G2	Comm	Natural	DIN 933
93T.100.0150.2AD	M10	150	6.4	17.0	Ti-G2	Comm	Natural	DIN 933
93T.120.0020.2AD	M12	20	7.5	19.0	Ti-G2	Comm	Natural	DIN 933
93T.120.0025.2AD	M12	25	7.5	19.0	Ti-G2	Comm	Natural	DIN 933
93T.120.0030.2AD	M12	30	7.5	19.0	Ti-G2	Comm	Natural	DIN 933
93T.120.0035.2AD	M12	35	7.5	19.0	Ti-G2	Comm	Natural	DIN 933
93T.120.0040.2AD	M12	40	7.5	19.0	Ti-G2	Comm	Natural	DIN 933
93T.120.0045.2AD	M12	45	7.5	19.0	Ti-G2	Comm	Natural	DIN 933
93T.120.0050.2AD	M12	50	7.5	19.0	Ti-G2	Comm	Natural	DIN 933
93T.120.0055.2AD	M12	55	7.5	19.0	Ti-G2	Comm	Natural	DIN 933
93T.120.0060.2AD	M12	60	7.5	19.0	Ti-G2	Comm	Natural	DIN 933
93T.120.0065.2AD	M12	65	7.5	19.0	Ti-G2	Comm	Natural	DIN 933
93T.120.0070.2AD	M12	70	7.5	19.0	Ti-G2	Comm	Natural	DIN 933
93T.120.0080.2AD	M12	80	7.5	19.0	Ti-G2	Comm	Natural	DIN 933
93T.120.0090.2AD	M12	90	7.5	19.0	Ti-G2	Comm	Natural	DIN 933
93T.120.0100.2AD	M12	100	7.5	19.0	Ti-G2	Comm	Natural	DIN 933
93T.120.0110.2AD	M12	110	7.5	19.0	Ti-G2	Comm	Natural	DIN 933
93T.120.0120.2AD	M12	120	7.5	19.0	Ti-G2	Comm	Natural	DIN 933
93T.120.0130.2AD	M12	130	7.5	19.0	Ti-G2	Comm	Natural	DIN 933
93T.120.0140.2AD	M12	140	7.5	19.0	Ti-G2	Comm	Natural	DIN 933
93T.120.0150.2AD	M12	150	7.5	19.0	Ti-G2	Comm	Natural	DIN 933
93T.140.0020.2AD	M14	20	8.8	22.0	Ti-G2	Comm	Natural	DIN 933
93T.140.0025.2AD	M14	25	8.8	22.0	Ti-G2	Comm	Natural	DIN 933
93T.140.0030.2AD	M14	30	8.8	22.0	Ti-G2	Comm	Natural	DIN 933
93T.140.0035.2AD	M14	35	8.8	22.0	Ti-G2	Comm	Natural	DIN 933
93T.140.0040.2AD	M14	40	8.8	22.0	Ti-G2	Comm	Natural	DIN 933
93T.140.0045.2AD	M14	45	8.8	22.0	Ti-G2	Comm	Natural	DIN 933
93T.140.0050.2AD	M14	50	8.8	22.0	Ti-G2	Comm	Natural	DIN 933
93T.140.0055.2AD	M14	55	8.8	22.0	Ti-G2	Comm	Natural	DIN 933
93T.140.0060.2AD	M14	60	8.8	22.0	Ti-G2	Comm	Natural	DIN 933
93T.140.0065.2AD	M14	65	8.8	22.0	Ti-G2	Comm	Natural	DIN 933
93T.140.0070.2AD	M14	70	8.8	22.0	Ti-G2	Comm	Natural	DIN 933
93T.140.0080.2AD	M14	80	8.8	22.0	Ti-G2	Comm	Natural	DIN 933
93T.140.0090.2AD	M14	90	8.8	22.0	Ti-G2	Comm	Natural	DIN 933
93T.140.0100.2AD	M14	100	8.8	22.0	Ti-G2	Comm	Natural	DIN 933
93T.140.0110.2AD	M14	110	8.8	22.0	Ti-G2	Comm	Natural	DIN 933
93T.140.0130.2AD	M14	130	8.8	22.0	Ti-G2	Comm	Natural	DIN 933
93T.140.0140.2AD	M14	120	8.8	22.0	Ti-G2	Comm	Natural	DIN 933
93T.140.0150.2AD	M14	150	8.8	22.0	Ti-G2	Comm	Natural	DIN 933
93T.160.0020.2AD	M16	20	10.0	24.0	Ti-G2	Comm	Natural	DIN 933
93T.160.0025.2AD	M16	25	10.0	24.0	Ti-G2	Comm	Natural	DIN 933
93T.160.0030.2AD	M16	30	10.0	24.0	Ti-G2	Comm	Natural	DIN 933
93T.160.0035.2AD	M16	35	10.0	24.0	Ti-G2	Comm	Natural	DIN 933
93T.160.0040.2AD	M16	40	10.0	24.0	Ti-G2	Comm	Natural	DIN 933
93T.160.0045.2AD	M16	45	10.0	24.0	Ti-G2	Comm	Natural	DIN 933
93T.160.0050.2AD	M16	50	10.0	24.0	Ti-G2	Comm	Natural	DIN 933
93T.160.0055.2AD	M16	55	10.0	24.0	Ti-G2	Comm	Natural	DIN 933
93T.160.0060.2AD	M16	60	10.0	24.0	Ti-G2	Comm	Natural	DIN 933
93T.160.0065.2AD	M16	65	10.0	24.0	Ti-G2	Comm	Natural	DIN 933
93T.160.0070.2AD	M16	70	10.0	24.0	Ti-G2	Comm	Natural	DIN 933
93T.160.0080.2AD	M16	80	10.0	24.0	Ti-G2	Comm	Natural	DIN 933

TITANIUM



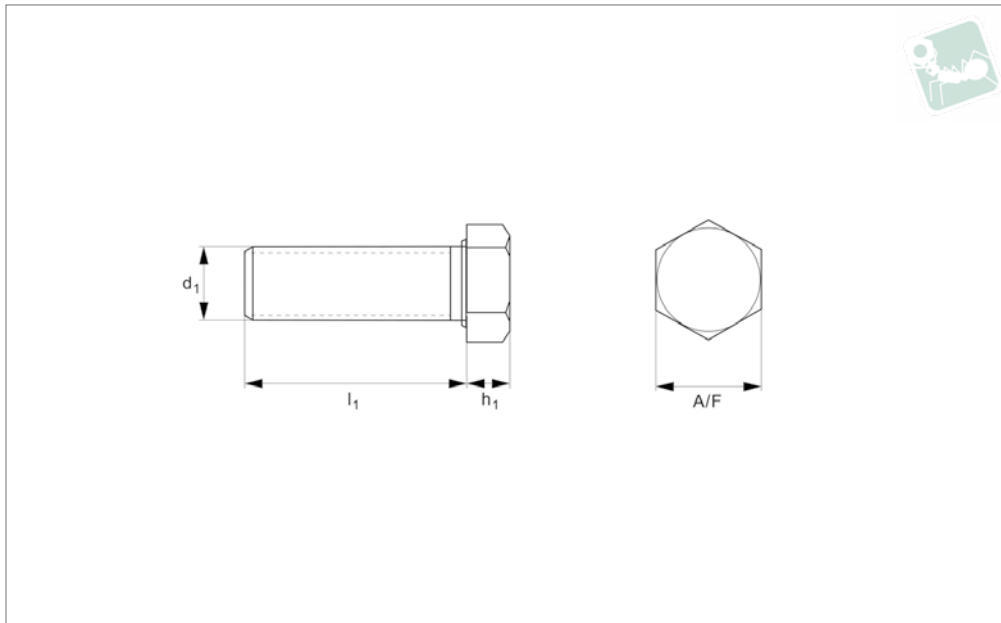
Order No.	d ₁	l ₁	h ₁	A/F	Material	Grade	Finish	To standard
93T.160.0090.2AD	M16	90	10.0	24.0	Ti-G2	Comm	Natural	DIN 933
93T.160.0100.2AD	M16	100	10.0	24.0	Ti-G2	Comm	Natural	DIN 933
93T.160.0110.2AD	M16	110	10.0	24.0	Ti-G2	Comm	Natural	DIN 933
93T.160.0120.2AD	M16	120	10.0	24.0	Ti-G2	Comm	Natural	DIN 933
93T.160.0130.2AD	M16	130	10.0	24.0	Ti-G2	Comm	Natural	DIN 933
93T.160.0140.2AD	M16	140	10.0	24.0	Ti-G2	Comm	Natural	DIN 933
93T.160.0150.2AD	M16	150	10.0	24.0	Ti-G2	Comm	Natural	DIN 933
93T.200.0020.2AD	M20	20	12.5	30.0	Ti-G2	Comm	Natural	DIN 933
93T.200.0025.2AD	M20	25	12.5	30.0	Ti-G2	Comm	Natural	DIN 933
93T.200.0030.2AD	M20	30	12.5	30.0	Ti-G2	Comm	Natural	DIN 933
93T.200.0035.2AD	M20	35	12.5	30.0	Ti-G2	Comm	Natural	DIN 933
93T.200.0040.2AD	M20	40	12.5	30.0	Ti-G2	Comm	Natural	DIN 933
93T.200.0045.2AD	M20	45	12.5	30.0	Ti-G2	Comm	Natural	DIN 933
93T.200.0050.2AD	M20	50	12.5	30.0	Ti-G2	Comm	Natural	DIN 933
93T.200.0055.2AD	M20	55	12.5	30.0	Ti-G2	Comm	Natural	DIN 933
93T.200.0060.2AD	M20	60	12.5	30.0	Ti-G2	Comm	Natural	DIN 933
93T.200.0065.2AD	M20	65	12.5	30.0	Ti-G2	Comm	Natural	DIN 933
93T.200.0070.2AD	M20	70	12.5	30.0	Ti-G2	Comm	Natural	DIN 933
93T.200.0080.2AD	M20	80	12.5	30.0	Ti-G2	Comm	Natural	DIN 933
93T.200.0090.2AD	M20	90	12.5	30.0	Ti-G2	Comm	Natural	DIN 933
93T.200.0100.2AD	M20	100	12.5	30.0	Ti-G2	Comm	Natural	DIN 933
93T.200.0110.2AD	M20	110	12.5	30.0	Ti-G2	Comm	Natural	DIN 933
93T.200.0120.2AD	M20	120	12.5	30.0	Ti-G2	Comm	Natural	DIN 933
93T.200.0130.2AD	M20	130	12.5	30.0	Ti-G2	Comm	Natural	DIN 933
93T.200.0140.2AD	M20	140	12.5	30.0	Ti-G2	Comm	Natural	DIN 933
93T.200.0150.2AD	M20	150	12.5	30.0	Ti-G2	Comm	Natural	DIN 933



Hex Head Set Screws

DIN 933 Gr.5

Titanium



T0013.93T.2

TITANIUM

Material

Titanium Grade 5 (aerospace grade Ti 6Al-4V Titanium alloy, good strength to weight

ratio, corrosion resistant).

table.

Technical Notes

Items to DIN 933 where stated in data

Order No.	d ₁	l ₁	h ₁	A/F	Material	Grade	Finish	To standard
93T.020.0006.5AD	M 2	6	1.4	4.0	Ti-G5	Aero	Natural	DIN 933
93T.020.0008.5AD	M 2	8	1.4	4.0	Ti-G5	Aero	Natural	DIN 933
93T.020.0010.5AD	M 2	10	1.4	4.0	Ti-G5	Aero	Natural	DIN 933
93T.020.0012.5AD	M 2	12	1.4	4.0	Ti-G5	Aero	Natural	DIN 933
93T.020.0015.5AD	M 2	15	1.4	4.0	Ti-G5	Aero	Natural	DIN 933
93T.020.0016.5AD	M 2	16	1.4	4.0	Ti-G5	Aero	Natural	DIN 933
93T.020.0020.5AD	M 2	20	1.4	4.0	Ti-G5	Aero	Natural	DIN 933
93T.020.0025.5AD	M 2	25	1.4	4.0	Ti-G5	Aero	Natural	DIN 933
93T.020.0030.5AD	M 2	30	1.4	4.0	Ti-G5	Aero	Natural	DIN 933
93T.025.0006.5AD	M2,5	6	1.7	5.0	Ti-G5	Aero	Natural	DIN 933
93T.025.0008.5AD	M2,5	8	1.7	5.0	Ti-G5	Aero	Natural	DIN 933
93T.025.0010.5AD	M2,5	10	1.7	5.0	Ti-G5	Aero	Natural	DIN 933
93T.025.0012.5AD	M2,5	12	1.7	5.0	Ti-G5	Aero	Natural	DIN 933
93T.025.0015.5AD	M2,5	15	1.7	5.0	Ti-G5	Aero	Natural	DIN 933
93T.025.0016.5AD	M2,5	16	1.7	5.0	Ti-G5	Aero	Natural	DIN 933
93T.025.0020.5AD	M2,5	20	1.7	5.0	Ti-G5	Aero	Natural	DIN 933
93T.025.0025.5AD	M2,5	25	1.7	5.0	Ti-G5	Aero	Natural	DIN 933
93T.025.0030.5AD	M2,5	30	1.7	5.0	Ti-G5	Aero	Natural	DIN 933
93T.025.0035.5AD	M2,5	35	1.7	5.0	Ti-G5	Aero	Natural	DIN 933
93T.025.0040.5AD	M2,5	40	1.7	5.0	Ti-G5	Aero	Natural	DIN 933
93T.030.0006.5AD	M 3	6	2.0	5.5	Ti-G5	Aero	Natural	DIN 933
93T.030.0008.5AD	M 3	8	2.0	5.5	Ti-G5	Aero	Natural	DIN 933
93T.030.0010.5AD	M 3	10	2.0	5.5	Ti-G5	Aero	Natural	DIN 933
93T.030.0012.5AD	M 3	12	2.0	5.5	Ti-G5	Aero	Natural	DIN 933
93T.030.0015.5AD	M 3	15	2.0	5.5	Ti-G5	Aero	Natural	DIN 933
93T.030.0016.5AD	M 3	16	2.0	5.5	Ti-G5	Aero	Natural	DIN 933
93T.030.0020.5AD	M 3	20	2.0	5.5	Ti-G5	Aero	Natural	DIN 933
93T.030.0025.5AD	M 3	25	2.0	5.5	Ti-G5	Aero	Natural	DIN 933
93T.030.0030.5AD	M 3	30	2.0	5.5	Ti-G5	Aero	Natural	DIN 933
93T.030.0035.5AD	M 3	35	2.0	5.5	Ti-G5	Aero	Natural	DIN 933
93T.030.0040.5AD	M 3	40	2.0	5.5	Ti-G5	Aero	Natural	DIN 933
93T.030.0045.5AD	M 3	45	2.0	5.5	Ti-G5	Aero	Natural	DIN 933
93T.030.0050.5AD	M 3	50	2.0	5.5	Ti-G5	Aero	Natural	DIN 933
93T.030.0055.5AD	M 3	55	2.0	5.5	Ti-G5	Aero	Natural	DIN 933
93T.030.0060.5AD	M 3	60	2.0	5.5	Ti-G5	Aero	Natural	DIN 933



Order No.	d ₁	l ₁	h ₁	A/F	Material	Grade	Finish	To standard
93T.040.0010.5AD	M 4	10	2.8	7.0	Ti-G5	Aero	Natural	DIN 933
93T.040.0012.5AD	M 4	12	2.8	7.0	Ti-G5	Aero	Natural	DIN 933
93T.040.0015.5AD	M 4	15	2.8	7.0	Ti-G5	Aero	Natural	DIN 933
93T.040.0016.5AD	M 4	16	2.8	7.0	Ti-G5	Aero	Natural	DIN 933
93T.040.0020.5AD	M 4	20	2.8	7.0	Ti-G5	Aero	Natural	DIN 933
93T.040.0025.5AD	M 4	25	2.8	7.0	Ti-G5	Aero	Natural	DIN 933
93T.040.0030.5AD	M 4	30	2.8	7.0	Ti-G5	Aero	Natural	DIN 933
93T.040.0035.5AD	M 4	35	2.8	7.0	Ti-G5	Aero	Natural	DIN 933
93T.040.0040.5AD	M 4	40	2.8	7.0	Ti-G5	Aero	Natural	DIN 933
93T.040.0045.5AD	M 4	45	2.8	7.0	Ti-G5	Aero	Natural	DIN 933
93T.040.0050.5AD	M 4	50	2.8	7.0	Ti-G5	Aero	Natural	DIN 933
93T.040.0055.5AD	M 4	55	2.8	7.0	Ti-G5	Aero	Natural	DIN 933
93T.040.0060.5AD	M 4	60	2.8	7.0	Ti-G5	Aero	Natural	DIN 933
93T.050.0010.5AD	M 5	10	3.5	8.0	Ti-G5	Aero	Natural	DIN 933
93T.050.0012.5AD	M 5	12	3.5	8.0	Ti-G5	Aero	Natural	DIN 933
93T.050.0015.5AD	M 5	15	3.5	8.0	Ti-G5	Aero	Natural	DIN 933
93T.050.0016.5AD	M 5	16	3.5	8.0	Ti-G5	Aero	Natural	DIN 933
93T.050.0020.5AD	M 5	20	3.5	8.0	Ti-G5	Aero	Natural	DIN 933
93T.050.0025.5AD	M 5	25	3.5	8.0	Ti-G5	Aero	Natural	DIN 933
93T.050.0030.5AD	M 5	30	3.5	8.0	Ti-G5	Aero	Natural	DIN 933
93T.050.0035.5AD	M 5	35	3.5	8.0	Ti-G5	Aero	Natural	DIN 933
93T.050.0040.5AD	M 5	40	3.5	8.0	Ti-G5	Aero	Natural	DIN 933
93T.050.0045.5AD	M 5	45	3.5	8.0	Ti-G5	Aero	Natural	DIN 933
93T.050.0050.5AD	M 5	50	3.5	8.0	Ti-G5	Aero	Natural	DIN 933
93T.050.0055.5AD	M 5	55	3.5	8.0	Ti-G5	Aero	Natural	DIN 933
93T.050.0060.5AD	M 5	60	3.5	8.0	Ti-G5	Aero	Natural	DIN 933
93T.060.0010.5AD	M 6	10	4.0	10.0	Ti-G5	Aero	Natural	DIN 933
93T.060.0012.5AD	M 6	12	4.0	10.0	Ti-G5	Aero	Natural	DIN 933
93T.060.0015.5AD	M 6	15	4.0	10.0	Ti-G5	Aero	Natural	DIN 933
93T.060.0016.5AD	M 6	16	4.0	10.0	Ti-G5	Aero	Natural	DIN 933
93T.060.0020.5AD	M 6	20	4.0	10.0	Ti-G5	Aero	Natural	DIN 933
93T.060.0025.5AD	M 6	25	4.0	10.0	Ti-G5	Aero	Natural	DIN 933
93T.060.0030.5AD	M 6	30	4.0	10.0	Ti-G5	Aero	Natural	DIN 933
93T.060.0035.5AD	M 6	35	4.0	10.0	Ti-G5	Aero	Natural	DIN 933
93T.060.0040.5AD	M 6	40	4.0	10.0	Ti-G5	Aero	Natural	DIN 933
93T.060.0045.5AD	M 6	45	4.0	10.0	Ti-G5	Aero	Natural	DIN 933
93T.060.0050.5AD	M 6	50	4.0	10.0	Ti-G5	Aero	Natural	DIN 933
93T.060.0055.5AD	M 6	55	4.0	10.0	Ti-G5	Aero	Natural	DIN 933
93T.060.0060.5AD	M 6	60	4.0	10.0	Ti-G5	Aero	Natural	DIN 933
93T.060.0065.5AD	M 6	65	4.0	10.0	Ti-G5	Aero	Natural	DIN 933
93T.060.0070.5AD	M 6	70	4.0	10.0	Ti-G5	Aero	Natural	DIN 933
93T.060.0080.5AD	M 6	80	4.0	10.0	Ti-G5	Aero	Natural	DIN 933
93T.060.0090.5AD	M 6	90	4.0	10.0	Ti-G5	Aero	Natural	DIN 933
93T.060.0100.5AD	M 6	100	4.0	10.0	Ti-G5	Aero	Natural	DIN 933
93T.080.0010.5AD	M 8	10	5.3	13.0	Ti-G5	Aero	Natural	DIN 933
93T.080.0012.5AD	M 8	12	5.3	13.0	Ti-G5	Aero	Natural	DIN 933
93T.080.0015.5AD	M 8	15	5.3	13.0	Ti-G5	Aero	Natural	DIN 933
93T.080.0016.5AD	M 8	16	5.3	13.0	Ti-G5	Aero	Natural	DIN 933
93T.080.0020.5AD	M 8	20	5.3	13.0	Ti-G5	Aero	Natural	DIN 933
93T.080.0025.5AD	M 8	25	5.3	13.0	Ti-G5	Aero	Natural	DIN 933
93T.080.0030.5AD	M 8	30	5.3	13.0	Ti-G5	Aero	Natural	DIN 933
93T.080.0035.5AD	M 8	35	5.3	13.0	Ti-G5	Aero	Natural	DIN 933
93T.080.0040.5AD	M 8	40	5.3	13.0	Ti-G5	Aero	Natural	DIN 933
93T.080.0045.5AD	M 8	45	5.3	13.0	Ti-G5	Aero	Natural	DIN 933
93T.080.0050.5AD	M 8	50	5.3	13.0	Ti-G5	Aero	Natural	DIN 933
93T.080.0055.5AD	M 8	55	5.3	13.0	Ti-G5	Aero	Natural	DIN 933
93T.080.0060.5AD	M 8	60	5.3	13.0	Ti-G5	Aero	Natural	DIN 933
93T.080.0065.5AD	M 8	65	5.3	13.0	Ti-G5	Aero	Natural	DIN 933
93T.080.0070.5AD	M 8	70	5.3	13.0	Ti-G5	Aero	Natural	DIN 933
93T.080.0080.5AD	M 8	80	5.3	13.0	Ti-G5	Aero	Natural	DIN 933
93T.080.0090.5AD	M 8	90	5.3	13.0	Ti-G5	Aero	Natural	DIN 933
93T.080.0100.5AD	M 8	100	5.3	13.0	Ti-G5	Aero	Natural	DIN 933
93T.080.0110.5AD	M 8	110	5.3	13.0	Ti-G5	Aero	Natural	DIN 933
93T.080.0120.5AD	M 8	120	5.3	13.0	Ti-G5	Aero	Natural	DIN 933
93T.080.0130.5AD	M 8	130	5.3	13.0	Ti-G5	Aero	Natural	DIN 933
93T.080.0140.5AD	M 8	140	5.3	13.0	Ti-G5	Aero	Natural	DIN 933
93T.080.0150.5AD	M 8	150	5.3	13.0	Ti-G5	Aero	Natural	DIN 933
93T.100.0016.5AD	M10	16	6.4	17.0	Ti-G5	Aero	Natural	DIN 933
93T.100.0020.5AD	M10	20	6.4	17.0	Ti-G5	Aero	Natural	DIN 933



Hex Head Set Screws

DIN 933 Gr.5

Titanium

Order No.	d ₁	l ₁	h ₁	A/F	Material	Grade	Finish	To standard
93T.100.0025.5AD	M10	25	6.4	17.0	Ti-G5	Aero	Natural	DIN 933
93T.100.0030.5AD	M10	30	6.4	17.0	Ti-G5	Aero	Natural	DIN 933
93T.100.0035.5AD	M10	35	6.4	17.0	Ti-G5	Aero	Natural	DIN 933
93T.100.0040.5AD	M10	40	6.4	17.0	Ti-G5	Aero	Natural	DIN 933
93T.100.0045.5AD	M10	45	6.4	17.0	Ti-G5	Aero	Natural	DIN 933
93T.100.0050.5AD	M10	50	6.4	17.0	Ti-G5	Aero	Natural	DIN 933
93T.100.0055.5AD	M10	55	6.4	17.0	Ti-G5	Aero	Natural	DIN 933
93T.100.0060.5AD	M10	60	6.4	17.0	Ti-G5	Aero	Natural	DIN 933
93T.100.0065.5AD	M10	65	6.4	17.0	Ti-G5	Aero	Natural	DIN 933
93T.100.0070.5AD	M10	70	6.4	17.0	Ti-G5	Aero	Natural	DIN 933
93T.100.0080.5AD	M10	80	6.4	17.0	Ti-G5	Aero	Natural	DIN 933
93T.100.0090.5AD	M10	90	6.4	17.0	Ti-G5	Aero	Natural	DIN 933
93T.100.0100.5AD	M10	100	6.4	17.0	Ti-G5	Aero	Natural	DIN 933
93T.100.0110.5AD	M10	110	6.4	17.0	Ti-G5	Aero	Natural	DIN 933
93T.100.0120.5AD	M10	120	6.4	17.0	Ti-G5	Aero	Natural	DIN 933
93T.100.0130.5AD	M10	130	6.4	17.0	Ti-G5	Aero	Natural	DIN 933
93T.100.0140.5AD	M10	140	6.4	17.0	Ti-G5	Aero	Natural	DIN 933
93T.100.0150.5AD	M10	150	6.4	17.0	Ti-G5	Aero	Natural	DIN 933
93T.120.0020.5AD	M12	20	7.5	19.0	Ti-G5	Aero	Natural	DIN 933
93T.120.0025.5AD	M12	25	7.5	19.0	Ti-G5	Aero	Natural	DIN 933
93T.120.0030.5AD	M12	30	7.5	19.0	Ti-G5	Aero	Natural	DIN 933
93T.120.0035.5AD	M12	35	7.5	19.0	Ti-G5	Aero	Natural	DIN 933
93T.120.0040.5AD	M12	40	7.5	19.0	Ti-G5	Aero	Natural	DIN 933
93T.120.0045.5AD	M12	45	7.5	19.0	Ti-G5	Aero	Natural	DIN 933
93T.120.0050.5AD	M12	50	7.5	19.0	Ti-G5	Aero	Natural	DIN 933
93T.120.0055.5AD	M12	55	7.5	19.0	Ti-G5	Aero	Natural	DIN 933
93T.120.0060.5AD	M12	60	7.5	19.0	Ti-G5	Aero	Natural	DIN 933
93T.120.0065.5AD	M12	65	7.5	19.0	Ti-G5	Aero	Natural	DIN 933
93T.120.0070.5AD	M12	70	7.5	19.0	Ti-G5	Aero	Natural	DIN 933
93T.120.0080.5AD	M12	80	7.5	19.0	Ti-G5	Aero	Natural	DIN 933
93T.120.0090.5AD	M12	90	7.5	19.0	Ti-G5	Aero	Natural	DIN 933
93T.120.0100.5AD	M12	100	7.5	19.0	Ti-G5	Aero	Natural	DIN 933
93T.120.0110.5AD	M12	110	7.5	19.0	Ti-G5	Aero	Natural	DIN 933
93T.120.0120.5AD	M12	120	7.5	19.0	Ti-G5	Aero	Natural	DIN 933
93T.120.0130.5AD	M12	130	7.5	19.0	Ti-G5	Aero	Natural	DIN 933
93T.120.0140.5AD	M12	140	7.5	19.0	Ti-G5	Aero	Natural	DIN 933
93T.120.0150.5AD	M12	150	7.5	19.0	Ti-G5	Aero	Natural	DIN 933
93T.140.0020.5AD	M14	20	8.8	22.0	Ti-G5	Aero	Natural	DIN 933
93T.140.0025.5AD	M14	25	8.8	22.0	Ti-G5	Aero	Natural	DIN 933
93T.140.0030.5AD	M14	30	8.8	22.0	Ti-G5	Aero	Natural	DIN 933
93T.140.0035.5AD	M14	35	8.8	22.0	Ti-G5	Aero	Natural	DIN 933
93T.140.0040.5AD	M14	40	8.8	22.0	Ti-G5	Aero	Natural	DIN 933
93T.140.0045.5AD	M14	45	8.8	22.0	Ti-G5	Aero	Natural	DIN 933
93T.140.0050.5AD	M14	50	8.8	22.0	Ti-G5	Aero	Natural	DIN 933
93T.140.0055.5AD	M14	55	8.8	22.0	Ti-G5	Aero	Natural	DIN 933
93T.140.0060.5AD	M14	60	8.8	22.0	Ti-G5	Aero	Natural	DIN 933
93T.140.0065.5AD	M14	65	8.8	22.0	Ti-G5	Aero	Natural	DIN 933
93T.140.0070.5AD	M14	70	8.8	22.0	Ti-G5	Aero	Natural	DIN 933
93T.140.0080.5AD	M14	80	8.8	22.0	Ti-G5	Aero	Natural	DIN 933
93T.140.0090.5AD	M14	90	8.8	22.0	Ti-G5	Aero	Natural	DIN 933
93T.140.0100.5AD	M14	100	8.8	22.0	Ti-G5	Aero	Natural	DIN 933
93T.140.0110.5AD	M14	110	8.8	22.0	Ti-G5	Aero	Natural	DIN 933
93T.140.0130.5AD	M14	130	8.8	22.0	Ti-G5	Aero	Natural	DIN 933
93T.140.0140.5AD	M14	120	8.8	22.0	Ti-G5	Aero	Natural	DIN 933
93T.140.0150.5AD	M14	150	8.8	22.0	Ti-G5	Aero	Natural	DIN 933
93T.160.0020.5AD	M16	20	10.0	24.0	Ti-G5	Aero	Natural	DIN 933
93T.160.0025.5AD	M16	25	10.0	24.0	Ti-G5	Aero	Natural	DIN 933
93T.160.0030.5AD	M16	30	10.0	24.0	Ti-G5	Aero	Natural	DIN 933
93T.160.0035.5AD	M16	35	10.0	24.0	Ti-G5	Aero	Natural	DIN 933
93T.160.0040.5AD	M16	40	10.0	24.0	Ti-G5	Aero	Natural	DIN 933
93T.160.0045.5AD	M16	45	10.0	24.0	Ti-G5	Aero	Natural	DIN 933
93T.160.0050.5AD	M16	50	10.0	24.0	Ti-G5	Aero	Natural	DIN 933
93T.160.0055.5AD	M16	55	10.0	24.0	Ti-G5	Aero	Natural	DIN 933
93T.160.0060.5AD	M16	60	10.0	24.0	Ti-G5	Aero	Natural	DIN 933
93T.160.0065.5AD	M16	65	10.0	24.0	Ti-G5	Aero	Natural	DIN 933
93T.160.0070.5AD	M16	70	10.0	24.0	Ti-G5	Aero	Natural	DIN 933
93T.160.0080.5AD	M16	80	10.0	24.0	Ti-G5	Aero	Natural	DIN 933
93T.160.0090.5AD	M16	90	10.0	24.0	Ti-G5	Aero	Natural	DIN 933
93T.160.0100.5AD	M16	100	10.0	24.0	Ti-G5	Aero	Natural	DIN 933

TITANIUM

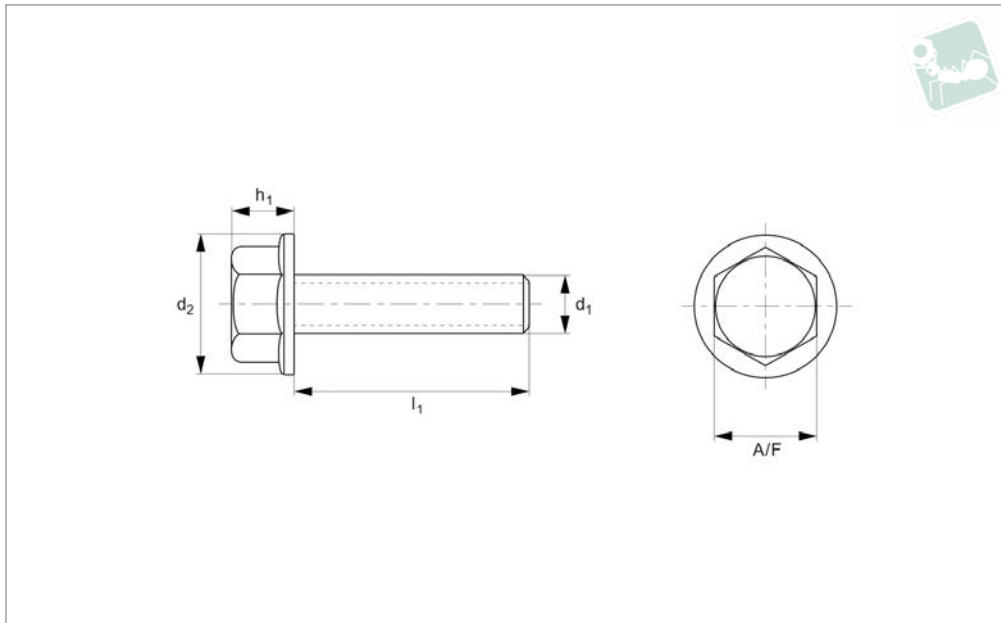


Order No.	d ₁	l ₁	h ₁	A/F	Material	Grade	Finish	To standard
93T.160.0110.5AD	M16	110	10.0	24.0	Ti-G5	Aero	Natural	DIN 933
93T.160.0120.5AD	M16	120	10.0	24.0	Ti-G5	Aero	Natural	DIN 933
93T.160.0130.5AD	M16	130	10.0	24.0	Ti-G5	Aero	Natural	DIN 933
93T.160.0140.5AD	M16	140	10.0	24.0	Ti-G5	Aero	Natural	DIN 933
93T.160.0150.5AD	M16	150	10.0	24.0	Ti-G5	Aero	Natural	DIN 933
93T.200.0020.5AD	M20	20	12.5	30.0	Ti-G5	Aero	Natural	DIN 933
93T.200.0025.5AD	M20	25	12.5	30.0	Ti-G5	Aero	Natural	DIN 933
93T.200.0030.5AD	M20	30	12.5	30.0	Ti-G5	Aero	Natural	DIN 933
93T.200.0035.5AD	M20	35	12.5	30.0	Ti-G5	Aero	Natural	DIN 933
93T.200.0040.5AD	M20	40	12.5	30.0	Ti-G5	Aero	Natural	DIN 933
93T.200.0045.5AD	M20	45	12.5	30.0	Ti-G5	Aero	Natural	DIN 933
93T.200.0050.5AD	M20	50	12.5	30.0	Ti-G5	Aero	Natural	DIN 933
93T.200.0055.5AD	M20	55	12.5	30.0	Ti-G5	Aero	Natural	DIN 933
93T.200.0060.5AD	M20	60	12.5	30.0	Ti-G5	Aero	Natural	DIN 933
93T.200.0065.5AD	M20	65	12.5	30.0	Ti-G5	Aero	Natural	DIN 933
93T.200.0070.5AD	M20	70	12.5	30.0	Ti-G5	Aero	Natural	DIN 933
93T.200.0080.5AD	M20	80	12.5	30.0	Ti-G5	Aero	Natural	DIN 933
93T.200.0090.5AD	M20	90	12.5	30.0	Ti-G5	Aero	Natural	DIN 933
93T.200.0100.5AD	M20	100	12.5	30.0	Ti-G5	Aero	Natural	DIN 933
93T.200.0110.5AD	M20	110	12.5	30.0	Ti-G5	Aero	Natural	DIN 933
93T.200.0120.5AD	M20	120	12.5	30.0	Ti-G5	Aero	Natural	DIN 933
93T.200.0130.5AD	M20	130	12.5	30.0	Ti-G5	Aero	Natural	DIN 933
93T.200.0140.5AD	M20	140	12.5	30.0	Ti-G5	Aero	Natural	DIN 933
93T.200.0150.5AD	M20	150	12.5	30.0	Ti-G5	Aero	Natural	DIN 933

Hexagon Flange Bolts

DIN 6921, titanium 5

Titanium



T0022.T5

TITANIUM

Material

Titanium 5 (6AL-4V).

Order No.	Thread	l_1	h_1	d_2	h_2	A/F
T0022.050-010	M 5	10.0	5.0	10	1.5	8.0
T0022.050-015	M 5	15.0	5.0	10	1.5	8.0
T0022.050-020	M 5	20.0	5.0	10	1.5	8.0
T0022.050-025	M 5	25.0	5.0	10	1.5	8.0
T0022.050-030	M 5	30.0	5.0	10	1.5	8.0
T0022.050-035	M 5	35.0	5.0	10	1.5	8.0
T0022.050-040	M 5	40.0	5.0	10	1.5	8.0
T0022.050-045	M 5	45.0	5.0	10	1.5	8.0
T0022.050-050	M 5	50.0	5.0	10	1.5	8.0
T0022.050-055	M 5	55.0	5.0	10	1.5	8.0
T0022.050-060	M 5	60.0	5.0	10	1.5	8.0
T0022.060-010	M 6	10.0	5.5	11	1.5	8.0
T0022.060-015	M 6	15.0	5.5	11	1.5	8.0
T0022.060-020	M 6	20.0	5.5	11	1.5	8.0
T0022.060-025	M 6	25.0	5.5	11	1.5	8.0
T0022.060-030	M 6	30.0	5.5	11	1.5	8.0
T0022.060-035	M 6	35.0	5.5	11	1.5	8.0
T0022.060-040	M 6	40.0	5.5	11	1.5	8.0
T0022.060-045	M 6	45.0	5.5	11	1.5	8.0
T0022.060-050	M 6	50.0	5.5	11	1.5	8.0
T0022.060-055	M 6	55.0	5.5	11	1.5	8.0
T0022.060-060	M 6	60.0	5.5	11	1.5	8.0
T0022.060-065	M 6	65.0	5.5	11	1.5	8.0
T0022.060-070	M 6	70.0	5.5	11	1.5	8.0
T0022.060-080	M 6	80.0	5.5	11	1.5	8.0
T0022.060-090	M 6	90.0	5.5	11	1.5	8.0
T0022.060-100	M 6	100.0	5.5	11	1.5	8.0
T0022.060-110	M 6	110.0	5.5	11	1.5	8.0
T0022.080-015	M 8	15.0	7.5	17	2.0	12.0
T0022.080-020	M 8	20.0	7.5	17	2.0	12.0
T0022.080-025	M 8	25.0	7.5	17	2.0	12.0
T0022.080-030	M 8	30.0	7.5	17	2.0	12.0
T0022.080-035	M 8	35.0	7.5	17	2.0	12.0
T0022.080-040	M 8	40.0	7.5	17	2.0	12.0
T0022.080-045	M 8	45.0	7.5	17	2.0	12.0



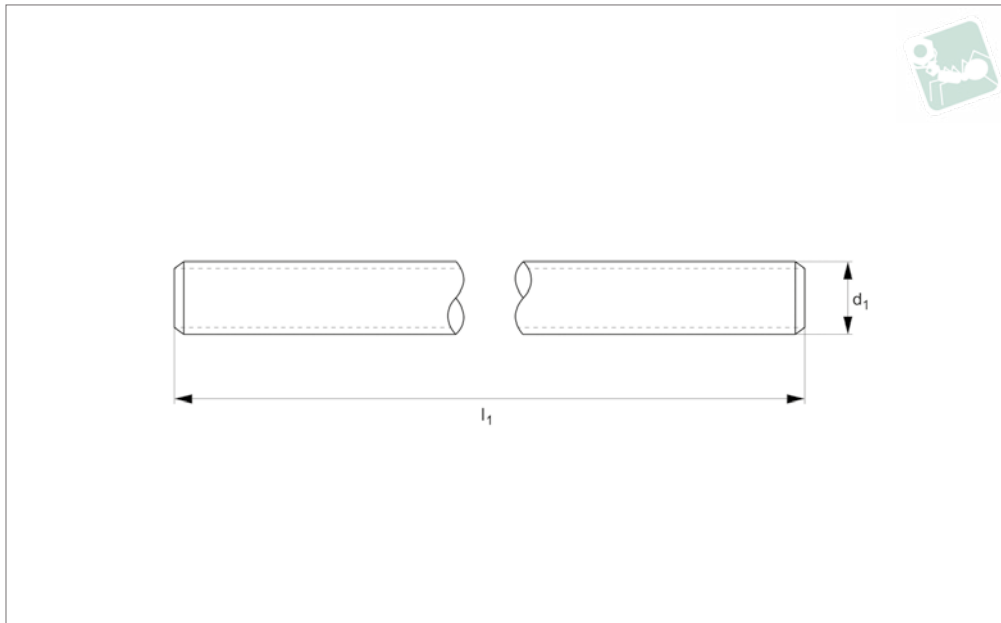
Order No.	Thread	l ₁	h ₁	d ₂	h ₂	A/F
T0022.080-050	M 8	50.0	7.5	17	2.0	12.0
T0022.080-055	M 8	55.0	7.5	17	2.0	12.0
T0022.080-060	M 8	60.0	7.5	17	2.0	12.0
T0022.080-065	M 8	65.0	7.5	17	2.0	12.0
T0022.080-070	M 8	70.0	7.5	17	2.0	12.0
T0022.080-080	M 8	80.0	7.5	17	2.0	12.0
T0022.080-090	M 8	90.0	7.5	17	2.0	12.0
T0022.100-020	M10x1,25	20.0	8.5	20	2.0	14.0
T0022.100-021	M10	20.0	8.5	20	2.0	14.0
T0022.100-025	M10x1,25	25.0	8.5	20	2.0	14.0
T0022.100-026	M10	25.0	8.5	20	2.0	14.0
T0022.100-030	M10x1,25	30.0	8.5	20	2.0	14.0
T0022.100-031	M10	30.0	8.5	20	2.0	14.0
T0022.100-035	M10x1,25	35.0	8.5	20	2.0	14.0
T0022.100-036	M10	35.0	8.5	20	2.0	14.0
T0022.100-040	M10x1,25	40.0	8.5	20	2.0	14.0
T0022.100-041	M10	40.0	8.5	20	2.0	14.0
T0022.100-045	M10x1,25	45.0	8.5	20	2.0	14.0
T0022.100-046	M10	45.0	8.5	20	2.0	14.0
T0022.100-050	M10x1,25	50.0	8.5	20	2.0	14.0
T0022.100-051	M10	50.0	8.5	20	2.0	14.0
T0022.100-055	M10x1,25	55.0	8.5	20	2.0	14.0
T0022.100-056	M10	55.0	8.5	20	2.0	14.0
T0022.100-060	M10	60.0	8.5	20	2.0	14.0
T0022.100-070	M10	70.0	8.5	20	2.0	14.0
T0022.100-071	M10	70.0	8.5	20	2.0	14.0
T0022.100-080	M10	80.0	8.5	20	2.0	14.0
T0022.100-081	M10	80.0	8.5	20	2.0	14.0
T0022.100-090	M10	90.0	8.5	20	2.0	14.0
T0022.100-091	M10	90.0	8.5	20	2.0	14.0
T0022.100-100	M10	100.0	8.5	20	2.0	14.0
T0022.100-101	M10	100.0	8.5	20	2.0	14.0
T0022.120-020	M12	20.0	11.5	-	-	-
T0022.120-025	M12	25.0	11.5	-	-	-
T0022.120-030	M12	30.0	11.5	-	-	-
T0022.120-035	M12	35.0	11.5	-	-	-
T0022.120-040	M12	40.0	11.5	-	-	-
T0022.120-045	M12	45.0	11.5	-	-	-
T0022.120-050	M12	50.0	11.5	-	-	-
T0022.120-055	M12	55.0	11.5	-	-	-
T0022.120-060	M12	60.0	11.5	-	-	-
T0022.120-065	M12	65.0	11.5	-	-	-
T0022.120-070	M12	70.0	11.5	-	-	-
T0022.120-080	M12	80.0	11.5	-	-	-
T0022.120-090	M12	90.0	11.5	-	-	-
T0022.120-100	M12	100.0	11.5	-	-	-
T0022.160-020	M16	20.0	-	-	-	-
T0022.160-025	M16	25.0	-	-	-	-
T0022.160-030	M16	30.0	-	-	-	-
T0022.160-035	M16	35.0	-	-	-	-
T0022.160-040	M16	40.0	-	-	-	-
T0022.160-045	M16	45.0	-	-	-	-
T0022.160-050	M16	50.0	-	-	-	-
T0022.160-055	M16	55.0	-	-	-	-
T0022.160-060	M16	60.0	-	-	-	-
T0022.160-065	M16	65.0	-	-	-	-
T0022.160-070	M16	70.0	-	-	-	-
T0022.160-080	M16	80.0	-	-	-	-
T0022.160-090	M16	90.0	-	-	-	-
T0022.160-100	M16	100.0	-	-	-	-



Threaded Rods

Threaded Rods, DIN 975, Titanium G2

Titanium



T0491.T2

TITANIUM

Material
Titanium G2.

Technical Notes
To DIN 975.

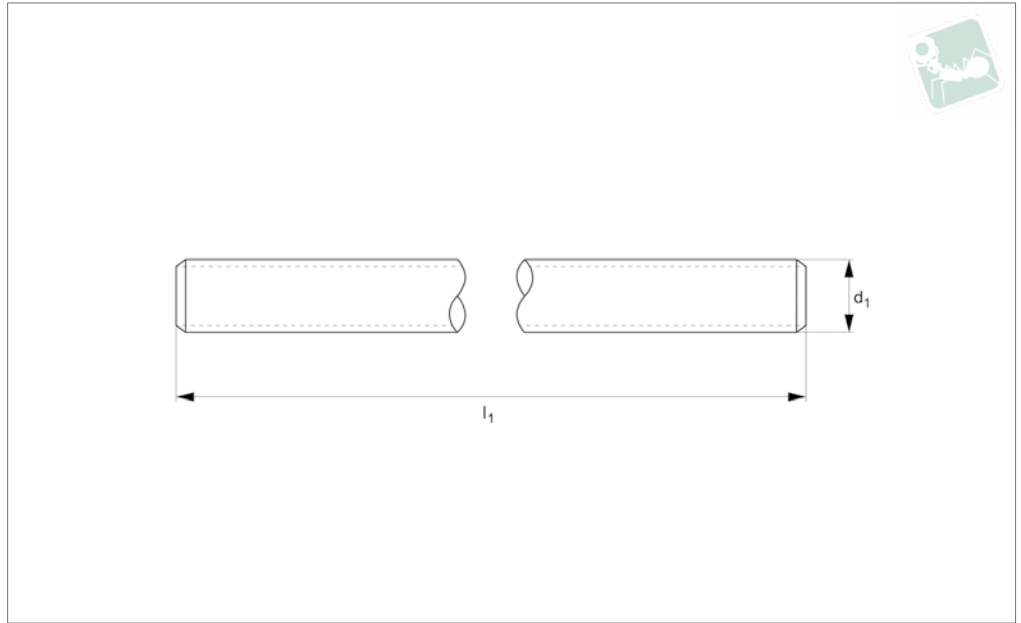
Order No.	Thread	l_1
T0491.040-1000-T2	M 4	1000.0
T0491.050-1000-T2	M 5	1000.0
T0491.060-1000-T2	M 6	1000.0
T0491.080-1000-T2	M 8	1000.0
T0491.100-125-1000-T2	M10x1,25	1000.0
T0491.100-1000-T2	M10	1000.0
T0491.120-1000-T2	M12	1000.0
T0491.160-1000-T2	M16	1000.0



TITANIUM



T0491.T5



Material
Titanium 5 (6AL-4V).

Technical Notes
To DIN 975.

Order No.	Thread	l_1
T0491.040-1000-T5	M 4	1000.0
T0491.050-1000-T5	M 5	1000.0
T0491.060-1000-T5	M 6	1000.0
T0491.080-1000-T5	M 8	1000.0
T0491.100-125-1000-T5	M10x1,25	1000.0
T0491.100-1000-T5	M10	1000.0
T0491.120-1000-T5	M12	1000.0
T0491.160-1000-T5	M16	1000.0