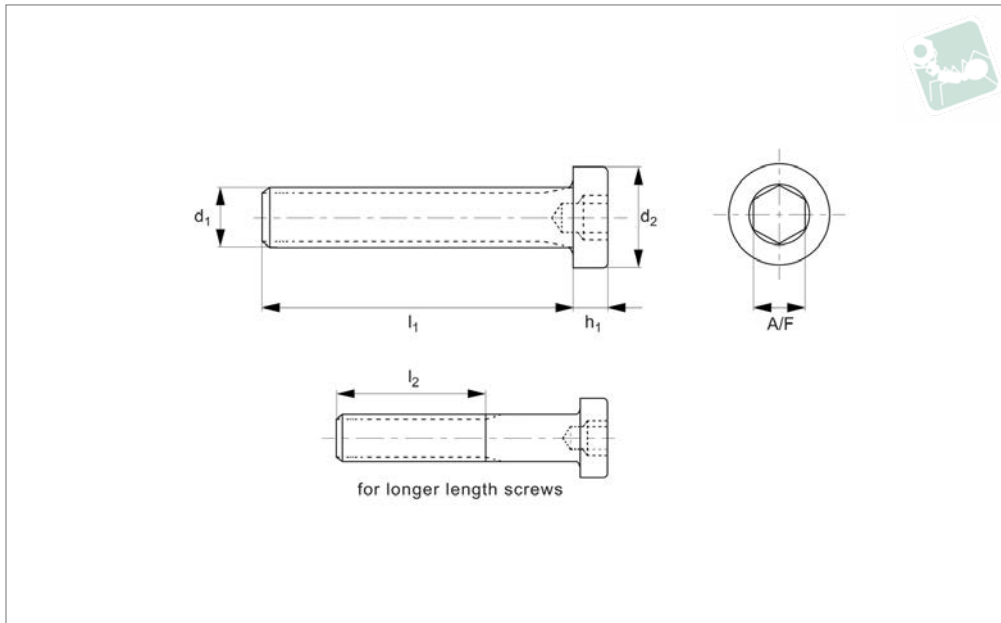




# Thin Cylindrical Head Cap Screws

DIN 6912, Titanium G2

Titanium



**T0004.T2**

TITANIUM

**Material**  
Titanium G2.

**Technical Notes**  
To DIN 6912

Order No.	d <sub>1</sub>	l <sub>1</sub>	h	d <sub>2</sub>	l <sub>2</sub>	A/F
T0004.020-006-T2	M 2	6	1.8	3.8	-	1.5
T0004.020-008-T2	M 2	8	1.8	3.8	-	1.5
T0004.020-010-T2	M 2	10	1.8	3.8	-	1.5
T0004.020-015-T2	M 2	15	1.8	3.8	-	1.5
T0004.020-020-T2	M 2	20	1.8	3.8	-	1.5
T0004.020-025-T2	M 2	25	1.8	3.8	-	1.5
T0004.020-030-T2	M 2	30	1.8	3.8	-	1.5
T0004.020-035-T2	M 2	35	1.8	3.8	-	1.5
T0004.020-040-T2	M 2	40	1.8	3.8	-	1.5
T0004.025-006-T2	M2,5	6	1.8	3.8	-	1.5
T0004.025-008-T2	M2,5	8	1.8	3.8	-	1.5
T0004.025-010-T2	M2,5	10	1.8	3.8	-	1.5
T0004.025-015-T2	M2,5	15	1.8	3.8	-	1.5
T0004.025-020-T2	M2,5	20	1.8	3.8	-	1.5
T0004.025-025-T2	M2,5	25	1.8	3.8	-	1.5
T0004.025-030-T2	M2,5	30	1.8	3.8	-	1.5
T0004.025-035-T2	M2,5	35	1.8	3.8	-	1.5
T0004.025-040-T2	M2,5	40	1.8	3.8	-	1.5
T0004.030-010-T2	M 3	10	2.5	5.5	-	2.5
T0004.030-015-T2	M 3	15	2.5	5.5	12	2.5
T0004.030-020-T2	M 3	20	2.5	5.5	12	2.5
T0004.030-025-T2	M 3	25	2.5	5.5	12	2.5
T0004.030-030-T2	M 3	30	2.5	5.5	12	2.5
T0004.030-035-T2	M 3	35	2.5	5.5	12	2.5
T0004.030-040-T2	M 3	40	2.5	5.5	12	2.5
T0004.030-045-T2	M 3	45	2.5	5.5	12	2.5
T0004.030-050-T2	M 3	50	2.5	5.5	12	2.5
T0004.030-055-T2	M 3	55	2.5	5.5	12	2.5
T0004.030-060-T2	M 3	60	2.5	5.5	12	2.5
T0004.040-010-T2	M 4	10	2.8	7.0	-	3.0
T0004.040-015-T2	M 4	15	2.8	7.0	14	3.0
T0004.040-020-T2	M 4	20	2.8	7.0	14	3.0
T0004.040-025-T2	M 4	25	2.8	7.0	14	3.0
T0004.040-030-T2	M 4	30	2.8	7.0	14	3.0
T0004.040-035-T2	M 4	35	2.8	7.0	14	3.0



Order No.	d <sub>1</sub>	l <sub>1</sub>	h	d <sub>2</sub>	l <sub>2</sub>	A/F
T0004.040-040-T2	M 4	40	2.8	7.0	14	3.0
T0004.040-045-T2	M 4	45	2.8	7.0	14	3.0
T0004.040-050-T2	M 4	50	2.8	7.0	14	3.0
T0004.040-055-T2	M 4	55	2.8	7.0	14	3.0
T0004.040-060-T2	M 4	60	2.8	7.0	14	3.0
T0004.050-010-T2	M 5	10	3.5	8.5	-	4.0
T0004.050-015-T2	M 5	15	3.5	8.5	-	4.0
T0004.050-020-T2	M 5	20	3.5	8.5	16	4.0
T0004.050-025-T2	M 5	25	3.5	8.5	16	4.0
T0004.050-030-T2	M 5	30	3.5	8.5	16	4.0
T0004.050-035-T2	M 5	35	3.5	8.5	16	4.0
T0004.050-040-T2	M 5	40	3.5	8.5	16	4.0
T0004.050-045-T2	M 5	45	3.5	8.5	16	4.0
T0004.050-050-T2	M 5	50	3.5	8.5	16	4.0
T0004.050-055-T2	M 5	55	3.5	8.5	16	4.0
T0004.050-060-T2	M 5	60	3.5	8.5	16	4.0
T0004.060-006-T2	M 6	6	4.0	10.0	-	5.0
T0004.060-008-T2	M 6	8	4.0	10.0	-	5.0
T0004.060-010-T2	M 6	10	4.0	10.0	-	5.0
T0004.060-015-T2	M 6	15	4.0	10.0	-	5.0
T0004.060-016-T2	M 6	16	4.0	10.0	-	5.0
T0004.060-020-T2	M 6	20	4.0	10.0	18	5.0
T0004.060-025-T2	M 6	25	4.0	10.0	18	5.0
T0004.060-030-T2	M 6	30	4.0	10.0	18	5.0
T0004.060-035-T2	M 6	35	4.0	10.0	18	5.0
T0004.060-040-T2	M 6	40	4.0	10.0	18	5.0
T0004.060-045-T2	M 6	45	4.0	10.0	18	5.0
T0004.060-050-T2	M 6	50	4.0	10.0	18	5.0
T0004.060-055-T2	M 6	55	4.0	10.0	18	5.0
T0004.060-060-T2	M 6	60	4.0	10.0	18	5.0
T0004.060-065-T2	M 6	65	4.0	10.0	18	5.0
T0004.060-070-T2	M 6	70	4.0	10.0	18	5.0
T0004.060-075-T2	M 6	75	4.0	10.0	18	5.0
T0004.060-080-T2	M 6	80	4.0	10.0	18	5.0
T0004.060-085-T2	M 6	85	4.0	10.0	18	5.0
T0004.060-090-T2	M 6	90	4.0	10.0	18	5.0
T0004.060-095-T2	M 6	95	4.0	10.0	18	5.0
T0004.060-100-T2	M 6	100	4.0	10.0	18	5.0
T0004.060-110-T2	M 6	110	4.0	10.0	18	5.0
T0004.060-120-T2	M 6	120	4.0	10.0	18	5.0
T0004.060-130-T2	M 6	130	4.0	10.0	18	5.0
T0004.060-140-T2	M 6	140	4.0	10.0	18	5.0
T0004.060-150-T2	M 6	150	4.0	10.0	18	5.0
T0004.080-010-T2	M 8	10	5.0	13.0	22	6.0
T0004.080-015-T2	M 8	15	5.0	13.0	22	6.0
T0004.080-016-T2	M 8	16	5.0	13.0	22	6.0
T0004.080-020-T2	M 8	20	5.0	13.0	22	6.0
T0004.080-025-T2	M 8	25	5.0	13.0	22	6.0
T0004.080-030-T2	M 8	30	5.0	13.0	22	6.0
T0004.080-035-T2	M 8	35	5.0	13.0	22	6.0
T0004.080-040-T2	M 8	40	5.0	13.0	22	6.0
T0004.080-045-T2	M 8	45	5.0	13.0	22	6.0
T0004.080-050-T2	M 8	50	5.0	13.0	22	6.0
T0004.080-055-T2	M 8	55	5.0	13.0	22	6.0
T0004.080-060-T2	M 8	60	5.0	13.0	22	6.0
T0004.080-065-T2	M 8	65	5.0	13.0	22	6.0
T0004.080-070-T2	M 8	70	5.0	13.0	22	6.0
T0004.080-075-T2	M 8	75	5.0	13.0	22	6.0
T0004.080-080-T2	M 8	80	5.0	13.0	22	6.0
T0004.080-085-T2	M 8	85	5.0	13.0	22	6.0
T0004.080-090-T2	M 8	90	5.0	13.0	22	6.0
T0004.080-095-T2	M 8	95	5.0	13.0	22	6.0
T0004.080-100-T2	M 8	100	5.0	13.0	22	6.0
T0004.080-110-T2	M 8	110	5.0	13.0	22	6.0
T0004.080-120-T2	M 8	120	5.0	13.0	22	6.0
T0004.080-130-T2	M 8	130	5.0	13.0	-	6.0
T0004.080-140-T2	M 8	140	5.0	13.0	-	6.0
T0004.080-150-T2	M 8	150	5.0	13.0	-	6.0
T0004.100-015-T2	M10	15	6.5	16.0	26	8.0



# Thin Cylindrical Head Cap Screws

DIN 6912, Titanium G2

Titanium

Order No.	d <sub>1</sub>	l <sub>1</sub>	h	d <sub>2</sub>	l <sub>2</sub>	A/F
T0004.100-016-T2	M10	16	6.5	16.0	26	8.0
T0004.100-020-T2	M10	20	6.5	16.0	26	8.0
T0004.100-025-T2	M10	25	6.5	16.0	26	8.0
T0004.100-030-T2	M10	30	6.5	16.0	26	8.0
T0004.100-035-T2	M10	35	6.5	16.0	26	8.0
T0004.100-040-T2	M10	40	6.5	16.0	26	8.0
T0004.100-045-T2	M10	45	6.5	16.0	26	8.0
T0004.100-050-T2	M10	50	6.5	16.0	26	8.0
T0004.100-055-T2	M10	55	6.5	16.0	26	8.0
T0004.100-060-T2	M10	60	6.5	16.0	26	8.0
T0004.100-065-T2	M10	65	6.5	16.0	26	8.0
T0004.100-070-T2	M10	70	6.5	16.0	26	8.0
T0004.100-075-T2	M10	75	6.5	16.0	26	8.0
T0004.100-080-T2	M10	80	6.5	16.0	26	8.0
T0004.100-085-T2	M10	85	6.5	16.0	26	8.0
T0004.100-090-T2	M10	90	6.5	16.0	26	8.0
T0004.100-095-T2	M10	95	6.5	16.0	26	8.0
T0004.100-100-T2	M10	100	6.5	16.0	26	8.0
T0004.100-110-T2	M10	110	6.5	16.0	26	8.0
T0004.100-120-T2	M10	120	6.5	16.0	26	8.0
T0004.100-130-T2	M10	130	6.5	16.0	32	8.0
T0004.100-140-T2	M10	140	6.5	16.0	32	8.0
T0004.100-150-T2	M10	150	6.5	16.0	32	8.0
T0004.120-020-T2	M12	20	7.5	18.0	30	10.0
T0004.120-025-T2	M12	25	7.5	18.0	30	10.0
T0004.120-030-T2	M12	30	7.5	18.0	30	10.0
T0004.120-035-T2	M12	35	7.5	18.0	30	10.0
T0004.120-040-T2	M12	40	7.5	18.0	30	10.0
T0004.120-045-T2	M12	45	7.5	18.0	30	10.0
T0004.120-050-T2	M12	50	7.5	18.0	30	10.0
T0004.120-055-T2	M12	55	7.5	18.0	30	10.0
T0004.120-060-T2	M12	60	7.5	18.0	30	10.0
T0004.120-065-T2	M12	65	7.5	18.0	30	10.0
T0004.120-070-T2	M12	70	7.5	18.0	30	10.0
T0004.120-075-T2	M12	75	7.5	18.0	30	10.0
T0004.120-080-T2	M12	80	7.5	18.0	30	10.0
T0004.120-085-T2	M12	85	7.5	18.0	30	10.0
T0004.120-090-T2	M12	90	7.5	18.0	30	10.0
T0004.120-095-T2	M12	95	7.5	18.0	30	10.0
T0004.120-100-T2	M12	100	7.5	18.0	30	10.0
T0004.120-110-T2	M12	110	7.5	18.0	30	10.0
T0004.120-120-T2	M12	120	7.5	18.0	30	10.0
T0004.120-130-T2	M12	130	7.5	18.0	36	10.0
T0004.120-140-T2	M12	140	7.5	18.0	36	10.0
T0004.120-150-T2	M12	150	7.5	18.0	36	10.0
T0004.140-020-T2	M14	20	8.5	21.0	34	12.0
T0004.140-025-T2	M14	25	8.5	21.0	34	12.0
T0004.140-030-T2	M14	30	8.5	21.0	34	12.0
T0004.140-035-T2	M14	35	8.5	21.0	34	12.0
T0004.140-040-T2	M14	40	8.5	21.0	34	12.0
T0004.140-045-T2	M14	45	8.5	21.0	34	12.0
T0004.140-050-T2	M14	50	8.5	21.0	34	12.0
T0004.140-055-T2	M14	55	8.5	21.0	34	12.0
T0004.140-060-T2	M14	60	8.5	21.0	34	12.0
T0004.140-065-T2	M14	65	8.5	21.0	34	12.0
T0004.140-070-T2	M14	70	8.5	21.0	34	12.0
T0004.140-075-T2	M14	75	8.5	21.0	34	12.0
T0004.140-080-T2	M14	80	8.5	21.0	34	12.0
T0004.140-085-T2	M14	85	8.5	21.0	34	12.0
T0004.140-090-T2	M14	90	8.5	21.0	34	12.0
T0004.140-095-T2	M14	95	8.5	21.0	34	12.0
T0004.140-100-T2	M14	100	8.5	21.0	34	12.0
T0004.140-110-T2	M14	110	8.5	21.0	34	12.0
T0004.140-120-T2	M14	120	8.5	21.0	34	12.0
T0004.140-130-T2	M14	130	8.5	21.0	40	12.0
T0004.140-140-T2	M14	140	8.5	21.0	40	12.0
T0004.140-150-T2	M14	150	8.5	21.0	40	12.0
T0004.160-020-T2	M16	20	10.0	24.0	38	14.0
T0004.160-025-T2	M16	25	10.0	24.0	38	14.0

TITANIUM



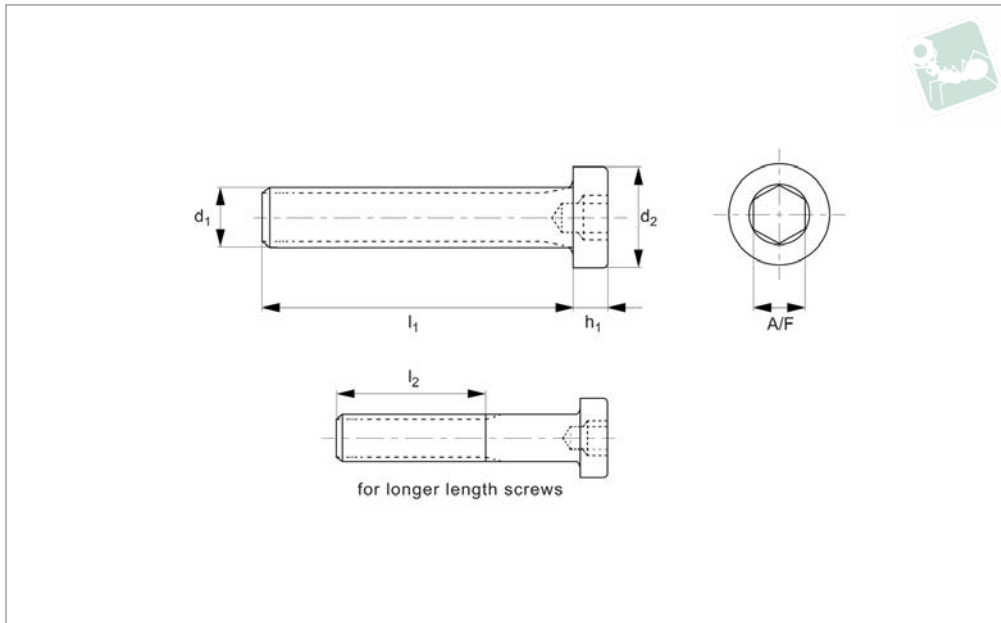
Order No.	d <sub>1</sub>	l <sub>1</sub>	h	d <sub>2</sub>	l <sub>2</sub>	A/F
T0004.160-030-T2	M16	30	10.0	24.0	38	14.0
T0004.160-035-T2	M16	35	10.0	24.0	38	14.0
T0004.160-040-T2	M16	40	10.0	24.0	38	14.0
T0004.160-045-T2	M16	45	10.0	24.0	38	14.0
T0004.160-050-T2	M16	50	10.0	24.0	38	14.0
T0004.160-055-T2	M16	55	10.0	24.0	38	14.0
T0004.160-060-T2	M16	60	10.0	24.0	38	14.0
T0004.160-065-T2	M16	65	10.0	24.0	38	14.0
T0004.160-070-T2	M16	70	10.0	24.0	38	14.0
T0004.160-075-T2	M16	75	10.0	24.0	38	14.0
T0004.160-080-T2	M16	80	10.0	24.0	38	14.0
T0004.160-085-T2	M16	85	10.0	24.0	38	14.0
T0004.160-090-T2	M16	90	10.0	24.0	38	14.0
T0004.160-095-T2	M16	95	10.0	24.0	38	14.0
T0004.160-100-T2	M16	100	10.0	24.0	38	14.0
T0004.160-110-T2	M16	110	10.0	24.0	38	14.0
T0004.160-120-T2	M16	120	10.0	24.0	38	14.0
T0004.160-130-T2	M16	130	10.0	24.0	44	14.0
T0004.160-140-T2	M16	140	10.0	24.0	44	14.0
T0004.160-160-T2	M16	160	10.0	24.0	44	14.0
T0004.200-020-T2	M20	20	12.0	30.0	46	17.0
T0004.200-025-T2	M20	25	12.0	30.0	46	17.0
T0004.200-030-T2	M20	30	12.0	30.0	46	17.0
T0004.200-035-T2	M20	35	12.0	30.0	46	17.0
T0004.200-040-T2	M20	40	12.0	30.0	46	17.0
T0004.200-045-T2	M20	45	12.0	30.0	46	17.0
T0004.200-050-T2	M20	50	12.0	30.0	46	17.0
T0004.200-055-T2	M20	55	12.0	30.0	46	17.0
T0004.200-060-T2	M20	60	12.0	30.0	46	17.0
T0004.200-065-T2	M20	65	12.0	30.0	46	17.0
T0004.200-070-T2	M20	70	12.0	30.0	46	17.0
T0004.200-075-T2	M20	75	12.0	30.0	46	17.0
T0004.200-080-T2	M20	80	12.0	30.0	46	17.0
T0004.200-085-T2	M20	85	12.0	30.0	46	17.0
T0004.200-090-T2	M20	90	12.0	30.0	46	17.0
T0004.200-095-T2	M20	95	12.0	30.0	46	17.0
T0004.200-100-T2	M20	100	12.0	30.0	46	17.0
T0004.200-110-T2	M20	110	12.0	30.0	46	17.0
T0004.200-120-T2	M20	120	12.0	30.0	46	17.0
T0004.200-130-T2	M20	130	12.0	30.0	52	17.0
T0004.200-140-T2	M20	140	12.0	30.0	52	17.0
T0004.200-200-T2	M20	200	12.0	30.0	52	17.0



# Thin Cylindrical Head Cap Screws

DIN 6912, Titanium 5

Titanium



**T0004.T5**

TITANIUM

**Material**

Titanium 5 (6AL-4V).

**Technical Notes**

To DIN 6912

Order No.	d <sub>1</sub>	l <sub>1</sub>	d <sub>2</sub>	h <sub>1</sub>	l <sub>2</sub>	A/F
T0004.020-006-T5	M 2	6	3.8	1.8	-	1.5
T0004.020-008-T5	M 2	8	3.8	1.8	-	1.5
T0004.020-010-T5	M 2	10	3.8	1.8	-	1.5
T0004.020-015-T5	M 2	15	3.8	1.8	-	1.5
T0004.020-020-T5	M 2	20	3.8	1.8	-	1.5
T0004.020-025-T5	M 2	25	3.8	1.8	-	1.5
T0004.020-030-T5	M 2	30	3.8	1.8	-	1.5
T0004.020-035-T5	M 2	35	3.8	1.8	-	1.5
T0004.020-040-T5	M 2	40	3.8	1.8	-	1.5
T0004.025-006-T5	M2,5	6	3.8	1.8	-	1.5
T0004.025-008-T5	M2,5	8	3.8	1.8	-	1.5
T0004.025-010-T5	M2,5	10	3.8	1.8	-	1.5
T0004.025-015-T5	M2,5	15	3.8	1.8	-	1.5
T0004.025-020-T5	M2,5	20	3.8	1.8	-	1.5
T0004.025-025-T5	M2,5	25	3.8	1.8	-	1.5
T0004.025-030-T5	M2,5	30	3.8	1.8	-	1.5
T0004.025-035-T5	M2,5	35	3.8	1.8	-	1.5
T0004.025-040-T5	M2,5	40	3.8	1.8	-	1.5
T0004.030-010-T5	M 3	10	5.5	2.5	-	2.5
T0004.030-015-T5	M 3	15	5.5	2.5	12	2.5
T0004.030-020-T5	M 3	20	5.5	2.5	12	2.5
T0004.030-025-T5	M 3	25	5.5	2.5	12	2.5
T0004.030-030-T5	M 3	30	5.5	2.5	12	2.5
T0004.030-035-T5	M 3	35	5.5	2.5	12	2.5
T0004.030-040-T5	M 3	40	5.5	2.5	12	2.5
T0004.030-045-T5	M 3	45	5.5	2.5	12	2.5
T0004.030-050-T5	M 3	50	5.5	2.5	12	2.5
T0004.030-055-T5	M 3	55	5.5	2.5	12	2.5
T0004.030-060-T5	M 3	60	5.5	2.5	12	2.5
T0004.040-010-T5	M 4	10	7.0	2.8	-	3.0
T0004.040-015-T5	M 4	15	7.0	2.8	14	3.0
T0004.040-020-T5	M 4	20	7.0	2.8	14	3.0
T0004.040-025-T5	M 4	25	7.0	2.8	14	3.0
T0004.040-030-T5	M 4	30	7.0	2.8	14	3.0
T0004.040-035-T5	M 4	35	7.0	2.8	14	3.0



Order No.	d <sub>1</sub>	l <sub>1</sub>	d <sub>2</sub>	h <sub>1</sub>	l <sub>2</sub>	A/F
T0004.040-040-T5	M 4	40	7.0	2.8	14	3.0
T0004.040-045-T5	M 4	45	7.0	2.8	14	3.0
T0004.040-050-T5	M 4	50	7.0	2.8	14	3.0
T0004.040-055-T5	M 4	55	7.0	2.8	14	3.0
T0004.040-060-T5	M 4	60	7.0	2.8	14	3.0
T0004.050-010-T5	M 5	10	8.5	3.5	-	4.0
T0004.050-015-T5	M 5	15	8.5	3.5	-	4.0
T0004.050-020-T5	M 5	20	8.5	3.5	16	4.0
T0004.050-025-T5	M 5	25	8.5	3.5	16	4.0
T0004.050-030-T5	M 5	30	8.5	3.5	16	4.0
T0004.050-035-T5	M 5	35	8.5	3.5	16	4.0
T0004.050-040-T5	M 5	40	8.5	3.5	16	4.0
T0004.050-045-T5	M 5	45	8.5	3.5	16	4.0
T0004.050-050-T5	M 5	50	8.5	3.5	16	4.0
T0004.050-055-T5	M 5	55	8.5	3.5	16	4.0
T0004.050-060-T5	M 5	60	8.5	3.5	16	4.0
T0004.060-006-T5	M 6	6	10.0	4.0	-	5.0
T0004.060-008-T5	M 6	8	10.0	4.0	-	5.0
T0004.060-010-T5	M 6	10	10.0	4.0	-	5.0
T0004.060-015-T5	M 6	15	10.0	4.0	-	5.0
T0004.060-016-T5	M 6	16	10.0	4.0	-	5.0
T0004.060-020-T5	M 6	20	10.0	4.0	18	5.0
T0004.060-025-T5	M 6	25	10.0	4.0	18	5.0
T0004.060-030-T5	M 6	30	10.0	4.0	18	5.0
T0004.060-035-T5	M 6	35	10.0	4.0	18	5.0
T0004.060-040-T5	M 6	40	10.0	4.0	18	5.0
T0004.060-045-T5	M 6	45	10.0	4.0	18	5.0
T0004.060-050-T5	M 6	50	10.0	4.0	18	5.0
T0004.060-055-T5	M 6	55	10.0	4.0	18	5.0
T0004.060-060-T5	M 6	60	10.0	4.0	18	5.0
T0004.060-065-T5	M 6	65	10.0	4.0	18	5.0
T0004.060-070-T5	M 6	70	10.0	4.0	18	5.0
T0004.060-075-T5	M 6	75	10.0	4.0	18	5.0
T0004.060-080-T5	M 6	80	10.0	4.0	18	5.0
T0004.060-085-T5	M 6	85	10.0	4.0	18	5.0
T0004.060-090-T5	M 6	90	10.0	4.0	18	5.0
T0004.060-095-T5	M 6	95	10.0	4.0	18	5.0
T0004.060-100-T5	M 6	100	10.0	4.0	18	5.0
T0004.060-110-T5	M 6	110	10.0	4.0	18	5.0
T0004.060-120-T5	M 6	120	10.0	4.0	18	5.0
T0004.060-130-T5	M 6	130	10.0	4.0	18	5.0
T0004.060-140-T5	M 6	140	10.0	4.0	18	5.0
T0004.060-150-T5	M 6	150	10.0	4.0	18	5.0
T0004.080-010-T5	M 8	10	13.0	5.0	22	6.0
T0004.080-015-T5	M 8	15	13.0	5.0	22	6.0
T0004.080-016-T5	M 8	16	13.0	5.0	22	6.0
T0004.080-020-T5	M 8	20	13.0	5.0	22	6.0
T0004.080-025-T5	M 8	25	13.0	5.0	22	6.0
T0004.080-030-T5	M 8	30	13.0	5.0	22	6.0
T0004.080-035-T5	M 8	35	13.0	5.0	22	6.0
T0004.080-040-T5	M 8	40	13.0	5.0	22	6.0
T0004.080-045-T5	M 8	45	13.0	5.0	22	6.0
T0004.080-050-T5	M 8	50	13.0	5.0	22	6.0
T0004.080-055-T5	M 8	55	13.0	5.0	22	6.0
T0004.080-060-T5	M 8	60	13.0	5.0	22	6.0
T0004.080-065-T5	M 8	65	13.0	5.0	22	6.0
T0004.080-070-T5	M 8	70	13.0	5.0	22	6.0
T0004.080-075-T5	M 8	75	13.0	5.0	22	6.0
T0004.080-080-T5	M 8	80	13.0	5.0	22	6.0
T0004.080-085-T5	M 8	85	13.0	5.0	22	6.0
T0004.080-090-T5	M 8	90	13.0	5.0	22	6.0
T0004.080-095-T5	M 8	95	13.0	5.0	22	6.0
T0004.080-100-T5	M 8	100	13.0	5.0	22	6.0
T0004.080-110-T5	M 8	110	13.0	5.0	22	6.0
T0004.080-120-T5	M 8	120	13.0	5.0	22	6.0
T0004.080-130-T5	M 8	130	13.0	5.0	-	6.0
T0004.080-140-T5	M 8	140	13.0	5.0	-	6.0
T0004.080-150-T5	M 8	150	13.0	5.0	-	6.0
T0004.100-015-T5	M10	15	16.0	6.5	26	8.0



# Thin Cylindrical Head Cap Screws

DIN 6912, Titanium 5

Titanium

Order No.	d <sub>1</sub>	l <sub>1</sub>	d <sub>2</sub>	h <sub>1</sub>	l <sub>2</sub>	A/F
T0004.100-016-T5	M10	16	16.0	6.5	26	8.0
T0004.100-020-T5	M10	20	16.0	6.5	26	8.0
T0004.100-025-T5	M10	25	16.0	6.5	26	8.0
T0004.100-030-T5	M10	30	16.0	6.5	26	8.0
T0004.100-035-T5	M10	35	16.0	6.5	26	8.0
T0004.100-040-T5	M10	40	16.0	6.5	26	8.0
T0004.100-045-T5	M10	45	16.0	6.5	26	8.0
T0004.100-050-T5	M10	50	16.0	6.5	26	8.0
T0004.100-055-T5	M10	55	16.0	6.5	26	8.0
T0004.100-060-T5	M10	60	16.0	6.5	26	8.0
T0004.100-065-T5	M10	65	16.0	6.5	26	8.0
T0004.100-070-T5	M10	70	16.0	6.5	26	8.0
T0004.100-075-T5	M10	75	16.0	6.5	26	8.0
T0004.100-080-T5	M10	80	16.0	6.5	26	8.0
T0004.100-085-T5	M10	85	16.0	6.5	26	8.0
T0004.100-090-T5	M10	90	16.0	6.5	26	8.0
T0004.100-095-T5	M10	95	16.0	6.5	26	8.0
T0004.100-100-T5	M10	100	16.0	6.5	26	8.0
T0004.100-110-T5	M10	110	16.0	6.5	26	8.0
T0004.100-120-T5	M10	120	16.0	6.5	26	8.0
T0004.100-130-T5	M10	130	16.0	6.5	32	8.0
T0004.100-140-T5	M10	140	16.0	6.5	32	8.0
T0004.100-150-T5	M10	150	16.0	6.5	32	8.0
T0004.120-020-T5	M12	20	18.0	7.5	30	10.0
T0004.120-025-T5	M12	25	18.0	7.5	30	10.0
T0004.120-030-T5	M12	30	18.0	7.5	30	10.0
T0004.120-035-T5	M12	35	18.0	7.5	30	10.0
T0004.120-040-T5	M12	40	18.0	7.5	30	10.0
T0004.120-045-T5	M12	45	18.0	7.5	30	10.0
T0004.120-050-T5	M12	50	18.0	7.5	30	10.0
T0004.120-055-T5	M12	55	18.0	7.5	30	10.0
T0004.120-060-T5	M12	60	18.0	7.5	30	10.0
T0004.120-065-T5	M12	65	18.0	7.5	30	10.0
T0004.120-070-T5	M12	70	18.0	7.5	30	10.0
T0004.120-075-T5	M12	75	18.0	7.5	30	10.0
T0004.120-080-T5	M12	80	18.0	7.5	30	10.0
T0004.120-085-T5	M12	85	18.0	7.5	30	10.0
T0004.120-090-T5	M12	90	18.0	7.5	30	10.0
T0004.120-095-T5	M12	95	18.0	7.5	30	10.0
T0004.120-100-T5	M12	100	18.0	7.5	30	10.0
T0004.120-110-T5	M12	110	18.0	7.5	30	10.0
T0004.120-120-T5	M12	120	18.0	7.5	30	10.0
T0004.120-130-T5	M12	130	18.0	7.5	36	10.0
T0004.120-140-T5	M12	140	18.0	7.5	36	10.0
T0004.120-150-T5	M12	150	18.0	7.5	36	10.0
T0004.140-020-T5	M14	20	21.0	8.5	34	12.0
T0004.140-025-T5	M14	25	21.0	8.5	34	12.0
T0004.140-030-T5	M14	30	21.0	8.5	34	12.0
T0004.140-035-T5	M14	35	21.0	8.5	34	12.0
T0004.140-040-T5	M14	40	21.0	8.5	34	12.0
T0004.140-045-T5	M14	45	21.0	8.5	34	12.0
T0004.140-050-T5	M14	50	21.0	8.5	34	12.0
T0004.140-055-T5	M14	55	21.0	8.5	34	12.0
T0004.140-060-T5	M14	60	21.0	8.5	34	12.0
T0004.140-065-T5	M14	65	21.0	8.5	34	12.0
T0004.140-070-T5	M14	70	21.0	8.5	34	12.0
T0004.140-075-T5	M14	75	21.0	8.5	34	12.0
T0004.140-080-T5	M14	80	21.0	8.5	34	12.0
T0004.140-085-T5	M14	85	21.0	8.5	34	12.0
T0004.140-090-T5	M14	90	21.0	8.5	34	12.0
T0004.140-095-T5	M14	95	21.0	8.5	34	12.0
T0004.140-100-T5	M14	100	21.0	8.5	34	12.0
T0004.140-110-T5	M14	110	21.0	8.5	34	12.0
T0004.140-120-T5	M14	120	21.0	8.5	34	12.0
T0004.140-130-T5	M14	130	21.0	8.5	40	12.0
T0004.140-140-T5	M14	140	21.0	8.5	40	12.0
T0004.140-150-T5	M14	150	21.0	8.5	40	12.0
T0004.160-020-T5	M16	20	24.0	10.0	38	14.0
T0004.160-025-T5	M16	25	24.0	10.0	38	14.0

TITANIUM



Order No.	d <sub>1</sub>	l <sub>1</sub>	d <sub>2</sub>	h <sub>1</sub>	l <sub>2</sub>	A/F
T0004.160-030-T5	M16	30	24.0	10.0	38	14.0
T0004.160-035-T5	M16	35	24.0	10.0	38	14.0
T0004.160-040-T5	M16	40	24.0	10.0	38	14.0
T0004.160-045-T5	M16	45	24.0	10.0	38	14.0
T0004.160-050-T5	M16	50	24.0	10.0	38	14.0
T0004.160-055-T5	M16	55	24.0	10.0	38	14.0
T0004.160-060-T5	M16	60	24.0	10.0	38	14.0
T0004.160-065-T5	M16	65	24.0	10.0	38	14.0
T0004.160-070-T5	M16	70	24.0	10.0	38	14.0
T0004.160-075-T5	M16	75	24.0	10.0	38	14.0
T0004.160-080-T5	M16	80	24.0	10.0	38	14.0
T0004.160-085-T5	M16	85	24.0	10.0	38	14.0
T0004.160-090-T5	M16	90	24.0	10.0	38	14.0
T0004.160-095-T5	M16	95	24.0	10.0	38	14.0
T0004.160-100-T5	M16	100	24.0	10.0	38	14.0
T0004.160-110-T5	M16	110	24.0	10.0	38	14.0
T0004.160-120-T5	M16	120	24.0	10.0	38	14.0
T0004.160-130-T5	M16	130	24.0	10.0	44	14.0
T0004.160-140-T5	M16	140	24.0	10.0	44	14.0
T0004.160-160-T5	M16	160	24.0	10.0	44	14.0
T0004.200-020-T5	M20	20	30.0	12.0	46	17.0
T0004.200-025-T5	M20	25	30.0	12.0	46	17.0
T0004.200-030-T5	M20	30	30.0	12.0	46	17.0
T0004.200-035-T5	M20	35	30.0	12.0	46	17.0
T0004.200-040-T5	M20	40	30.0	12.0	46	17.0
T0004.200-045-T5	M20	45	30.0	12.0	46	17.0
T0004.200-050-T5	M20	50	30.0	12.0	46	17.0
T0004.200-055-T5	M20	55	30.0	12.0	46	17.0
T0004.200-060-T5	M20	60	30.0	12.0	46	17.0
T0004.200-065-T5	M20	65	30.0	12.0	46	17.0
T0004.200-070-T5	M20	70	30.0	12.0	46	17.0
T0004.200-075-T5	M20	75	30.0	12.0	46	17.0
T0004.200-080-T5	M20	80	30.0	12.0	46	17.0
T0004.200-085-T5	M20	85	30.0	12.0	46	17.0
T0004.200-090-T5	M20	90	30.0	12.0	46	17.0
T0004.200-095-T5	M20	95	30.0	12.0	46	17.0
T0004.200-100-T5	M20	100	30.0	12.0	46	17.0
T0004.200-110-T5	M20	110	30.0	12.0	46	17.0
T0004.200-120-T5	M20	120	30.0	12.0	46	17.0
T0004.200-130-T5	M20	130	30.0	12.0	52	17.0
T0004.200-140-T5	M20	140	30.0	12.0	52	17.0
T0004.200-200-T5	M20	200	30.0	12.0	52	17.0

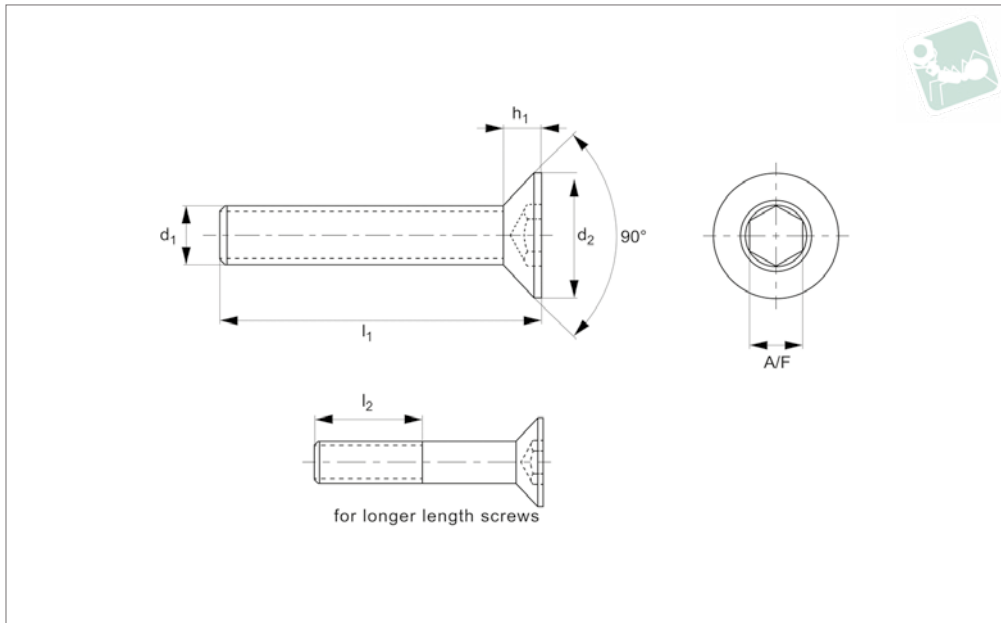




# Hexagon Socket Head Csk Cap Screws

DIN 7991, titanium G2

Titanium



**T0007.T2**

TITANIUM

**Material**  
Titanium G2.

**Technical Notes**  
To DIN 7991

Order No.	Thread	$l_1$	$d_2$	$h_1$	$l_2$	A/F
T0007.030-010-T2	M 3	10.0	6.0	1.2	-	2.0
T0007.030-015-T2	M 3	15.0	6.0	1.2	12	2.0
T0007.030-020-T2	M 3	20.0	6.0	1.2	12	2.0
T0007.030-025-T2	M 3	25.0	6.0	1.2	12	2.0
T0007.030-030-T2	M 3	30.0	6.0	1.2	12	2.0
T0007.030-035-T2	M 3	35.0	6.0	1.2	12	2.0
T0007.030-040-T2	M 3	40.0	6.0	1.2	12	2.0
T0007.030-045-T2	M 3	45.0	6.0	1.2	12	2.0
T0007.030-050-T2	M 3	50.0	6.0	1.2	12	2.0
T0007.030-055-T2	M 3	55.0	6.0	1.2	12	2.0
T0007.030-060-T2	M 3	60.0	6.0	1.2	12	2.0
T0007.040-010-T2	M 4	10.0	8.0	1.8	-	2.5
T0007.040-015-T2	M 4	15.0	8.0	1.8	-	2.5
T0007.040-020-T2	M 4	20.0	8.0	1.8	14	2.5
T0007.040-025-T2	M 4	25.0	8.0	1.8	14	2.5
T0007.040-030-T2	M 4	30.0	8.0	1.8	14	2.5
T0007.040-035-T2	M 4	35.0	8.0	1.8	14	2.5
T0007.040-040-T2	M 4	40.0	8.0	1.8	14	2.5
T0007.040-045-T2	M 4	45.0	8.0	1.8	14	2.5
T0007.040-050-T2	M 4	50.0	8.0	1.8	14	2.5
T0007.040-055-T2	M 4	55.0	8.0	1.8	14	2.5
T0007.040-060-T2	M 4	60.0	8.0	1.8	14	2.5
T0007.050-010-T2	M 5	10.0	10.0	2.3	-	3.0
T0007.050-015-T2	M 5	15.0	10.0	2.3	-	3.0
T0007.050-020-T2	M 5	20.0	10.0	2.3	16	3.0
T0007.050-025-T2	M 5	25.0	10.0	2.3	16	3.0
T0007.050-030-T2	M 5	30.0	10.0	2.3	16	3.0
T0007.050-035-T2	M 5	35.0	10.0	2.3	16	3.0
T0007.050-040-T2	M 5	40.0	10.0	2.3	16	3.0
T0007.050-045-T2	M 5	45.0	10.0	2.3	16	3.0
T0007.050-050-T2	M 5	50.0	10.0	2.3	16	3.0
T0007.050-055-T2	M 5	55.0	10.0	2.3	16	3.0
T0007.050-060-T2	M 5	60.0	10.0	2.3	16	3.0
T0007.060-010-T2	M 6	10.0	12.0	2.5	-	4.0
T0007.060-015-T2	M 6	15.0	12.0	2.5	-	4.0



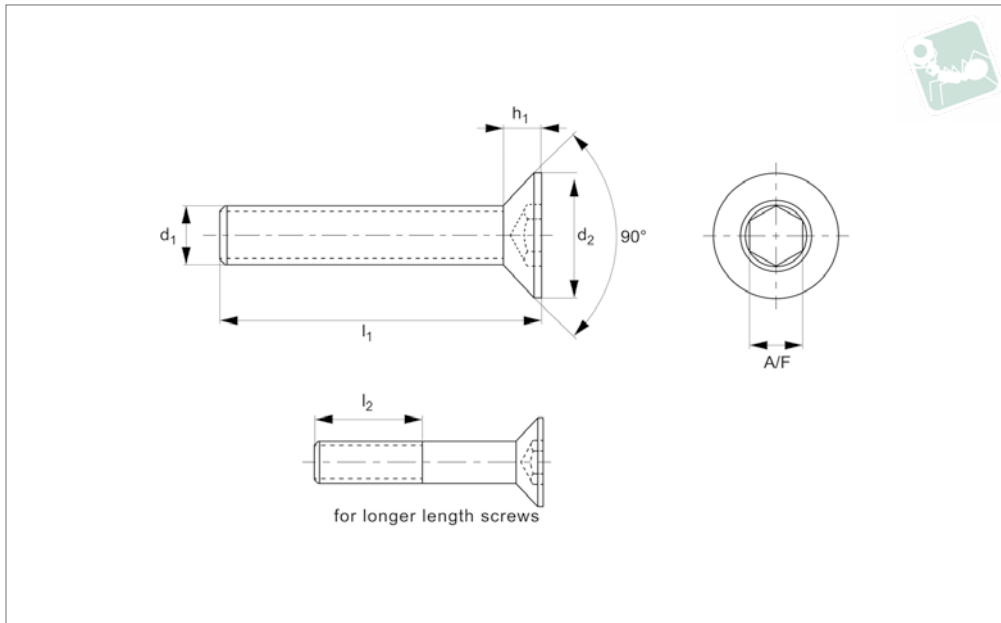
Order No.	Thread	l <sub>1</sub>	d <sub>2</sub>	h <sub>1</sub>	l <sub>2</sub>	A/F
T0007.060-020-T2	M 6	20.0	12.0	2.5	18	4.0
T0007.060-025-T2	M 6	25.0	12.0	2.5	18	4.0
T0007.060-030-T2	M 6	30.0	12.0	2.5	18	4.0
T0007.060-035-T2	M 6	35.0	12.0	2.5	18	4.0
T0007.060-040-T2	M 6	40.0	12.0	2.5	18	4.0
T0007.060-045-T2	M 6	45.0	12.0	2.5	18	4.0
T0007.060-050-T2	M 6	50.0	10.5	2.5	18	4
T0007.060-055-T2	M 6	55.0	10.5	2.5	18	4
T0007.060-060-T2	M 6	60.0	10.5	2.5	18	4
T0007.060-075-T2	M 6	75.0	10.5	2.5	18	4
T0007.060-080-T2	M 6	80.0	10.5	2.5	18	4
T0007.060-090-T2	M 6	90.0	10.5	2.5	18	4
T0007.080-010-T2	M 8	10.0	14.0	4.4	20	5
T0007.080-020-T2	M 8	20.0	14.0	4.4	20	5
T0007.080-025-T2	M 8	25.0	14.0	4.4	20	5
T0007.080-030-T2	M 8	30.0	14.0	4.4	20	5
T0007.080-035-T2	M 8	35.0	14.0	4.4	20	5
T0007.080-040-T2	M 8	40.0	14.0	4.4	20	5
T0007.080-045-T2	M 8	45.0	14.0	4.4	20	5
T0007.080-050-T2	M 8	50.0	14.0	4.4	20	5
T0007.080-055-T2	M 8	55.0	14.0	4.4	20	5
T0007.080-060-T2	M 8	60.0	14.0	4.4	20	5
T0007.080-065-T2	M 8	65.0	14.0	4.4	20	5
T0007.080-070-T2	M 8	70.0	14.0	4.4	20	5
T0007.080-080-T2	M 8	80.0	14.0	4.4	20	5
T0007.080-090-T2	M 8	90.0	14.0	4.4	20	5
T0007.080-100-T2	M 8	100.0	14.0	4.4	20	5
T0007.100-020-T2	M10	20.0	17.5	5.5	22	6
T0007.100-025-T2	M10	25.0	17.6	5.5	22	6
T0007.100-030-T2	M10	30.0	17.8	5.5	22	6
T0007.100-035-T2	M10	35.0	17.10	5.5	22	6
T0007.100-040-T2	M10	40.0	17.12	5.5	22	6
T0007.100-045-T2	M10	45.0	17.14	5.5	22	6
T0007.100-050-T2	M10	50.0	17.16	5.5	22	6
T0007.100-055-T2	M10	55.0	17.18	5.5	22	6
T0007.100-060-T2	M10	60.0	17.20	5.5	22	6
T0007.100-065-T2	M10	65.0	17.22	5.5	22	6
T0007.100-070-T2	M10	70.0	17.24	5.5	22	6
T0007.100-075-T2	M10	75.0	17.26	5.5	22	6
T0007.100-080-T2	M10	80.0	17.28	5.5	22	6
T0007.100-090-T2	M10	90.0	17.30	5.5	22	6
T0007.100-100-T2	M10	100.0	17.32	5.5	22	6
T0007.120-020-T2	M12	20.0	21.0	6.6	24	8
T0007.120-025-T2	M12	25.0	21.0	6.6	24	8
T0007.120-030-T2	M12	30.0	21.0	6.6	24	8
T0007.120-035-T2	M12	35.0	21.0	6.6	24	8
T0007.120-040-T2	M12	40.0	21.0	6.6	24	8
T0007.120-045-T2	M12	45.0	21.0	6.6	24	8
T0007.120-050-T2	M12	50.0	21.0	6.6	24	8
T0007.120-060-T2	M12	60.0	21.0	6.6	24	8
T0007.120-065-T2	M12	65.0	21.0	6.6	24	8
T0007.120-070-T2	M12	70.0	21.0	6.6	24	8
T0007.120-080-T2	M12	80.0	21.0	6.6	24	8
T0007.120-090-T2	M12	90.0	21.0	6.6	24	8
T0007.120-100-T2	M12	100.0	21.0	6.6	24	8



# Hexagon Socket Head Csk Cap Screws

DIN 7991, titanium 5

Titanium



**T0007.T5**

TITANIUM

### Material

Titanium 5 (6AL-4V).

### Technical Notes

To DIN 7991

Order No.	Thread	$l_1$	$d_2$	$h_1$	$l_2$	A/F
T0007.030-010-T5	M 3	10.0	6.0	1.2	-	2.0
T0007.030-015-T5	M 3	15.0	6.0	1.2	12	2.0
T0007.030-020-T5	M 3	20.0	6.0	1.2	12	2.0
T0007.030-025-T5	M 3	25.0	6.0	1.2	12	2.0
T0007.030-030-T5	M 3	30.0	6.0	1.2	12	2.0
T0007.030-035-T5	M 3	35.0	6.0	1.2	12	2.0
T0007.030-040-T5	M 3	40.0	6.0	1.2	12	2.0
T0007.030-045-T5	M 3	45.0	6.0	1.2	12	2.0
T0007.030-050-T5	M 3	50.0	6.0	1.2	12	2.0
T0007.030-055-T5	M 3	55.0	6.0	1.2	12	2.0
T0007.030-060-T5	M 3	60.0	6.0	1.2	12	2.0
T0007.040-010-T5	M 4	10.0	8.0	1.8	-	2.5
T0007.040-015-T5	M 4	15.0	8.0	1.8	-	2.5
T0007.040-020-T5	M 4	20.0	8.0	1.8	14	2.5
T0007.040-025-T5	M 4	25.0	8.0	1.8	14	2.5
T0007.040-030-T5	M 4	30.0	8.0	1.8	14	2.5
T0007.040-035-T5	M 4	35.0	8.0	1.8	14	2.5
T0007.040-040-T5	M 4	40.0	8.0	1.8	14	2.5
T0007.040-045-T5	M 4	45.0	8.0	1.8	14	2.5
T0007.040-050-T5	M 4	50.0	8.0	1.8	14	2.5
T0007.040-055-T5	M 4	55.0	8.0	1.8	14	2.5
T0007.040-060-T5	M 4	60.0	8.0	1.8	14	2.5
T0007.050-010-T5	M 5	10.0	10.0	2.3	-	3.0
T0007.050-015-T5	M 5	15.0	10.0	2.3	-	3.0
T0007.050-020-T5	M 5	20.0	10.0	2.3	16	3.0
T0007.050-025-T5	M 5	25.0	10.0	2.3	16	3.0
T0007.050-030-T5	M 5	30.0	10.0	2.3	16	3.0
T0007.050-035-T5	M 5	35.0	10.0	2.3	16	3.0
T0007.050-040-T5	M 5	40.0	10.0	2.3	16	3.0
T0007.050-045-T5	M 5	45.0	10.0	2.3	16	3.0
T0007.050-050-T5	M 5	50.0	10.0	2.3	16	3.0
T0007.050-055-T5	M 5	55.0	10.0	2.3	16	3.0
T0007.050-060-T5	M 5	60.0	10.0	2.3	16	3.0
T0007.060-010-T5	M 6	10.0	12.0	2.5	-	4.0
T0007.060-015-T5	M 6	15.0	12.0	2.5	-	4.0



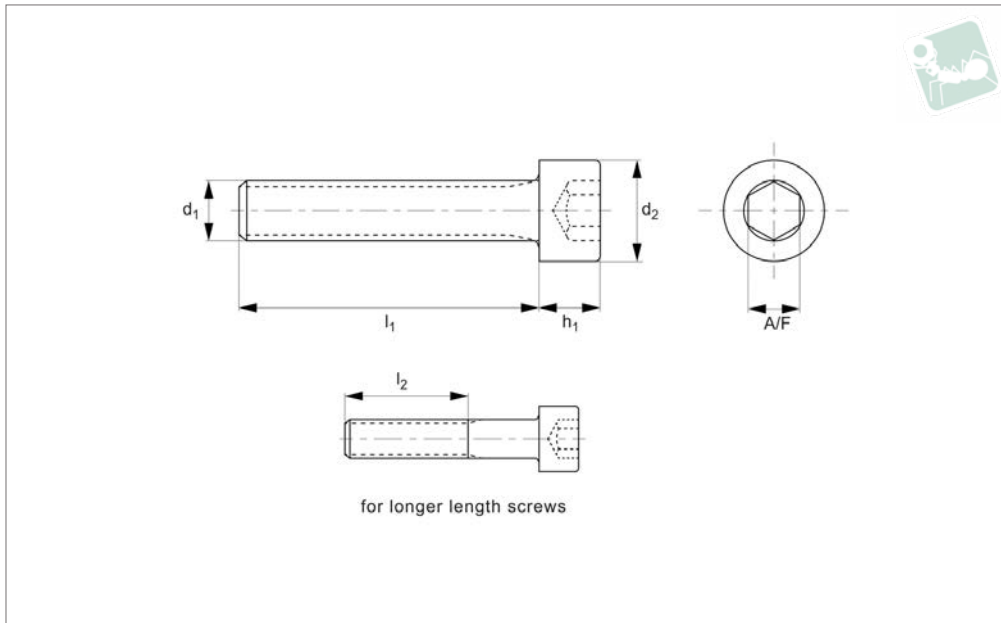
Order No.	Thread	l <sub>1</sub>	d <sub>2</sub>	h <sub>1</sub>	l <sub>2</sub>	A/F
T0007.060-020-T5	M 6	20.0	12.0	2.5	18	4.0
T0007.060-025-T5	M 6	25.0	12.0	2.5	18	4.0
T0007.060-030-T5	M 6	30.0	12.0	2.5	18	4.0
T0007.060-035-T5	M 6	35.0	12.0	2.5	18	4.0
T0007.060-040-T5	M 6	40.0	12.0	2.5	18	4.0
T0007.060-050-T5	M 6	50.0	10.5	2.5	18	4
T0007.060-055-T5	M 6	55.0	10.5	2.5	18	4
T0007.060-060-T5	M 6	60.0	10.5	2.5	18	4
T0007.060-075-T5	M 6	75.0	10.5	2.5	18	4
T0007.060-080-T5	M 6	80.0	10.5	2.5	18	4
T0007.060-090-T5	M 6	90.0	10.5	2.5	18	4
T0007.080-010-T5	M 8	10.0	14.0	4.4	20	5
T0007.080-020-T5	M 8	20.0	14.0	4.4	20	5
T0007.080-025-T5	M 8	25.0	14.0	4.4	20	5
T0007.080-030-T5	M 8	30.0	14.0	4.4	20	5
T0007.080-035-T5	M 8	35.0	14.0	4.4	20	5
T0007.080-040-T5	M 8	40.0	14.0	4.4	20	5
T0007.080-045-T5	M 8	45.0	14.0	4.4	20	5
T0007.080-050-T5	M 8	50.0	14.0	4.4	20	5
T0007.080-055-T5	M 8	55.0	14.0	4.4	20	5
T0007.080-060-T5	M 8	60.0	14.0	4.4	20	5
T0007.080-065-T5	M 8	65.0	14.0	4.4	20	5
T0007.080-070-T5	M 8	70.0	14.0	4.4	20	5
T0007.080-080-T5	M 8	80.0	14.0	4.4	20	5
T0007.080-090-T5	M 8	90.0	14.0	4.4	20	5
T0007.080-100-T5	M 8	100.0	14.0	4.4	20	5
T0007.100-020-T5	M10	20.0	17.5	5.5	22	6
T0007.100-025-T5	M10	25.0	17.6	5.5	22	6
T0007.100-030-T5	M10	30.0	17.8	5.5	22	6
T0007.100-035-T5	M10	35.0	17.10	5.5	22	6
T0007.100-040-T5	M10	40.0	17.12	5.5	22	6
T0007.100-045-T5	M10	45.0	17.14	5.5	22	6
T0007.100-050-T5	M10	50.0	17.16	5.5	22	6
T0007.100-055-T5	M10	55.0	17.18	5.5	22	6
T0007.100-060-T5	M10	60.0	17.20	5.5	22	6
T0007.100-065-T5	M10	65.0	17.22	5.5	22	6
T0007.100-070-T5	M10	70.0	17.24	5.5	22	6
T0007.100-075-T5	M10	75.0	17.26	5.5	22	6
T0007.100-080-T5	M10	80.0	17.28	5.5	22	6
T0007.100-090-T5	M10	90.0	17.30	5.5	22	6
T0007.100-100-T5	M10	100.0	17.32	5.5	22	6
T0007.120-020-T5	M12	20.0	21.0	6.6	24	8
T0007.120-025-T5	M12	25.0	21.0	6.6	24	8
T0007.120-030-T5	M12	30.0	21.0	6.6	24	8
T0007.120-035-T5	M12	35.0	21.0	6.6	24	8
T0007.120-040-T5	M12	40.0	21.0	6.6	24	8
T0007.120-045-T5	M12	45.0	21.0	6.6	24	8
T0007.120-050-T5	M12	50.0	21.0	6.6	24	8
T0007.120-055-T5	M12	55.0	21.0	6.6	24	8
T0007.120-060-T5	M12	60.0	21.0	6.6	24	8
T0007.120-065-T5	M12	65.0	21.0	6.6	24	8
T0007.120-070-T5	M12	70.0	21.0	6.6	24	8
T0007.120-075-T5	M12	75.0	21.0	6.6	24	8
T0007.120-080-T5	M12	80.0	21.0	6.6	24	8
T0007.120-090-T5	M12	90.0	21.0	6.6	24	8
T0007.120-100-T5	M12	100.0	21.0	6.6	24	8



# Socket Cap Screw - M2 - M8

DIN 912 Gr.5

Titanium



**T0010.91T.3**

TITANIUM

### Material

Titanium Grade 5 (aerospace grade Ti 6Al-4V Titanium alloy, good strength to weight ratio, corrosion resistant ).

### Technical Notes

Items to DIN 912 where stated in data

table.

For the majority of screw lengths the threads goes all the way to the head of the screw (i.e.  $l_1 = l_2$ ) less 2.5 thread pitches.

For longer length screws the threaded portion  $l_2 < l_1$ .

Order No.	d <sub>1</sub>	l <sub>1</sub>	d <sub>2</sub>	h <sub>1</sub>	l <sub>2</sub>	A/F	Finish	Material
91T.020.0060.5AD	M 2	6	4.0	2.0	-	2	Natural	Ti-G5
91T.020.0080.5AD	M 2	8	4.0	2.0	-	2	Natural	Ti-G5
91T.020.0100.5AD	M 2	10	4.0	2.0	-	2	Natural	Ti-G5
91T.020.0120.5AD	M 2	12	4.0	2.0	-	2	Natural	Ti-G5
91T.020.0150.5AD	M 2	15	4.0	2.0	-	2	Natural	Ti-G5
91T.020.0160.5AD	M 2	16	4.0	2.0	-	2	Natural	Ti-G5
91T.020.0200.5AD	M 2	20	4.0	2.0	18.0	2	Natural	Ti-G5
91T.020.0250.5AD	M 2	25	4.0	2.0	18.0	2	Natural	Ti-G5
91T.020.0300.5AD	M 2	30	4.0	2.0	18.0	2	Natural	Ti-G5
91T.025.0060.5AD	M2,5	6	5.0	2.5	-	2	Natural	Ti-G5
91T.025.0080.5AD	M2,5	8	5.0	2.5	-	2	Natural	Ti-G5
91T.025.0100.5AD	M2,5	10	5.0	2.5	-	2	Natural	Ti-G5
91T.025.0120.5AD	M2,5	12	5.0	2.5	-	2	Natural	Ti-G5
91T.025.0150.5AD	M2,5	15	5.0	2.5	-	2	Natural	Ti-G5
91T.025.0160.5AD	M2,5	16	5.0	2.5	-	2	Natural	Ti-G5
91T.025.0200.5AD	M2,5	20	5.0	2.5	18.5	2	Natural	Ti-G5
91T.025.0250.5AD	M2,5	25	5.0	2.5	18.5	2	Natural	Ti-G5
91T.025.0300.5AD	M2,5	30	5.0	2.5	18.5	2	Natural	Ti-G5
91T.025.0350.5AD	M2,5	35	5.0	2.5	18.5	2	Natural	Ti-G5
91T.025.0400.5AD	M2,5	40	5.0	2.5	18.5	2	Natural	Ti-G5
91T.030.0060.5AD	M 3	6	5.5	3.0	-	2	Natural	Ti-G5
91T.030.0080.5AD	M 3	8	5.5	3.0	-	2	Natural	Ti-G5
91T.030.0100.5AD	M 3	10	5.5	3.0	-	2	Natural	Ti-G5
91T.030.0120.5AD	M 3	12	5.5	3.0	-	2	Natural	Ti-G5
91T.030.0150.5AD	M 3	15	5.5	3.0	-	2	Natural	Ti-G5
91T.030.0160.5AD	M 3	16	5.5	3.0	-	2	Natural	Ti-G5
91T.030.0200.5AD	M 3	20	5.5	3.0	19.0	2	Natural	Ti-G5
91T.030.0250.5AD	M 3	25	5.5	3.0	19.0	2	Natural	Ti-G5
91T.030.0300.5AD	M 3	30	5.5	3.0	19.0	2	Natural	Ti-G5
91T.030.0350.5AD	M 3	35	5.5	3.0	19.0	2	Natural	Ti-G5
91T.030.0400.5AD	M 3	40	5.5	3.0	19.0	2	Natural	Ti-G5
91T.030.0450.5AD	M 3	45	5.5	3.0	19.0	2	Natural	Ti-G5



Order No.	d <sub>1</sub>	l <sub>1</sub>	d <sub>2</sub>	h <sub>1</sub>	l <sub>2</sub>	A/F	Finish	Material
91T.030.0500.5AD	M 3	50	5.5	3.0	19.0	2	Natural	Ti-G5
91T.030.0550.5AD	M 3	55	5.5	3.0	19.0	2	Natural	Ti-G5
91T.030.0600.5AD	M 3	60	5.5	3.0	19.0	2	Natural	Ti-G5
91T.040.0060.5AD	M 4	6	7.0	4.0	-	3	Natural	Ti-G5
91T.040.0080.5AD	M 4	8	7.0	4.0	-	3	Natural	Ti-G5
91T.040.0100.5AD	M 4	10	7.0	4.0	-	3	Natural	Ti-G5
91T.040.0120.5AD	M 4	12	7.0	4.0	-	3	Natural	Ti-G5
91T.040.0150.5AD	M 4	15	7.0	4.0	-	3	Natural	Ti-G5
91T.040.0160.5AD	M 4	16	7.0	4.0	-	3	Natural	Ti-G5
91T.040.0200.5AD	M 4	20	7.0	4.0	20.0	3	Natural	Ti-G5
91T.040.0250.5AD	M 4	25	7.0	4.0	20.0	3	Natural	Ti-G5
91T.040.0300.5AD	M 4	30	7.0	4.0	20.0	3	Natural	Ti-G5
91T.040.0350.5AD	M 4	35	7.0	4.0	20.0	3	Natural	Ti-G5
91T.040.0400.5AD	M 4	40	7.0	4.0	20.0	3	Natural	Ti-G5
91T.040.0450.5AD	M 4	45	7.0	4.0	20.0	3	Natural	Ti-G5
91T.040.0500.5AD	M 4	50	7.0	4.0	20.0	3	Natural	Ti-G5
91T.040.0550.5AD	M 4	55	7.0	4.0	20.0	3	Natural	Ti-G5
91T.040.0600.5AD	M 4	60	7.0	4.0	20.0	3	Natural	Ti-G5
91T.040.0650.5AD	M 4	65	7.0	4.0	20.0	3	Natural	Ti-G5
91T.040.0700.5AD	M 4	70	7.0	4.0	20.0	3	Natural	Ti-G5
91T.040.0750.5AD	M 4	75	7.0	4.0	20.0	3	Natural	Ti-G5
91T.040.0800.5AD	M 4	80	7.0	4.0	20.0	3	Natural	Ti-G5
91T.050.0060.5AD	M 5	6	8.5	5.0	-	4	Natural	Ti-G5
91T.050.0080.5AD	M 5	8	8.5	5.0	-	4	Natural	Ti-G5
91T.050.0100.5AD	M 5	10	8.5	5.0	-	4	Natural	Ti-G5
91T.050.0120.5AD	M 5	12	8.5	5.0	-	4	Natural	Ti-G5
91T.050.0150.5AD	M 5	15	8.5	5.0	-	4	Natural	Ti-G5
91T.050.0160.5AD	M 5	16	8.5	5.0	-	4	Natural	Ti-G5
91T.050.0200.5AD	M 5	20	8.5	5.0	-	4	Natural	Ti-G5
91T.050.0250.5AD	M 5	25	8.5	5.0	22.0	4	Natural	Ti-G5
91T.050.0300.5AD	M 5	30	8.5	5.0	22.0	4	Natural	Ti-G5
91T.050.0350.5AD	M 5	35	8.5	5.0	22.0	4	Natural	Ti-G5
91T.050.0400.5AD	M 5	40	8.5	5.0	22.0	4	Natural	Ti-G5
91T.050.0450.5AD	M 5	45	8.5	5.0	22.0	4	Natural	Ti-G5
91T.050.0500.5AD	M 5	50	8.5	5.0	22.0	4	Natural	Ti-G5
91T.050.0550.5AD	M 5	55	8.5	5.0	22.0	4	Natural	Ti-G5
91T.050.0600.5AD	M 5	60	8.5	5.0	22.0	4	Natural	Ti-G5
91T.050.0650.5AD	M 5	65	8.5	5.0	22.0	4	Natural	Ti-G5
91T.050.0700.5AD	M 5	70	8.5	5.0	22.0	4	Natural	Ti-G5
91T.050.0750.5AD	M 5	75	8.5	5.0	22.0	4	Natural	Ti-G5
91T.050.0800.5AD	M 5	80	8.5	5.0	22.0	4	Natural	Ti-G5
91T.050.0850.5AD	M 5	85	8.5	5.0	22.0	4	Natural	Ti-G5
91T.050.0900.5AD	M 5	90	8.5	5.0	22.0	4	Natural	Ti-G5
91T.050.0950.5AD	M 5	95	8.5	5.0	22.0	4	Natural	Ti-G5
91T.050.1000.5AD	M 5	100	8.5	5.0	22.0	4	Natural	Ti-G5
91T.060.0060.5AD	M 6	6	10.0	6.0	-	5	Natural	Ti-G5
91T.060.0080.5AD	M 6	8	10.0	6.0	-	5	Natural	Ti-G5
91T.060.0100.5AD	M 6	10	10.0	6.0	-	5	Natural	Ti-G5
91T.060.0120.5AD	M 6	12	10.0	6.0	-	5	Natural	Ti-G5
91T.060.0150.5AD	M 6	15	10.0	6.0	-	5	Natural	Ti-G5
91T.060.0160.5AD	M 6	16	10.0	6.0	-	5	Natural	Ti-G5
91T.060.0200.5AD	M 6	20	10.0	6.0	-	5	Natural	Ti-G5
91T.060.0250.5AD	M 6	25	10.0	6.0	24.0	5	Natural	Ti-G5
91T.060.0300.5AD	M 6	30	10.0	6.0	24.0	5	Natural	Ti-G5
91T.060.0350.5AD	M 6	35	10.0	6.0	24.0	5	Natural	Ti-G5
91T.060.0400.5AD	M 6	40	10.0	6.0	24.0	5	Natural	Ti-G5
91T.060.0450.5AD	M 6	45	10.0	6.0	24.0	5	Natural	Ti-G5
91T.060.0500.5AD	M 6	50	10.0	6.0	24.0	5	Natural	Ti-G5
91T.060.0550.5AD	M 6	55	10.0	6.0	24.0	5	Natural	Ti-G5
91T.060.0600.5AD	M 6	60	10.0	6.0	24.0	5	Natural	Ti-G5
91T.060.0650.5AD	M 6	65	10.0	6.0	24.0	5	Natural	Ti-G5
91T.060.0700.5AD	M 6	70	10.0	6.0	24.0	5	Natural	Ti-G5
91T.060.0750.5AD	M 6	75	10.0	6.0	24.0	5	Natural	Ti-G5
91T.060.0800.5AD	M 6	80	10.0	6.0	24.0	5	Natural	Ti-G5
91T.060.0850.5AD	M 6	85	10.0	6.0	24.0	5	Natural	Ti-G5
91T.060.0900.5AD	M 6	90	10.0	6.0	24.0	5	Natural	Ti-G5
91T.060.0950.5AD	M 6	95	10.0	6.0	24.0	5	Natural	Ti-G5
91T.060.1000.5AD	M 6	100	10.0	6.0	24.0	5	Natural	Ti-G5
91T.060.1100.5AD	M 6	110	10.0	6.0	24.0	5	Natural	Ti-G5



# Socket Cap Screw - M2 - M8

DIN 912 Gr.5

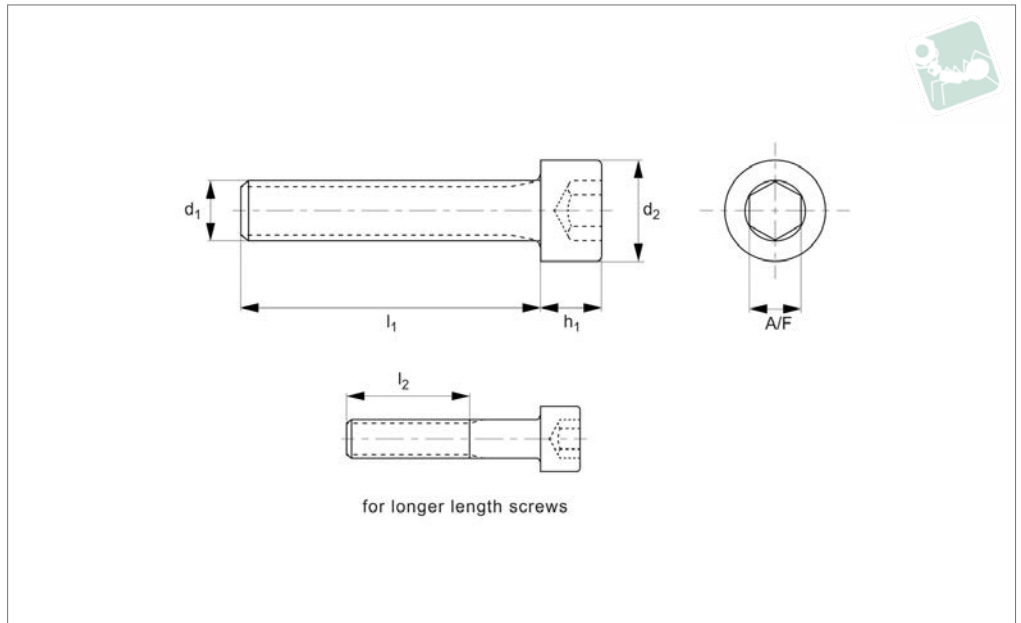
Titanium

Order No.	d <sub>1</sub>	l <sub>1</sub>	d <sub>2</sub>	h <sub>1</sub>	l <sub>2</sub>	A/F	Finish	Material
91T.060.1200.5AD	M 6	120	10.0	6.0	24.0	5	Natural	Ti-G5
91T.060.1300.5AD	M 6	130	10.0	6.0	24.0	5	Natural	Ti-G5
91T.060.1400.5AD	M 6	140	10.0	6.0	24.0	5	Natural	Ti-G5
91T.060.1500.5AD	M 6	150	10.0	6.0	24.0	5	Natural	Ti-G5
91T.080.0100.5AD	M 8	10	13.0	8.0	-	6	Natural	Ti-G5
91T.080.0120.5AD	M 8	12	13.0	8.0	-	6	Natural	Ti-G5
91T.080.0150.5AD	M 8	15	13.0	8.0	-	6	Natural	Ti-G5
91T.080.0160.5AD	M 8	16	13.0	8.0	-	6	Natural	Ti-G5
91T.080.0200.5AD	M 8	20	13.0	8.0	-	6	Natural	Ti-G5
91T.080.0250.5AD	M 8	25	13.0	8.0	-	6	Natural	Ti-G5
91T.080.0300.5AD	M 8	30	13.0	8.0	28.0	6	Natural	Ti-G5
91T.080.0350.5AD	M 8	35	13.0	8.0	28.0	6	Natural	Ti-G5
91T.080.0400.5AD	M 8	40	13.0	8.0	28.0	6	Natural	Ti-G5
91T.080.0450.5AD	M 8	45	13.0	8.0	28.0	6	Natural	Ti-G5
91T.080.0500.5AD	M 8	50	13.0	8.0	28.0	6	Natural	Ti-G5
91T.080.0550.5AD	M 8	55	13.0	8.0	28.0	6	Natural	Ti-G5
91T.080.0600.5AD	M 8	60	13.0	8.0	28.0	6	Natural	Ti-G5
91T.080.0650.5AD	M 8	65	13.0	8.0	28.0	6	Natural	Ti-G5
91T.080.0700.5AD	M 8	70	13.0	8.0	28.0	6	Natural	Ti-G5
91T.080.0750.5AD	M 8	75	13.0	8.0	28.0	6	Natural	Ti-G5

TITANIUM



**T0010.91T.4**



TITANIUM

**Material**

Titanium Grade 5 (aerospace grade Ti 6Al-4V Titanium alloy, good strength to weight ratio, corrosion resistant ).

**Technical Notes**

Items to DIN 912 where stated in data

table.

For the majority of screw lengths the threads goes all the way to the head of the screw (i.e.  $l_1 = l_2$ ) less 2.5 thread pitches.

For longer length screws the threaded portion  $l_2 < l_1$ .

Order No.	d <sub>1</sub>	l <sub>1</sub>	d <sub>2</sub>	h <sub>1</sub>	l <sub>2</sub>	A/F	Grade	Finish	Material	To standard
91T.080.0850.5AD	M 8	85	13	8	28	6	Aero	Natural	Ti-G5	DIN 912
91T.080.0900.5AD	M 8	90	13	8	28	6	Aero	Natural	Ti-G5	DIN 912
91T.080.0950.5AD	M 8	95	13	8	28	6	Aero	Natural	Ti-G5	DIN 912
91T.080.1000.5AD	M 8	100	13	8	28	6	Aero	Natural	Ti-G5	DIN 912
91T.080.1100.5AD	M 8	110	13	8	28	6	Aero	Natural	Ti-G5	DIN 912
91T.080.1200.5AD	M 8	120	13	8	28	6	Aero	Natural	Ti-G5	DIN 912
91T.080.1300.5AD	M 8	130	13	8	28	6	Aero	Natural	Ti-G5	DIN 912
91T.080.1400.5AD	M 8	140	13	8	28	6	Aero	Natural	Ti-G5	DIN 912
91T.080.1500.5AD	M 8	150	13	8	28	6	Aero	Natural	Ti-G5	DIN 912
91T.100.0150.5AD	M10	15	16	10	-	8	Aero	Natural	Ti-G5	DIN 912
91T.100.0160.5AD	M10	16	16	10	-	8	Aero	Natural	Ti-G5	DIN 912
91T.100.0200.5AD	M10	20	16	10	-	8	Aero	Natural	Ti-G5	DIN 912
91T.100.0250.5AD	M10	25	16	10	-	8	Aero	Natural	Ti-G5	DIN 912
91T.100.0300.5AD	M10	30	16	10	-	8	Aero	Natural	Ti-G5	DIN 912
91T.100.0350.5AD	M10	35	16	10	32	8	Aero	Natural	Ti-G5	DIN 912
91T.100.0400.5AD	M10	40	16	10	32	8	Aero	Natural	Ti-G5	DIN 912
91T.100.0450.5AD	M10	45	16	10	32	8	Aero	Natural	Ti-G5	DIN 912
91T.100.0500.5AD	M10	50	16	10	32	8	Aero	Natural	Ti-G5	DIN 912
91T.100.0550.5AD	M10	55	16	10	32	8	Aero	Natural	Ti-G5	DIN 912
91T.100.0600.5AD	M10	60	16	10	32	8	Aero	Natural	Ti-G5	DIN 912
91T.100.0650.5AD	M10	65	16	10	32	8	Aero	Natural	Ti-G5	DIN 912
91T.100.0700.5AD	M10	70	16	10	32	8	Aero	Natural	Ti-G5	DIN 912
91T.100.0750.5AD	M10	75	16	10	32	8	Aero	Natural	Ti-G5	DIN 912
91T.100.0800.5AD	M10	80	16	10	32	8	Aero	Natural	Ti-G5	DIN 912
91T.100.0850.5AD	M10	85	16	10	32	8	Aero	Natural	Ti-G5	DIN 912
91T.100.0900.5AD	M10	90	16	10	32	8	Aero	Natural	Ti-G5	DIN 912
91T.100.0950.5AD	M10	95	16	10	32	8	Aero	Natural	Ti-G5	DIN 912
91T.100.1000.5AD	M10	100	16	10	32	8	Aero	Natural	Ti-G5	DIN 912
91T.100.1100.5AD	M10	110	16	10	32	8	Aero	Natural	Ti-G5	DIN 912
91T.100.1200.5AD	M10	120	16	10	32	8	Aero	Natural	Ti-G5	DIN 912
91T.100.1300.5AD	M10	130	16	10	32	8	Aero	Natural	Ti-G5	DIN 912
91T.100.1400.5AD	M10	140	16	10	32	8	Aero	Natural	Ti-G5	DIN 912





# Socket Cap Screw - M8 - M20

DIN 912 Gr.5

Titanium

Order No.	d <sub>1</sub>	l <sub>1</sub>	d <sub>2</sub>	h <sub>1</sub>	l <sub>2</sub>	A/F	Grade	Finish	Material	To standard
91T.100.1500.5AD	M10	150	16	10	32	8	Aero	Natural	Ti-G5	DIN 912
91T.120.0200.5AD	M12	20	19	12	34	10	Aero	Natural	Ti-G5	DIN 912
91T.120.0250.5AD	M12	25	19	12	34	10	Aero	Natural	Ti-G5	DIN 912
91T.120.0300.5AD	M12	30	19	12	34	10	Aero	Natural	Ti-G5	DIN 912
91T.120.0350.5AD	M12	35	19	12	34	10	Aero	Natural	Ti-G5	DIN 912
91T.120.0400.5AD	M12	40	19	12	34	10	Aero	Natural	Ti-G5	DIN 912
91T.120.0450.5AD	M12	45	19	12	34	10	Aero	Natural	Ti-G5	DIN 912
91T.120.0500.5AD	M12	50	19	12	34	10	Aero	Natural	Ti-G5	DIN 912
91T.120.0550.5AD	M12	55	19	12	34	10	Aero	Natural	Ti-G5	DIN 912
91T.120.0600.5AD	M12	60	19	12	34	10	Aero	Natural	Ti-G5	DIN 912
91T.120.0650.5AD	M12	65	19	12	34	10	Aero	Natural	Ti-G5	DIN 912
91T.120.0700.5AD	M12	70	19	12	34	10	Aero	Natural	Ti-G5	DIN 912
91T.120.0750.5AD	M12	75	19	12	34	10	Aero	Natural	Ti-G5	DIN 912
91T.120.0800.5AD	M12	80	19	12	34	10	Aero	Natural	Ti-G5	DIN 912
91T.120.0850.5AD	M12	85	19	12	34	10	Aero	Natural	Ti-G5	DIN 912
91T.120.0900.5AD	M12	90	19	12	34	10	Aero	Natural	Ti-G5	DIN 912
91T.120.0950.5AD	M12	95	19	12	34	10	Aero	Natural	Ti-G5	DIN 912
91T.120.1000.5AD	M12	100	19	12	34	10	Aero	Natural	Ti-G5	DIN 912
91T.120.1100.5AD	M12	110	19	12	34	10	Aero	Natural	Ti-G5	DIN 912
91T.120.1200.5AD	M12	120	19	12	34	10	Aero	Natural	Ti-G5	DIN 912
91T.120.1300.5AD	M12	130	19	12	34	10	Aero	Natural	Ti-G5	DIN 912
91T.120.1400.5AD	M12	140	19	12	34	10	Aero	Natural	Ti-G5	DIN 912
91T.120.1500.5AD	M12	150	19	12	34	10	Aero	Natural	Ti-G5	DIN 912
91T.140.0200.5AD	M14	20	22	14	36	12	Aero	Natural	Ti-G5	DIN 912
91T.140.0250.5AD	M14	25	22	14	36	12	Aero	Natural	Ti-G5	DIN 912
91T.140.0300.5AD	M14	30	22	14	36	12	Aero	Natural	Ti-G5	DIN 912
91T.140.0350.5AD	M14	35	22	14	36	12	Aero	Natural	Ti-G5	DIN 912
91T.140.0400.5AD	M14	40	22	14	36	12	Aero	Natural	Ti-G5	DIN 912
91T.140.0450.5AD	M14	45	22	14	36	12	Aero	Natural	Ti-G5	DIN 912
91T.140.0500.5AD	M14	50	22	14	36	12	Aero	Natural	Ti-G5	DIN 912
91T.140.0550.5AD	M14	55	22	14	36	12	Aero	Natural	Ti-G5	DIN 912
91T.140.0600.5AD	M14	60	22	14	36	12	Aero	Natural	Ti-G5	DIN 912
91T.140.0650.5AD	M14	65	22	14	36	12	Aero	Natural	Ti-G5	DIN 912
91T.140.0700.5AD	M14	70	22	14	36	12	Aero	Natural	Ti-G5	DIN 912
91T.140.0750.5AD	M14	75	22	14	36	12	Aero	Natural	Ti-G5	DIN 912
91T.140.0800.5AD	M14	80	22	14	36	12	Aero	Natural	Ti-G5	DIN 912
91T.140.0850.5AD	M14	85	22	14	36	12	Aero	Natural	Ti-G5	DIN 912
91T.140.0900.5AD	M14	90	22	14	36	12	Aero	Natural	Ti-G5	DIN 912
91T.140.0950.5AD	M14	95	22	14	36	12	Aero	Natural	Ti-G5	DIN 912
91T.140.1000.5AD	M14	100	22	14	36	12	Aero	Natural	Ti-G5	DIN 912
91T.140.1100.5AD	M14	110	22	14	36	12	Aero	Natural	Ti-G5	DIN 912
91T.140.1200.5AD	M14	120	22	14	36	12	Aero	Natural	Ti-G5	DIN 912
91T.140.1300.5AD	M14	130	22	14	36	12	Aero	Natural	Ti-G5	DIN 912
91T.140.1400.5AD	M14	140	22	14	36	12	Aero	Natural	Ti-G5	DIN 912
91T.140.1500.5AD	M14	150	22	14	36	12	Aero	Natural	Ti-G5	DIN 912
91T.160.0200.5AD	M16	20	25	16	38	14	Aero	Natural	Ti-G5	DIN 912
91T.160.0250.5AD	M16	25	25	16	38	14	Aero	Natural	Ti-G5	DIN 912
91T.160.0300.5AD	M16	30	25	16	38	14	Aero	Natural	Ti-G5	DIN 912
91T.160.0350.5AD	M16	35	25	16	38	14	Aero	Natural	Ti-G5	DIN 912
91T.160.0400.5AD	M16	40	25	16	38	14	Aero	Natural	Ti-G5	DIN 912
91T.160.0450.5AD	M16	45	25	16	38	14	Aero	Natural	Ti-G5	DIN 912
91T.160.0500.5AD	M16	50	25	16	38	14	Aero	Natural	Ti-G5	DIN 912
91T.160.0550.5AD	M16	55	25	16	38	14	Aero	Natural	Ti-G5	DIN 912
91T.160.0600.5AD	M16	60	25	16	38	14	Aero	Natural	Ti-G5	DIN 912
91T.160.0650.5AD	M16	65	25	16	38	14	Aero	Natural	Ti-G5	DIN 912
91T.160.0700.5AD	M16	70	25	16	38	14	Aero	Natural	Ti-G5	DIN 912
91T.160.0750.5AD	M16	75	25	16	38	14	Aero	Natural	Ti-G5	DIN 912
91T.160.0800.5AD	M16	80	25	16	38	14	Aero	Natural	Ti-G5	DIN 912
91T.160.0850.5AD	M16	85	25	16	38	14	Aero	Natural	Ti-G5	DIN 912
91T.160.0900.5AD	M16	90	25	16	38	14	Aero	Natural	Ti-G5	DIN 912
91T.160.0950.5AD	M16	95	25	16	38	14	Aero	Natural	Ti-G5	DIN 912
91T.160.1000.5AD	M16	100	25	16	38	14	Aero	Natural	Ti-G5	DIN 912
91T.160.1100.5AD	M16	110	25	16	38	14	Aero	Natural	Ti-G5	DIN 912
91T.160.1200.5AD	M16	120	25	16	38	14	Aero	Natural	Ti-G5	DIN 912
91T.160.1300.5AD	M16	130	25	16	38	14	Aero	Natural	Ti-G5	DIN 912
91T.160.1400.5AD	M16	140	25	16	38	14	Aero	Natural	Ti-G5	DIN 912
91T.160.1500.5AD	M16	150	25	16	38	14	Aero	Natural	Ti-G5	DIN 912
91T.200.0200.5AD	M20	20	31	20	42	18	Aero	Natural	Ti-G5	DIN 912
91T.200.0250.5AD	M20	25	31	20	42	18	Aero	Natural	Ti-G5	DIN 912

TITANIUM



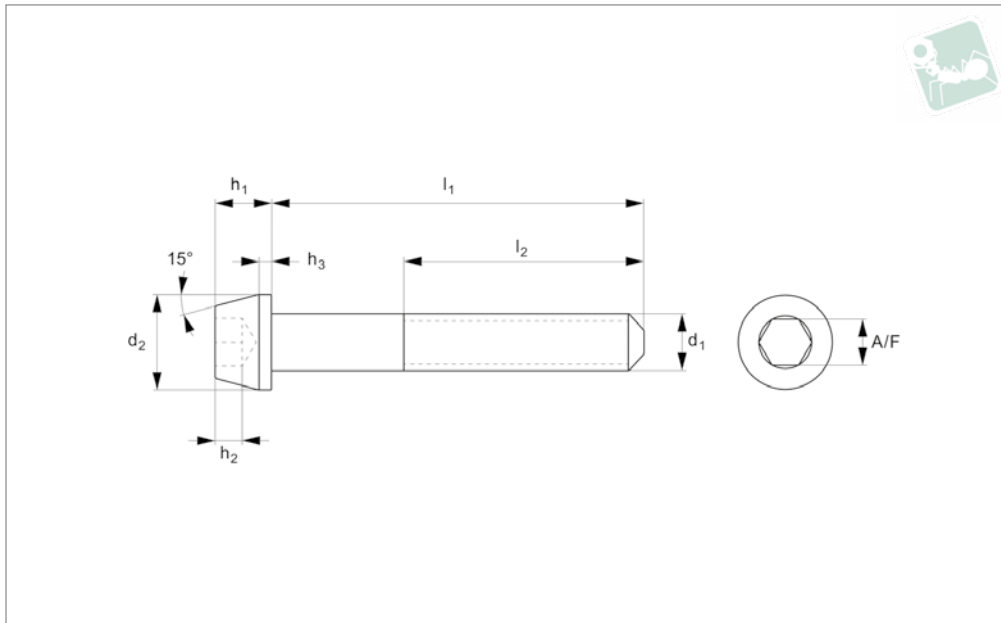
Order No.	d <sub>1</sub>	l <sub>1</sub>	d <sub>2</sub>	h <sub>1</sub>	l <sub>2</sub>	A/F	Grade	Finish	Material	To standard
91T.200.0300.5AD	M20	30	31	20	42	18	Aero	Natural	Ti-G5	DIN 912
91T.200.0350.5AD	M20	35	31	20	42	18	Aero	Natural	Ti-G5	DIN 912
91T.200.0400.5AD	M20	40	31	20	42	18	Aero	Natural	Ti-G5	DIN 912
91T.200.0450.5AD	M20	45	31	20	42	18	Aero	Natural	Ti-G5	DIN 912
91T.200.0500.5AD	M20	50	31	20	42	18	Aero	Natural	Ti-G5	DIN 912
91T.200.0550.5AD	M20	55	31	20	42	18	Aero	Natural	Ti-G5	DIN 912
91T.200.0600.5AD	M20	60	31	20	42	18	Aero	Natural	Ti-G5	DIN 912
91T.200.0650.5AD	M20	65	31	20	42	18	Aero	Natural	Ti-G5	DIN 912
91T.200.0700.5AD	M20	70	31	20	42	18	Aero	Natural	Ti-G5	DIN 912
91T.200.0750.5AD	M20	75	31	20	42	18	Aero	Natural	Ti-G5	DIN 912
91T.200.0800.5AD	M20	80	31	20	42	18	Aero	Natural	Ti-G5	DIN 912
91T.200.0850.5AD	M20	85	31	20	42	18	Aero	Natural	Ti-G5	DIN 912
91T.200.0900.5AD	M20	90	31	20	42	18	Aero	Natural	Ti-G5	DIN 912
91T.200.0950.5AD	M20	95	31	20	42	18	Aero	Natural	Ti-G5	DIN 912
91T.200.1000.5AD	M20	100	31	20	42	18	Aero	Natural	Ti-G5	DIN 912
91T.200.1100.5AD	M20	110	31	20	42	18	Aero	Natural	Ti-G5	DIN 912
91T.200.1200.5AD	M20	120	31	20	42	18	Aero	Natural	Ti-G5	DIN 912
91T.200.1300.5AD	M20	130	31	20	42	18	Aero	Natural	Ti-G5	DIN 912
91T.200.1400.5AD	M20	140	31	20	42	18	Aero	Natural	Ti-G5	DIN 912
91T.200.1500.5AD	M20	150	31	20	42	18	Aero	Natural	Ti-G5	DIN 912



# Socket Tapered Cap Screw

titanium 5

Titanium



**T0016.T5**

TITANIUM

**Material**  
Titanium 5 (6AL-4V).

**Technical Notes**  
DIN 912

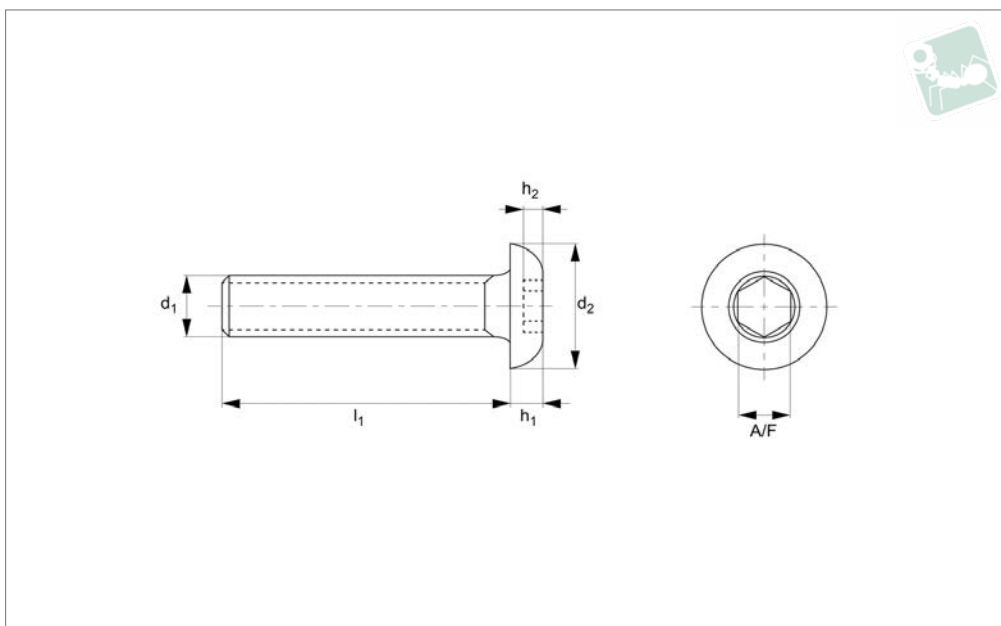
Order No.	Thread $d_1$	$l_1$	$d_2$	$h_1$	$h_2$	$h_3$	$l_2$	R	A/F	Material
T0016.030-030	M 3	30	5.5	3	1.3	1.0	18	0.1	2.5	Titanium 5
T0016.040-050	M 4	50	7.0	4	2.0	1.0	20	0.2	3.0	Titanium 5
T0016.050-060	M 5	60	8.5	5	2.5	1.3	22	0.2	4.0	Titanium 5
T0016.060-140	M 6	140	10.0	6	3.0	1.3	24	0.25	5.0	Titanium 5
T0016.070-140	M 7	140	12.0	7	3.5	1.7	26	0.3	5.0	Titanium 5
T0016.080-140	M 8	140	13.0	8	4.0	1.8	28	0.4	6.0	Titanium 5
T0016.100-140	M10	140	16.0	10	5.0	2.0	32	0.4	8.0	Titanium 5
T0016.120-140	M12	140	18.0	12	6.0	2.2	36	0.6	10.0	Titanium 5



TITANIUM



**T0019.T2**



**Material**  
Titanium G2.

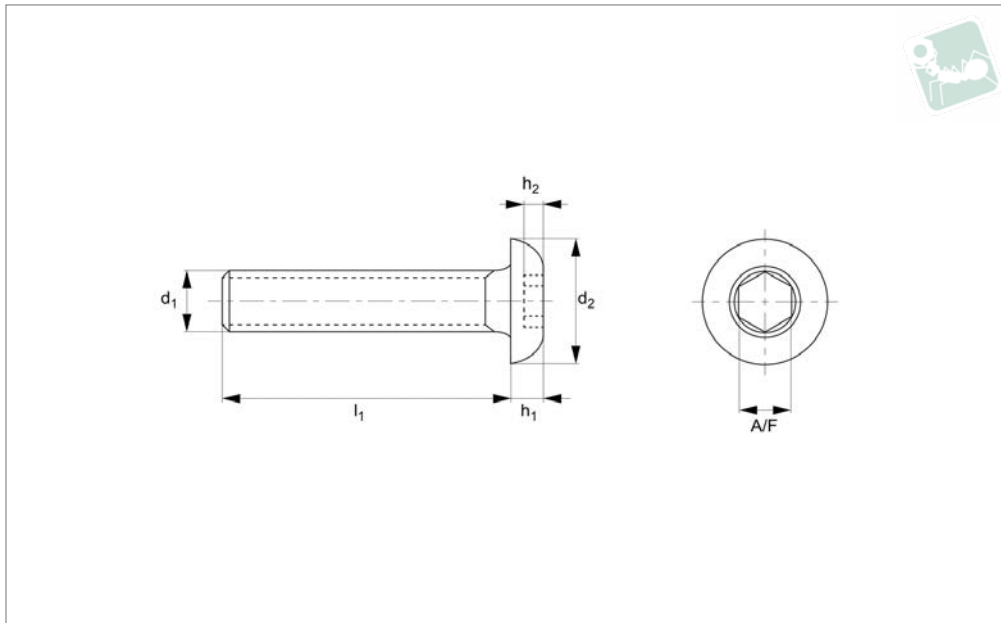
Order No.	Thread	$l_1$	$d_2$	$h_1$	$h_2$	A/F
T0019.050-016-T2-A	M 5	16.0	9.0	3.0	1.56	3.0
T0019.050-016-T2-B	M 5	16.0	10.5	3.0	1.56	3.0
T0019.050-025-T2-A	M 5	25.0	9.0	3.0	1.56	3.0
T0019.050-025-T2-B	M 5	25.0	10.5	3.0	1.56	3.0
T0019.060-016-T2-A	M 6	16.0	10.5	3.3	2.08	4.0
T0019.060-016-T2-B	M 6	16.0	16.0	3.3	2.08	4.0
T0019.060-025-T2-A	M 6	25.0	10.5	3.3	2.08	4.0
T0019.060-025-T2-B	M 6	25.0	16.0	3.3	2.08	4.0
T0019.080-020-T2-A	M 8	20.0	14.0	4.5	2.08	5.0
T0019.080-020-T2-B	M 8	20.0	16.0	4.5	2.08	5.0
T0019.080-030-T2-A	M 8	30.0	14.0	4.5	2.08	5.0
T0019.080-030-T2-B	M 8	30.0	16.0	4.5	2.08	5.0



# Buttonhead Socket Cap Screw

ISO 7380, titanium 5

Titanium



**T0019.T5**

TITANIUM

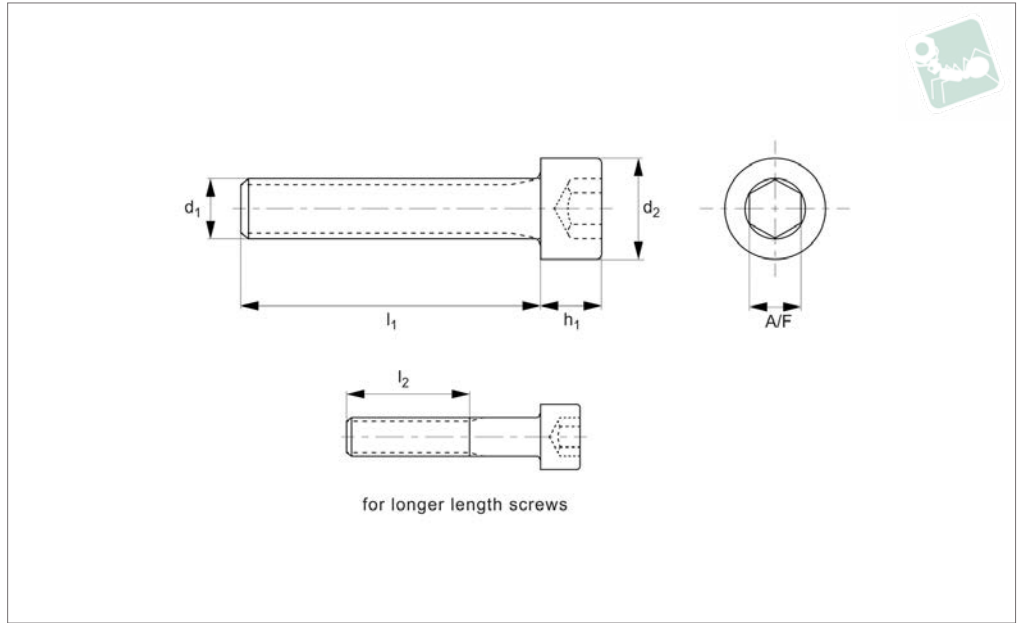
### Material

Titanium 5 (6AL-4V).

Order No.	Thread	$l_1$	$d_2$	$h_1$	$h_2$	A/F
T0019.050-016-T5-A	M 5	16.0	9.0	3.0	1.56	3.0
T0019.050-016-T5-B	M 5	16.0	10.5	3.0	1.56	3.0
T0019.050-025-T5-A	M 5	25.0	9.0	3.0	1.56	3.0
T0019.050-025-T5-B	M 5	25.0	10.5	3.0	1.56	3.0
T0019.060-016-T5-A	M 6	16.0	10.5	3.3	2.08	4.0
T0019.060-016-T5-B	M 6	16.0	16.0	3.3	2.08	4.0
T0019.060-025-T5-A	M 6	25.0	10.5	3.3	2.08	4.0
T0019.060-025-T5-B	M 6	25.0	16.0	3.3	2.08	4.0
T0019.080-020-T5-A	M 8	20.0	14.0	4.5	2.08	5.0
T0019.080-020-T5-B	M 8	20.0	16.0	4.5	2.08	5.0
T0019.080-030-T5-A	M 8	30.0	14.0	4.5	2.08	5.0
T0019.080-030-T5-B	M 8	30.0	16.0	4.5	2.08	5.0



**T0010.91T.1**



**Material**

Titanium Grade 2 (commercial grade, high corrosion resistance, strong weldability, standard strength).

**Technical Notes**

Items to DIN 912 where stated in data

table.

For the majority of screw lengths the threads goes all the way to the head of the screw (i.e.  $l_1 = l_2$ ) less 2.5 thread pitches.

For longer length screws the threaded portion  $l_2 < l_1$ .

Order No.	Finish	d <sub>1</sub>	l <sub>1</sub>	d <sub>2</sub>	h <sub>1</sub>	l <sub>2</sub>	A/F	Grade	Material	To standard
91T.020.0060.2AD	Natural	M 2	6	4.0	2.0	-	2	Comm	Ti-G2	DIN 912
91T.020.0080.2AD	Natural	M 2	8	4.0	2.0	-	2	Comm	Ti-G2	DIN 912
91T.020.0100.2AD	Natural	M 2	10	4.0	2.0	-	2	Comm	Ti-G2	DIN 912
91T.020.0120.2AD	Natural	M 2	12	4.0	2.0	-	2	Comm	Ti-G2	DIN 912
91T.020.0150.2AD	Natural	M 2	15	4.0	2.0	-	2	Comm	Ti-G2	DIN 912
91T.020.0160.2AD	Natural	M 2	16	4.0	2.0	-	2	Comm	Ti-G2	DIN 912
91T.020.0200.2AD	Natural	M 2	20	4.0	2.0	18.0	2	Comm	Ti-G2	DIN 912
91T.020.0250.2AD	Natural	M 2	25	4.0	2.0	18.0	2	Comm	Ti-G2	DIN 912
91T.020.0300.2AD	Natural	M 2	30	4.0	2.0	18.0	2	Comm	Ti-G2	DIN 912
91T.025.0060.2AD	Natural	M2,5	6	5.0	2.5	-	2	Comm	Ti-G2	DIN 912
91T.025.0080.2AD	Natural	M2,5	8	5.0	2.5	-	2	Comm	Ti-G2	DIN 912
91T.025.0100.2AD	Natural	M2,5	10	5.0	2.5	-	2	Comm	Ti-G2	DIN 912
91T.025.0120.2AD	Natural	M2,5	12	5.0	2.5	-	2	Comm	Ti-G2	DIN 912
91T.025.0150.2AD	Natural	M2,5	15	5.0	2.5	-	2	Comm	Ti-G2	DIN 912
91T.025.0160.2AD	Natural	M2,5	16	5.0	2.5	-	2	Comm	Ti-G2	DIN 912
91T.025.0200.2AD	Natural	M2,5	20	5.0	2.5	18.5	2	Comm	Ti-G2	DIN 912
91T.025.0250.2AD	Natural	M2,5	25	5.0	2.5	18.5	2	Comm	Ti-G2	DIN 912
91T.025.0300.2AD	Natural	M2,5	30	5.0	2.5	18.5	2	Comm	Ti-G2	DIN 912
91T.025.0350.2AD	Natural	M2,5	35	5.0	2.5	18.5	2	Comm	Ti-G2	DIN 912
91T.025.0400.2AD	Natural	M2,5	40	5.0	2.5	18.5	2	Comm	Ti-G2	DIN 912
91T.030.0060.2AD	Natural	M 3	6	5.5	3.0	-	2	Comm	Ti-G2	DIN 912
91T.030.0080.2AD	Natural	M 3	8	5.5	3.0	-	2	Comm	Ti-G2	DIN 912
91T.030.0100.2AD	Natural	M 3	10	5.5	3.0	-	2	Comm	Ti-G2	DIN 912
91T.030.0120.2AD	Natural	M 3	12	5.5	3.0	-	2	Comm	Ti-G2	DIN 912
91T.030.0150.2AD	Natural	M 3	15	5.5	3.0	-	2	Comm	Ti-G2	DIN 912
91T.030.0160.2AD	Natural	M 3	16	5.5	3.0	-	2	Comm	Ti-G2	DIN 912
91T.030.0200.2AD	Natural	M 3	20	5.5	3.0	19.0	2	Comm	Ti-G2	DIN 912
91T.030.0250.2AD	Natural	M 3	25	5.5	3.0	19.0	2	Comm	Ti-G2	DIN 912
91T.030.0300.2AD	Natural	M 3	30	5.5	3.0	19.0	2	Comm	Ti-G2	DIN 912
91T.030.0350.2AD	Natural	M 3	35	5.5	3.0	19.0	2	Comm	Ti-G2	DIN 912
91T.030.0400.2AD	Natural	M 3	40	5.5	3.0	19.0	2	Comm	Ti-G2	DIN 912
91T.030.0450.2AD	Natural	M 3	45	5.5	3.0	19.0	2	Comm	Ti-G2	DIN 912



# Socket Cap Screw - M2 - M6

## DIN 912 Gr.2

# Titanium

Order No.	Finish	d <sub>1</sub>	l <sub>1</sub>	d <sub>2</sub>	h <sub>1</sub>	l <sub>2</sub>	A/F	Grade	Material	To standard
91T.030.0500.2AD	Natural	M 3	50	5.5	3.0	19.0	2	Comm	Ti-G2	DIN 912
91T.030.0550.2AD	Natural	M 3	55	5.5	3.0	19.0	2	Comm	Ti-G2	DIN 912
91T.030.0600.2AD	Natural	M 3	60	5.5	3.0	19.0	2	Comm	Ti-G2	DIN 912
91T.040.0060.2AD	Natural	M 4	6	7.0	4.0	-	3	Comm	Ti-G2	DIN 912
91T.040.0080.2AD	Natural	M 4	8	7.0	4.0	-	3	Comm	Ti-G2	DIN 912
91T.040.0100.2AD	Natural	M 4	10	7.0	4.0	-	3	Comm	Ti-G2	DIN 912
91T.040.0120.2AD	Natural	M 4	12	7.0	4.0	-	3	Comm	Ti-G2	DIN 912
91T.040.0150.2AD	Natural	M 4	15	7.0	4.0	-	3	Comm	Ti-G2	DIN 912
91T.040.0160.2AD	Natural	M 4	16	7.0	4.0	-	3	Comm	Ti-G2	DIN 912
91T.040.0200.2AD	Natural	M 4	20	7.0	4.0	20.0	3	Comm	Ti-G2	DIN 912
91T.040.0250.2AD	Natural	M 4	25	7.0	4.0	20.0	3	Comm	Ti-G2	DIN 912
91T.040.0300.2AD	Natural	M 4	30	7.0	4.0	20.0	3	Comm	Ti-G2	DIN 912
91T.040.0350.2AD	Natural	M 4	35	7.0	4.0	20.0	3	Comm	Ti-G2	DIN 912
91T.040.0400.2AD	Natural	M 4	40	7.0	4.0	20.0	3	Comm	Ti-G2	DIN 912
91T.040.0450.2AD	Natural	M 4	45	7.0	4.0	20.0	3	Comm	Ti-G2	DIN 912
91T.040.0500.2AD	Natural	M 4	50	7.0	4.0	20.0	3	Comm	Ti-G2	DIN 912
91T.040.0550.2AD	Natural	M 4	55	7.0	4.0	20.0	3	Comm	Ti-G2	DIN 912
91T.040.0600.2AD	Natural	M 4	60	7.0	4.0	20.0	3	Comm	Ti-G2	DIN 912
91T.040.0650.2AD	Natural	M 4	65	7.0	4.0	20.0	3	Comm	Ti-G2	DIN 912
91T.040.0700.2AD	Natural	M 4	70	7.0	4.0	20.0	3	Comm	Ti-G2	DIN 912
91T.040.0750.2AD	Natural	M 4	75	7.0	4.0	20.0	3	Comm	Ti-G2	DIN 912
91T.040.0800.2AD	Natural	M 4	80	7.0	4.0	20.0	3	Comm	Ti-G2	DIN 912
91T.050.0060.2AD	Natural	M 5	6	8.5	5.0	-	4	Comm	Ti-G2	DIN 912
91T.050.0080.2AD	Natural	M 5	8	8.5	5.0	-	4	Comm	Ti-G2	DIN 912
91T.050.0100.2AD	Natural	M 5	10	8.5	5.0	-	4	Comm	Ti-G2	DIN 912
91T.050.0120.2AD	Natural	M 5	12	8.5	5.0	-	4	Comm	Ti-G2	DIN 912
91T.050.0150.2AD	Natural	M 5	15	8.5	5.0	-	4	Comm	Ti-G2	DIN 912
91T.050.0160.2AD	Natural	M 5	16	8.5	5.0	-	4	Comm	Ti-G2	DIN 912
91T.050.0200.2AD	Natural	M 5	20	8.5	5.0	-	4	Comm	Ti-G2	DIN 912
91T.050.0250.2AD	Natural	M 5	25	8.5	5.0	22.0	4	Comm	Ti-G2	DIN 912
91T.050.0300.2AD	Natural	M 5	30	8.5	5.0	22.0	4	Comm	Ti-G2	DIN 912
91T.050.0350.2AD	Natural	M 5	35	8.5	5.0	22.0	4	Comm	Ti-G2	DIN 912
91T.050.0400.2AD	Natural	M 5	40	8.5	5.0	22.0	4	Comm	Ti-G2	DIN 912
91T.050.0450.2AD	Natural	M 5	45	8.5	5.0	22.0	4	Comm	Ti-G2	DIN 912
91T.050.0500.2AD	Natural	M 5	50	8.5	5.0	22.0	4	Comm	Ti-G2	DIN 912
91T.050.0550.2AD	Natural	M 5	55	8.5	5.0	22.0	4	Comm	Ti-G2	DIN 912
91T.050.0600.2AD	Natural	M 5	60	8.5	5.0	22.0	4	Comm	Ti-G2	DIN 912
91T.050.0650.2AD	Natural	M 5	65	8.5	5.0	22.0	4	Comm	Ti-G2	DIN 912
91T.050.0700.2AD	Natural	M 5	70	8.5	5.0	22.0	4	Comm	Ti-G2	DIN 912
91T.050.0750.2AD	Natural	M 5	75	8.5	5.0	22.0	4	Comm	Ti-G2	DIN 912
91T.050.0800.2AD	Natural	M 5	80	8.5	5.0	22.0	4	Comm	Ti-G2	DIN 912
91T.050.0850.2AD	Natural	M 5	85	8.5	5.0	22.0	4	Comm	Ti-G2	DIN 912
91T.050.0900.2AD	Natural	M 5	90	8.5	5.0	22.0	4	Comm	Ti-G2	DIN 912
91T.050.0950.2AD	Natural	M 5	95	8.5	5.0	22.0	4	Comm	Ti-G2	DIN 912
91T.050.1000.2AD	Natural	M 5	100	8.5	5.0	22.0	4	Comm	Ti-G2	DIN 912
91T.060.0060.2AD	Natural	M 6	6	10.0	6.0	-	5	Comm	Ti-G2	DIN 912
91T.060.0080.2AD	Natural	M 6	8	10.0	6.0	-	5	Comm	Ti-G2	DIN 912
91T.060.0100.2AD	Natural	M 6	10	10.0	6.0	-	5	Comm	Ti-G2	DIN 912
91T.060.0120.2AD	Natural	M 6	12	10.0	6.0	-	5	Comm	Ti-G2	DIN 912
91T.060.0150.2AD	Natural	M 6	15	10.0	6.0	-	5	Comm	Ti-G2	DIN 912
91T.060.0160.2AD	Natural	M 6	16	10.0	6.0	-	5	Comm	Ti-G2	DIN 912
91T.060.0200.2AD	Natural	M 6	20	10.0	6.0	-	5	Comm	Ti-G2	DIN 912
91T.060.0250.2AD	Natural	M 6	25	10.0	6.0	24.0	5	Comm	Ti-G2	DIN 912
91T.060.0300.2AD	Natural	M 6	30	10.0	6.0	24.0	5	Comm	Ti-G2	DIN 912
91T.060.0350.2AD	Natural	M 6	35	10.0	6.0	24.0	5	Comm	Ti-G2	DIN 912
91T.060.0400.2AD	Natural	M 6	40	10.0	6.0	24.0	5	Comm	Ti-G2	DIN 912
91T.060.0450.2AD	Natural	M 6	45	10.0	6.0	24.0	5	Comm	Ti-G2	DIN 912
91T.060.0500.2AD	Natural	M 6	50	10.0	6.0	24.0	5	Comm	Ti-G2	DIN 912
91T.060.0550.2AD	Natural	M 6	55	10.0	6.0	24.0	5	Comm	Ti-G2	DIN 912
91T.060.0600.2AD	Natural	M 6	60	10.0	6.0	24.0	5	Comm	Ti-G2	DIN 912
91T.060.0650.2AD	Natural	M 6	65	10.0	6.0	24.0	5	Comm	Ti-G2	DIN 912
91T.060.0700.2AD	Natural	M 6	70	10.0	6.0	24.0	5	Comm	Ti-G2	DIN 912
91T.060.0750.2AD	Natural	M 6	75	10.0	6.0	24.0	5	Comm	Ti-G2	DIN 912
91T.060.0800.2AD	Natural	M 6	80	10.0	6.0	24.0	5	Comm	Ti-G2	DIN 912
91T.060.0850.2AD	Natural	M 6	85	10.0	6.0	24.0	5	Comm	Ti-G2	DIN 912
91T.060.0900.2AD	Natural	M 6	90	10.0	6.0	24.0	5	Comm	Ti-G2	DIN 912
91T.060.0950.2AD	Natural	M 6	95	10.0	6.0	24.0	5	Comm	Ti-G2	DIN 912
91T.060.1000.2AD	Natural	M 6	100	10.0	6.0	24.0	5	Comm	Ti-G2	DIN 912
91T.060.1100.2AD	Natural	M 6	110	10.0	6.0	24.0	5	Comm	Ti-G2	DIN 912

TITANIUM



Order No.	Finish	d <sub>1</sub>	l <sub>1</sub>	d <sub>2</sub>	h <sub>1</sub>	l <sub>2</sub>	A/F	Grade	Material	To standard
91T.060.1200.2AD	Natural	M 6	120	10.0	6.0	24.0	5	Comm	Ti-G2	DIN 912
91T.060.1300.2AD	Natural	M 6	130	10.0	6.0	24.0	5	Comm	Ti-G2	DIN 912
91T.060.1400.2AD	Natural	M 6	140	10.0	6.0	24.0	5	Comm	Ti-G2	DIN 912
91T.060.1500.2AD	Natural	M 6	150	10.0	6.0	24.0	5	Comm	Ti-G2	DIN 912
91T.080.0100.2AD	Natural	M 8	10	13.0	8.0	-	6	Comm	Ti-G2	DIN 912
91T.080.0120.2AD	Natural	M 8	12	13.0	8.0	-	6	Comm	Ti-G2	DIN 912
91T.080.0150.2AD	Natural	M 8	15	13.0	8.0	-	6	Comm	Ti-G2	DIN 912
91T.080.0160.2AD	Natural	M 8	16	13.0	8.0	-	6	Comm	Ti-G2	DIN 912
91T.080.0200.2AD	Natural	M 8	20	13.0	8.0	-	6	Comm	Ti-G2	DIN 912
91T.080.0250.2AD	Natural	M 8	25	13.0	8.0	-	6	Comm	Ti-G2	DIN 912
91T.080.0300.2AD	Natural	M 8	30	13.0	8.0	28.0	6	Comm	Ti-G2	DIN 912
91T.080.0350.2AD	Natural	M 8	35	13.0	8.0	28.0	6	Comm	Ti-G2	DIN 912
91T.080.0400.2AD	Natural	M 8	40	13.0	8.0	28.0	6	Comm	Ti-G2	DIN 912
91T.080.0450.2AD	Natural	M 8	45	13.0	8.0	28.0	6	Comm	Ti-G2	DIN 912
91T.080.0500.2AD	Natural	M 8	50	13.0	8.0	28.0	6	Comm	Ti-G2	DIN 912
91T.080.0550.2AD	Natural	M 8	55	13.0	8.0	28.0	6	Comm	Ti-G2	DIN 912
91T.080.0600.2AD	Natural	M 8	60	13.0	8.0	28.0	6	Comm	Ti-G2	DIN 912
91T.080.0650.2AD	Natural	M 8	65	13.0	8.0	28.0	6	Comm	Ti-G2	DIN 912
91T.080.0700.2AD	Natural	M 8	70	13.0	8.0	28.0	6	Comm	Ti-G2	DIN 912
91T.080.0750.2AD	Natural	M 8	75	13.0	8.0	28.0	6	Comm	Ti-G2	DIN 912
91T.080.0800.2AD	Natural	M 8	80	13.0	8.0	28.0	6	Comm	Ti-G2	DIN 912

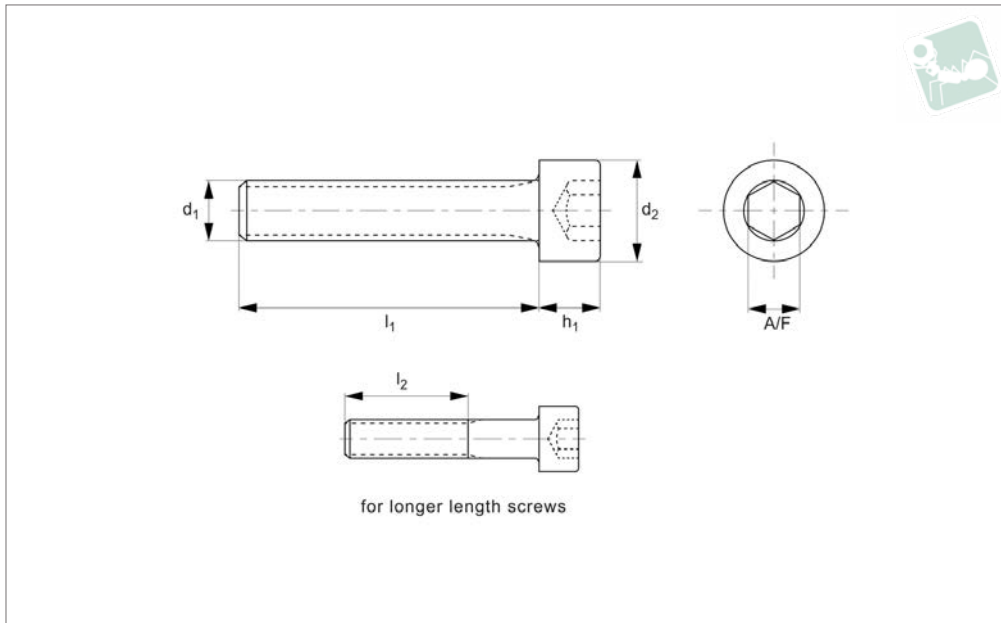




# Socket Cap Screw - M8 - M20

DIN 912 Gr.2

Titanium



**T0010.91T.2**

TITANIUM

### Material

Titanium Grade 2 (commercial grade, high corrosion resistance, strong weldability, standard strength).

### Technical Notes

Items to DIN 912 where stated in data

table.

For the majority of screw lengths the threads goes all the way to the head of the screw (i.e.  $l_1 = l_2$ ) less 2.5 thread pitches.

For longer length screws the threaded portion  $l_2 < l_1$ .

Order No.	Finish	d <sub>1</sub>	l <sub>1</sub>	d <sub>2</sub>	h <sub>1</sub>	l <sub>2</sub>	A/F	Grade	Material	To standard
91T.080.0850.2AD	Natural	M 8	85	13	8	28	6	Comm	Ti-G2	DIN 912
91T.080.0900.2AD	Natural	M 8	90	13	8	28	6	Comm	Ti-G2	DIN 912
91T.080.0950.2AD	Natural	M 8	95	13	8	28	6	Comm	Ti-G2	DIN 912
91T.080.1000.2AD	Natural	M 8	100	13	8	28	6	Comm	Ti-G2	DIN 912
91T.080.1100.2AD	Natural	M 8	110	13	8	28	6	Comm	Ti-G2	DIN 912
91T.080.1200.2AD	Natural	M 8	120	13	8	28	6	Comm	Ti-G2	DIN 912
91T.080.1300.2AD	Natural	M 8	130	13	8	28	6	Comm	Ti-G2	DIN 912
91T.080.1400.2AD	Natural	M 8	140	13	8	28	6	Comm	Ti-G2	DIN 912
91T.080.1500.2AD	Natural	M 8	150	13	8	28	6	Comm	Ti-G2	DIN 912
91T.100.0150.2AD	Natural	M10	15	16	10	-	8	Comm	Ti-G2	DIN 912
91T.100.0160.2AD	Natural	M10	16	16	10	-	8	Comm	Ti-G2	DIN 912
91T.100.0200.2AD	Natural	M10	20	16	10	-	8	Comm	Ti-G2	DIN 912
91T.100.0250.2AD	Natural	M10	25	16	10	-	8	Comm	Ti-G2	DIN 912
91T.100.0300.2AD	Natural	M10	30	16	10	-	8	Comm	Ti-G2	DIN 912
91T.100.0350.2AD	Natural	M10	35	16	10	32	8	Comm	Ti-G2	DIN 912
91T.100.0400.2AD	Natural	M10	40	16	10	32	8	Comm	Ti-G2	DIN 912
91T.100.0450.2AD	Natural	M10	45	16	10	32	8	Comm	Ti-G2	DIN 912
91T.100.0500.2AD	Natural	M10	50	16	10	32	8	Comm	Ti-G2	DIN 912
91T.100.0550.2AD	Natural	M10	55	16	10	32	8	Comm	Ti-G2	DIN 912
91T.100.0600.2AD	Natural	M10	60	16	10	32	8	Comm	Ti-G2	DIN 912
91T.100.0650.2AD	Natural	M10	65	16	10	32	8	Comm	Ti-G2	DIN 912
91T.100.0700.2AD	Natural	M10	70	16	10	32	8	Comm	Ti-G2	DIN 912
91T.100.0750.2AD	Natural	M10	75	16	10	32	8	Comm	Ti-G2	DIN 912
91T.100.0800.2AD	Natural	M10	80	16	10	32	8	Comm	Ti-G2	DIN 912
91T.100.0850.2AD	Natural	M10	85	16	10	32	8	Comm	Ti-G2	DIN 912
91T.100.0900.2AD	Natural	M10	90	16	10	32	8	Comm	Ti-G2	DIN 912
91T.100.0950.2AD	Natural	M10	95	16	10	32	8	Comm	Ti-G2	DIN 912
91T.100.1000.2AD	Natural	M10	100	16	10	32	8	Comm	Ti-G2	DIN 912
91T.100.1100.2AD	Natural	M10	110	16	10	32	8	Comm	Ti-G2	DIN 912
91T.100.1200.2AD	Natural	M10	120	16	10	32	8	Comm	Ti-G2	DIN 912
91T.100.1300.2AD	Natural	M10	130	16	10	32	8	Comm	Ti-G2	DIN 912
91T.100.1400.2AD	Natural	M10	140	16	10	32	8	Comm	Ti-G2	DIN 912



Order No.	Finish	d <sub>1</sub>	l <sub>1</sub>	d <sub>2</sub>	h <sub>1</sub>	l <sub>2</sub>	A/F	Grade	Material	To standard
91T.100.1500.2AD	Natural	M10	150	16	10	32	8	Comm	Ti-G2	DIN 912
91T.120.0200.2AD	Natural	M12	20	19	12	34	10	Comm	Ti-G2	DIN 912
91T.120.0250.2AD	Natural	M12	25	19	12	34	10	Comm	Ti-G2	DIN 912
91T.120.0300.2AD	Natural	M12	30	19	12	34	10	Comm	Ti-G2	DIN 912
91T.120.0350.2AD	Natural	M12	35	19	12	34	10	Comm	Ti-G2	DIN 912
91T.120.0400.2AD	Natural	M12	40	19	12	34	10	Comm	Ti-G2	DIN 912
91T.120.0450.2AD	Natural	M12	45	19	12	34	10	Comm	Ti-G2	DIN 912
91T.120.0500.2AD	Natural	M12	50	19	12	34	10	Comm	Ti-G2	DIN 912
91T.120.0550.2AD	Natural	M12	55	19	12	34	10	Comm	Ti-G2	DIN 912
91T.120.0600.2AD	Natural	M12	60	19	12	34	10	Comm	Ti-G2	DIN 912
91T.120.0650.2AD	Natural	M12	65	19	12	34	10	Comm	Ti-G2	DIN 912
91T.120.0700.2AD	Natural	M12	70	19	12	34	10	Comm	Ti-G2	DIN 912
91T.120.0750.2AD	Natural	M12	75	19	12	34	10	Comm	Ti-G2	DIN 912
91T.120.0800.2AD	Natural	M12	80	19	12	34	10	Comm	Ti-G2	DIN 912
91T.120.0850.2AD	Natural	M12	85	19	12	34	10	Comm	Ti-G2	DIN 912
91T.120.0900.2AD	Natural	M12	90	19	12	34	10	Comm	Ti-G2	DIN 912
91T.120.0950.2AD	Natural	M12	95	19	12	34	10	Comm	Ti-G2	DIN 912
91T.120.1000.2AD	Natural	M12	100	19	12	34	10	Comm	Ti-G2	DIN 912
91T.120.1100.2AD	Natural	M12	110	19	12	34	10	Comm	Ti-G2	DIN 912
91T.120.1200.2AD	Natural	M12	120	19	12	34	10	Comm	Ti-G2	DIN 912
91T.120.1300.2AD	Natural	M12	130	19	12	34	10	Comm	Ti-G2	DIN 912
91T.120.1400.2AD	Natural	M12	140	19	12	34	10	Comm	Ti-G2	DIN 912
91T.120.1500.2AD	Natural	M12	150	19	12	34	10	Comm	Ti-G2	DIN 912
91T.140.0200.2AD	Natural	M14	20	22	14	36	12	Comm	Ti-G2	DIN 912
91T.140.0250.2AD	Natural	M14	25	22	14	36	12	Comm	Ti-G2	DIN 912
91T.140.0300.2AD	Natural	M14	30	22	14	36	12	Comm	Ti-G2	DIN 912
91T.140.0350.2AD	Natural	M14	35	22	14	36	12	Comm	Ti-G2	DIN 912
91T.140.0400.2AD	Natural	M14	40	22	14	36	12	Comm	Ti-G2	DIN 912
91T.140.0450.2AD	Natural	M14	45	22	14	36	12	Comm	Ti-G2	DIN 912
91T.140.0500.2AD	Natural	M14	50	22	14	36	12	Comm	Ti-G2	DIN 912
91T.140.0550.2AD	Natural	M14	55	22	14	36	12	Comm	Ti-G2	DIN 912
91T.140.0600.2AD	Natural	M14	60	22	14	36	12	Comm	Ti-G2	DIN 912
91T.140.0650.2AD	Natural	M14	65	22	14	36	12	Comm	Ti-G2	DIN 912
91T.140.0700.2AD	Natural	M14	70	22	14	36	12	Comm	Ti-G2	DIN 912
91T.140.0750.2AD	Natural	M14	75	22	14	36	12	Comm	Ti-G2	DIN 912
91T.140.0800.2AD	Natural	M14	80	22	14	36	12	Comm	Ti-G2	DIN 912
91T.140.0850.2AD	Natural	M14	85	22	14	36	12	Comm	Ti-G2	DIN 912
91T.140.0900.2AD	Natural	M14	90	22	14	36	12	Comm	Ti-G2	DIN 912
91T.140.0950.2AD	Natural	M14	95	22	14	36	12	Comm	Ti-G2	DIN 912
91T.140.1000.2AD	Natural	M14	100	22	14	36	12	Comm	Ti-G2	DIN 912
91T.140.1100.2AD	Natural	M14	110	22	14	36	12	Comm	Ti-G2	DIN 912
91T.140.1200.2AD	Natural	M14	120	22	14	36	12	Comm	Ti-G2	DIN 912
91T.140.1300.2AD	Natural	M14	130	22	14	36	12	Comm	Ti-G2	DIN 912
91T.140.1400.2AD	Natural	M14	140	22	14	36	12	Comm	Ti-G2	DIN 912
91T.140.1500.2AD	Natural	M14	150	22	14	36	12	Comm	Ti-G2	DIN 912
91T.160.0200.2AD	Natural	M16	20	25	16	38	14	Comm	Ti-G2	DIN 912
91T.160.0250.2AD	Natural	M16	25	25	16	38	14	Comm	Ti-G2	DIN 912
91T.160.0300.2AD	Natural	M16	30	25	16	38	14	Comm	Ti-G2	DIN 912
91T.160.0350.2AD	Natural	M16	35	25	16	38	14	Comm	Ti-G2	DIN 912
91T.160.0400.2AD	Natural	M16	40	25	16	38	14	Comm	Ti-G2	DIN 912
91T.160.0450.2AD	Natural	M16	45	25	16	38	14	Comm	Ti-G2	DIN 912
91T.160.0500.2AD	Natural	M16	50	25	16	38	14	Comm	Ti-G2	DIN 912
91T.160.0550.2AD	Natural	M16	55	25	16	38	14	Comm	Ti-G2	DIN 912
91T.160.0600.2AD	Natural	M16	60	25	16	38	14	Comm	Ti-G2	DIN 912
91T.160.0650.2AD	Natural	M16	65	25	16	38	14	Comm	Ti-G2	DIN 912
91T.160.0700.2AD	Natural	M16	70	25	16	38	14	Comm	Ti-G2	DIN 912
91T.160.0750.2AD	Natural	M16	75	25	16	38	14	Comm	Ti-G2	DIN 912
91T.160.0800.2AD	Natural	M16	80	25	16	38	14	Comm	Ti-G2	DIN 912
91T.160.0850.2AD	Natural	M16	85	25	16	38	14	Comm	Ti-G2	DIN 912
91T.160.0900.2AD	Natural	M16	90	25	16	38	14	Comm	Ti-G2	DIN 912
91T.160.0950.2AD	Natural	M16	95	25	16	38	14	Comm	Ti-G2	DIN 912
91T.160.1000.2AD	Natural	M16	100	25	16	38	14	Comm	Ti-G2	DIN 912
91T.160.1100.2AD	Natural	M16	110	25	16	38	14	Comm	Ti-G2	DIN 912
91T.160.1200.2AD	Natural	M16	120	25	16	38	14	Comm	Ti-G2	DIN 912
91T.160.1300.2AD	Natural	M16	130	25	16	38	14	Comm	Ti-G2	DIN 912
91T.160.1400.2AD	Natural	M16	140	25	16	38	14	Comm	Ti-G2	DIN 912
91T.160.1500.2AD	Natural	M16	150	25	16	38	14	Comm	Ti-G2	DIN 912
91T.200.0200.2AD	Natural	M20	20	31	20	42	18	Comm	Ti-G2	DIN 912
91T.200.0250.2AD	Natural	M20	25	31	20	42	18	Comm	Ti-G2	DIN 912



# Socket Cap Screw - M8 - M20

DIN 912 Gr.2

## Titanium

Order No.	Finish	d <sub>1</sub>	l <sub>1</sub>	d <sub>2</sub>	h <sub>1</sub>	l <sub>2</sub>	A/F	Grade	Material	To standard
91T.200.0300.2AD	Natural	M20	30	31	20	42	18	Comm	Ti-G2	DIN 912
91T.200.0350.2AD	Natural	M20	35	31	20	42	18	Comm	Ti-G2	DIN 912
91T.200.0400.2AD	Natural	M20	40	31	20	42	18	Comm	Ti-G2	DIN 912
91T.200.0450.2AD	Natural	M20	45	31	20	42	18	Comm	Ti-G2	DIN 912
91T.200.0500.2AD	Natural	M20	50	31	20	42	18	Comm	Ti-G2	DIN 912
91T.200.0550.2AD	Natural	M20	55	31	20	42	18	Comm	Ti-G2	DIN 912
91T.200.0600.2AD	Natural	M20	60	31	20	42	18	Comm	Ti-G2	DIN 912
91T.200.0650.2AD	Natural	M20	65	31	20	42	18	Comm	Ti-G2	DIN 912
91T.200.0700.2AD	Natural	M20	70	31	20	42	18	Comm	Ti-G2	DIN 912
91T.200.0750.2AD	Natural	M20	75	31	20	42	18	Comm	Ti-G2	DIN 912
91T.200.0800.2AD	Natural	M20	80	31	20	42	18	Comm	Ti-G2	DIN 912
91T.200.0850.2AD	Natural	M20	85	31	20	42	18	Comm	Ti-G2	DIN 912
91T.200.0900.2AD	Natural	M20	90	31	20	42	18	Comm	Ti-G2	DIN 912
91T.200.0950.2AD	Natural	M20	95	31	20	42	18	Comm	Ti-G2	DIN 912
91T.200.1000.2AD	Natural	M20	100	31	20	42	18	Comm	Ti-G2	DIN 912
91T.200.1100.2AD	Natural	M20	110	31	20	42	18	Comm	Ti-G2	DIN 912
91T.200.1200.2AD	Natural	M20	120	31	20	42	18	Comm	Ti-G2	DIN 912
91T.200.1300.2AD	Natural	M20	130	31	20	42	18	Comm	Ti-G2	DIN 912
91T.200.1400.2AD	Natural	M20	140	31	20	42	18	Comm	Ti-G2	DIN 912
91T.200.1500.2AD	Natural	M20	150	31	20	42	18	Comm	Ti-G2	DIN 912

TITANIUM