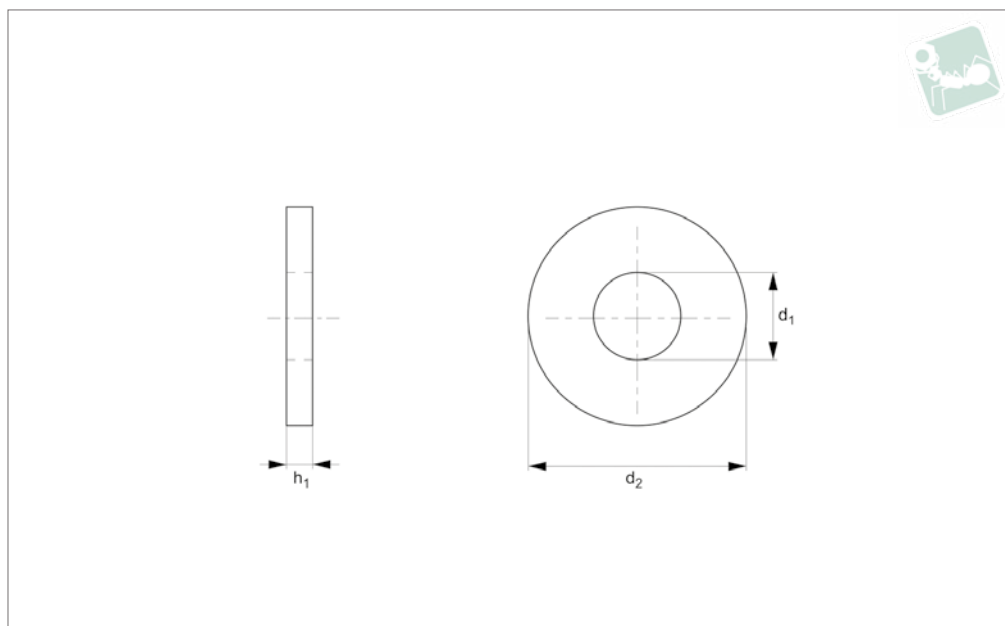




# Flat Washers

DIN 125 A

## Titanium



### T0400.12T

TITANIUM

#### Material

Titanium Grade 2 (commercial grade, high corrosion resistance, strong weldability,

standard strength).

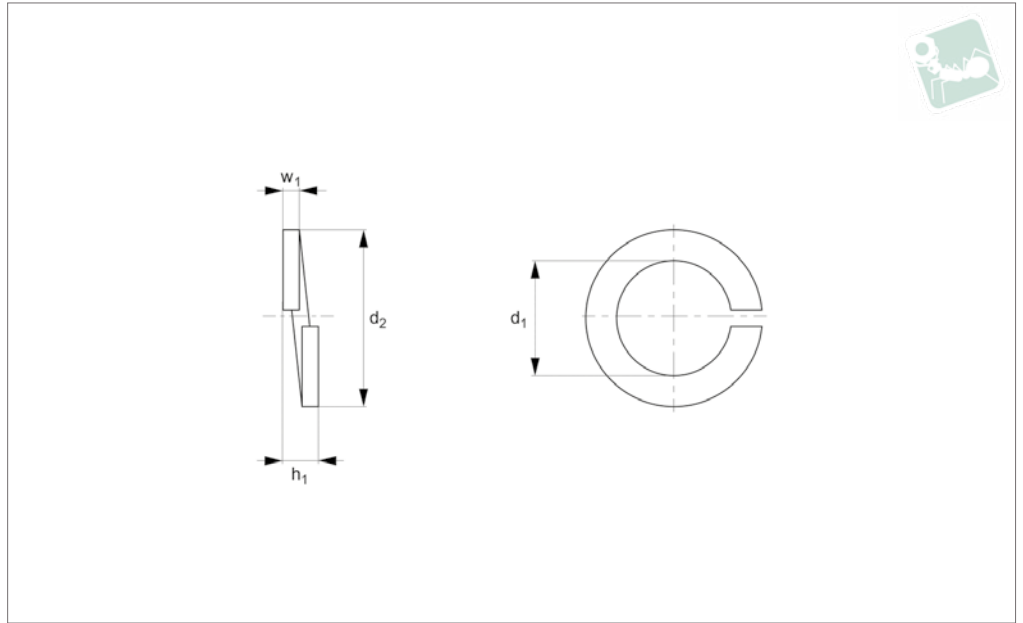
Titanium Grade 5 (aerospace grade Ti 6Al-4V Titanium alloy, good strength to weight

ratio, corrosion resistant ).

Order No.	For thread	d <sub>1</sub>	d <sub>2</sub>	h <sub>1</sub>	Material
12T.020.0050.2AD	M 2	2.2	5	0.3	Grade 2
12T.030.0070.2AD	M 3	3.2	7	0.5	Grade 2
12T.035.0080.2AD	M 3,5	3.7	8	0.5	Grade 2
12T.040.0090.2AD	M 4	4.3	9	0.9	Grade 2
12T.050.0100.2AD	M 5	5.3	10	1.1	Grade 2
12T.060.0120.2AD	M 6	6.4	12	1.5	Grade 2
12T.080.0160.2AD	M 8	8.4	16	1.5	Grade 2
12T.100.0200.2AD	M10	10.5	20	2.2	Grade 2
12T.120.0240.2AD	M12	13.0	24	2.7	Grade 2
12T.140.0280.2AD	M14	15.0	28	2.7	Grade 2
12T.160.0300.2AD	M16	17.0	30	3.3	Grade 2
12T.220.0390.2AD	M22	23.0	39	3.3	Grade 2
12T.240.0440.2AD	M24	25.0	44	4.3	Grade 2
12T.300.0560.2AD	M30	31.0	56	4.3	Grade 2
12T.020.0050.5AD	M 2	2.2	5	0.3	Grade 5
12T.030.0070.5AD	M 3	3.2	7	0.5	Grade 5
12T.035.0080.5AD	M3,5	3.7	8	0.5	Grade 5
12T.040.0090.5AD	M 4	4.3	9	0.9	Grade 5
12T.050.0100.5AD	M 5	5.3	10	1.1	Grade 5
12T.060.0120.5AD	M 6	6.4	12	1.5	Grade 5
12T.080.0160.5AD	M 8	8.4	16	1.5	Grade 5
12T.100.0200.5AD	M10	10.5	20	2.2	Grade 5
12T.120.0240.5AD	M12	13.0	24	2.7	Grade 5
12T.140.0280.5AD	M14	15.0	28	2.7	Grade 5
12T.160.0300.5AD	M16	17.0	30	3.3	Grade 5
12T.220.0390.5AD	M22	23.0	39	3.3	Grade 5
12T.240.0440.5AD	M24	25.0	44	4.3	Grade 5
12T.300.0560.5AD	M30	31.0	56	4.3	Grade 5



T0403



TITANIUM

**Material**

Titanium G2 and Titanium 5.

**Technical Notes**

DIN 127

Order No.	d <sub>1</sub>	d <sub>2</sub> max.	w <sub>1</sub>	h <sub>1</sub>	Material
T0403.030-T2	M 3	6.2	-	1.9	Titanium G2
T0403.040-T2	M 4	8.0	0.9	2.5	Titanium G2
T0403.050-T2	M 5	10.0	1.2	3.2	Titanium G2
T0403.060-T2	M 6	12.0	1.6	4.2	Titanium G2
T0403.080-T2	M 8	16.0	2.0	5.4	Titanium G2
T0403.100-T2	M10	20.0	2.2	5.9	Titanium G2
T0403.200-T2	M20	21.1	-	5.9	Titanium G2
T0403.030-T5	M 3	6.2	-	1.9	Titanium 5
T0403.040-T5	M 4	8.0	0.9	2.5	Titanium 5
T0403.050-T5	M 5	10.0	1.2	3.2	Titanium 5
T0403.060-T5	M 6	12.0	1.6	4.2	Titanium 5
T0403.080-T5	M 8	16.0	2.0	5.4	Titanium 5
T0403.100-T5	M10	20.0	2.2	5.9	Titanium 5
T0403.200-T5	M20	21.1	-	5.9	Titanium 5
T0403.140-T5	M14	24.1	-	7.1	Titanium 5
T0403.160-T5	M16	27.4	-	8.3	Titanium 5
T0403.140-T2	M14	24.1	-	7.1	Titanium G2
T0403.160-T2	M16	27.4	-	8.3	Titanium G2