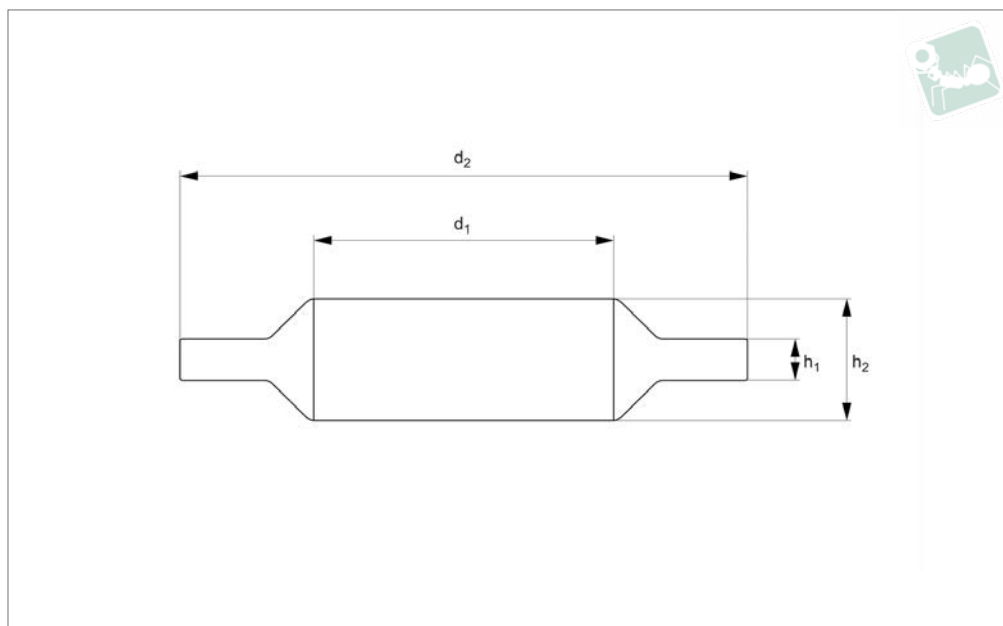




Locking and Sealing Washers

Locking and Sealing

Nylon



N0420.15N

NYLON

Material

Nylon 66 (PA 6/66), standard.

Technical Notes

DIN norms were created for metal parts, the dimensions of our plastic DIN equivalents are close to the norm but do not

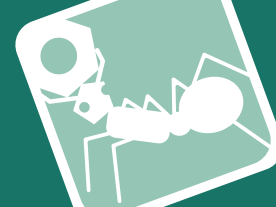
follow the strict tolerances typically relevant to metal parts.

Many Nylon parts are available in dyed black, this subject to a minimum value and process charge, please contact us for further details.

Dyed black colour is not long term UV stable. Nylon parts offer good electrical insulation, is resistant to corrosion and most dilute acids.

Nylon protects work surfaces and absorbs shocks and vibrations.

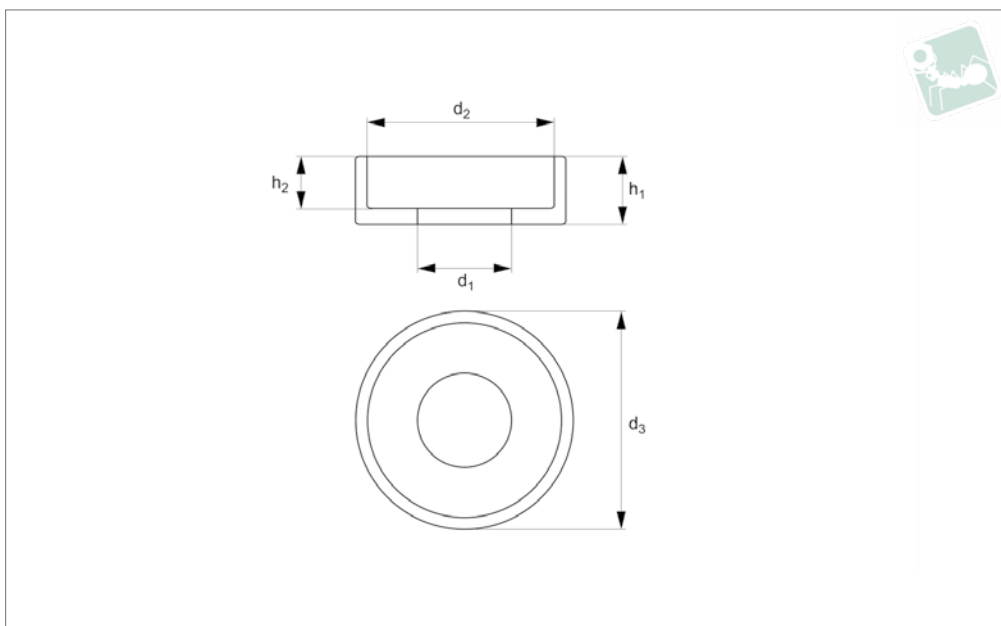
Order No.	For thread	For thread inch	d_1	d_2	h_1	h_2	Material	Grade	Finish
15N.030.0070.0A	M 3	1/8"	3.1	7.0	0.7	1.4	PA-6/66	Std	Natural
15N.040.0090.0A	M 4	5/32"	4.1	9.0	1.25	2.8	PA-6/66	Std	Natural
15N.050.0104.0A	M 5	3/16"	5.1	10.4	1.4	3.5	PA-6/66	Std	Natural
15N.060.0120.0A	M 6	-	6.1	12.0	1.6	4.0	PA-6/66	Std	Natural
15N.060.0107.0A	M 6	-	6.4	10.7	1.0	3.7	PA-6/66	Std	Natural
15N.080.0158.0A	M 8	5/16"	8.1	15.8	2.1	4.6	PA-6/66	Std	Natural
15N.100.0196.0A	M10	3/8"	10.0	19.6	2.1	5.3	PA-6/66	Std	Natural
15N.100.0178.0A	M10	-	10.3	17.8	2.1	5.0	PA-6/66	Std	Natural
15N.120.0220.0A	M12	7/16"	12.0	22.0	2.3	5.8	PA-6/66	Std	Natural
15N.140.0252.0A	M14	9/16"	14.0	25.2	2.5	5.5	PA-6/66	Std	Natural
15N.160.0294.0A	M16	5/8"	16.2	29.4	2.6	6.2	PA-6/66	Std	Natural
15N.180.0315.0A	M18	3/4"	18.1	31.5	2.7	6.9	PA-6/66	Std	Natural
15N.200.0355.0A	M20	-	20.2	35.5	2.8	6.9	PA-6/66	Std	Natural
15N.200.0315.0A	M20	-	20.3	31.5	2.7	7.0	PA-6/66	Std	Natural
15N.220.0360.0A	M22	7/8"	22.5	36.0	2.5	6.0	PA-6/66	Std	Natural
15N.240.0378.0A	M24	-	24.3	37.8	3.0	7.9	PA-6/66	Std	Natural
15N.270.0400.0A	M27	-	27.3	40.0	3.1	7.9	PA-6/66	Std	Natural
15N.300.0492.0A	M30	1 1/8"	30.2	49.2	3.2	9.3	PA-6/66	Std	Natural
15N.330.0501.0A	M33	1 1/4"	33.2	50.1	3.4	9.5	PA-6/66	Std	Natural
15N.360.0640.0A	M36	1 3/8"	36.4	64.0	3.8	11.8	PA-6/66	Std	Natural
15N.390.0690.0A	M39	1 1/2"	39.2	69.0	3.8	10.3	PA-6/66	Std	Natural
15N.1/2.0230.0A	-	1/2"	12.8	23.0	2.2	5.5	PA-6/66	Std	Natural
15N.3/4.0315.0A	-	3/4"	19.2	31.5	2.7	6.9	PA-6/66	Std	Natural
15N.1.0450.0A	-	1"	25.6	45.0	3.0	8.0	PA-6/66	Std	Natural
15N.R3/4.0340.0A	-	R3/4"	26.5	34.0	2.0	5.6	PA-6/66	Std	Natural



NYLON



N0431.31N



Material

Nylon 66 (PA 6/66), standard. Natural or black.

Technical Notes

Cup finishing washers for use with cheese

head screws.

Nylon parts offer good electrical insulation, is resistant to corrosion and most dilute acids.

Nylon protects work surfaces and absorbs

shocks and vibrations.

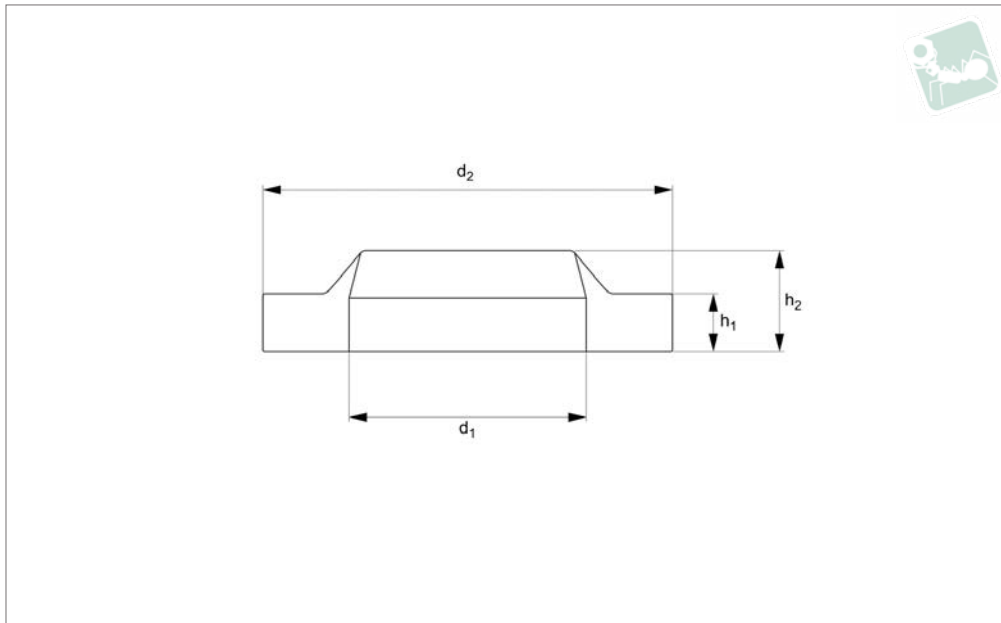
Order No.	For thread	d ₁	d ₂	d ₃	h ₁	h ₂	Material	Grade	Finish
31N.003.085.0A	M 3	3.0	6.0	8.5	2.2	1.2	PA-6/66	Std.	Natural
31N.004.105.0A	M 4	4.3	8.0	10.5	2.8	1.7	PA-6/66	Std.	Natural
31N.005.127.0A	M 5	5.3	10.0	12.7	3.4	2.2	PA-6/66	Std.	Natural
31N.006.139.0A	M 6	6.4	12.3	13.9	3.3	2.3	PA-6/66	Std.	Natural
31N.006.150.0A	M 6	6.5	11.9	15.0	4.0	2.6	PA-6/66	Std.	Natural
31N.008.200.0A	M 8	8.4	16.0	20.0	5.0	3.5	PA-6/66	Std.	Natural
31N.003.085.0B	M 3	3.0	6.0	8.5	2.2	1.2	PA-6/66	Std.	Black
31N.004.105.0B	M 4	4.3	8.0	10.5	2.8	1.7	PA-6/66	Std.	Black
31N.005.127.0B	M 5	5.3	10.0	12.7	3.4	2.2	PA-6/66	Std.	Black
31N.006.139.0B	M 6	6.4	12.3	13.9	3.3	2.3	PA-6/66	Std.	Black
31N.006.150.0B	M 6	6.5	11.9	15.0	4.0	2.6	PA-6/66	Std.	Black
31N.008.200.0B	M 8	8.4	16.0	20.0	5.0	3.5	PA-6/66	Std.	Black



Anti-Loss Washer

Anti-Loss

Nylon



N0430.18N

NYLON

Material

Nylon 66 (PA 6/66), standard.

Technical Notes

Anti-loss washer's tapered design results in tapered part clinching into the pitch of the thread, and hence preventing loss.

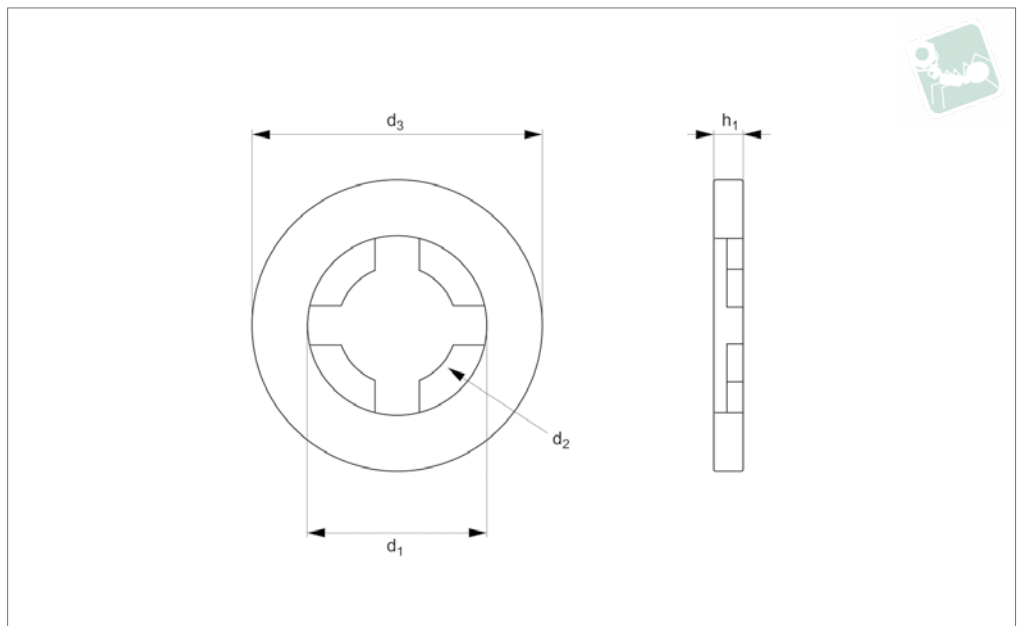
Anti-loss washer can only be removed through fully unscrewing the washer. Many Nylon parts are available in dyed black, this subject to a minimum value and process charge, please contact us for further details.

Dyed black colour is not long term UV stable. Nylon parts offer good electrical insulation, is resistant to corrosion and most dilute acids. Nylon protects work surfaces and absorbs shocks and vibrations.

Order No.	For thread	d ₁	d ₂	h ₁	h ₂	Material	Grade	Finish
18N.035.0091.0A	M3,5	3.6	9.1	1.2	2.7	PA-6/66	Std	Natural
18N.040.0090.0A	M 4	4.1	9.0	1.6	3.0	PA-6/66	Std	Natural
18N.050.0101.0A	M 5	5.0	10.1	1.6	3.1	PA-6/66	Std	Natural
18N.060.0125.0A	M 6	6.3	12.5	1.3	2.7	PA-6/66	Std	Natural
18N.080.0162.0A	M 8	8.2	16.2	1.6	3.5	PA-6/66	Std	Natural
18N.100.0150.0A	M10	10.5	15.0	2.1	4.3	PA-6/66	Std	Natural
18N.1/4.0189.0A	R 1/4"	13.2	18.9	2.6	4.5	PA-6/66	Std	Natural
18N.3/8.0230.0A	R 3/8"	17.7	23.0	2.1	4.5	PA-6/66	Std	Natural
18N.1/2.0276.0A	R 1/2"	21.5	27.6	2.1	4.2	PA-6/66	Std	Natural



N0434.21N



Material

Nylon 66 (PA 6/66), standard.

Technical Notes

Used for pre-assembly of screws and washers, with no risk of loss, to reduce final assembly cost.

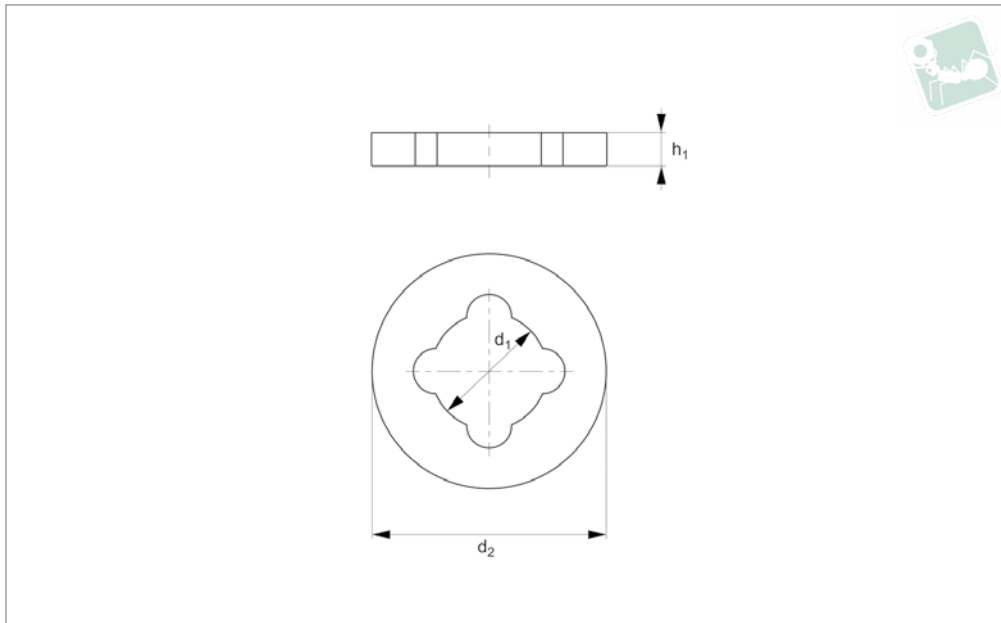
Many Nylon parts are available in dyed black, this subject to a minimum value and process charge, please contact us for further details.

Dyed black colour is not long term UV stable. Nylon parts offer good electrical

insulation, is resistant to corrosion and most dilute acids.

Nylon protects work surfaces and absorbs shocks and vibrations.

Order No.	For thread	d ₁	d ₂	d ₃	h	Material	Grade	Finish
21N.020051.008A	M 2	2.92	1.98	5.16	0.81	PA-6/66	Std	Natural
21N.020051.015A	M 2	2.92	1.98	5.16	1.57	PA-6/66	Std	Natural
21N.030067.008A	M 3	3.96	2.59	6.73	0.81	PA-6/66	Std	Natural
21N.030067.015A	M 3	3.96	2.59	6.73	1.57	PA-6/66	Std	Natural
21N.030070.010A	M 3	2.4	3.9	7.0	1.0	PA-6/66	Std	Natural
21N.035083.008A	M3,5	5.03	3.25	8.33	0.81	PA-6/66	Std	Natural
21N.035083.015A	M3,5	5.03	3.25	8.33	1.57	PA-6/66	Std	Natural
21N.040099.008A1	M 4	5.97	3.86	9.91	0.81	PA-6/66	Std	Natural
21N.040099.015A	M 4	5.97	3.86	9.91	1.57	PA-6/66	Std	Natural
21N.050011.008A	M 5	7.04	4.50	11.51	0.81	PA-6/66	Std	Natural
21N.050011.015A	M 5	7.04	4.50	11.51	1.57	PA-6/66	Std	Natural
21N.060012.008A	M 6	8.74	5.94	12.70	0.81	PA-6/66	Std	Natural
21N.080018.008A	M 8	11.94	7.42	18.64	0.81	PA-6/66	Std	Natural
21N.080018.015A	M 8	11.94	7.42	18.64	1.57	PA-6/66	Std	Natural
21N.100022.008A	M10	14.33	8.89	22.61	0.81	PA-6/66	Std	Natural
21N.120026.08A	M12	14.48	10.41	26.19	0.81	PA-6/66	Std	Natural
21N.7/16026.015A	7/16	14.48	10.41	26.19	1.57	PA-6/66	Std	Natural



N0432.20N

NYLON

Material

Nylon 66 (PA 6/66), standard.

Technical Notes

Anti-loss washer's tapered design results in tapered part clinching into the pitch of the thread, and hence preventing loss.

Anti-loss washer can only be removed through fully unscrewing the washer. Many Nylon parts are available in dyed black, this subject to a minimum value and process charge, please contact us for further details.

Dyed black colour is not long term UV stable. Nylon parts offer good electrical insulation, is resistant to corrosion and most dilute acids.

Nylon protects work surfaces and absorbs shocks and vibrations.

Order No.	For thread	d ₁	d ₂	h ₁	Material	Grade	Finish
20N.050100.005A	M 5	4.3	10.0	0.5	PA-6/66	Std	Natural
20N.050100.008A	M 5	4.3	10.0	0.8	PA-6/66	Std	Natural
20N.050100.010A	M 5	4.3	10.0	1.0	PA-6/66	Std	Natural
20N.050120.005A	M 5	4.3	12.0	0.5	PA-6/66	Std	Natural
20N.050120.008A	M 5	4.3	12.0	0.8	PA-6/66	Std	Natural
20N.050120.010A	M 5	4.3	12.0	1.0	PA-6/66	Std	Natural
20N.060120.005A	M 6	5.1	12.0	0.5	PA-6/66	Std	Natural
20N.060120.008A	M 6	5.1	12.0	0.8	PA-6/66	Std	Natural
20N.060120.010A	M 6	5.1	12.0	1.0	PA-6/66	Std	Natural
20N.080140.005A	M 8	6.2	14.0	0.5	PA-6/66	Std	Natural
20N.080140.008A	M 8	6.2	14.0	0.8	PA-6/66	Std	Natural
20N.080140.010A	M 8	6.2	14.0	1.0	PA-6/66	Std	Natural
20N.100200.005A	M10	8.4	20.0	0.5	PA-6/66	Std	Natural
20N.100200.008A	M10	8.4	20.0	0.8	PA-6/66	Std	Natural
20N.100200.010A	M10	8.4	20.0	1.0	PA-6/66	Std	Natural
20N.120200.005A	M12	9.8	20.0	0.5	PA-6/66	Std	Natural
20N.120200.008A	M12	9.8	20.0	0.8	PA-6/66	Std	Natural
20N.120200.010A	M12	9.8	20.0	1.0	PA-6/66	Std	Natural
20N.160280.005A	M16	13.5	28.0	0.5	PA-6/66	Std	Natural
20N.160280.008A	M16	13.5	28.0	0.8	PA-6/66	Std	Natural
20N.160280.010A	M16	13.5	28.0	1.0	PA-6/66	Std	Natural