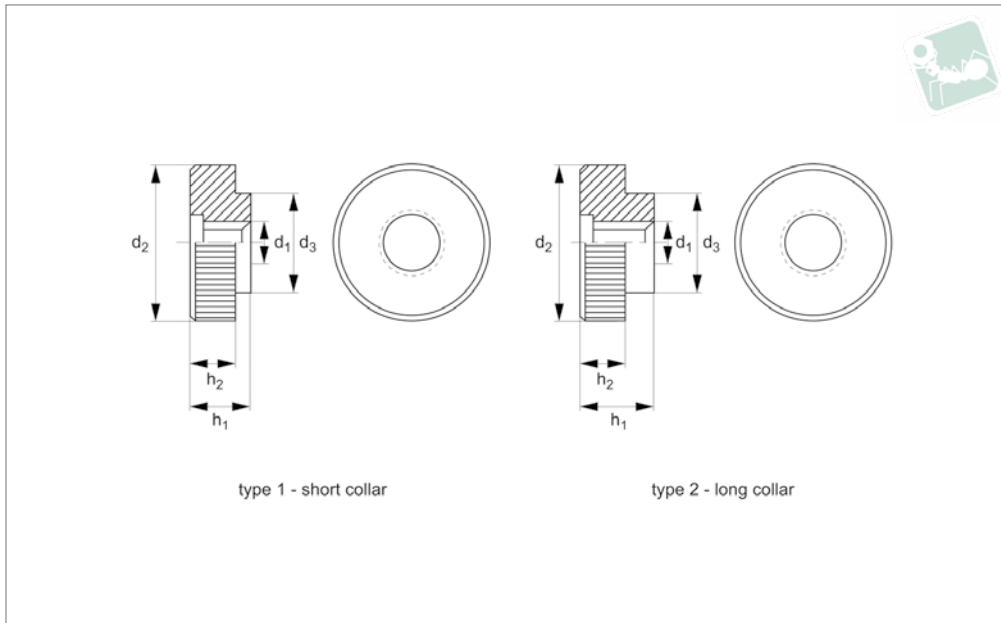




# Knurled Nuts

fine knurl

Nylon



**N0100.10N**

NYLON

### Material

Nylon 66 (PA 6/66), standard.  
White.

### Technical Notes

Nylon parts offer good electrical insula-

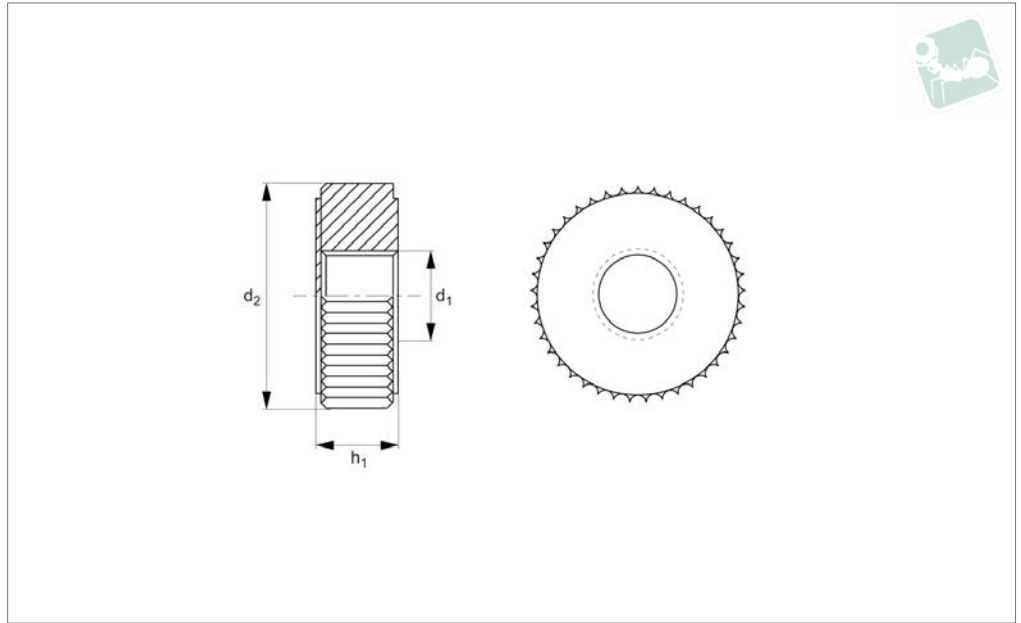
tion, is resistant to corrosion and most dilute acids.

Nylon protects work surfaces and absorbs shocks and vibrations.

Order No.	Type	d <sub>1</sub>	d <sub>2</sub>	d <sub>3</sub> max.	h <sub>1</sub> max.	h <sub>2</sub>	Material	Grade	Finish
10N.10312.050.0W	1- short collar	M 3	12.0	8.5	5.0	3.5	PA-6/66	Std	White
10N.10414.050.0W	1- short collar	M 4	14.0	8.5	5.0	3.5	PA-6/66	Std	White
10N.10416.060.0W	1- short collar	M 4	16.0	10.0	6.0	4.5	PA-6/66	Std	White
10N.10420.075.0W	1- short collar	M 4	20.0	10.0	7.5	6.0	PA-6/66	Std	White
10N.10516.060.0W	1- short collar	M 5	16.0	10.0	6.0	4.5	PA-6/66	Std	White
10N.10520.075.0W	1- short collar	M 5	20.0	10.0	7.5	6.0	PA-6/66	Std	White
10N.10616.060.0W	1- short collar	M 6	16.0	10.0	6.0	4.5	PA-6/66	Std	White
10N.10620.075.0W	1- short collar	M 6	20.0	10.0	7.5	6.0	PA-6/66	Std	White
10N.10824.075.0W	1- short collar	M 8	24.0	13.0	7.5	6.0	PA-6/66	Std	White
10N.20312.070.0W	2- long collar	M 3	12.0	7.0	7.0	3.5	PA-6/66	Std	White
10N.20412.070.0W	2- long collar	M 4	12.0	7.0	7.0	3.5	PA-6/66	Std	White
10N.20416.080.0W	2- long collar	M 4	16.0	9.5	8.0	4.5	PA-6/66	Std	White
10N.20514.070.0W	2- long collar	M 5	14.0	8.8	7.0	3.5	PA-6/66	Std	White
10N.20516.080.0W	2- long collar	M 5	16.0	9.5	8.0	4.5	PA-6/66	Std	White
10N.20520.110.0W	2- long collar	M 5	20.0	13.0	11.0	6.0	PA-6/66	Std	White
10N.20616.080.0W	2- long collar	M 6	16.0	9.5	8.0	4.5	PA-6/66	Std	White
10N.20620.110.0W	2- long collar	M 6	20.0	13.0	11.0	6.0	PA-6/66	Std	White



**N0102**



**Material**

Nylon 66 (PA 6/66), 25% glass filled.  
Natural.

**Technical Notes**

Many Nylon parts are available in dyed

black, this subject to a minimum value and process charge, please contact us for further details.

Dyed black colour is not long term UV stable. Nylon parts offer good electrical

insulation, is resistant to corrosion and most dilute acids.

Nylon protects work surfaces and absorbs shocks and vibrations.

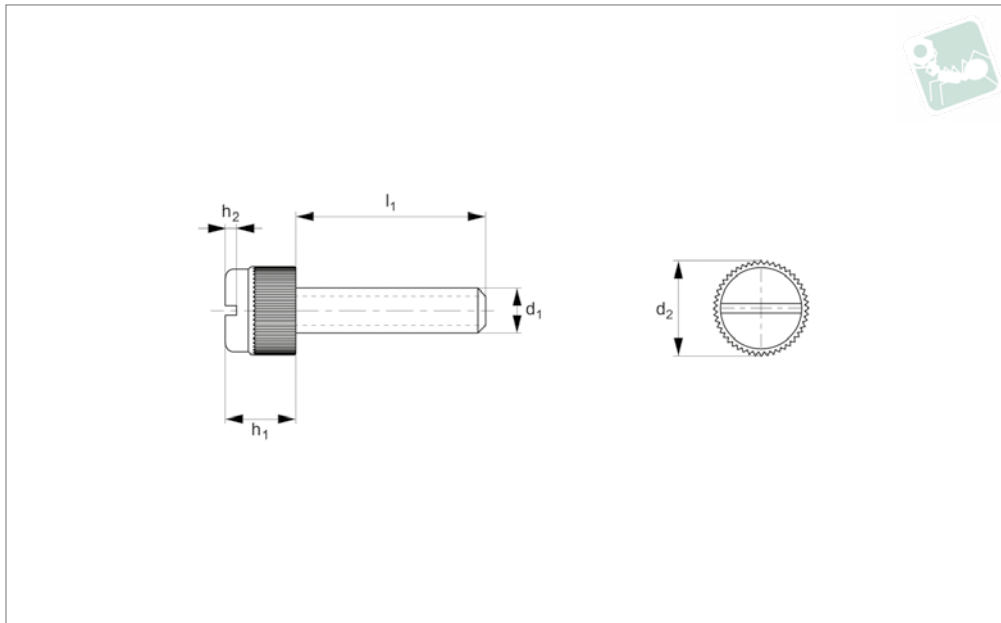
Order No.	d <sub>1</sub>	d <sub>2</sub>	h <sub>1</sub> max.	Material	Grade	Finish
<b>N0102.030.1W</b>	M 3	8.0	3.5	PA-6/66	Glass 0.2	White
<b>N0102.040.1W</b>	M 4	10.0	4.2	PA-6/66	Glass 0.2	White
<b>N0102.050.1W</b>	M 5	13.0	5.2	PA-6/66	Glass 0.2	White
<b>N0102.060.1W</b>	M 6	12.5	6.0	PA-6/66	Glass 0.2	White
<b>N0102.080.1W</b>	M 8	17.5	8.3	PA-6/66	Glass 0.2	White
<b>N0102.100.1W</b>	M10	21.5	10.0	PA-6/66	Glass 0.2	White



# Narrow Head Thumb Screw Slotted

## Narrow Head

Nylon



**N0103.NO**

NYLON

**Material**  
Nylon.

**Technical Notes**  
Nylon knurled thumb screw slotted - narrow head.

Order No.	Thread	$h_1$	$h_2$	$l$
N0103.030-004-N0-00	M 3	5.2	1.0	4
N0103.030-005-N0-00	M 3	5.2	1.0	5
N0103.030-006-N0-00	M 3	5.2	1.0	6
N0103.030-008-N0-00	M 3	5.2	1.0	8
N0103.030-010-N0-00	M 3	5.2	1.0	10
N0103.030-012-N0-00	M 3	5.2	1.0	12
N0103.030-016-N0-00	M 3	5.2	1.0	16
N0103.030-020-N0-00	M 3	5.2	1.0	20
N0103.030-025-N0-00	M 3	5.2	1.0	25
N0103.030-030-N0-00	M 3	5.2	1.0	30
N0103.030-035-N0-00	M 3	5.2	1.0	35
N0103.035-006-N0-00	M3,5	6.1	1.1	6
N0103.035-008-N0-00	M3,5	6.1	1.1	8
N0103.035-010-N0-00	M3,5	6.1	1.1	10
N0103.035-012-N0-00	M3,5	6.1	1.1	12
N0103.035-016-N0-00	M3,5	6.1	1.1	16
N0103.035-020-N0-00	M3,5	6.1	1.1	20
N0103.035-025-N0-00	M3,5	6.1	1.1	25
N0103.035-035-N0-00	M3,5	6.1	1.1	35
N0103.040-006-N0-00	M 4	7.1	1.2	6
N0103.040-010-N0-00	M 4	7.1	1.2	10
N0103.040-012-N0-00	M 4	7.1	1.2	12
N0103.040-016-N0-00	M 4	7.1	1.2	16
N0103.040-020-N0-00	M 4	7.1	1.2	20
N0103.040-025-N0-00	M 4	7.1	1.2	25
N0103.040-030-N0-00	M 4	7.1	1.2	30
N0103.040-035-N0-00	M 4	7.1	1.2	35
N0103.040-040-N0-00	M 4	7.1	1.2	40
N0103.050-006-N0-00	M 5	7.7	1.3	6
N0103.050-008-N0-00	M 5	7.7	1.3	8
N0103.050-010-N0-00	M 5	7.7	1.3	10
N0103.050-012-N0-00	M 5	7.7	1.3	12
N0103.050-016-N0-00	M 5	7.7	1.3	16
N0103.050-020-N0-00	M 5	7.7	1.3	20
N0103.050-025-N0-00	M 5	7.7	1.3	25



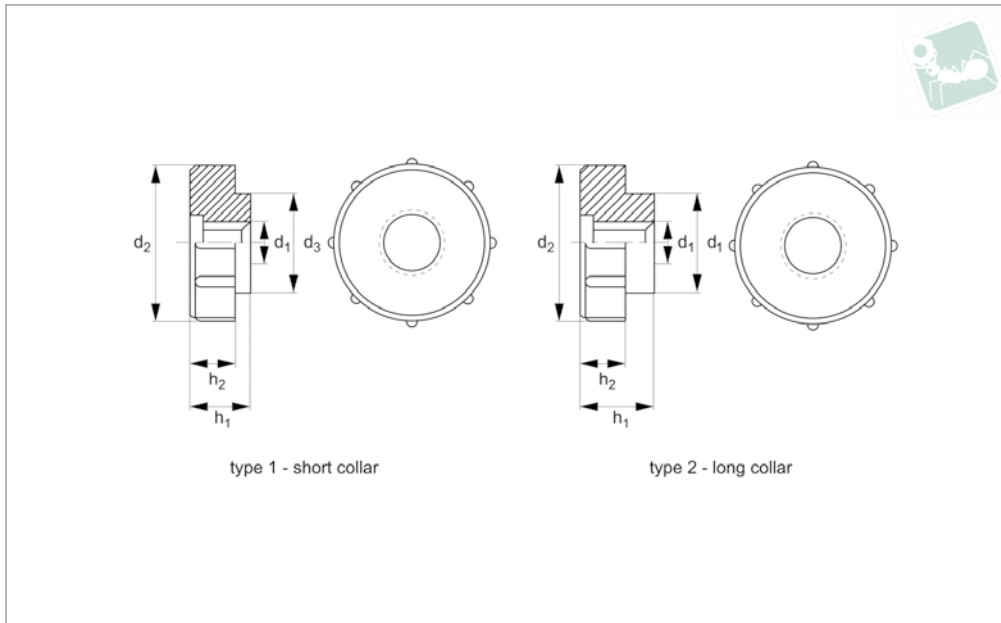
Order No.	Thread	h <sub>1</sub>	h <sub>2</sub>	l
N0103.050-030-N0-00	M 5	7.7	1.3	30
N0103.050-040-N0-00	M 5	7.7	1.3	40
N0103.060-005-N0-00	M 6	7.75	1.14	5
N0103.060-008-N0-00	M 6	7.75	1.14	8
N0103.060-010-N0-00	M 6	7.75	1.14	10
N0103.060-016-N0-00	M 6	7.75	1.14	16
N0103.060-020-N0-00	M 6	7.75	1.14	20
N0103.060-025-N0-00	M 6	7.75	1.14	25
N0103.060-035-N0-00	M 6	7.75	1.14	35
N0103.060-040-N0-00	M 6	7.75	1.14	40
N0103.060-050-N0-00	M 6	7.75	1.14	50
N0103.060-060-N0-00	M 6	7.75	1.14	60
N0103.060-070-N0-00	M 6	7.75	1.14	70
N0103.060-075-N0-00	M 6	7.75	1.14	75



# Knurled Thumb Nuts

coarse kurl

Nylon



**N0106.06N**

NYLON

### Material

Nylon 66 (PA 6/66), standard.  
White or black.

black, this subject to a minimum value and process charge, please contact us for further details.

insulation, is resistant to corrosion and most dilute acids.

### Technical Notes

Many Nylon parts are available in dyed

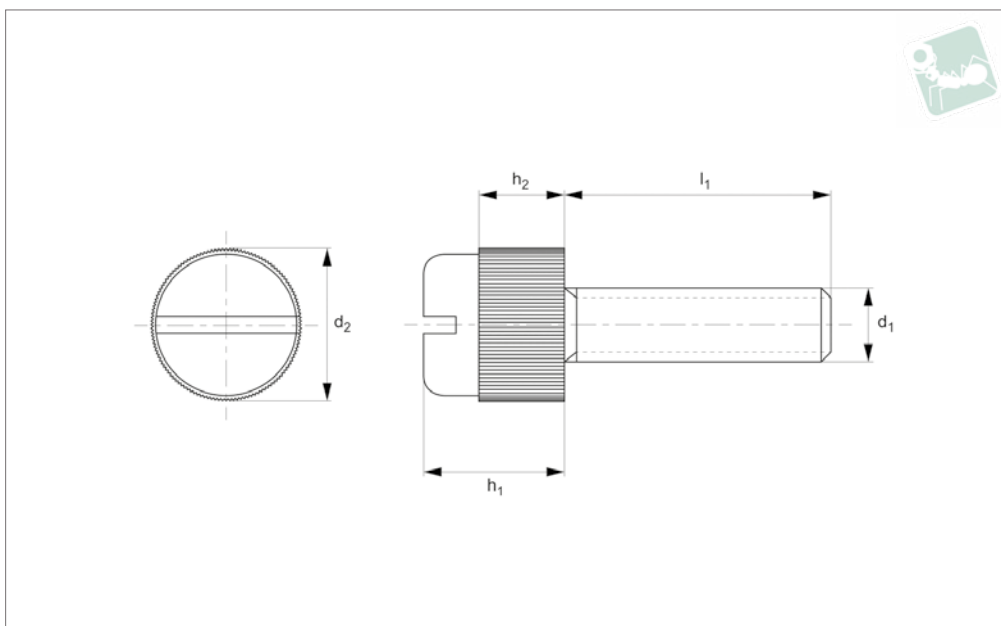
Dyed black colour is not long term UV stable. Nylon parts offer good electrical

shocks and vibrations.

Order No.	Type	d <sub>1</sub>	d <sub>2</sub>	d <sub>3</sub> max.	h <sub>1</sub> max.	h <sub>2</sub>	Material	Grade	Finish
06N.10416.060.0W	one - short collar	M 4	16.0	9.5	6.0	4.5	PA-6/66	Std.	White
06N.10416.065.0W	one - short collar	M 4	16.0	10.0	6.5	4.5	PA-6/66	Std.	White
06N.10420.065.0W	one - short collar	M 4	20.0	10.0	6.5	5.0	PA-6/66	Std.	White
06N.10516.060.0W	one - short collar	M 5	16.0	10.0	6.0	4.5	PA-6/66	Std.	White
06N.10520.065.0W	one - short collar	M 5	20.0	10.0	6.5	5.0	PA-6/66	Std.	White
06N.10616.060.0W	one - short collar	M 6	16.0	10.0	6.0	4.5	PA-6/66	Std.	White
06N.10620.065.0W	one - short collar	M 6	20.0	10.0	6.5	5.0	PA-6/66	Std.	White
06N.10620.078.0W	one - short collar	M 6	20.0	10.0	7.8	6.0	PA-6/66	Std.	White
06N.10624.075.0W	one - short collar	M 6	24.0	10.0	7.5	5.7	PA-6/66	Std.	White
06N.20416.080.0W	two - long collar	M 4	16.0	9.5	8.0	4.5	PA-6/66	Std.	White
06N.20516.080.0W	two - long collar	M 5	16.0	9.5	8.0	4.5	PA-6/66	Std.	White
06N.20524.075.0W	two - long collar	M 5	24.0	10.0	7.5	5.7	PA-6/66	Std.	White
06N.20616.080.0W	two - long collar	M 6	16.0	9.5	8.0	4.5	PA-6/66	Std.	White
06N.20624.110.0W	two - long collar	M 6	24.0	13.0	11.0	6.0	PA-6/66	Std.	White



## N0150.03N



### Material

Nylon PA-6/66 (Std - standard grade),  
natural.

Order No.	d <sub>1</sub>	d <sub>2</sub>	h <sub>1</sub>	h <sub>2</sub>	l	Material	Grade	Finish
03N.030.0060.0A	M 3	7.8	5.4	3.3	6	PA-6/66	Std.	Natural
03N.030.0080.0A	M 3	7.8	5.4	3.3	8	PA-6/66	Std.	Natural
03N.030.0100.0A	M 3	7.8	5.4	3.3	10	PA-6/66	Std.	Natural
03N.030.0120.0A	M 3	7.8	5.4	3.3	12	PA-6/66	Std.	Natural
03N.030.0160.0A	M 3	7.8	5.4	3.3	16	PA-6/66	Std.	Natural
03N.030.0200.0A	M 3	7.8	5.4	3.3	20	PA-6/66	Std.	Natural
03N.030.0250.0A	M 3	7.8	5.4	3.3	25	PA-6/66	Std.	Natural
03N.030.0300.0A	M 3	7.8	5.4	3.3	30	PA-6/66	Std.	Natural
03N.040.0060.0A	M 4	9.4	7.0	4.8	6	PA-6/66	Std.	Natural
03N.040.0080.0A	M 4	9.4	7.0	4.8	8	PA-6/66	Std.	Natural
03N.040.0100.0A	M 4	9.4	7.0	4.8	10	PA-6/66	Std.	Natural
03N.040.0120.0A	M 4	9.4	7.0	4.8	12	PA-6/66	Std.	Natural
03N.040.0160.0A	M 4	9.4	7.0	4.8	16	PA-6/66	Std.	Natural
03N.040.0200.0A	M 4	9.4	7.0	4.8	20	PA-6/66	Std.	Natural
03N.040.0250.0A	M 4	9.4	7.0	4.8	25	PA-6/66	Std.	Natural
03N.050.0060.0A	M 5	9.7	7.7	5.3	6	PA-6/66	Std.	Natural
03N.050.0080.0A	M 5	9.7	7.7	5.3	8	PA-6/66	Std.	Natural
03N.050.0100.0A	M 5	9.7	7.7	5.3	10	PA-6/66	Std.	Natural
03N.050.0120.0A	M 5	9.7	7.7	5.3	12	PA-6/66	Std.	Natural
03N.050.0150.0A	M 5	9.7	7.7	5.3	15	PA-6/66	Std.	Natural
03N.050.0160.0A	M 5	9.7	7.7	5.3	16	PA-6/66	Std.	Natural
03N.050.0170.0A	M 5	9.7	7.7	5.3	17	PA-6/66	Std.	Natural
03N.050.0200.0A	M 5	9.7	7.7	5.3	20	PA-6/66	Std.	Natural
03N.050.0250.0A	M 5	9.7	7.7	5.3	25	PA-6/66	Std.	Natural
03N.050.0300.0A	M 5	9.7	7.7	5.3	30	PA-6/66	Std.	Natural
03N.050.0350.0A	M 5	9.7	7.7	5.3	35	PA-6/66	Std.	Natural
03N.050.0400.0A	M 5	9.7	7.7	5.3	40	PA-6/66	Std.	Natural
03N.050.0450.0A	M 5	9.7	7.7	5.3	45	PA-6/66	Std.	Natural
03N.050.0500.0A	M 5	9.7	7.7	5.3	50	PA-6/66	Std.	Natural
03N.050.0550.0A	M 5	9.7	7.7	5.3	55	PA-6/66	Std.	Natural
03N.050.0600.0A	M 5	9.7	7.7	5.3	60	PA-6/66	Std.	Natural
03N.050.0700.0A	M 5	9.7	7.7	5.3	70	PA-6/66	Std.	Natural
03N.060.0060.0A	M 6	11.9	7.5	5.8	6	PA-6/66	Std.	Natural
03N.060.0080.0A	M 6	11.9	7.5	5.8	8	PA-6/66	Std.	Natural
03N.060.0100.0A	M 6	11.9	7.5	5.8	10	PA-6/66	Std.	Natural

# Knurled Thumb Screw

fine knurl, slotted

Nylon



Order No.	d <sub>1</sub>	d <sub>2</sub>	h <sub>1</sub>	h <sub>2</sub>	l	Material	Grade	Finish
03N.060.0120.0A	M 6	11.9	7.5	5.8	12	PA-6/66	Std.	Natural
03N.060.0150.0A	M 6	11.9	7.5	5.8	15	PA-6/66	Std.	Natural
03N.060.0160.0A	M 6	11.9	7.5	5.8	16	PA-6/66	Std.	Natural
03N.060.0170.0A	M 6	11.9	7.5	5.8	17	PA-6/66	Std.	Natural
03N.060.0200.0A	M 6	11.9	7.5	5.8	20	PA-6/66	Std.	Natural
03N.060.0250.0A	M 6	11.9	7.5	5.8	25	PA-6/66	Std.	Natural
03N.060.0300.0A	M 6	11.9	7.5	5.8	30	PA-6/66	Std.	Natural
03N.060.0350.0A	M 6	11.9	7.5	5.8	35	PA-6/66	Std.	Natural
03N.060.0400.0A	M 6	11.9	7.5	5.8	40	PA-6/66	Std.	Natural
03N.060.0450.0A	M 6	11.9	7.5	5.8	45	PA-6/66	Std.	Natural
03N.060.0500.0A	M 6	11.9	7.5	5.8	50	PA-6/66	Std.	Natural
03N.060.0600.0A	M 6	11.9	7.5	5.8	60	PA-6/66	Std.	Natural
03N.060.0700.0A	M 6	11.9	7.5	5.8	70	PA-6/66	Std.	Natural
03N.060.0750.0A	M 6	11.9	7.5	5.8	75	PA-6/66	Std.	Natural
03N.060.0800.0A	M 6	11.9	7.5	5.8	80	PA-6/66	Std.	Natural
03N.060.0850.0A	M 6	11.9	7.5	5.8	85	PA-6/66	Std.	Natural
03N.060.0900.0A	M 6	11.9	7.5	5.8	90	PA-6/66	Std.	Natural
03N.060.0950.0A	M 6	11.9	7.5	5.8	95	PA-6/66	Std.	Natural
03N.060.1000.0A	M 6	11.9	7.5	5.8	100	PA-6/66	Std.	Natural
03N.060.1100.0A	M 6	11.9	7.5	5.8	110	PA-6/66	Std.	Natural
03N.060.1200.0A	M 6	11.9	7.5	5.8	120	PA-6/66	Std.	Natural
03N.060.1300.0A	M 6	11.9	7.5	5.8	130	PA-6/66	Std.	Natural
03N.080.0060.0A	M 8	11.9	7.5	5.8	6	PA-6/66	Std.	Natural
03N.080.0080.0A	M 8	11.9	7.5	5.8	8	PA-6/66	Std.	Natural
03N.080.0100.0A	M 8	11.9	7.5	5.8	10	PA-6/66	Std.	Natural
03N.080.0120.0A	M 8	11.9	7.5	5.8	12	PA-6/66	Std.	Natural
03N.080.0150.0A	M 8	11.9	7.5	5.8	15	PA-6/66	Std.	Natural
03N.080.0160.0A	M 8	11.9	7.5	5.8	16	PA-6/66	Std.	Natural
03N.080.0170.0A	M 8	11.9	7.5	5.8	17	PA-6/66	Std.	Natural
03N.080.0200.0A	M 8	11.9	7.5	5.8	20	PA-6/66	Std.	Natural
03N.080.0250.0A	M 8	11.9	7.5	5.8	25	PA-6/66	Std.	Natural
03N.080.0300.0A	M 8	11.9	7.5	5.8	30	PA-6/66	Std.	Natural
03N.080.0350.0A	M 8	11.9	7.5	5.8	35	PA-6/66	Std.	Natural
03N.080.0400.0A	M 8	11.9	7.5	5.8	40	PA-6/66	Std.	Natural
03N.080.0450.0A	M 8	11.9	7.5	5.8	45	PA-6/66	Std.	Natural
03N.080.0500.0A	M 8	11.9	7.5	5.8	50	PA-6/66	Std.	Natural
03N.080.0600.0A	M 8	11.9	7.5	5.8	60	PA-6/66	Std.	Natural
03N.080.0700.0A	M 8	11.9	7.5	5.8	70	PA-6/66	Std.	Natural
03N.080.0750.0A	M 8	11.9	7.5	5.8	75	PA-6/66	Std.	Natural
03N.080.0800.0A	M 8	11.9	7.5	5.8	80	PA-6/66	Std.	Natural
03N.080.0850.0A	M 8	11.9	7.5	5.8	85	PA-6/66	Std.	Natural
03N.080.0900.0A	M 8	11.9	7.5	5.8	90	PA-6/66	Std.	Natural
03N.080.0950.0A	M 8	11.9	7.5	5.8	95	PA-6/66	Std.	Natural
03N.080.1000.0A	M 8	11.9	7.5	5.8	100	PA-6/66	Std.	Natural
03N.080.1100.0A	M 8	11.9	7.5	5.8	110	PA-6/66	Std.	Natural
03N.080.1200.0A	M 8	11.9	7.5	5.8	120	PA-6/66	Std.	Natural
03N.080.1300.0A	M 8	11.9	7.5	5.8	130	PA-6/66	Std.	Natural

NYLON