

N6000.66N.1

NYLON

Material

Nylon 66 (PA 6/66), standard. Natural.

Technical Notes

*"For thread" recommendation based on „fine/close fit“ tolerance for metric

fastener and clearance hole.

For normal and loose fit tolerances please make your own calculations.

Nylon parts offer good electrical insulation, is resistant to corrosion and most

dilute acids.

Nylon protects work surfaces and absorbs shocks and vibrations.

Order No.	For thread	d ₁	d ₂	l	Material	Grade	Finish
66N.026040.020A	M 2	2.6	4.0	2.0	PA6/66	Std.	Natural
66N.026040.030A	M 2	2.6	4.0	3.0	PA6/66	Std.	Natural
66N.026040.040A	M 2	2.6	4.0	4.0	PA6/66	Std.	Natural
66N.026040.050A	M 2	2.6	4.0	5.0	PA6/66	Std.	Natural
66N.026040.060A	M 2	2.6	4.0	6.0	PA6/66	Std.	Natural
66N.026040.070A	M 2	2.6	4.0	7.0	PA6/66	Std.	Natural
66N.026040.075A	M 2	2.6	4.0	7.5	PA6/66	Std.	Natural
66N.026040.080A	M 2	2.6	4.0	8.0	PA6/66	Std.	Natural
66N.026040.090A	M 2	2.6	4.0	9.0	PA6/66	Std.	Natural
66N.026040.100A	M 2	2.6	4.0	10.0	PA6/66	Std.	Natural
66N.026040.110A	M 2	2.6	4.0	11.0	PA6/66	Std.	Natural
66N.026040.120A	M 2	2.6	4.0	12.0	PA6/66	Std.	Natural
66N.026040.125A	M 2	2.6	4.0	12.5	PA6/66	Std.	Natural
66N.026040.130A	M 2	2.6	4.0	13.0	PA6/66	Std.	Natural
66N.026040.140A	M 2	2.6	4.0	14.0	PA6/66	Std.	Natural
66N.026040.150A	M 2	2.6	4.0	15.0	PA6/66	Std.	Natural
66N.026040.160A	M 2	2.6	4.0	16.0	PA6/66	Std.	Natural
66N.026040.170A	M 2	2.6	4.0	17.0	PA6/66	Std.	Natural
66N.026040.175A	M 2	2.6	4.0	17.5	PA6/66	Std.	Natural
66N.026040.180A	M 2	2.6	4.0	18.0	PA6/66	Std.	Natural
66N.026040.190A	M 2	2.6	4.0	19.0	PA6/66	Std.	Natural
66N.026040.200A	M 2	2.6	4.0	20.0	PA6/66	Std.	Natural
66N.026040.210A	M 2	2.6	4.0	21.0	PA6/66	Std.	Natural
66N.026040.220A	M 2	2.6	4.0	22.0	PA6/66	Std.	Natural
66N.026040.225A	M 2	2.6	4.0	22.5	PA6/66	Std.	Natural
66N.026040.230A	M 2	2.6	4.0	23.0	PA6/66	Std.	Natural
66N.026040.240A	M 2	2.6	4.0	24.0	PA6/66	Std.	Natural
66N.026040.250A	M 2	2.6	4.0	25.0	PA6/66	Std.	Natural
66N.026040.260A	M 2	2.6	4.0	26.0	PA6/66	Std.	Natural
66N.026040.270A	M 2	2.6	4.0	27.0	PA6/66	Std.	Natural
66N.026040.280A	M 2	2.6	4.0	28.0	PA6/66	Std.	Natural
66N.026040.290A	M 2	2.6	4.0	29.0	PA6/66	Std.	Natural
66N.026040.300A	M 2	2.6	4.0	30.0	PA6/66	Std.	Natural



Order No.	For thread	d ₁	d ₂	l	Material	Grade	Finish
66N.032050.020A	M 3	3.2	5.0	2.0	PA6/66	Std.	Natural
66N.032050.030A	M 3	3.2	5.0	3.0	PA6/66	Std.	Natural
66N.032050.040A	M 3	3.2	5.0	4.0	PA6/66	Std.	Natural
66N.032050.050A	M 3	3.2	5.0	5.0	PA6/66	Std.	Natural
66N.032050.060A	M 3	3.2	5.0	6.0	PA6/66	Std.	Natural
66N.032050.070A	M 3	3.2	5.0	7.0	PA6/66	Std.	Natural
66N.032050.075A	M 3	3.2	5.0	7.5	PA6/66	Std.	Natural
66N.032050.080A	M 3	3.2	5.0	8.0	PA6/66	Std.	Natural
66N.032050.090A	M 3	3.2	5.0	9.0	PA6/66	Std.	Natural
66N.032050.100A	M 3	3.2	5.0	10.0	PA6/66	Std.	Natural
66N.032050.110A	M 3	3.2	5.0	11.0	PA6/66	Std.	Natural
66N.032050.120A	M 3	3.2	5.0	12.0	PA6/66	Std.	Natural
66N.032050.125A	M 3	3.2	5.0	12.5	PA6/66	Std.	Natural
66N.032050.130A	M 3	3.2	5.0	13.0	PA6/66	Std.	Natural
66N.032050.140A	M 3	3.2	5.0	14.0	PA6/66	Std.	Natural
66N.032050.150A	M 3	3.2	5.0	15.0	PA6/66	Std.	Natural
66N.032050.160A	M 3	3.2	5.0	16.0	PA6/66	Std.	Natural
66N.032050.170A	M 3	3.2	5.0	17.0	PA6/66	Std.	Natural
66N.032050.175A	M 3	3.2	5.0	17.5	PA6/66	Std.	Natural
66N.032050.180A	M 3	3.2	5.0	18.0	PA6/66	Std.	Natural
66N.032050.190A	M 3	3.2	5.0	19.0	PA6/66	Std.	Natural
66N.032050.200A	M 3	3.2	5.0	20.0	PA6/66	Std.	Natural
66N.032050.210A	M 3	3.2	5.0	21.0	PA6/66	Std.	Natural
66N.032050.220A	M 3	3.2	5.0	22.0	PA6/66	Std.	Natural
66N.032050.225A	M 3	3.2	5.0	22.5	PA6/66	Std.	Natural
66N.032050.230A	M 3	3.2	5.0	23.0	PA6/66	Std.	Natural
66N.032050.240A	M 3	3.2	5.0	24.0	PA6/66	Std.	Natural
66N.032050.250A	M 3	3.2	5.0	25.0	PA6/66	Std.	Natural
66N.032050.260A	M 3	3.2	5.0	26.0	PA6/66	Std.	Natural
66N.032050.270A	M 3	3.2	5.0	27.0	PA6/66	Std.	Natural
66N.032050.280A	M 3	3.2	5.0	28.0	PA6/66	Std.	Natural
66N.032050.290A	M 3	3.2	5.0	29.0	PA6/66	Std.	Natural
66N.032050.300A	M 3	3.2	5.0	30.0	PA6/66	Std.	Natural
66N.032060.020A	M 3	3.2	6.0	2.0	PA6/66	Std.	Natural
66N.032060.030A	M 3	3.2	6.0	3.0	PA6/66	Std.	Natural
66N.032060.040A	M 3	3.2	6.0	4.0	PA6/66	Std.	Natural
66N.032060.050A	M 3	3.2	6.0	5.0	PA6/66	Std.	Natural
66N.032060.060A	M 3	3.2	6.0	6.0	PA6/66	Std.	Natural
66N.032060.070A	M 3	3.2	6.0	7.0	PA6/66	Std.	Natural
66N.032060.075A	M 3	3.2	6.0	7.5	PA6/66	Std.	Natural
66N.032060.080A	M 3	3.2	6.0	8.0	PA6/66	Std.	Natural
66N.032060.090A	M 3	3.2	6.0	9.0	PA6/66	Std.	Natural
66N.032060.100A	M 3	3.2	6.0	10.0	PA6/66	Std.	Natural
66N.032060.110A	M 3	3.2	6.0	11.0	PA6/66	Std.	Natural
66N.032060.120A	M 3	3.2	6.0	12.0	PA6/66	Std.	Natural
66N.032060.125A	M 3	3.2	6.0	12.5	PA6/66	Std.	Natural
66N.032060.130A	M 3	3.2	6.0	13.0	PA6/66	Std.	Natural
66N.032060.140A	M 3	3.2	6.0	14.0	PA6/66	Std.	Natural
66N.032060.150A	M 3	3.2	6.0	15.0	PA6/66	Std.	Natural
66N.032060.160A	M 3	3.2	6.0	16.0	PA6/66	Std.	Natural
66N.032060.170A	M 3	3.2	6.0	17.0	PA6/66	Std.	Natural
66N.032060.175A	M 3	3.2	6.0	17.5	PA6/66	Std.	Natural
66N.032060.180A	M 3	3.2	6.0	18.0	PA6/66	Std.	Natural
66N.032060.190A	M 3	3.2	6.0	19.0	PA6/66	Std.	Natural
66N.032060.200A	M 3	3.2	6.0	20.0	PA6/66	Std.	Natural
66N.032060.210A	M 3	3.2	6.0	21.0	PA6/66	Std.	Natural
66N.032060.220A	M 3	3.2	6.0	22.0	PA6/66	Std.	Natural
66N.032060.225A	M 3	3.2	6.0	22.5	PA6/66	Std.	Natural
66N.032060.230A	M 3	3.2	6.0	23.0	PA6/66	Std.	Natural
66N.032060.240A	M 3	3.2	6.0	24.0	PA6/66	Std.	Natural
66N.032060.250A	M 3	3.2	6.0	25.0	PA6/66	Std.	Natural
66N.032060.260A	M 3	3.2	6.0	26.0	PA6/66	Std.	Natural
66N.032060.270A	M 3	3.2	6.0	27.0	PA6/66	Std.	Natural
66N.032060.280A	M 3	3.2	6.0	28.0	PA6/66	Std.	Natural
66N.032060.290A	M 3	3.2	6.0	29.0	PA6/66	Std.	Natural
66N.032060.300A	M 3	3.2	6.0	30.0	PA6/66	Std.	Natural
66N.032080.020A	M 3	3.2	8.0	2.0	PA6/66	Std.	Natural
66N.032080.030A	M 3	3.2	8.0	3.0	PA6/66	Std.	Natural
66N.032080.040A	M 3	3.2	8.0	4.0	PA6/66	Std.	Natural



Order No.	For thread	d ₁	d ₂	l	Material	Grade	Finish
66N.032080.050A	M 3	3.2	8.0	5.0	PA6/66	Std.	Natural
66N.032080.060A	M 3	3.2	8.0	6.0	PA6/66	Std.	Natural
66N.032080.070A	M 3	3.2	8.0	7.0	PA6/66	Std.	Natural
66N.032080.075A	M 3	3.2	8.0	7.5	PA6/66	Std.	Natural
66N.032080.080A	M 3	3.2	8.0	8.0	PA6/66	Std.	Natural
66N.032080.090A	M 3	3.2	8.0	9.0	PA6/66	Std.	Natural
66N.032080.100A	M 3	3.2	8.0	10.0	PA6/66	Std.	Natural
66N.032080.110A	M 3	3.2	8.0	11.0	PA6/66	Std.	Natural
66N.032080.120A	M 3	3.2	8.0	12.0	PA6/66	Std.	Natural
66N.032080.125A	M 3	3.2	8.0	12.5	PA6/66	Std.	Natural
66N.032080.130A	M 3	3.2	8.0	13.0	PA6/66	Std.	Natural
66N.032080.140A	M 3	3.2	8.0	14.0	PA6/66	Std.	Natural
66N.032080.150A	M 3	3.2	8.0	15.0	PA6/66	Std.	Natural
66N.032080.160A	M 3	3.2	8.0	16.0	PA6/66	Std.	Natural
66N.032080.170A	M 3	3.2	8.0	17.0	PA6/66	Std.	Natural
66N.032080.175A	M 3	3.2	8.0	17.5	PA6/66	Std.	Natural
66N.032080.180A	M 3	3.2	8.0	18.0	PA6/66	Std.	Natural
66N.032080.190A	M 3	3.2	8.0	19.0	PA6/66	Std.	Natural
66N.032080.200A	M 3	3.2	8.0	20.0	PA6/66	Std.	Natural
66N.032080.210A	M 3	3.2	8.0	21.0	PA6/66	Std.	Natural
66N.032080.220A	M 3	3.2	8.0	22.0	PA6/66	Std.	Natural
66N.032080.225A	M 3	3.2	8.0	22.5	PA6/66	Std.	Natural
66N.032080.230A	M 3	3.2	8.0	23.0	PA6/66	Std.	Natural
66N.032080.240A	M 3	3.2	8.0	24.0	PA6/66	Std.	Natural
66N.032080.250A	M 3	3.2	8.0	25.0	PA6/66	Std.	Natural
66N.032080.260A	M 3	3.2	8.0	26.0	PA6/66	Std.	Natural
66N.032080.270A	M 3	3.2	8.0	27.0	PA6/66	Std.	Natural
66N.032080.280A	M 3	3.2	8.0	28.0	PA6/66	Std.	Natural
66N.032080.290A	M 3	3.2	8.0	29.0	PA6/66	Std.	Natural
66N.032080.300A	M 3	3.2	8.0	30.0	PA6/66	Std.	Natural
66N.036060.020A	M 3	3.6	6.0	2.0	PA6/66	Std.	Natural
66N.036060.030A	M 3	3.6	6.0	3.0	PA6/66	Std.	Natural
66N.036060.040A	M 3	3.6	6.0	4.0	PA6/66	Std.	Natural
66N.036060.050A	M 3	3.6	6.0	5.0	PA6/66	Std.	Natural
66N.036060.060A	M 3	3.6	6.0	6.0	PA6/66	Std.	Natural
66N.036060.070A	M 3	3.6	6.0	7.0	PA6/66	Std.	Natural
66N.036060.075A	M 3	3.6	6.0	7.5	PA6/66	Std.	Natural
66N.036060.080A	M 3	3.6	6.0	8.0	PA6/66	Std.	Natural
66N.036060.090A	M 3	3.6	6.0	9.0	PA6/66	Std.	Natural
66N.036060.100A	M 3	3.6	6.0	10.0	PA6/66	Std.	Natural
66N.036060.110A	M 3	3.6	6.0	11.0	PA6/66	Std.	Natural
66N.036060.120A	M 3	3.6	6.0	12.0	PA6/66	Std.	Natural
66N.036060.125A	M 3	3.6	6.0	12.5	PA6/66	Std.	Natural
66N.036060.130A	M 3	3.6	6.0	13.0	PA6/66	Std.	Natural
66N.036060.140A	M 3	3.6	6.0	14.0	PA6/66	Std.	Natural
66N.036060.150A	M 3	3.6	6.0	15.0	PA6/66	Std.	Natural
66N.036060.160A	M 3	3.6	6.0	16.0	PA6/66	Std.	Natural
66N.036060.170A	M 3	3.6	6.0	17.0	PA6/66	Std.	Natural
66N.036060.175A	M 3	3.6	6.0	17.5	PA6/66	Std.	Natural
66N.036060.180A	M 3	3.6	6.0	18.0	PA6/66	Std.	Natural
66N.036060.190A	M 3	3.6	6.0	19.0	PA6/66	Std.	Natural
66N.036060.200A	M 3	3.6	6.0	20.0	PA6/66	Std.	Natural
66N.036060.210A	M 3	3.6	6.0	21.0	PA6/66	Std.	Natural
66N.036060.220A	M 3	3.6	6.0	22.0	PA6/66	Std.	Natural
66N.036060.225A	M 3	3.6	6.0	22.5	PA6/66	Std.	Natural
66N.036060.230A	M 3	3.6	6.0	23.0	PA6/66	Std.	Natural
66N.036060.240A	M 3	3.6	6.0	24.0	PA6/66	Std.	Natural
66N.036060.250A	M 3	3.6	6.0	25.0	PA6/66	Std.	Natural
66N.036060.260A	M 3	3.6	6.0	26.0	PA6/66	Std.	Natural
66N.036060.270A	M 3	3.6	6.0	27.0	PA6/66	Std.	Natural
66N.036060.280A	M 3	3.6	6.0	28.0	PA6/66	Std.	Natural
66N.036060.290A	M 3	3.6	6.0	29.0	PA6/66	Std.	Natural
66N.036060.300A	M 3	3.6	6.0	30.0	PA6/66	Std.	Natural
66N.043080.020A	M 4	4.3	8.0	2.0	PA6/66	Std.	Natural
66N.043080.030A	M 4	4.3	8.0	3.0	PA6/66	Std.	Natural
66N.043080.040A	M 4	4.3	8.0	4.0	PA6/66	Std.	Natural
66N.043080.050A	M 4	4.3	8.0	5.0	PA6/66	Std.	Natural
66N.043080.060A	M 4	4.3	8.0	6.0	PA6/66	Std.	Natural
66N.043080.070A	M 4	4.3	8.0	7.0	PA6/66	Std.	Natural

NYLON



Order No.	For thread	d ₁	d ₂	l	Material	Grade	Finish
66N.043080.075A	M 4	4.3	8.0	7.5	PA6/66	Std.	Natural
66N.043080.080A	M 4	4.3	8.0	8.0	PA6/66	Std.	Natural
66N.043080.090A	M 4	4.3	8.0	9.0	PA6/66	Std.	Natural
66N.043080.100A	M 4	4.3	8.0	10.0	PA6/66	Std.	Natural
66N.043080.110A	M 4	4.3	8.0	11.0	PA6/66	Std.	Natural
66N.043080.120A	M 4	4.3	8.0	12.0	PA6/66	Std.	Natural
66N.043080.125A	M 4	4.3	8.0	12.5	PA6/66	Std.	Natural
66N.043080.130A	M 4	4.3	8.0	13.0	PA6/66	Std.	Natural
66N.043080.140A	M 4	4.3	8.0	14.0	PA6/66	Std.	Natural
66N.043080.150A	M 4	4.3	8.0	15.0	PA6/66	Std.	Natural
66N.043080.160A	M 4	4.3	8.0	16.0	PA6/66	Std.	Natural
66N.043080.170A	M 4	4.3	8.0	17.0	PA6/66	Std.	Natural
66N.043080.175A	M 4	4.3	8.0	17.5	PA6/66	Std.	Natural
66N.043080.180A	M 4	4.3	8.0	18.0	PA6/66	Std.	Natural
66N.043080.190A	M 4	4.3	8.0	19.0	PA6/66	Std.	Natural
66N.043080.200A	M 4	4.3	8.0	20.0	PA6/66	Std.	Natural
66N.043080.210A	M 4	4.3	8.0	21.0	PA6/66	Std.	Natural
66N.043080.220A	M 4	4.3	8.0	22.0	PA6/66	Std.	Natural
66N.043080.225A	M 4	4.3	8.0	22.5	PA6/66	Std.	Natural
66N.043080.230A	M 4	4.3	8.0	23.0	PA6/66	Std.	Natural
66N.043080.240A	M 4	4.3	8.0	24.0	PA6/66	Std.	Natural
66N.043080.250A	M 4	4.3	8.0	25.0	PA6/66	Std.	Natural
66N.043080.260A	M 4	4.3	8.0	26.0	PA6/66	Std.	Natural
66N.043080.270A	M 4	4.3	8.0	27.0	PA6/66	Std.	Natural
66N.043080.280A	M 4	4.3	8.0	28.0	PA6/66	Std.	Natural
66N.043080.290A	M 4	4.3	8.0	29.0	PA6/66	Std.	Natural
66N.043080.300A	M 4	4.3	8.0	30.0	PA6/66	Std.	Natural
66N.043100.020A	M 4	4.3	10.0	2.0	PA6/66	Std.	Natural
66N.043100.030A	M 4	4.3	10.0	3.0	PA6/66	Std.	Natural
66N.043100.040A	M 4	4.3	10.0	4.0	PA6/66	Std.	Natural
66N.043100.050A	M 4	4.3	10.0	5.0	PA6/66	Std.	Natural
66N.043100.060A	M 4	4.3	10.0	6.0	PA6/66	Std.	Natural
66N.043100.070A	M 4	4.3	10.0	7.0	PA6/66	Std.	Natural
66N.043100.075A	M 4	4.3	10.0	7.5	PA6/66	Std.	Natural
66N.043100.080A	M 4	4.3	10.0	8.0	PA6/66	Std.	Natural
66N.043100.090A	M 4	4.3	10.0	9.0	PA6/66	Std.	Natural
66N.043100.100A	M 4	4.3	10.0	10.0	PA6/66	Std.	Natural
66N.043100.110A	M 4	4.3	10.0	11.0	PA6/66	Std.	Natural
66N.043100.120A	M 4	4.3	10.0	12.0	PA6/66	Std.	Natural
66N.043100.125A	M 4	4.3	10.0	12.5	PA6/66	Std.	Natural
66N.043100.130A	M 4	4.3	10.0	13.0	PA6/66	Std.	Natural
66N.043100.140A	M 4	4.3	10.0	14.0	PA6/66	Std.	Natural
66N.043100.150A	M 4	4.3	10.0	15.0	PA6/66	Std.	Natural
66N.043100.160A	M 4	4.3	10.0	16.0	PA6/66	Std.	Natural
66N.043100.170A	M 4	4.3	10.0	17.0	PA6/66	Std.	Natural
66N.043100.175A	M 4	4.3	10.0	17.5	PA6/66	Std.	Natural
66N.043100.180A	M 4	4.3	10.0	18.0	PA6/66	Std.	Natural
66N.043100.190A	M 4	4.3	10.0	19.0	PA6/66	Std.	Natural
66N.043100.200A	M 4	4.3	10.0	20.0	PA6/66	Std.	Natural
66N.043100.210A	M 4	4.3	10.0	21.0	PA6/66	Std.	Natural
66N.043100.220A	M 4	4.3	10.0	22.0	PA6/66	Std.	Natural
66N.043100.225A	M 4	4.3	10.0	22.5	PA6/66	Std.	Natural
66N.043100.230A	M 4	4.3	10.0	23.0	PA6/66	Std.	Natural
66N.043100.240A	M 4	4.3	10.0	24.0	PA6/66	Std.	Natural
66N.043100.250A	M 4	4.3	10.0	25.0	PA6/66	Std.	Natural
66N.043100.260A	M 4	4.3	10.0	26.0	PA6/66	Std.	Natural
66N.043100.270A	M 4	4.3	10.0	27.0	PA6/66	Std.	Natural
66N.043100.280A	M 4	4.3	10.0	28.0	PA6/66	Std.	Natural
66N.043100.290A	M 4	4.3	10.0	29.0	PA6/66	Std.	Natural
66N.043100.300A	M 4	4.3	10.0	30.0	PA6/66	Std.	Natural
66N.043120.020A	M 4	4.3	12.0	2.0	PA6/66	Std.	Natural
66N.043120.030A	M 4	4.3	12.0	3.0	PA6/66	Std.	Natural
66N.043120.040A	M 4	4.3	12.0	4.0	PA6/66	Std.	Natural
66N.043120.050A	M 4	4.3	12.0	5.0	PA6/66	Std.	Natural
66N.043120.060A	M 4	4.3	12.0	6.0	PA6/66	Std.	Natural
66N.043120.070A	M 4	4.3	12.0	7.0	PA6/66	Std.	Natural
66N.043120.075A	M 4	4.3	12.0	7.5	PA6/66	Std.	Natural
66N.043120.080A	M 4	4.3	12.0	8.0	PA6/66	Std.	Natural
66N.043120.090A	M 4	4.3	12.0	9.0	PA6/66	Std.	Natural

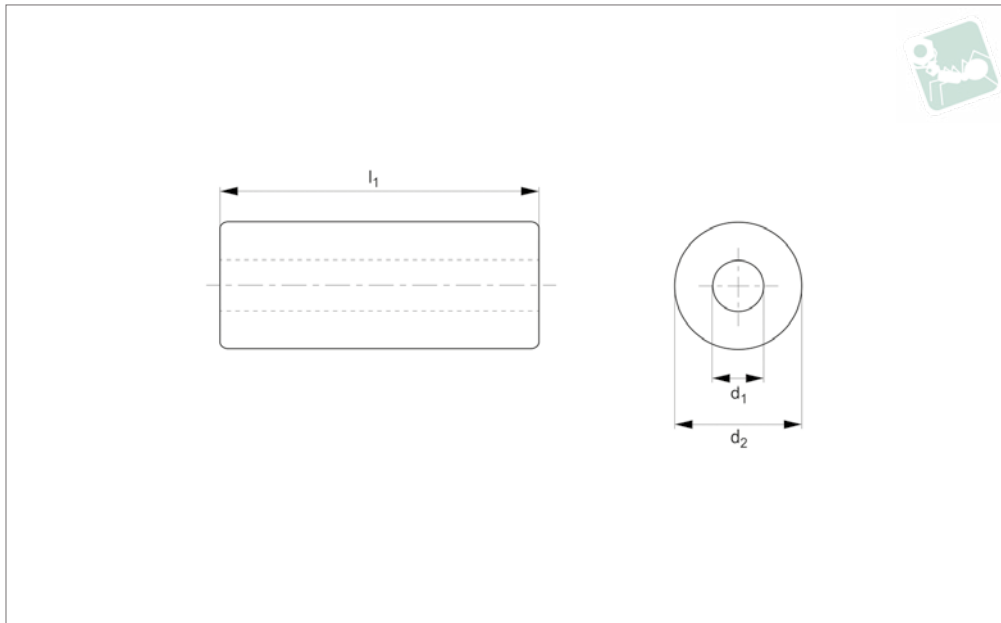


Order No.	For thread	d ₁	d ₂	l	Material	Grade	Finish
66N.043120.100A	M 4	4.3	12.0	10.0	PA6/66	Std.	Natural
66N.043120.110A	M 4	4.3	12.0	11.0	PA6/66	Std.	Natural
66N.043120.120A	M 4	4.3	12.0	12.0	PA6/66	Std.	Natural
66N.043120.125A	M 4	4.3	12.0	12.5	PA6/66	Std.	Natural
66N.043120.130A	M 4	4.3	12.0	13.0	PA6/66	Std.	Natural
66N.043120.140A	M 4	4.3	12.0	14.0	PA6/66	Std.	Natural
66N.043120.150A	M 4	4.3	12.0	15.0	PA6/66	Std.	Natural
66N.043120.160A	M 4	4.3	12.0	16.0	PA6/66	Std.	Natural
66N.043120.170A	M 4	4.3	12.0	17.0	PA6/66	Std.	Natural
66N.043120.175A	M 4	4.3	12.0	17.5	PA6/66	Std.	Natural
66N.043120.180A	M 4	4.3	12.0	18.0	PA6/66	Std.	Natural
66N.043120.190A	M 4	4.3	12.0	19.0	PA6/66	Std.	Natural
66N.043120.200A	M 4	4.3	12.0	20.0	PA6/66	Std.	Natural
66N.043120.210A	M 4	4.3	12.0	21.0	PA6/66	Std.	Natural
66N.043120.220A	M 4	4.3	12.0	22.0	PA6/66	Std.	Natural
66N.043120.225A	M 4	4.3	12.0	22.5	PA6/66	Std.	Natural
66N.043120.230A	M 4	4.3	12.0	23.0	PA6/66	Std.	Natural
66N.043120.240A	M 4	4.3	12.0	24.0	PA6/66	Std.	Natural
66N.043120.250A	M 4	4.3	12.0	25.0	PA6/66	Std.	Natural
66N.043120.260A	M 4	4.3	12.0	26.0	PA6/66	Std.	Natural
66N.043120.270A	M 4	4.3	12.0	27.0	PA6/66	Std.	Natural
66N.043120.280A	M 4	4.3	12.0	28.0	PA6/66	Std.	Natural
66N.043120.290A	M 4	4.3	12.0	29.0	PA6/66	Std.	Natural
66N.043120.300A	M 4	4.3	12.0	30.0	PA6/66	Std.	Natural
66N.052080.020A	M4,5	5.2	8.0	2.0	PA6/66	Std.	Natural
66N.052080.030A	M4,5	5.2	8.0	3.0	PA6/66	Std.	Natural
66N.052080.040A	M4,5	5.2	8.0	4.0	PA6/66	Std.	Natural
66N.052080.050A	M4,5	5.2	8.0	5.0	PA6/66	Std.	Natural
66N.052080.060A	M4,5	5.2	8.0	6.0	PA6/66	Std.	Natural
66N.052080.070A	M4,5	5.2	8.0	7.0	PA6/66	Std.	Natural
66N.052080.075A	M4,5	5.2	8.0	7.5	PA6/66	Std.	Natural
66N.052080.080A	M4,5	5.2	8.0	8.0	PA6/66	Std.	Natural
66N.052080.090A	M4,5	5.2	8.0	9.0	PA6/66	Std.	Natural
66N.052080.100A	M4,5	5.2	8.0	10.0	PA6/66	Std.	Natural
66N.052080.110A	M4,5	5.2	8.0	11.0	PA6/66	Std.	Natural
66N.052080.120A	M4,5	5.2	8.0	12.0	PA6/66	Std.	Natural
66N.052080.125A	M4,5	5.2	8.0	12.5	PA6/66	Std.	Natural
66N.052080.130A	M4,5	5.2	8.0	13.0	PA6/66	Std.	Natural
66N.052080.140A	M4,5	5.2	8.0	14.0	PA6/66	Std.	Natural
66N.052080.150A	M4,5	5.2	8.0	15.0	PA6/66	Std.	Natural
66N.052080.160A	M4,5	5.2	8.0	16.0	PA6/66	Std.	Natural
66N.052080.170A	M4,5	5.2	8.0	17.0	PA6/66	Std.	Natural
66N.052080.175A	M4,5	5.2	8.0	17.5	PA6/66	Std.	Natural
66N.052080.180A	M4,5	5.2	8.0	18.0	PA6/66	Std.	Natural
66N.052080.190A	M4,5	5.2	8.0	19.0	PA6/66	Std.	Natural
66N.052080.200A	M4,5	5.2	8.0	20.0	PA6/66	Std.	Natural
66N.052080.210A	M4,5	5.2	8.0	21.0	PA6/66	Std.	Natural
66N.052080.220A	M4,5	5.2	8.0	22.0	PA6/66	Std.	Natural
66N.052080.225A	M4,5	5.2	8.0	22.5	PA6/66	Std.	Natural
66N.052080.230A	M4,5	5.2	8.0	23.0	PA6/66	Std.	Natural
66N.052080.240A	M4,5	5.2	8.0	24.0	PA6/66	Std.	Natural
66N.052080.250A	M4,5	5.2	8.0	25.0	PA6/66	Std.	Natural
66N.052080.260A	M4,5	5.2	8.0	26.0	PA6/66	Std.	Natural
66N.052080.270A	M4,5	5.2	8.0	27.0	PA6/66	Std.	Natural
66N.052080.280A	M4,5	5.2	8.0	28.0	PA6/66	Std.	Natural
66N.052080.290A	M4,5	5.2	8.0	29.0	PA6/66	Std.	Natural
66N.052080.300A	M4,5	5.2	8.0	30.0	PA6/66	Std.	Natural
66N.052080.310A	M4,5	5.2	8.0	31.0	PA6/66	Std.	Natural
66N.052080.320A	M4,5	5.2	8.0	32.0	PA6/66	Std.	Natural
66N.052080.330A	M4,5	5.2	8.0	33.0	PA6/66	Std.	Natural
66N.052080.340A	M4,5	5.2	8.0	34.0	PA6/66	Std.	Natural
66N.052080.350A	M4,5	5.2	8.0	35.0	PA6/66	Std.	Natural
66N.052080.360A	M4,5	5.2	8.0	36.0	PA6/66	Std.	Natural
66N.052080.370A	M4,5	5.2	8.0	37.0	PA6/66	Std.	Natural
66N.052080.380A	M4,5	5.2	8.0	38.0	PA6/66	Std.	Natural
66N.052080.390A	M4,5	5.2	8.0	39.0	PA6/66	Std.	Natural
66N.052080.400A	M4,5	5.2	8.0	40.0	PA6/66	Std.	Natural
66N.052080.410A	M4,5	5.2	8.0	41.0	PA6/66	Std.	Natural
66N.052080.420A	M4,5	5.2	8.0	42.0	PA6/66	Std.	Natural

NYLON



Order No.	For thread	d ₁	d ₂	l	Material	Grade	Finish
66N.052080.430A	M4,5	5.2	8.0	43.0	PA6/66	Std.	Natural
66N.052080.440A	M4,5	5.2	8.0	44.0	PA6/66	Std.	Natural
66N.052080.450A	M4,5	5.2	8.0	45.0	PA6/66	Std.	Natural
66N.052080.460A	M4,5	5.2	8.0	46.0	PA6/66	Std.	Natural
66N.052080.470A	M4,5	5.2	8.0	47.0	PA6/66	Std.	Natural
66N.052080.480A	M4,5	5.2	8.0	48.0	PA6/66	Std.	Natural
66N.052080.490A	M4,5	5.2	8.0	49.0	PA6/66	Std.	Natural
66N.052080.500A	M4,5	5.2	8.0	50.0	PA6/66	Std.	Natural



N6000.66N.2

NYLON

Material

Nylon 66 (PA 6/66), standard. Natural.

Technical Notes

*"For thread" recommendation based on „fine/close fit“ tolerance for metric

fastener and clearance hole.

For normal and loose fit tolerances please make your own calculations.

Nylon parts offer good electrical insulation, is resistant to corrosion and most

dilute acids.

Nylon protects work surfaces and absorbs shocks and vibrations.

Order No.	For thread	d_1	d_2	l	Material	Grade	Finish
66N.053100.020A	M 5	5.3	10.0	2.0	PA6/66	Std.	Natural
66N.053100.030A	M 5	5.3	10.0	3.0	PA6/66	Std.	Natural
66N.053100.040A	M 5	5.3	10.0	4.0	PA6/66	Std.	Natural
66N.053100.050A	M 5	5.3	10.0	5.0	PA6/66	Std.	Natural
66N.053100.060A	M 5	5.3	10.0	6.0	PA6/66	Std.	Natural
66N.053100.070A	M 5	5.3	10.0	7.0	PA6/66	Std.	Natural
66N.053100.075A	M 5	5.3	10.0	7.5	PA6/66	Std.	Natural
66N.053100.080A	M 5	5.3	10.0	8.0	PA6/66	Std.	Natural
66N.053100.090A	M 5	5.3	10.0	9.0	PA6/66	Std.	Natural
66N.053100.100A	M 5	5.3	10.0	10.0	PA6/66	Std.	Natural
66N.053100.110A	M 5	5.3	10.0	11.0	PA6/66	Std.	Natural
66N.053100.120A	M 5	5.3	10.0	12.0	PA6/66	Std.	Natural
66N.053100.125A	M 5	5.3	10.0	12.5	PA6/66	Std.	Natural
66N.053100.130A	M 5	5.3	10.0	13.0	PA6/66	Std.	Natural
66N.053100.140A	M 5	5.3	10.0	14.0	PA6/66	Std.	Natural
66N.053100.150A	M 5	5.3	10.0	15.0	PA6/66	Std.	Natural
66N.053100.160A	M 5	5.3	10.0	16.0	PA6/66	Std.	Natural
66N.053100.170A	M 5	5.3	10.0	17.0	PA6/66	Std.	Natural
66N.053100.175A	M 5	5.3	10.0	17.5	PA6/66	Std.	Natural
66N.053100.180A	M 5	5.3	10.0	18.0	PA6/66	Std.	Natural
66N.053100.190A	M 5	5.3	10.0	19.0	PA6/66	Std.	Natural
66N.053100.200A	M 5	5.3	10.0	20.0	PA6/66	Std.	Natural
66N.053100.210A	M 5	5.3	10.0	21.0	PA6/66	Std.	Natural
66N.053100.220A	M 5	5.3	10.0	22.0	PA6/66	Std.	Natural
66N.053100.225A	M 5	5.3	10.0	22.5	PA6/66	Std.	Natural
66N.053100.230A	M 5	5.3	10.0	23.0	PA6/66	Std.	Natural
66N.053100.240A	M 5	5.3	10.0	24.0	PA6/66	Std.	Natural
66N.053100.250A	M 5	5.3	10.0	25.0	PA6/66	Std.	Natural
66N.053100.260A	M 5	5.3	10.0	26.0	PA6/66	Std.	Natural
66N.053100.270A	M 5	5.3	10.0	27.0	PA6/66	Std.	Natural
66N.053100.280A	M 5	5.3	10.0	28.0	PA6/66	Std.	Natural
66N.053100.290A	M 5	5.3	10.0	29.0	PA6/66	Std.	Natural
66N.053100.300A	M 5	5.3	10.0	30.0	PA6/66	Std.	Natural



Order No.	For thread	d ₁	d ₂	l	Material	Grade	Finish
66N.053120.020A	M 5	5.3	12.0	2.0	PA6/66	Std.	Natural
66N.053120.030A	M 5	5.3	12.0	3.0	PA6/66	Std.	Natural
66N.053120.040A	M 5	5.3	12.0	4.0	PA6/66	Std.	Natural
66N.053120.050A	M 5	5.3	12.0	5.0	PA6/66	Std.	Natural
66N.053120.060A	M 5	5.3	12.0	6.0	PA6/66	Std.	Natural
66N.053120.070A	M 5	5.3	12.0	7.0	PA6/66	Std.	Natural
66N.053120.075A	M 5	5.3	12.0	7.5	PA6/66	Std.	Natural
66N.053120.080A	M 5	5.3	12.0	8.0	PA6/66	Std.	Natural
66N.053120.090A	M 5	5.3	12.0	9.0	PA6/66	Std.	Natural
66N.053120.100A	M 5	5.3	12.0	10.0	PA6/66	Std.	Natural
66N.053120.110A	M 5	5.3	12.0	11.0	PA6/66	Std.	Natural
66N.053120.120A	M 5	5.3	12.0	12.0	PA6/66	Std.	Natural
66N.053120.125A	M 5	5.3	12.0	12.5	PA6/66	Std.	Natural
66N.053120.130A	M 5	5.3	12.0	13.0	PA6/66	Std.	Natural
66N.053120.140A	M 5	5.3	12.0	14.0	PA6/66	Std.	Natural
66N.053120.150A	M 5	5.3	12.0	15.0	PA6/66	Std.	Natural
66N.053120.160A	M 5	5.3	12.0	16.0	PA6/66	Std.	Natural
66N.053120.170A	M 5	5.3	12.0	17.0	PA6/66	Std.	Natural
66N.053120.175A	M 5	5.3	12.0	17.5	PA6/66	Std.	Natural
66N.053120.180A	M 5	5.3	12.0	18.0	PA6/66	Std.	Natural
66N.053120.190A	M 5	5.3	12.0	19.0	PA6/66	Std.	Natural
66N.053120.200A	M 5	5.3	12.0	20.0	PA6/66	Std.	Natural
66N.053120.210A	M 5	5.3	12.0	21.0	PA6/66	Std.	Natural
66N.053120.220A	M 5	5.3	12.0	22.0	PA6/66	Std.	Natural
66N.053120.225A	M 5	5.3	12.0	22.5	PA6/66	Std.	Natural
66N.053120.230A	M 5	5.3	12.0	23.0	PA6/66	Std.	Natural
66N.053120.240A	M 5	5.3	12.0	24.0	PA6/66	Std.	Natural
66N.053120.250A	M 5	5.3	12.0	25.0	PA6/66	Std.	Natural
66N.053120.260A	M 5	5.3	12.0	26.0	PA6/66	Std.	Natural
66N.053120.270A	M 5	5.3	12.0	27.0	PA6/66	Std.	Natural
66N.053120.280A	M 5	5.3	12.0	28.0	PA6/66	Std.	Natural
66N.053120.290A	M 5	5.3	12.0	29.0	PA6/66	Std.	Natural
66N.053120.300A	M 5	5.3	12.0	30.0	PA6/66	Std.	Natural
66N.053120.310A	M 5	5.3	12.0	31.0	PA6/66	Std.	Natural
66N.053120.320A	M 5	5.3	12.0	32.0	PA6/66	Std.	Natural
66N.053120.330A	M 5	5.3	12.0	33.0	PA6/66	Std.	Natural
66N.053120.340A	M 5	5.3	12.0	34.0	PA6/66	Std.	Natural
66N.053120.350A	M 5	5.3	12.0	35.0	PA6/66	Std.	Natural
66N.053120.360A	M 5	5.3	12.0	36.0	PA6/66	Std.	Natural
66N.053120.370A	M 5	5.3	12.0	37.0	PA6/66	Std.	Natural
66N.053120.380A	M 5	5.3	12.0	38.0	PA6/66	Std.	Natural
66N.053120.390A	M 5	5.3	12.0	39.0	PA6/66	Std.	Natural
66N.053120.400A	M 5	5.3	12.0	40.0	PA6/66	Std.	Natural
66N.053120.410A	M 5	5.3	12.0	41.0	PA6/66	Std.	Natural
66N.053120.420A	M 5	5.3	12.0	42.0	PA6/66	Std.	Natural
66N.053120.430A	M 5	5.3	12.0	43.0	PA6/66	Std.	Natural
66N.053120.440A	M 5	5.3	12.0	44.0	PA6/66	Std.	Natural
66N.053120.450A	M 5	5.3	12.0	45.0	PA6/66	Std.	Natural
66N.053120.460A	M 5	5.3	12.0	46.0	PA6/66	Std.	Natural
66N.053120.470A	M 5	5.3	12.0	47.0	PA6/66	Std.	Natural
66N.053120.480A	M 5	5.3	12.0	48.0	PA6/66	Std.	Natural
66N.053120.490A	M 5	5.3	12.0	49.0	PA6/66	Std.	Natural
66N.053120.500A	M 5	5.3	12.0	50.0	PA6/66	Std.	Natural
66N.053140.020A	M 5	5.3	14.0	2.0	PA6/66	Std.	Natural
66N.053140.030A	M 5	5.3	14.0	3.0	PA6/66	Std.	Natural
66N.053140.040A	M 5	5.3	14.0	4.0	PA6/66	Std.	Natural
66N.053140.050A	M 5	5.3	14.0	5.0	PA6/66	Std.	Natural
66N.053140.060A	M 5	5.3	14.0	6.0	PA6/66	Std.	Natural
66N.053140.070A	M 5	5.3	14.0	7.0	PA6/66	Std.	Natural
66N.053140.075A	M 5	5.3	14.0	7.5	PA6/66	Std.	Natural
66N.053140.080A	M 5	5.3	14.0	8.0	PA6/66	Std.	Natural
66N.053140.090A	M 5	5.3	14.0	9.0	PA6/66	Std.	Natural
66N.053140.100A	M 5	5.3	14.0	10.0	PA6/66	Std.	Natural
66N.053140.110A	M 5	5.3	14.0	11.0	PA6/66	Std.	Natural
66N.053140.120A	M 5	5.3	14.0	12.0	PA6/66	Std.	Natural
66N.053140.125A	M 5	5.3	14.0	12.5	PA6/66	Std.	Natural
66N.053140.130A	M 5	5.3	14.0	13.0	PA6/66	Std.	Natural
66N.053140.140A	M 5	5.3	14.0	14.0	PA6/66	Std.	Natural
66N.053140.150A	M 5	5.3	14.0	15.0	PA6/66	Std.	Natural



Spacers - I/D 5,3 - 6,2

Nylon

Order No.	For thread	d ₁	d ₂	l	Material	Grade	Finish
66N.053140.160A	M 5	5.3	14.0	16.0	PA6/66	Std.	Natural
66N.053140.170A	M 5	5.3	14.0	17.0	PA6/66	Std.	Natural
66N.053140.175A	M 5	5.3	14.0	17.5	PA6/66	Std.	Natural
66N.053140.180A	M 5	5.3	14.0	18.0	PA6/66	Std.	Natural
66N.053140.190A	M 5	5.3	14.0	19.0	PA6/66	Std.	Natural
66N.053140.200A	M 5	5.3	14.0	20.0	PA6/66	Std.	Natural
66N.053140.210A	M 5	5.3	14.0	21.0	PA6/66	Std.	Natural
66N.053140.220A	M 5	5.3	14.0	22.0	PA6/66	Std.	Natural
66N.053140.225A	M 5	5.3	14.0	22.5	PA6/66	Std.	Natural
66N.053140.230A	M 5	5.3	14.0	23.0	PA6/66	Std.	Natural
66N.053140.240A	M 5	5.3	14.0	24.0	PA6/66	Std.	Natural
66N.053140.250A	M 5	5.3	14.0	25.0	PA6/66	Std.	Natural
66N.053140.260A	M 5	5.3	14.0	26.0	PA6/66	Std.	Natural
66N.053140.270A	M 5	5.3	14.0	27.0	PA6/66	Std.	Natural
66N.053140.280A	M 5	5.3	14.0	28.0	PA6/66	Std.	Natural
66N.053140.290A	M 5	5.3	14.0	29.0	PA6/66	Std.	Natural
66N.053140.300A	M 5	5.3	14.0	30.0	PA6/66	Std.	Natural
66N.053140.310A	M 5	5.3	14.0	31.0	PA6/66	Std.	Natural
66N.053140.320A	M 5	5.3	14.0	32.0	PA6/66	Std.	Natural
66N.053140.330A	M 5	5.3	14.0	33.0	PA6/66	Std.	Natural
66N.053140.340A	M 5	5.3	14.0	34.0	PA6/66	Std.	Natural
66N.053140.350A	M 5	5.3	14.0	35.0	PA6/66	Std.	Natural
66N.053140.360A	M 5	5.3	14.0	36.0	PA6/66	Std.	Natural
66N.053140.370A	M 5	5.3	14.0	37.0	PA6/66	Std.	Natural
66N.053140.380A	M 5	5.3	14.0	38.0	PA6/66	Std.	Natural
66N.053140.390A	M 5	5.3	14.0	39.0	PA6/66	Std.	Natural
66N.053140.400A	M 5	5.3	14.0	40.0	PA6/66	Std.	Natural
66N.053140.410A	M 5	5.3	14.0	41.0	PA6/66	Std.	Natural
66N.053140.420A	M 5	5.3	14.0	42.0	PA6/66	Std.	Natural
66N.053140.430A	M 5	5.3	14.0	43.0	PA6/66	Std.	Natural
66N.053140.440A	M 5	5.3	14.0	44.0	PA6/66	Std.	Natural
66N.053140.450A	M 5	5.3	14.0	45.0	PA6/66	Std.	Natural
66N.053140.460A	M 5	5.3	14.0	46.0	PA6/66	Std.	Natural
66N.053140.470A	M 5	5.3	14.0	47.0	PA6/66	Std.	Natural
66N.053140.480A	M 5	5.3	14.0	48.0	PA6/66	Std.	Natural
66N.053140.490A	M 5	5.3	14.0	49.0	PA6/66	Std.	Natural
66N.053140.500A	M 5	5.3	14.0	50.0	PA6/66	Std.	Natural
66N.053150.020A	M 5	5.3	15.0	2.0	PA6/66	Std.	Natural
66N.053150.030A	M 5	5.3	15.0	3.0	PA6/66	Std.	Natural
66N.053150.040A	M 5	5.3	15.0	4.0	PA6/66	Std.	Natural
66N.053150.050A	M 5	5.3	15.0	5.0	PA6/66	Std.	Natural
66N.053150.060A	M 5	5.3	15.0	6.0	PA6/66	Std.	Natural
66N.053150.070A	M 5	5.3	15.0	7.0	PA6/66	Std.	Natural
66N.053150.075A	M 5	5.3	15.0	7.5	PA6/66	Std.	Natural
66N.053150.080A	M 5	5.3	15.0	8.0	PA6/66	Std.	Natural
66N.053150.090A	M 5	5.3	15.0	9.0	PA6/66	Std.	Natural
66N.053150.100A	M 5	5.3	15.0	10.0	PA6/66	Std.	Natural
66N.053150.110A	M 5	5.3	15.0	11.0	PA6/66	Std.	Natural
66N.053150.120A	M 5	5.3	15.0	12.0	PA6/66	Std.	Natural
66N.053150.125A	M 5	5.3	15.0	12.5	PA6/66	Std.	Natural
66N.053150.130A	M 5	5.3	15.0	13.0	PA6/66	Std.	Natural
66N.053150.140A	M 5	5.3	15.0	14.0	PA6/66	Std.	Natural
66N.053150.150A	M 5	5.3	15.0	15.0	PA6/66	Std.	Natural
66N.053150.160A	M 5	5.3	15.0	16.0	PA6/66	Std.	Natural
66N.053150.170A	M 5	5.3	15.0	17.0	PA6/66	Std.	Natural
66N.053150.175A	M 5	5.3	15.0	17.5	PA6/66	Std.	Natural
66N.053150.180A	M 5	5.3	15.0	18.0	PA6/66	Std.	Natural
66N.053150.190A	M 5	5.3	15.0	19.0	PA6/66	Std.	Natural
66N.053150.200A	M 5	5.3	15.0	20.0	PA6/66	Std.	Natural
66N.053150.210A	M 5	5.3	15.0	21.0	PA6/66	Std.	Natural
66N.053150.220A	M 5	5.3	15.0	22.0	PA6/66	Std.	Natural
66N.053150.225A	M 5	5.3	15.0	22.5	PA6/66	Std.	Natural
66N.053150.230A	M 5	5.3	15.0	23.0	PA6/66	Std.	Natural
66N.053150.240A	M 5	5.3	15.0	24.0	PA6/66	Std.	Natural
66N.053150.250A	M 5	5.3	15.0	25.0	PA6/66	Std.	Natural
66N.053150.260A	M 5	5.3	15.0	26.0	PA6/66	Std.	Natural
66N.053150.270A	M 5	5.3	15.0	27.0	PA6/66	Std.	Natural
66N.053150.280A	M 5	5.3	15.0	28.0	PA6/66	Std.	Natural
66N.053150.290A	M 5	5.3	15.0	29.0	PA6/66	Std.	Natural

NYLON



Order No.	For thread	d ₁	d ₂	l	Material	Grade	Finish
66N.053150.300A	M 5	5.3	15.0	30.0	PA6/66	Std.	Natural
66N.053160.020A	M 5	5.3	16.0	2.0	PA6/66	Std.	Natural
66N.053160.030A	M 5	5.3	16.0	3.0	PA6/66	Std.	Natural
66N.053160.040A	M 5	5.3	16.0	4.0	PA6/66	Std.	Natural
66N.053160.050A	M 5	5.3	16.0	5.0	PA6/66	Std.	Natural
66N.053160.060A	M 5	5.3	16.0	6.0	PA6/66	Std.	Natural
66N.053160.070A	M 5	5.3	16.0	7.0	PA6/66	Std.	Natural
66N.053160.075A	M 5	5.3	16.0	7.5	PA6/66	Std.	Natural
66N.053160.080A	M 5	5.3	16.0	8.0	PA6/66	Std.	Natural
66N.053160.090A	M 5	5.3	16.0	9.0	PA6/66	Std.	Natural
66N.053160.100A	M 5	5.3	16.0	10.0	PA6/66	Std.	Natural
66N.053160.110A	M 5	5.3	16.0	11.0	PA6/66	Std.	Natural
66N.053160.120A	M 5	5.3	16.0	12.0	PA6/66	Std.	Natural
66N.053160.125A	M 5	5.3	16.0	12.5	PA6/66	Std.	Natural
66N.053160.130A	M 5	5.3	16.0	13.0	PA6/66	Std.	Natural
66N.053160.140A	M 5	5.3	16.0	14.0	PA6/66	Std.	Natural
66N.053160.150A	M 5	5.3	16.0	15.0	PA6/66	Std.	Natural
66N.053160.160A	M 5	5.3	16.0	16.0	PA6/66	Std.	Natural
66N.053160.170A	M 5	5.3	16.0	17.0	PA6/66	Std.	Natural
66N.053160.175A	M 5	5.3	16.0	17.5	PA6/66	Std.	Natural
66N.053160.180A	M 5	5.3	16.0	18.0	PA6/66	Std.	Natural
66N.053160.190A	M 5	5.3	16.0	19.0	PA6/66	Std.	Natural
66N.053160.200A	M 5	5.3	16.0	20.0	PA6/66	Std.	Natural
66N.053160.210A	M 5	5.3	16.0	21.0	PA6/66	Std.	Natural
66N.053160.220A	M 5	5.3	16.0	22.0	PA6/66	Std.	Natural
66N.053160.225A	M 5	5.3	16.0	22.5	PA6/66	Std.	Natural
66N.053160.230A	M 5	5.3	16.0	23.0	PA6/66	Std.	Natural
66N.053160.240A	M 5	5.3	16.0	24.0	PA6/66	Std.	Natural
66N.053160.250A	M 5	5.3	16.0	25.0	PA6/66	Std.	Natural
66N.053160.260A	M 5	5.3	16.0	26.0	PA6/66	Std.	Natural
66N.053160.270A	M 5	5.3	16.0	27.0	PA6/66	Std.	Natural
66N.053160.280A	M 5	5.3	16.0	28.0	PA6/66	Std.	Natural
66N.053160.290A	M 5	5.3	16.0	29.0	PA6/66	Std.	Natural
66N.053160.300A	M 5	5.3	16.0	30.0	PA6/66	Std.	Natural
66N.053200.020A	M 5	5.3	20.0	2.0	PA6/66	Std.	Natural
66N.053200.030A	M 5	5.3	20.0	3.0	PA6/66	Std.	Natural
66N.053200.040A	M 5	5.3	20.0	4.0	PA6/66	Std.	Natural
66N.053200.050A	M 5	5.3	20.0	5.0	PA6/66	Std.	Natural
66N.053200.060A	M 5	5.3	20.0	6.0	PA6/66	Std.	Natural
66N.053200.070A	M 5	5.3	20.0	7.0	PA6/66	Std.	Natural
66N.053200.075A	M 5	5.3	20.0	7.5	PA6/66	Std.	Natural
66N.053200.080A	M 5	5.3	20.0	8.0	PA6/66	Std.	Natural
66N.053200.090A	M 5	5.3	20.0	9.0	PA6/66	Std.	Natural
66N.053200.100A	M 5	5.3	20.0	10.0	PA6/66	Std.	Natural
66N.053200.110A	M 5	5.3	20.0	11.0	PA6/66	Std.	Natural
66N.053200.120A	M 5	5.3	20.0	12.0	PA6/66	Std.	Natural
66N.053200.125A	M 5	5.3	20.0	12.5	PA6/66	Std.	Natural
66N.053200.130A	M 5	5.3	20.0	13.0	PA6/66	Std.	Natural
66N.053200.140A	M 5	5.3	20.0	14.0	PA6/66	Std.	Natural
66N.053200.150A	M 5	5.3	20.0	15.0	PA6/66	Std.	Natural
66N.053200.160A	M 5	5.3	20.0	16.0	PA6/66	Std.	Natural
66N.053200.170A	M 5	5.3	20.0	17.0	PA6/66	Std.	Natural
66N.053200.175A	M 5	5.3	20.0	17.5	PA6/66	Std.	Natural
66N.053200.180A	M 5	5.3	20.0	18.0	PA6/66	Std.	Natural
66N.053200.190A	M 5	5.3	20.0	19.0	PA6/66	Std.	Natural
66N.053200.200A	M 5	5.3	20.0	20.0	PA6/66	Std.	Natural
66N.053200.210A	M 5	5.3	20.0	21.0	PA6/66	Std.	Natural
66N.053200.220A	M 5	5.3	20.0	22.0	PA6/66	Std.	Natural
66N.053200.225A	M 5	5.3	20.0	22.5	PA6/66	Std.	Natural
66N.053200.230A	M 5	5.3	20.0	23.0	PA6/66	Std.	Natural
66N.053200.240A	M 5	5.3	20.0	24.0	PA6/66	Std.	Natural
66N.053200.250A	M 5	5.3	20.0	25.0	PA6/66	Std.	Natural
66N.053200.260A	M 5	5.3	20.0	26.0	PA6/66	Std.	Natural
66N.053200.270A	M 5	5.3	20.0	27.0	PA6/66	Std.	Natural
66N.053200.280A	M 5	5.3	20.0	28.0	PA6/66	Std.	Natural
66N.053200.290A	M 5	5.3	20.0	29.0	PA6/66	Std.	Natural
66N.053200.300A	M 5	5.3	20.0	30.0	PA6/66	Std.	Natural
66N.053240.020A	M 5	5.3	24.0	2.0	PA6/66	Std.	Natural
66N.053240.030A	M 5	5.3	24.0	3.0	PA6/66	Std.	Natural



Spacers - I/D 5,3 - 6,2

Nylon

Order No.	For thread	d ₁	d ₂	l	Material	Grade	Finish
66N.053240.040A	M 5	5.3	24.0	4.0	PA6/66	Std.	Natural
66N.053240.050A	M 5	5.3	24.0	5.0	PA6/66	Std.	Natural
66N.053240.060A	M 5	5.3	24.0	6.0	PA6/66	Std.	Natural
66N.053240.070A	M 5	5.3	24.0	7.0	PA6/66	Std.	Natural
66N.053240.075A	M 5	5.3	24.0	7.5	PA6/66	Std.	Natural
66N.053240.080A	M 5	5.3	24.0	8.0	PA6/66	Std.	Natural
66N.053240.090A	M 5	5.3	24.0	9.0	PA6/66	Std.	Natural
66N.053240.100A	M 5	5.3	24.0	10.0	PA6/66	Std.	Natural
66N.053240.110A	M 5	5.3	24.0	11.0	PA6/66	Std.	Natural
66N.053240.120A	M 5	5.3	24.0	12.0	PA6/66	Std.	Natural
66N.053240.125A	M 5	5.3	24.0	12.5	PA6/66	Std.	Natural
66N.053240.130A	M 5	5.3	24.0	13.0	PA6/66	Std.	Natural
66N.053240.140A	M 5	5.3	24.0	14.0	PA6/66	Std.	Natural
66N.053240.150A	M 5	5.3	24.0	15.0	PA6/66	Std.	Natural
66N.053240.160A	M 5	5.3	24.0	16.0	PA6/66	Std.	Natural
66N.053240.170A	M 5	5.3	24.0	17.0	PA6/66	Std.	Natural
66N.053240.175A	M 5	5.3	24.0	17.5	PA6/66	Std.	Natural
66N.053240.180A	M 5	5.3	24.0	18.0	PA6/66	Std.	Natural
66N.053240.190A	M 5	5.3	24.0	19.0	PA6/66	Std.	Natural
66N.053240.200A	M 5	5.3	24.0	20.0	PA6/66	Std.	Natural
66N.053240.210A	M 5	5.3	24.0	21.0	PA6/66	Std.	Natural
66N.053240.220A	M 5	5.3	24.0	22.0	PA6/66	Std.	Natural
66N.053240.225A	M 5	5.3	24.0	22.5	PA6/66	Std.	Natural
66N.053240.230A	M 5	5.3	24.0	23.0	PA6/66	Std.	Natural
66N.053240.240A	M 5	5.3	24.0	24.0	PA6/66	Std.	Natural
66N.053240.250A	M 5	5.3	24.0	25.0	PA6/66	Std.	Natural
66N.053240.260A	M 5	5.3	24.0	26.0	PA6/66	Std.	Natural
66N.053240.270A	M 5	5.3	24.0	27.0	PA6/66	Std.	Natural
66N.053240.280A	M 5	5.3	24.0	28.0	PA6/66	Std.	Natural
66N.053240.290A	M 5	5.3	24.0	29.0	PA6/66	Std.	Natural
66N.053240.300A	M 5	5.3	24.0	30.0	PA6/66	Std.	Natural
66N.053280.020A	M 5	5.3	28.0	2.0	PA6/66	Std.	Natural
66N.053280.030A	M 5	5.3	28.0	3.0	PA6/66	Std.	Natural
66N.053280.040A	M 5	5.3	28.0	4.0	PA6/66	Std.	Natural
66N.053280.050A	M 5	5.3	28.0	5.0	PA6/66	Std.	Natural
66N.053280.060A	M 5	5.3	28.0	6.0	PA6/66	Std.	Natural
66N.053280.070A	M 5	5.3	28.0	7.0	PA6/66	Std.	Natural
66N.053280.075A	M 5	5.3	28.0	7.5	PA6/66	Std.	Natural
66N.053280.080A	M 5	5.3	28.0	8.0	PA6/66	Std.	Natural
66N.053280.090A	M 5	5.3	28.0	9.0	PA6/66	Std.	Natural
66N.053280.100A	M 5	5.3	28.0	10.0	PA6/66	Std.	Natural
66N.053280.110A	M 5	5.3	28.0	11.0	PA6/66	Std.	Natural
66N.053280.120A	M 5	5.3	28.0	12.0	PA6/66	Std.	Natural
66N.053280.125A	M 5	5.3	28.0	12.5	PA6/66	Std.	Natural
66N.053280.130A	M 5	5.3	28.0	13.0	PA6/66	Std.	Natural
66N.053280.140A	M 5	5.3	28.0	14.0	PA6/66	Std.	Natural
66N.053280.150A	M 5	5.3	28.0	15.0	PA6/66	Std.	Natural
66N.053280.160A	M 5	5.3	28.0	16.0	PA6/66	Std.	Natural
66N.053280.170A	M 5	5.3	28.0	17.0	PA6/66	Std.	Natural
66N.053280.175A	M 5	5.3	28.0	17.5	PA6/66	Std.	Natural
66N.053280.180A	M 5	5.3	28.0	18.0	PA6/66	Std.	Natural
66N.053280.190A	M 5	5.3	28.0	19.0	PA6/66	Std.	Natural
66N.053280.200A	M 5	5.3	28.0	20.0	PA6/66	Std.	Natural
66N.053280.210A	M 5	5.3	28.0	21.0	PA6/66	Std.	Natural
66N.053280.220A	M 5	5.3	28.0	22.0	PA6/66	Std.	Natural
66N.053280.225A	M 5	5.3	28.0	22.5	PA6/66	Std.	Natural
66N.053280.230A	M 5	5.3	28.0	23.0	PA6/66	Std.	Natural
66N.053280.240A	M 5	5.3	28.0	24.0	PA6/66	Std.	Natural
66N.053280.250A	M 5	5.3	28.0	25.0	PA6/66	Std.	Natural
66N.053280.260A	M 5	5.3	28.0	26.0	PA6/66	Std.	Natural
66N.053280.270A	M 5	5.3	28.0	27.0	PA6/66	Std.	Natural
66N.053280.280A	M 5	5.3	28.0	28.0	PA6/66	Std.	Natural
66N.053280.290A	M 5	5.3	28.0	29.0	PA6/66	Std.	Natural
66N.053280.300A	M 5	5.3	28.0	30.0	PA6/66	Std.	Natural
66N.060080.020A	M 5	6.0	8.0	2.0	PA6/66	Std.	Natural
66N.060080.030A	M 5	6.0	8.0	3.0	PA6/66	Std.	Natural
66N.060080.040A	M 5	6.0	8.0	4.0	PA6/66	Std.	Natural
66N.060080.050A	M 5	6.0	8.0	5.0	PA6/66	Std.	Natural
66N.060080.060A	M 5	6.0	8.0	6.0	PA6/66	Std.	Natural

NYLON



Order No.	For thread	d ₁	d ₂	l	Material	Grade	Finish
66N.060080.070A	M 5	6.0	8.0	7.0	PA6/66	Std.	Natural
66N.060080.075A	M 5	6.0	8.0	7.5	PA6/66	Std.	Natural
66N.060080.080A	M 5	6.0	8.0	8.0	PA6/66	Std.	Natural
66N.060080.090A	M 5	6.0	8.0	9.0	PA6/66	Std.	Natural
66N.060080.100A	M 5	6.0	8.0	10.0	PA6/66	Std.	Natural
66N.060080.110A	M 5	6.0	8.0	11.0	PA6/66	Std.	Natural
66N.060080.120A	M 5	6.0	8.0	12.0	PA6/66	Std.	Natural
66N.060080.125A	M 5	6.0	8.0	12.5	PA6/66	Std.	Natural
66N.060080.130A	M 5	6.0	8.0	13.0	PA6/66	Std.	Natural
66N.060080.140A	M 5	6.0	8.0	14.0	PA6/66	Std.	Natural
66N.060080.150A	M 5	6.0	8.0	15.0	PA6/66	Std.	Natural
66N.060080.160A	M 5	6.0	8.0	16.0	PA6/66	Std.	Natural
66N.060080.170A	M 5	6.0	8.0	17.0	PA6/66	Std.	Natural
66N.060080.175A	M 5	6.0	8.0	17.5	PA6/66	Std.	Natural
66N.060080.180A	M 5	6.0	8.0	18.0	PA6/66	Std.	Natural
66N.060080.190A	M 5	6.0	8.0	19.0	PA6/66	Std.	Natural
66N.060080.200A	M 5	6.0	8.0	20.0	PA6/66	Std.	Natural
66N.060080.210A	M 5	6.0	8.0	21.0	PA6/66	Std.	Natural
66N.060080.220A	M 5	6.0	8.0	22.0	PA6/66	Std.	Natural
66N.060080.225A	M 5	6.0	8.0	22.5	PA6/66	Std.	Natural
66N.060080.230A	M 5	6.0	8.0	23.0	PA6/66	Std.	Natural
66N.060080.240A	M 5	6.0	8.0	24.0	PA6/66	Std.	Natural
66N.060080.250A	M 5	6.0	8.0	25.0	PA6/66	Std.	Natural
66N.060080.260A	M 5	6.0	8.0	26.0	PA6/66	Std.	Natural
66N.060080.270A	M 5	6.0	8.0	27.0	PA6/66	Std.	Natural
66N.060080.280A	M 5	6.0	8.0	28.0	PA6/66	Std.	Natural
66N.060080.290A	M 5	6.0	8.0	29.0	PA6/66	Std.	Natural
66N.060080.300A	M 5	6.0	8.0	30.0	PA6/66	Std.	Natural
66N.062140.020A	M 5	6.2	14.0	2.0	PA6/66	Std.	Natural
66N.062140.030A	M 5	6.2	14.0	3.0	PA6/66	Std.	Natural
66N.062140.040A	M 5	6.2	14.0	4.0	PA6/66	Std.	Natural
66N.062140.050A	M 5	6.2	14.0	5.0	PA6/66	Std.	Natural
66N.062140.060A	M 5	6.2	14.0	6.0	PA6/66	Std.	Natural
66N.062140.070A	M 5	6.2	14.0	7.0	PA6/66	Std.	Natural
66N.062140.075A	M 5	6.2	14.0	7.5	PA6/66	Std.	Natural
66N.062140.080A	M 5	6.2	14.0	8.0	PA6/66	Std.	Natural
66N.062140.090A	M 5	6.2	14.0	9.0	PA6/66	Std.	Natural
66N.062140.100A	M 5	6.2	14.0	10.0	PA6/66	Std.	Natural
66N.062140.110A	M 5	6.2	14.0	11.0	PA6/66	Std.	Natural
66N.062140.120A	M 5	6.2	14.0	12.0	PA6/66	Std.	Natural
66N.062140.125A	M 5	6.2	14.0	12.5	PA6/66	Std.	Natural
66N.062140.130A	M 5	6.2	14.0	13.0	PA6/66	Std.	Natural
66N.062140.140A	M 5	6.2	14.0	14.0	PA6/66	Std.	Natural
66N.062140.150A	M 5	6.2	14.0	15.0	PA6/66	Std.	Natural
66N.062140.160A	M 5	6.2	14.0	16.0	PA6/66	Std.	Natural
66N.062140.170A	M 5	6.2	14.0	17.0	PA6/66	Std.	Natural
66N.062140.175A	M 5	6.2	14.0	17.5	PA6/66	Std.	Natural
66N.062140.180A	M 5	6.2	14.0	18.0	PA6/66	Std.	Natural
66N.062140.190A	M 5	6.2	14.0	19.0	PA6/66	Std.	Natural
66N.062140.200A	M 5	6.2	14.0	20.0	PA6/66	Std.	Natural
66N.062140.210A	M 5	6.2	14.0	21.0	PA6/66	Std.	Natural
66N.062140.220A	M 5	6.2	14.0	22.0	PA6/66	Std.	Natural
66N.062140.225A	M 5	6.2	14.0	22.5	PA6/66	Std.	Natural
66N.062140.230A	M 5	6.2	14.0	23.0	PA6/66	Std.	Natural
66N.062140.240A	M 5	6.2	14.0	24.0	PA6/66	Std.	Natural
66N.062140.250A	M 5	6.2	14.0	25.0	PA6/66	Std.	Natural
66N.062140.260A	M 5	6.2	14.0	26.0	PA6/66	Std.	Natural
66N.062140.270A	M 5	6.2	14.0	27.0	PA6/66	Std.	Natural
66N.062140.280A	M 5	6.2	14.0	28.0	PA6/66	Std.	Natural
66N.062140.290A	M 5	6.2	14.0	29.0	PA6/66	Std.	Natural
66N.062140.300A	M 5	6.2	14.0	30.0	PA6/66	Std.	Natural
66N.062300.030A	M 5	6.2	30.0	3.0	PA6/66	Std.	Natural
66N.062300.040A	M 5	6.2	30.0	4.0	PA6/66	Std.	Natural
66N.062300.050A	M 5	6.2	30.0	5.0	PA6/66	Std.	Natural
66N.062300.060A	M 5	6.2	30.0	6.0	PA6/66	Std.	Natural
66N.062300.070A	M 5	6.2	30.0	7.0	PA6/66	Std.	Natural
66N.062300.075A	M 5	6.2	30.0	7.5	PA6/66	Std.	Natural
66N.062300.080A	M 5	6.2	30.0	8.0	PA6/66	Std.	Natural
66N.062300.090A	M 5	6.2	30.0	9.0	PA6/66	Std.	Natural



Spacers - I/D 5,3 - 6,2

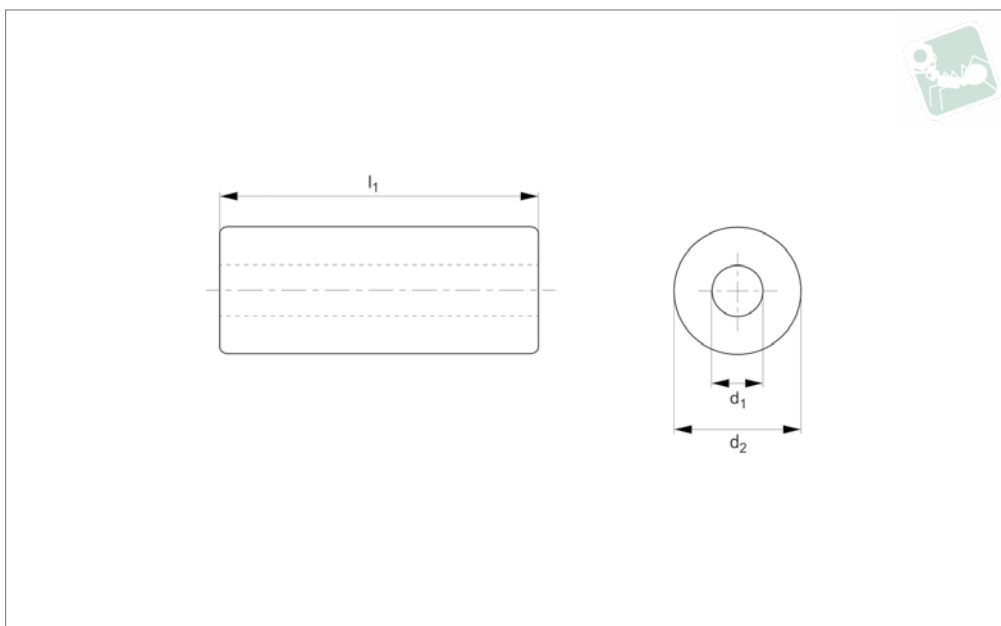
Nylon

Order No.	For thread	d ₁	d ₂	l	Material	Grade	Finish
66N.062300.100A	M 5	6.2	30.0	10.0	PA6/66	Std.	Natural
66N.062300.110A	M 5	6.2	30.0	11.0	PA6/66	Std.	Natural
66N.062300.120A	M 5	6.2	30.0	12.0	PA6/66	Std.	Natural
66N.062300.125A	M 5	6.2	30.0	12.5	PA6/66	Std.	Natural
66N.062300.130A	M 5	6.2	30.0	13.0	PA6/66	Std.	Natural
66N.062300.140A	M 5	6.2	30.0	14.0	PA6/66	Std.	Natural
66N.062300.150A	M 5	6.2	30.0	15.0	PA6/66	Std.	Natural
66N.062300.160A	M 5	6.2	30.0	16.0	PA6/66	Std.	Natural
66N.062300.170A	M 5	6.2	30.0	17.0	PA6/66	Std.	Natural
66N.062300.175A	M 5	6.2	30.0	17.5	PA6/66	Std.	Natural
66N.062300.180A	M 5	6.2	30.0	18.0	PA6/66	Std.	Natural
66N.062300.190A	M 5	6.2	30.0	19.0	PA6/66	Std.	Natural
66N.062300.200A	M 5	6.2	30.0	20.0	PA6/66	Std.	Natural
66N.062300.210A	M 5	6.2	30.0	21.0	PA6/66	Std.	Natural
66N.062300.220A	M 5	6.2	30.0	22.0	PA6/66	Std.	Natural
66N.062300.225A	M 5	6.2	30.0	22.5	PA6/66	Std.	Natural
66N.062300.230A	M 5	6.2	30.0	23.0	PA6/66	Std.	Natural
66N.062300.240A	M 5	6.2	30.0	24.0	PA6/66	Std.	Natural
66N.062300.250A	M 5	6.2	30.0	25.0	PA6/66	Std.	Natural
66N.062300.260A	M 5	6.2	30.0	26.0	PA6/66	Std.	Natural
66N.062300.270A	M 5	6.2	30.0	27.0	PA6/66	Std.	Natural
66N.062300.280A	M 5	6.2	30.0	28.0	PA6/66	Std.	Natural
66N.062300.290A	M 5	6.2	30.0	29.0	PA6/66	Std.	Natural
66N.062300.300A	M 5	6.2	30.0	30.0	PA6/66	Std.	Natural
66N.062300.310A	M 5	6.2	30.0	31.0	PA6/66	Std.	Natural
66N.062300.320A	M 5	6.2	30.0	32.0	PA6/66	Std.	Natural
66N.062300.330A	M 5	6.2	30.0	33.0	PA6/66	Std.	Natural
66N.062300.340A	M 5	6.2	30.0	34.0	PA6/66	Std.	Natural
66N.062300.350A	M 5	6.2	30.0	35.0	PA6/66	Std.	Natural

NYLON



N6000.66N.3



Material

Nylon 66 (PA 6/66), standard. Natural.

Technical Notes

For thread recommendation based on „fine/close fit“ tolerance for metric

fastener and clearance hole.

For normal and loose fit tolerances please make your own calculations.

Nylon parts offer good electrical insulation, is resistant to corrosion and most

dilute acids.

Nylon protects work surfaces and absorbs shocks and vibrations.

Order No.	For thread	d ₁	d ₂	l	Material	Grade	Finish
66N.064100.020A	M 6	6.4	10.0	2.0	PA6/66	Std.	Natural
66N.064100.030A	M 6	6.4	10.0	3.0	PA6/66	Std.	Natural
66N.064100.040A	M 6	6.4	10.0	4.0	PA6/66	Std.	Natural
66N.064100.050A	M 6	6.4	10.0	5.0	PA6/66	Std.	Natural
66N.064100.060A	M 6	6.4	10.0	6.0	PA6/66	Std.	Natural
66N.064100.070A	M 6	6.4	10.0	7.0	PA6/66	Std.	Natural
66N.064100.075A	M 6	6.4	10.0	7.5	PA6/66	Std.	Natural
66N.064100.080A	M 6	6.4	10.0	8.0	PA6/66	Std.	Natural
66N.064100.090A	M 6	6.4	10.0	9.0	PA6/66	Std.	Natural
66N.064100.100A	M 6	6.4	10.0	10.0	PA6/66	Std.	Natural
66N.064100.110A	M 6	6.4	10.0	11.0	PA6/66	Std.	Natural
66N.064100.120A	M 6	6.4	10.0	12.0	PA6/66	Std.	Natural
66N.064100.125A	M 6	6.4	10.0	12.5	PA6/66	Std.	Natural
66N.064100.130A	M 6	6.4	10.0	13.0	PA6/66	Std.	Natural
66N.064100.140A	M 6	6.4	10.0	14.0	PA6/66	Std.	Natural
66N.064100.150A	M 6	6.4	10.0	15.0	PA6/66	Std.	Natural
66N.064100.160A	M 6	6.4	10.0	16.0	PA6/66	Std.	Natural
66N.064100.170A	M 6	6.4	10.0	17.0	PA6/66	Std.	Natural
66N.064100.175A	M 6	6.4	10.0	17.5	PA6/66	Std.	Natural
66N.064100.180A	M 6	6.4	10.0	18.0	PA6/66	Std.	Natural
66N.064100.190A	M 6	6.4	10.0	19.0	PA6/66	Std.	Natural
66N.064100.200A	M 6	6.4	10.0	20.0	PA6/66	Std.	Natural
66N.064100.210A	M 6	6.4	10.0	21.0	PA6/66	Std.	Natural
66N.064100.220A	M 6	6.4	10.0	22.0	PA6/66	Std.	Natural
66N.064100.225A	M 6	6.4	10.0	22.5	PA6/66	Std.	Natural
66N.064100.230A	M 6	6.4	10.0	23.0	PA6/66	Std.	Natural
66N.064100.240A	M 6	6.4	10.0	24.0	PA6/66	Std.	Natural
66N.064100.250A	M 6	6.4	10.0	25.0	PA6/66	Std.	Natural
66N.064100.260A	M 6	6.4	10.0	26.0	PA6/66	Std.	Natural
66N.064100.270A	M 6	6.4	10.0	27.0	PA6/66	Std.	Natural
66N.064100.280A	M 6	6.4	10.0	28.0	PA6/66	Std.	Natural
66N.064100.290A	M 6	6.4	10.0	29.0	PA6/66	Std.	Natural
66N.064100.300A	M 6	6.4	10.0	30.0	PA6/66	Std.	Natural



Spacers - I/D 6,3 - 7,2

Nylon

Order No.	For thread	d ₁	d ₂	l	Material	Grade	Finish
66N.064100.310A	M 6	6.4	10.0	31.0	PA6/66	Std.	Natural
66N.064100.320A	M 6	6.4	10.0	32.0	PA6/66	Std.	Natural
66N.064100.330A	M 6	6.4	10.0	33.0	PA6/66	Std.	Natural
66N.064100.340A	M 6	6.4	10.0	34.0	PA6/66	Std.	Natural
66N.064100.350A	M 6	6.4	10.0	35.0	PA6/66	Std.	Natural
66N.064100.360A	M 6	6.4	10.0	36.0	PA6/66	Std.	Natural
66N.064100.370A	M 6	6.4	10.0	37.0	PA6/66	Std.	Natural
66N.064100.380A	M 6	6.4	10.0	38.0	PA6/66	Std.	Natural
66N.064100.390A	M 6	6.4	10.0	39.0	PA6/66	Std.	Natural
66N.064100.400A	M 6	6.4	10.0	40.0	PA6/66	Std.	Natural
66N.064125.020A	M 6	6.4	12.5	2.0	PA6/66	Std.	Natural
66N.064125.030A	M 6	6.4	12.5	3.0	PA6/66	Std.	Natural
66N.064125.040A	M 6	6.4	12.5	4.0	PA6/66	Std.	Natural
66N.064125.050A	M 6	6.4	12.5	5.0	PA6/66	Std.	Natural
66N.064125.060A	M 6	6.4	12.5	6.0	PA6/66	Std.	Natural
66N.064125.070A	M 6	6.4	12.5	7.0	PA6/66	Std.	Natural
66N.064125.075A	M 6	6.4	12.5	7.5	PA6/66	Std.	Natural
66N.064125.080A	M 6	6.4	12.5	8.0	PA6/66	Std.	Natural
66N.064125.090A	M 6	6.4	12.5	9.0	PA6/66	Std.	Natural
66N.064125.100A	M 6	6.4	12.5	10.0	PA6/66	Std.	Natural
66N.064125.110A	M 6	6.4	12.5	11.0	PA6/66	Std.	Natural
66N.064125.120A	M 6	6.4	12.5	12.0	PA6/66	Std.	Natural
66N.064125.125A	M 6	6.4	12.5	12.5	PA6/66	Std.	Natural
66N.064125.130A	M 6	6.4	12.5	13.0	PA6/66	Std.	Natural
66N.064125.140A	M 6	6.4	12.5	14.0	PA6/66	Std.	Natural
66N.064125.150A	M 6	6.4	12.5	15.0	PA6/66	Std.	Natural
66N.064125.160A	M 6	6.4	12.5	16.0	PA6/66	Std.	Natural
66N.064125.170A	M 6	6.4	12.5	17.0	PA6/66	Std.	Natural
66N.064125.175A	M 6	6.4	12.5	17.5	PA6/66	Std.	Natural
66N.064125.180A	M 6	6.4	12.5	18.0	PA6/66	Std.	Natural
66N.064125.190A	M 6	6.4	12.5	19.0	PA6/66	Std.	Natural
66N.064125.200A	M 6	6.4	12.5	20.0	PA6/66	Std.	Natural
66N.064125.210A	M 6	6.4	12.5	21.0	PA6/66	Std.	Natural
66N.064125.220A	M 6	6.4	12.5	22.0	PA6/66	Std.	Natural
66N.064125.225A	M 6	6.4	12.5	22.5	PA6/66	Std.	Natural
66N.064125.230A	M 6	6.4	12.5	23.0	PA6/66	Std.	Natural
66N.064125.240A	M 6	6.4	12.5	24.0	PA6/66	Std.	Natural
66N.064125.250A	M 6	6.4	12.5	25.0	PA6/66	Std.	Natural
66N.064125.260A	M 6	6.4	12.5	26.0	PA6/66	Std.	Natural
66N.064125.270A	M 6	6.4	12.5	27.0	PA6/66	Std.	Natural
66N.064125.280A	M 6	6.4	12.5	28.0	PA6/66	Std.	Natural
66N.064125.290A	M 6	6.4	12.5	29.0	PA6/66	Std.	Natural
66N.064125.300A	M 6	6.4	12.5	30.0	PA6/66	Std.	Natural
66N.064150.020A	M 6	6.4	15.0	2.0	PA6/66	Std.	Natural
66N.064150.030A	M 6	6.4	15.0	3.0	PA6/66	Std.	Natural
66N.064150.040A	M 6	6.4	15.0	4.0	PA6/66	Std.	Natural
66N.064150.050A	M 6	6.4	15.0	5.0	PA6/66	Std.	Natural
66N.064150.060A	M 6	6.4	15.0	6.0	PA6/66	Std.	Natural
66N.064150.070A	M 6	6.4	15.0	7.0	PA6/66	Std.	Natural
66N.064150.075A	M 6	6.4	15.0	7.5	PA6/66	Std.	Natural
66N.064150.080A	M 6	6.4	15.0	8.0	PA6/66	Std.	Natural
66N.064150.090A	M 6	6.4	15.0	9.0	PA6/66	Std.	Natural
66N.064150.100A	M 6	6.4	15.0	10.0	PA6/66	Std.	Natural
66N.064150.110A	M 6	6.4	15.0	11.0	PA6/66	Std.	Natural
66N.064150.120A	M 6	6.4	15.0	12.0	PA6/66	Std.	Natural
66N.064150.125A	M 6	6.4	15.0	12.5	PA6/66	Std.	Natural
66N.064150.130A	M 6	6.4	15.0	13.0	PA6/66	Std.	Natural
66N.064150.140A	M 6	6.4	15.0	14.0	PA6/66	Std.	Natural
66N.064150.150A	M 6	6.4	15.0	15.0	PA6/66	Std.	Natural
66N.064150.160A	M 6	6.4	15.0	16.0	PA6/66	Std.	Natural
66N.064150.170A	M 6	6.4	15.0	17.0	PA6/66	Std.	Natural
66N.064150.175A	M 6	6.4	15.0	17.5	PA6/66	Std.	Natural
66N.064150.180A	M 6	6.4	15.0	18.0	PA6/66	Std.	Natural
66N.064150.190A	M 6	6.4	15.0	19.0	PA6/66	Std.	Natural
66N.064150.200A	M 6	6.4	15.0	20.0	PA6/66	Std.	Natural
66N.064150.210A	M 6	6.4	15.0	21.0	PA6/66	Std.	Natural
66N.064150.220A	M 6	6.4	15.0	22.0	PA6/66	Std.	Natural
66N.064150.225A	M 6	6.4	15.0	22.5	PA6/66	Std.	Natural
66N.064150.230A	M 6	6.4	15.0	23.0	PA6/66	Std.	Natural

NYLON



Order No.	For thread	d ₁	d ₂	l	Material	Grade	Finish
66N.064150.240A	M 6	6.4	15.0	24.0	PA6/66	Std.	Natural
66N.064150.250A	M 6	6.4	15.0	25.0	PA6/66	Std.	Natural
66N.064150.260A	M 6	6.4	15.0	26.0	PA6/66	Std.	Natural
66N.064150.270A	M 6	6.4	15.0	27.0	PA6/66	Std.	Natural
66N.064150.280A	M 6	6.4	15.0	28.0	PA6/66	Std.	Natural
66N.064150.290A	M 6	6.4	15.0	29.0	PA6/66	Std.	Natural
66N.064150.300A	M 6	6.4	15.0	30.0	PA6/66	Std.	Natural
66N.064160.020A	M 6	6.4	16.0	2.0	PA6/66	Std.	Natural
66N.064160.030A	M 6	6.4	16.0	3.0	PA6/66	Std.	Natural
66N.064160.040A	M 6	6.4	16.0	4.0	PA6/66	Std.	Natural
66N.064160.050A	M 6	6.4	16.0	5.0	PA6/66	Std.	Natural
66N.064160.060A	M 6	6.4	16.0	6.0	PA6/66	Std.	Natural
66N.064160.070A	M 6	6.4	16.0	7.0	PA6/66	Std.	Natural
66N.064160.075A	M 6	6.4	16.0	7.5	PA6/66	Std.	Natural
66N.064160.080A	M 6	6.4	16.0	8.0	PA6/66	Std.	Natural
66N.064160.090A	M 6	6.4	16.0	9.0	PA6/66	Std.	Natural
66N.064160.100A	M 6	6.4	16.0	10.0	PA6/66	Std.	Natural
66N.064160.110A	M 6	6.4	16.0	11.0	PA6/66	Std.	Natural
66N.064160.120A	M 6	6.4	16.0	12.0	PA6/66	Std.	Natural
66N.064160.125A	M 6	6.4	16.0	12.5	PA6/66	Std.	Natural
66N.064160.130A	M 6	6.4	16.0	13.0	PA6/66	Std.	Natural
66N.064160.140A	M 6	6.4	16.0	14.0	PA6/66	Std.	Natural
66N.064160.150A	M 6	6.4	16.0	15.0	PA6/66	Std.	Natural
66N.064160.160A	M 6	6.4	16.0	16.0	PA6/66	Std.	Natural
66N.064160.170A	M 6	6.4	16.0	17.0	PA6/66	Std.	Natural
66N.064160.175A	M 6	6.4	16.0	17.5	PA6/66	Std.	Natural
66N.064160.180A	M 6	6.4	16.0	18.0	PA6/66	Std.	Natural
66N.064160.190A	M 6	6.4	16.0	19.0	PA6/66	Std.	Natural
66N.064160.200A	M 6	6.4	16.0	20.0	PA6/66	Std.	Natural
66N.064160.210A	M 6	6.4	16.0	21.0	PA6/66	Std.	Natural
66N.064160.220A	M 6	6.4	16.0	22.0	PA6/66	Std.	Natural
66N.064160.225A	M 6	6.4	16.0	22.5	PA6/66	Std.	Natural
66N.064160.230A	M 6	6.4	16.0	23.0	PA6/66	Std.	Natural
66N.064160.240A	M 6	6.4	16.0	24.0	PA6/66	Std.	Natural
66N.064160.250A	M 6	6.4	16.0	25.0	PA6/66	Std.	Natural
66N.064160.260A	M 6	6.4	16.0	26.0	PA6/66	Std.	Natural
66N.064160.270A	M 6	6.4	16.0	27.0	PA6/66	Std.	Natural
66N.064160.280A	M 6	6.4	16.0	28.0	PA6/66	Std.	Natural
66N.064160.290A	M 6	6.4	16.0	29.0	PA6/66	Std.	Natural
66N.064160.300A	M 6	6.4	16.0	30.0	PA6/66	Std.	Natural
66N.064180.020A	M 6	6.4	18.0	2.0	PA6/66	Std.	Natural
66N.064180.030A	M 6	6.4	18.0	3.0	PA6/66	Std.	Natural
66N.064180.040A	M 6	6.4	18.0	4.0	PA6/66	Std.	Natural
66N.064180.050A	M 6	6.4	18.0	5.0	PA6/66	Std.	Natural
66N.064180.060A	M 6	6.4	18.0	6.0	PA6/66	Std.	Natural
66N.064180.070A	M 6	6.4	18.0	7.0	PA6/66	Std.	Natural
66N.064180.075A	M 6	6.4	18.0	7.5	PA6/66	Std.	Natural
66N.064180.080A	M 6	6.4	18.0	8.0	PA6/66	Std.	Natural
66N.064180.090A	M 6	6.4	18.0	9.0	PA6/66	Std.	Natural
66N.064180.100A	M 6	6.4	18.0	10.0	PA6/66	Std.	Natural
66N.064180.110A	M 6	6.4	18.0	11.0	PA6/66	Std.	Natural
66N.064180.120A	M 6	6.4	18.0	12.0	PA6/66	Std.	Natural
66N.064180.125A	M 6	6.4	18.0	12.5	PA6/66	Std.	Natural
66N.064180.130A	M 6	6.4	18.0	13.0	PA6/66	Std.	Natural
66N.064180.140A	M 6	6.4	18.0	14.0	PA6/66	Std.	Natural
66N.064180.150A	M 6	6.4	18.0	15.0	PA6/66	Std.	Natural
66N.064180.160A	M 6	6.4	18.0	16.0	PA6/66	Std.	Natural
66N.064180.170A	M 6	6.4	18.0	17.0	PA6/66	Std.	Natural
66N.064180.175A	M 6	6.4	18.0	17.5	PA6/66	Std.	Natural
66N.064180.180A	M 6	6.4	18.0	18.0	PA6/66	Std.	Natural
66N.064180.190A	M 6	6.4	18.0	19.0	PA6/66	Std.	Natural
66N.064180.200A	M 6	6.4	18.0	20.0	PA6/66	Std.	Natural
66N.064180.210A	M 6	6.4	18.0	21.0	PA6/66	Std.	Natural
66N.064180.220A	M 6	6.4	18.0	22.0	PA6/66	Std.	Natural
66N.064180.225A	M 6	6.4	18.0	22.5	PA6/66	Std.	Natural
66N.064180.230A	M 6	6.4	18.0	23.0	PA6/66	Std.	Natural
66N.064180.240A	M 6	6.4	18.0	24.0	PA6/66	Std.	Natural
66N.064180.250A	M 6	6.4	18.0	25.0	PA6/66	Std.	Natural
66N.064180.260A	M 6	6.4	18.0	26.0	PA6/66	Std.	Natural



Spacers - I/D 6,3 - 7,2

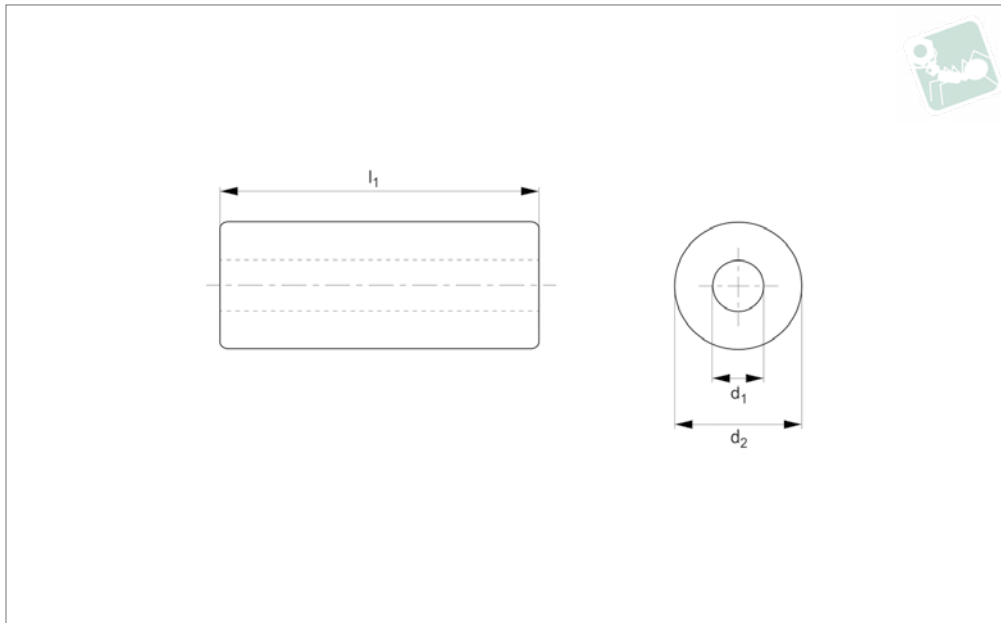
Nylon

Order No.	For thread	d ₁	d ₂	l	Material	Grade	Finish
66N.064180.270A	M 6	6.4	18.0	27.0	PA6/66	Std.	Natural
66N.064180.280A	M 6	6.4	18.0	28.0	PA6/66	Std.	Natural
66N.064180.290A	M 6	6.4	18.0	29.0	PA6/66	Std.	Natural
66N.064180.300A	M 6	6.4	18.0	30.0	PA6/66	Std.	Natural
66N.064200.020A	M 6	6.4	20.0	2.0	PA6/66	Std.	Natural
66N.064200.030A	M 6	6.4	20.0	3.0	PA6/66	Std.	Natural
66N.064200.040A	M 6	6.4	20.0	4.0	PA6/66	Std.	Natural
66N.064200.050A	M 6	6.4	20.0	5.0	PA6/66	Std.	Natural
66N.064200.060A	M 6	6.4	20.0	6.0	PA6/66	Std.	Natural
66N.064200.070A	M 6	6.4	20.0	7.0	PA6/66	Std.	Natural
66N.064200.075A	M 6	6.4	20.0	7.5	PA6/66	Std.	Natural
66N.064200.080A	M 6	6.4	20.0	8.0	PA6/66	Std.	Natural
66N.064200.090A	M 6	6.4	20.0	9.0	PA6/66	Std.	Natural
66N.064200.100A	M 6	6.4	20.0	10.0	PA6/66	Std.	Natural
66N.064200.110A	M 6	6.4	20.0	11.0	PA6/66	Std.	Natural
66N.064200.120A	M 6	6.4	20.0	12.0	PA6/66	Std.	Natural
66N.064200.125A	M 6	6.4	20.0	12.5	PA6/66	Std.	Natural
66N.064200.130A	M 6	6.4	20.0	13.0	PA6/66	Std.	Natural
66N.064200.140A	M 6	6.4	20.0	14.0	PA6/66	Std.	Natural
66N.064200.150A	M 6	6.4	20.0	15.0	PA6/66	Std.	Natural
66N.064200.160A	M 6	6.4	20.0	16.0	PA6/66	Std.	Natural
66N.064200.170A	M 6	6.4	20.0	17.0	PA6/66	Std.	Natural
66N.064200.175A	M 6	6.4	20.0	17.5	PA6/66	Std.	Natural
66N.064200.180A	M 6	6.4	20.0	18.0	PA6/66	Std.	Natural
66N.064200.190A	M 6	6.4	20.0	19.0	PA6/66	Std.	Natural
66N.064200.200A	M 6	6.4	20.0	20.0	PA6/66	Std.	Natural
66N.064200.210A	M 6	6.4	20.0	21.0	PA6/66	Std.	Natural
66N.064200.220A	M 6	6.4	20.0	22.0	PA6/66	Std.	Natural
66N.064200.225A	M 6	6.4	20.0	22.5	PA6/66	Std.	Natural
66N.064200.230A	M 6	6.4	20.0	23.0	PA6/66	Std.	Natural
66N.064200.240A	M 6	6.4	20.0	24.0	PA6/66	Std.	Natural
66N.064200.250A	M 6	6.4	20.0	25.0	PA6/66	Std.	Natural
66N.064200.260A	M 6	6.4	20.0	26.0	PA6/66	Std.	Natural
66N.064200.270A	M 6	6.4	20.0	27.0	PA6/66	Std.	Natural
66N.064200.280A	M 6	6.4	20.0	28.0	PA6/66	Std.	Natural
66N.064200.290A	M 6	6.4	20.0	29.0	PA6/66	Std.	Natural
66N.064200.300A	M 6	6.4	20.0	30.0	PA6/66	Std.	Natural
66N.064240.020A	M 6	6.4	24.0	2.0	PA6/66	Std.	Natural
66N.064240.030A	M 6	6.4	24.0	3.0	PA6/66	Std.	Natural
66N.064240.040A	M 6	6.4	24.0	4.0	PA6/66	Std.	Natural
66N.064240.050A	M 6	6.4	24.0	5.0	PA6/66	Std.	Natural
66N.064240.060A	M 6	6.4	24.0	6.0	PA6/66	Std.	Natural
66N.064240.070A	M 6	6.4	24.0	7.0	PA6/66	Std.	Natural
66N.064240.075A	M 6	6.4	24.0	7.5	PA6/66	Std.	Natural
66N.064240.080A	M 6	6.4	24.0	8.0	PA6/66	Std.	Natural
66N.064240.090A	M 6	6.4	24.0	9.0	PA6/66	Std.	Natural
66N.064240.100A	M 6	6.4	24.0	10.0	PA6/66	Std.	Natural
66N.064240.110A	M 6	6.4	24.0	11.0	PA6/66	Std.	Natural
66N.064240.120A	M 6	6.4	24.0	12.0	PA6/66	Std.	Natural
66N.064240.125A	M 6	6.4	24.0	12.5	PA6/66	Std.	Natural
66N.064240.130A	M 6	6.4	24.0	13.0	PA6/66	Std.	Natural
66N.064240.140A	M 6	6.4	24.0	14.0	PA6/66	Std.	Natural
66N.064240.150A	M 6	6.4	24.0	15.0	PA6/66	Std.	Natural
66N.064240.160A	M 6	6.4	24.0	16.0	PA6/66	Std.	Natural
66N.064240.170A	M 6	6.4	24.0	17.0	PA6/66	Std.	Natural
66N.064240.175A	M 6	6.4	24.0	17.5	PA6/66	Std.	Natural
66N.064240.180A	M 6	6.4	24.0	18.0	PA6/66	Std.	Natural
66N.064240.190A	M 6	6.4	24.0	19.0	PA6/66	Std.	Natural
66N.064240.200A	M 6	6.4	24.0	20.0	PA6/66	Std.	Natural
66N.064240.210A	M 6	6.4	24.0	21.0	PA6/66	Std.	Natural
66N.064240.220A	M 6	6.4	24.0	22.0	PA6/66	Std.	Natural
66N.064240.225A	M 6	6.4	24.0	22.5	PA6/66	Std.	Natural
66N.064240.230A	M 6	6.4	24.0	23.0	PA6/66	Std.	Natural
66N.064240.240A	M 6	6.4	24.0	24.0	PA6/66	Std.	Natural
66N.064240.250A	M 6	6.4	24.0	25.0	PA6/66	Std.	Natural
66N.064240.260A	M 6	6.4	24.0	26.0	PA6/66	Std.	Natural
66N.064240.270A	M 6	6.4	24.0	27.0	PA6/66	Std.	Natural
66N.064240.280A	M 6	6.4	24.0	28.0	PA6/66	Std.	Natural
66N.064240.290A	M 6	6.4	24.0	29.0	PA6/66	Std.	Natural

NYLON



Order No.	For thread	d ₁	d ₂	l	Material	Grade	Finish
66N.064240.300A	M 6	6.4	24.0	30.0	PA6/66	Std.	Natural
66N.064240.310A	M 6	6.4	24.0	31.0	PA6/66	Std.	Natural
66N.064240.320A	M 6	6.4	24.0	32.0	PA6/66	Std.	Natural
66N.064240.330A	M 6	6.4	24.0	33.0	PA6/66	Std.	Natural
66N.064240.340A	M 6	6.4	24.0	34.0	PA6/66	Std.	Natural
66N.064240.350A	M 6	6.4	24.0	35.0	PA6/66	Std.	Natural
66N.064240.360A	M 6	6.4	24.0	36.0	PA6/66	Std.	Natural
66N.064240.370A	M 6	6.4	24.0	37.0	PA6/66	Std.	Natural
66N.064240.380A	M 6	6.4	24.0	38.0	PA6/66	Std.	Natural
66N.064240.390A	M 6	6.4	24.0	39.0	PA6/66	Std.	Natural
66N.064240.400A	M 6	6.4	24.0	40.0	PA6/66	Std.	Natural
66N.064240.410A	M 6	6.4	24.0	41.0	PA6/66	Std.	Natural
66N.064240.420A	M 6	6.4	24.0	42.0	PA6/66	Std.	Natural
66N.064240.430A	M 6	6.4	24.0	43.0	PA6/66	Std.	Natural
66N.064240.440A	M 6	6.4	24.0	44.0	PA6/66	Std.	Natural
66N.064240.450A	M 6	6.4	24.0	45.0	PA6/66	Std.	Natural
66N.064240.460A	M 6	6.4	24.0	46.0	PA6/66	Std.	Natural
66N.064240.470A	M 6	6.4	24.0	47.0	PA6/66	Std.	Natural
66N.064240.480A	M 6	6.4	24.0	48.0	PA6/66	Std.	Natural
66N.064240.490A	M 6	6.4	24.0	49.0	PA6/66	Std.	Natural
66N.064240.500A	M 6	6.4	24.0	50.0	PA6/66	Std.	Natural
66N.073200.020A	M 6	7.3	20.0	2.0	PA6/66	Std.	Natural
66N.073200.030A	M 6	7.3	20.0	3.0	PA6/66	Std.	Natural
66N.073200.040A	M 6	7.3	20.0	4.0	PA6/66	Std.	Natural
66N.073200.050A	M 6	7.3	20.0	5.0	PA6/66	Std.	Natural
66N.073200.060A	M 6	7.3	20.0	6.0	PA6/66	Std.	Natural
66N.073200.070A	M 6	7.3	20.0	7.0	PA6/66	Std.	Natural
66N.073200.075A	M 6	7.3	20.0	7.5	PA6/66	Std.	Natural
66N.073200.080A	M 6	7.3	20.0	8.0	PA6/66	Std.	Natural
66N.073200.090A	M 6	7.3	20.0	9.0	PA6/66	Std.	Natural
66N.073200.100A	M 6	7.3	20.0	10.0	PA6/66	Std.	Natural
66N.073200.110A	M 6	7.3	20.0	11.0	PA6/66	Std.	Natural
66N.073200.120A	M 6	7.3	20.0	12.0	PA6/66	Std.	Natural
66N.073200.125A	M 6	7.3	20.0	12.5	PA6/66	Std.	Natural
66N.073200.130A	M 6	7.3	20.0	13.0	PA6/66	Std.	Natural
66N.073200.140A	M 6	7.3	20.0	14.0	PA6/66	Std.	Natural
66N.073200.150A	M 6	7.3	20.0	15.0	PA6/66	Std.	Natural
66N.073200.160A	M 6	7.3	20.0	16.0	PA6/66	Std.	Natural
66N.073200.170A	M 6	7.3	20.0	17.0	PA6/66	Std.	Natural
66N.073200.175A	M 6	7.3	20.0	17.5	PA6/66	Std.	Natural
66N.073200.180A	M 6	7.3	20.0	18.0	PA6/66	Std.	Natural
66N.073200.190A	M 6	7.3	20.0	19.0	PA6/66	Std.	Natural
66N.073200.200A	M 6	7.3	20.0	20.0	PA6/66	Std.	Natural
66N.073200.210A	M 6	7.3	20.0	21.0	PA6/66	Std.	Natural
66N.073200.220A	M 6	7.3	20.0	22.0	PA6/66	Std.	Natural
66N.073200.225A	M 6	7.3	20.0	22.5	PA6/66	Std.	Natural
66N.073200.230A	M 6	7.3	20.0	23.0	PA6/66	Std.	Natural
66N.073200.240A	M 6	7.3	20.0	24.0	PA6/66	Std.	Natural
66N.073200.250A	M 6	7.3	20.0	25.0	PA6/66	Std.	Natural
66N.073200.260A	M 6	7.3	20.0	26.0	PA6/66	Std.	Natural
66N.073200.270A	M 6	7.3	20.0	27.0	PA6/66	Std.	Natural
66N.073200.280A	M 6	7.3	20.0	28.0	PA6/66	Std.	Natural
66N.073200.290A	M 6	7.3	20.0	29.0	PA6/66	Std.	Natural
66N.073200.300A	M 6	7.3	20.0	30.0	PA6/66	Std.	Natural
66N.073200.310A	M 6	7.3	20.0	31.0	PA6/66	Std.	Natural
66N.073200.320A	M 6	7.3	20.0	32.0	PA6/66	Std.	Natural
66N.073200.330A	M 6	7.3	20.0	33.0	PA6/66	Std.	Natural
66N.073200.340A	M 6	7.3	20.0	34.0	PA6/66	Std.	Natural
66N.073200.350A	M 6	7.3	20.0	35.0	PA6/66	Std.	Natural
66N.073200.360A	M 6	7.3	20.0	36.0	PA6/66	Std.	Natural
66N.073200.370A	M 6	7.3	20.0	37.0	PA6/66	Std.	Natural
66N.073200.380A	M 6	7.3	20.0	38.0	PA6/66	Std.	Natural
66N.073200.390A	M 6	7.3	20.0	39.0	PA6/66	Std.	Natural
66N.073200.400A	M 6	7.3	20.0	40.0	PA6/66	Std.	Natural



N6000.66N.4

NYLON

Material

Nylon 66 (PA 6/66), standard. Natural.

Technical Notes

*"For thread" recommendation based on „fine/close fit“ tolerance for metric

fastener and clearance hole.

For normal and loose fit tolerances please make your own calculations.

Nylon parts offer good electrical insulation, is resistant to corrosion and most

dilute acids.

Nylon protects work surfaces and absorbs shocks and vibrations.

Order No.	For thread	d_1	d_2	l	Material	Grade	Finish
66N.082120.020A	M 7	8.2	12.0	2.0	PA6/66	Std.	Natural
66N.082120.030A	M 7	8.2	12.0	3.0	PA6/66	Std.	Natural
66N.082120.040A	M 7	8.2	12.0	4.0	PA6/66	Std.	Natural
66N.082120.050A	M 7	8.2	12.0	5.0	PA6/66	Std.	Natural
66N.082120.060A	M 7	8.2	12.0	6.0	PA6/66	Std.	Natural
66N.082120.070A	M 7	8.2	12.0	7.0	PA6/66	Std.	Natural
66N.082120.075A	M 7	8.2	12.0	7.5	PA6/66	Std.	Natural
66N.082120.080A	M 7	8.2	12.0	8.0	PA6/66	Std.	Natural
66N.082120.090A	M 7	8.2	12.0	9.0	PA6/66	Std.	Natural
66N.082120.100A	M 7	8.2	12.0	10.0	PA6/66	Std.	Natural
66N.082120.110A	M 7	8.2	12.0	11.0	PA6/66	Std.	Natural
66N.082120.120A	M 7	8.2	12.0	12.0	PA6/66	Std.	Natural
66N.082120.125A	M 7	8.2	12.0	12.5	PA6/66	Std.	Natural
66N.082120.130A	M 7	8.2	12.0	13.0	PA6/66	Std.	Natural
66N.082120.140A	M 7	8.2	12.0	14.0	PA6/66	Std.	Natural
66N.082120.150A	M 7	8.2	12.0	15.0	PA6/66	Std.	Natural
66N.082120.160A	M 7	8.2	12.0	16.0	PA6/66	Std.	Natural
66N.082120.170A	M 7	8.2	12.0	17.0	PA6/66	Std.	Natural
66N.082120.175A	M 7	8.2	12.0	17.5	PA6/66	Std.	Natural
66N.082120.180A	M 7	8.2	12.0	18.0	PA6/66	Std.	Natural
66N.082120.190A	M 7	8.2	12.0	19.0	PA6/66	Std.	Natural
66N.082120.200A	M 7	8.2	12.0	20.0	PA6/66	Std.	Natural
66N.082120.210A	M 7	8.2	12.0	21.0	PA6/66	Std.	Natural
66N.082120.220A	M 7	8.2	12.0	22.0	PA6/66	Std.	Natural
66N.082120.225A	M 7	8.2	12.0	22.5	PA6/66	Std.	Natural
66N.082120.230A	M 7	8.2	12.0	23.0	PA6/66	Std.	Natural
66N.082120.240A	M 7	8.2	12.0	24.0	PA6/66	Std.	Natural
66N.082120.250A	M 7	8.2	12.0	25.0	PA6/66	Std.	Natural
66N.082120.260A	M 7	8.2	12.0	26.0	PA6/66	Std.	Natural
66N.082120.270A	M 7	8.2	12.0	27.0	PA6/66	Std.	Natural
66N.082120.280A	M 7	8.2	12.0	28.0	PA6/66	Std.	Natural
66N.082120.290A	M 7	8.2	12.0	29.0	PA6/66	Std.	Natural
66N.082120.300A	M 7	8.2	12.0	30.0	PA6/66	Std.	Natural



Order No.	For thread	d ₁	d ₂	l	Material	Grade	Finish
66N.082120.310A	M 7	8.2	12.0	31.0	PA6/66	Std.	Natural
66N.082120.320A	M 7	8.2	12.0	32.0	PA6/66	Std.	Natural
66N.082120.330A	M 7	8.2	12.0	33.0	PA6/66	Std.	Natural
66N.082120.340A	M 7	8.2	12.0	34.0	PA6/66	Std.	Natural
66N.082120.350A	M 7	8.2	12.0	35.0	PA6/66	Std.	Natural
66N.082120.360A	M 7	8.2	12.0	36.0	PA6/66	Std.	Natural
66N.082120.370A	M 7	8.2	12.0	37.0	PA6/66	Std.	Natural
66N.082120.380A	M 7	8.2	12.0	38.0	PA6/66	Std.	Natural
66N.082120.390A	M 7	8.2	12.0	39.0	PA6/66	Std.	Natural
66N.082120.400A	M 7	8.2	12.0	40.0	PA6/66	Std.	Natural
66N.082120.410A	M 7	8.2	12.0	41.0	PA6/66	Std.	Natural
66N.082120.420A	M 7	8.2	12.0	42.0	PA6/66	Std.	Natural
66N.082120.430A	M 7	8.2	12.0	43.0	PA6/66	Std.	Natural
66N.082120.440A	M 7	8.2	12.0	44.0	PA6/66	Std.	Natural
66N.082120.450A	M 7	8.2	12.0	45.0	PA6/66	Std.	Natural
66N.082120.460A	M 7	8.2	12.0	46.0	PA6/66	Std.	Natural
66N.082120.470A	M 7	8.2	12.0	47.0	PA6/66	Std.	Natural
66N.082120.480A	M 7	8.2	12.0	48.0	PA6/66	Std.	Natural
66N.082120.490A	M 7	8.2	12.0	49.0	PA6/66	Std.	Natural
66N.082120.500A	M 7	8.2	12.0	50.0	PA6/66	Std.	Natural
66N.082140.020A	M 7	8.2	14.0	2.0	PA6/66	Std.	Natural
66N.082140.030A	M 7	8.2	14.0	3.0	PA6/66	Std.	Natural
66N.082140.040A	M 7	8.2	14.0	4.0	PA6/66	Std.	Natural
66N.082140.050A	M 7	8.2	14.0	5.0	PA6/66	Std.	Natural
66N.082140.060A	M 7	8.2	14.0	6.0	PA6/66	Std.	Natural
66N.082140.070A	M 7	8.2	14.0	7.0	PA6/66	Std.	Natural
66N.082140.075A	M 7	8.2	14.0	7.5	PA6/66	Std.	Natural
66N.082140.080A	M 7	8.2	14.0	8.0	PA6/66	Std.	Natural
66N.082140.090A	M 7	8.2	14.0	9.0	PA6/66	Std.	Natural
66N.082140.100A	M 7	8.2	14.0	10.0	PA6/66	Std.	Natural
66N.082140.110A	M 7	8.2	14.0	11.0	PA6/66	Std.	Natural
66N.082140.120A	M 7	8.2	14.0	12.0	PA6/66	Std.	Natural
66N.082140.125A	M 7	8.2	14.0	12.5	PA6/66	Std.	Natural
66N.082140.130A	M 7	8.2	14.0	13.0	PA6/66	Std.	Natural
66N.082140.140A	M 7	8.2	14.0	14.0	PA6/66	Std.	Natural
66N.082140.150A	M 7	8.2	14.0	15.0	PA6/66	Std.	Natural
66N.082140.160A	M 7	8.2	14.0	16.0	PA6/66	Std.	Natural
66N.082140.170A	M 7	8.2	14.0	17.0	PA6/66	Std.	Natural
66N.082140.175A	M 7	8.2	14.0	17.5	PA6/66	Std.	Natural
66N.082140.180A	M 7	8.2	14.0	18.0	PA6/66	Std.	Natural
66N.082140.190A	M 7	8.2	14.0	19.0	PA6/66	Std.	Natural
66N.082140.200A	M 7	8.2	14.0	20.0	PA6/66	Std.	Natural
66N.082140.210A	M 7	8.2	14.0	21.0	PA6/66	Std.	Natural
66N.082140.220A	M 7	8.2	14.0	22.0	PA6/66	Std.	Natural
66N.082140.225A	M 7	8.2	14.0	22.5	PA6/66	Std.	Natural
66N.082140.230A	M 7	8.2	14.0	23.0	PA6/66	Std.	Natural
66N.082140.240A	M 7	8.2	14.0	24.0	PA6/66	Std.	Natural
66N.082140.250A	M 7	8.2	14.0	25.0	PA6/66	Std.	Natural
66N.082140.260A	M 7	8.2	14.0	26.0	PA6/66	Std.	Natural
66N.082140.270A	M 7	8.2	14.0	27.0	PA6/66	Std.	Natural
66N.082140.280A	M 7	8.2	14.0	28.0	PA6/66	Std.	Natural
66N.082140.290A	M 7	8.2	14.0	29.0	PA6/66	Std.	Natural
66N.082140.300A	M 7	8.2	14.0	30.0	PA6/66	Std.	Natural
66N.082300.020A	M 7	8.2	30.0	2.0	PA6/66	Std.	Natural
66N.082300.030A	M 7	8.2	30.0	3.0	PA6/66	Std.	Natural
66N.082300.040A	M 7	8.2	30.0	4.0	PA6/66	Std.	Natural
66N.082300.050A	M 7	8.2	30.0	5.0	PA6/66	Std.	Natural
66N.082300.060A	M 7	8.2	30.0	6.0	PA6/66	Std.	Natural
66N.082300.070A	M 7	8.2	30.0	7.0	PA6/66	Std.	Natural
66N.082300.075A	M 7	8.2	30.0	7.5	PA6/66	Std.	Natural
66N.082300.080A	M 7	8.2	30.0	8.0	PA6/66	Std.	Natural
66N.082300.090A	M 7	8.2	30.0	9.0	PA6/66	Std.	Natural
66N.082300.100A	M 7	8.2	30.0	10.0	PA6/66	Std.	Natural
66N.082300.110A	M 7	8.2	30.0	11.0	PA6/66	Std.	Natural
66N.082300.120A	M 7	8.2	30.0	12.0	PA6/66	Std.	Natural
66N.082300.125A	M 7	8.2	30.0	12.5	PA6/66	Std.	Natural
66N.082300.130A	M 7	8.2	30.0	13.0	PA6/66	Std.	Natural
66N.082300.140A	M 7	8.2	30.0	14.0	PA6/66	Std.	Natural
66N.082300.150A	M 7	8.2	30.0	15.0	PA6/66	Std.	Natural



Spacers - I/D 8,2 - 10,2

Nylon

Order No.	For thread	d ₁	d ₂	l	Material	Grade	Finish
66N.082300.160A	M 7	8.2	30.0	16.0	PA6/66	Std.	Natural
66N.082300.170A	M 7	8.2	30.0	17.0	PA6/66	Std.	Natural
66N.082300.175A	M 7	8.2	30.0	17.5	PA6/66	Std.	Natural
66N.082300.180A	M 7	8.2	30.0	18.0	PA6/66	Std.	Natural
66N.082300.190A	M 7	8.2	30.0	19.0	PA6/66	Std.	Natural
66N.082300.200A	M 7	8.2	30.0	20.0	PA6/66	Std.	Natural
66N.082300.210A	M 7	8.2	30.0	21.0	PA6/66	Std.	Natural
66N.082300.220A	M 7	8.2	30.0	22.0	PA6/66	Std.	Natural
66N.082300.225A	M 7	8.2	30.0	22.5	PA6/66	Std.	Natural
66N.082300.230A	M 7	8.2	30.0	23.0	PA6/66	Std.	Natural
66N.082300.240A	M 7	8.2	30.0	24.0	PA6/66	Std.	Natural
66N.082300.250A	M 7	8.2	30.0	25.0	PA6/66	Std.	Natural
66N.082300.260A	M 7	8.2	30.0	26.0	PA6/66	Std.	Natural
66N.082300.270A	M 7	8.2	30.0	27.0	PA6/66	Std.	Natural
66N.082300.280A	M 7	8.2	30.0	28.0	PA6/66	Std.	Natural
66N.082300.290A	M 7	8.2	30.0	29.0	PA6/66	Std.	Natural
66N.082300.300A	M 7	8.2	30.0	30.0	PA6/66	Std.	Natural
66N.084150.020A	M 8	8.4	15.0	2.0	PA6/66	Std.	Natural
66N.084150.030A	M 8	8.4	15.0	3.0	PA6/66	Std.	Natural
66N.084150.040A	M 8	8.4	15.0	4.0	PA6/66	Std.	Natural
66N.084150.050A	M 8	8.4	15.0	5.0	PA6/66	Std.	Natural
66N.084150.060A	M 8	8.4	15.0	6.0	PA6/66	Std.	Natural
66N.084150.070A	M 8	8.4	15.0	7.0	PA6/66	Std.	Natural
66N.084150.075A	M 8	8.4	15.0	7.5	PA6/66	Std.	Natural
66N.084150.080A	M 8	8.4	15.0	8.0	PA6/66	Std.	Natural
66N.084150.090A	M 8	8.4	15.0	9.0	PA6/66	Std.	Natural
66N.084150.100A	M 8	8.4	15.0	10.0	PA6/66	Std.	Natural
66N.084150.110A	M 8	8.4	15.0	11.0	PA6/66	Std.	Natural
66N.084150.120A	M 8	8.4	15.0	12.0	PA6/66	Std.	Natural
66N.084150.125A	M 8	8.4	15.0	12.5	PA6/66	Std.	Natural
66N.084150.130A	M 8	8.4	15.0	13.0	PA6/66	Std.	Natural
66N.084150.140A	M 8	8.4	15.0	14.0	PA6/66	Std.	Natural
66N.084150.150A	M 8	8.4	15.0	15.0	PA6/66	Std.	Natural
66N.084150.160A	M 8	8.4	15.0	16.0	PA6/66	Std.	Natural
66N.084150.170A	M 8	8.4	15.0	17.0	PA6/66	Std.	Natural
66N.084150.175A	M 8	8.4	15.0	17.5	PA6/66	Std.	Natural
66N.084150.180A	M 8	8.4	15.0	18.0	PA6/66	Std.	Natural
66N.084150.190A	M 8	8.4	15.0	19.0	PA6/66	Std.	Natural
66N.084150.200A	M 8	8.4	15.0	20.0	PA6/66	Std.	Natural
66N.084150.210A	M 8	8.4	15.0	21.0	PA6/66	Std.	Natural
66N.084150.220A	M 8	8.4	15.0	22.0	PA6/66	Std.	Natural
66N.084150.225A	M 8	8.4	15.0	22.5	PA6/66	Std.	Natural
66N.084150.230A	M 8	8.4	15.0	23.0	PA6/66	Std.	Natural
66N.084150.240A	M 8	8.4	15.0	24.0	PA6/66	Std.	Natural
66N.084150.250A	M 8	8.4	15.0	25.0	PA6/66	Std.	Natural
66N.084150.260A	M 8	8.4	15.0	26.0	PA6/66	Std.	Natural
66N.084150.270A	M 8	8.4	15.0	27.0	PA6/66	Std.	Natural
66N.084150.280A	M 8	8.4	15.0	28.0	PA6/66	Std.	Natural
66N.084150.290A	M 8	8.4	15.0	29.0	PA6/66	Std.	Natural
66N.084150.300A	M 8	8.4	15.0	30.0	PA6/66	Std.	Natural
66N.084160.020A	M 8	8.4	16.0	2.0	PA6/66	Std.	Natural
66N.084160.030A	M 8	8.4	16.0	3.0	PA6/66	Std.	Natural
66N.084160.040A	M 8	8.4	16.0	4.0	PA6/66	Std.	Natural
66N.084160.050A	M 8	8.4	16.0	5.0	PA6/66	Std.	Natural
66N.084160.060A	M 8	8.4	16.0	6.0	PA6/66	Std.	Natural
66N.084160.070A	M 8	8.4	16.0	7.0	PA6/66	Std.	Natural
66N.084160.075A	M 8	8.4	16.0	7.5	PA6/66	Std.	Natural
66N.084160.080A	M 8	8.4	16.0	8.0	PA6/66	Std.	Natural
66N.084160.090A	M 8	8.4	16.0	9.0	PA6/66	Std.	Natural
66N.084160.100A	M 8	8.4	16.0	10.0	PA6/66	Std.	Natural
66N.084160.110A	M 8	8.4	16.0	11.0	PA6/66	Std.	Natural
66N.084160.120A	M 8	8.4	16.0	12.0	PA6/66	Std.	Natural
66N.084160.125A	M 8	8.4	16.0	12.5	PA6/66	Std.	Natural
66N.084160.130A	M 8	8.4	16.0	13.0	PA6/66	Std.	Natural
66N.084160.140A	M 8	8.4	16.0	14.0	PA6/66	Std.	Natural
66N.084160.150A	M 8	8.4	16.0	15.0	PA6/66	Std.	Natural
66N.084160.160A	M 8	8.4	16.0	16.0	PA6/66	Std.	Natural
66N.084160.170A	M 8	8.4	16.0	17.0	PA6/66	Std.	Natural
66N.084160.175A	M 8	8.4	16.0	17.5	PA6/66	Std.	Natural

NYLON



Order No.	For thread	d ₁	d ₂	l	Material	Grade	Finish
66N.084160.180A	M 8	8.4	16.0	18.0	PA6/66	Std.	Natural
66N.084160.190A	M 8	8.4	16.0	19.0	PA6/66	Std.	Natural
66N.084160.200A	M 8	8.4	16.0	20.0	PA6/66	Std.	Natural
66N.084160.210A	M 8	8.4	16.0	21.0	PA6/66	Std.	Natural
66N.084160.220A	M 8	8.4	16.0	22.0	PA6/66	Std.	Natural
66N.084160.225A	M 8	8.4	16.0	22.5	PA6/66	Std.	Natural
66N.084160.230A	M 8	8.4	16.0	23.0	PA6/66	Std.	Natural
66N.084160.240A	M 8	8.4	16.0	24.0	PA6/66	Std.	Natural
66N.084160.250A	M 8	8.4	16.0	25.0	PA6/66	Std.	Natural
66N.084160.260A	M 8	8.4	16.0	26.0	PA6/66	Std.	Natural
66N.084160.270A	M 8	8.4	16.0	27.0	PA6/66	Std.	Natural
66N.084160.280A	M 8	8.4	16.0	28.0	PA6/66	Std.	Natural
66N.084160.290A	M 8	8.4	16.0	29.0	PA6/66	Std.	Natural
66N.084160.300A	M 8	8.4	16.0	30.0	PA6/66	Std.	Natural
66N.084170.020A	M 8	8.4	17.0	2.0	PA6/66	Std.	Natural
66N.084170.030A	M 8	8.4	17.0	3.0	PA6/66	Std.	Natural
66N.084170.040A	M 8	8.4	17.0	4.0	PA6/66	Std.	Natural
66N.084170.050A	M 8	8.4	17.0	5.0	PA6/66	Std.	Natural
66N.084170.060A	M 8	8.4	17.0	6.0	PA6/66	Std.	Natural
66N.084170.070A	M 8	8.4	17.0	7.0	PA6/66	Std.	Natural
66N.084170.075A	M 8	8.4	17.0	7.5	PA6/66	Std.	Natural
66N.084170.080A	M 8	8.4	17.0	8.0	PA6/66	Std.	Natural
66N.084170.090A	M 8	8.4	17.0	9.0	PA6/66	Std.	Natural
66N.084170.100A	M 8	8.4	17.0	10.0	PA6/66	Std.	Natural
66N.084170.110A	M 8	8.4	17.0	11.0	PA6/66	Std.	Natural
66N.084170.120A	M 8	8.4	17.0	12.0	PA6/66	Std.	Natural
66N.084170.125A	M 8	8.4	17.0	12.5	PA6/66	Std.	Natural
66N.084170.130A	M 8	8.4	17.0	13.0	PA6/66	Std.	Natural
66N.084170.140A	M 8	8.4	17.0	14.0	PA6/66	Std.	Natural
66N.084170.150A	M 8	8.4	17.0	15.0	PA6/66	Std.	Natural
66N.084170.160A	M 8	8.4	17.0	16.0	PA6/66	Std.	Natural
66N.084170.170A	M 8	8.4	17.0	17.0	PA6/66	Std.	Natural
66N.084170.175A	M 8	8.4	17.0	17.5	PA6/66	Std.	Natural
66N.084170.180A	M 8	8.4	17.0	18.0	PA6/66	Std.	Natural
66N.084170.190A	M 8	8.4	17.0	19.0	PA6/66	Std.	Natural
66N.084170.200A	M 8	8.4	17.0	20.0	PA6/66	Std.	Natural
66N.084170.210A	M 8	8.4	17.0	21.0	PA6/66	Std.	Natural
66N.084170.220A	M 8	8.4	17.0	22.0	PA6/66	Std.	Natural
66N.084170.225A	M 8	8.4	17.0	22.5	PA6/66	Std.	Natural
66N.084170.230A	M 8	8.4	17.0	23.0	PA6/66	Std.	Natural
66N.084170.240A	M 8	8.4	17.0	24.0	PA6/66	Std.	Natural
66N.084170.250A	M 8	8.4	17.0	25.0	PA6/66	Std.	Natural
66N.084170.260A	M 8	8.4	17.0	26.0	PA6/66	Std.	Natural
66N.084170.270A	M 8	8.4	17.0	27.0	PA6/66	Std.	Natural
66N.084170.280A	M 8	8.4	17.0	28.0	PA6/66	Std.	Natural
66N.084170.290A	M 8	8.4	17.0	29.0	PA6/66	Std.	Natural
66N.084170.300A	M 8	8.4	17.0	30.0	PA6/66	Std.	Natural
66N.084200.020A	M 8	8.4	20.0	2.0	PA6/66	Std.	Natural
66N.084200.030A	M 8	8.4	20.0	3.0	PA6/66	Std.	Natural
66N.084200.040A	M 8	8.4	20.0	4.0	PA6/66	Std.	Natural
66N.084200.050A	M 8	8.4	20.0	5.0	PA6/66	Std.	Natural
66N.084200.060A	M 8	8.4	20.0	6.0	PA6/66	Std.	Natural
66N.084200.070A	M 8	8.4	20.0	7.0	PA6/66	Std.	Natural
66N.084200.075A	M 8	8.4	20.0	7.5	PA6/66	Std.	Natural
66N.084200.080A	M 8	8.4	20.0	8.0	PA6/66	Std.	Natural
66N.084200.090A	M 8	8.4	20.0	9.0	PA6/66	Std.	Natural
66N.084200.100A	M 8	8.4	20.0	10.0	PA6/66	Std.	Natural
66N.084200.110A	M 8	8.4	20.0	11.0	PA6/66	Std.	Natural
66N.084200.120A	M 8	8.4	20.0	12.0	PA6/66	Std.	Natural
66N.084200.125A	M 8	8.4	20.0	12.5	PA6/66	Std.	Natural
66N.084200.130A	M 8	8.4	20.0	13.0	PA6/66	Std.	Natural
66N.084200.140A	M 8	8.4	20.0	14.0	PA6/66	Std.	Natural
66N.084200.150A	M 8	8.4	20.0	15.0	PA6/66	Std.	Natural
66N.084200.160A	M 8	8.4	20.0	16.0	PA6/66	Std.	Natural
66N.084200.170A	M 8	8.4	20.0	17.0	PA6/66	Std.	Natural
66N.084200.175A	M 8	8.4	20.0	17.5	PA6/66	Std.	Natural
66N.084200.180A	M 8	8.4	20.0	18.0	PA6/66	Std.	Natural
66N.084200.190A	M 8	8.4	20.0	19.0	PA6/66	Std.	Natural
66N.084200.200A	M 8	8.4	20.0	20.0	PA6/66	Std.	Natural



Spacers - I/D 8,2 - 10,2

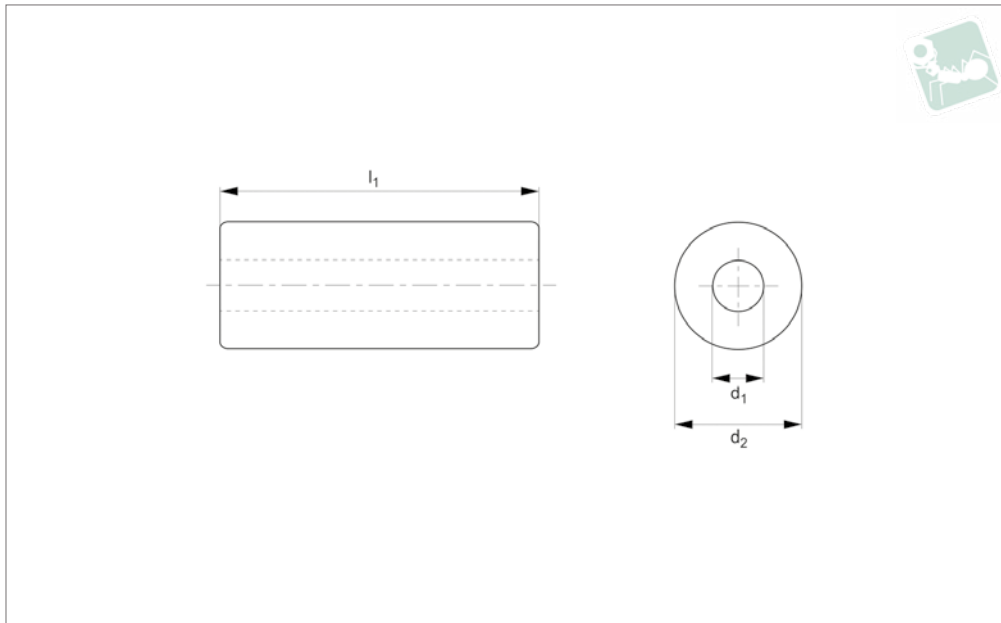
Nylon

Order No.	For thread	d ₁	d ₂	l	Material	Grade	Finish
66N.084200.210A	M 8	8.4	20.0	21.0	PA6/66	Std.	Natural
66N.084200.220A	M 8	8.4	20.0	22.0	PA6/66	Std.	Natural
66N.084200.225A	M 8	8.4	20.0	22.5	PA6/66	Std.	Natural
66N.084200.230A	M 8	8.4	20.0	23.0	PA6/66	Std.	Natural
66N.084200.240A	M 8	8.4	20.0	24.0	PA6/66	Std.	Natural
66N.084200.250A	M 8	8.4	20.0	25.0	PA6/66	Std.	Natural
66N.084200.260A	M 8	8.4	20.0	26.0	PA6/66	Std.	Natural
66N.084200.270A	M 8	8.4	20.0	27.0	PA6/66	Std.	Natural
66N.084200.280A	M 8	8.4	20.0	28.0	PA6/66	Std.	Natural
66N.084200.290A	M 8	8.4	20.0	29.0	PA6/66	Std.	Natural
66N.084200.300A	M 8	8.4	20.0	30.0	PA6/66	Std.	Natural
66N.084250.020A	M 8	8.4	25.0	2.0	PA6/66	Std.	Natural
66N.084250.030A	M 8	8.4	25.0	3.0	PA6/66	Std.	Natural
66N.084250.040A	M 8	8.4	25.0	4.0	PA6/66	Std.	Natural
66N.084250.050A	M 8	8.4	25.0	5.0	PA6/66	Std.	Natural
66N.084250.060A	M 8	8.4	25.0	6.0	PA6/66	Std.	Natural
66N.084250.070A	M 8	8.4	25.0	7.0	PA6/66	Std.	Natural
66N.084250.075A	M 8	8.4	25.0	7.5	PA6/66	Std.	Natural
66N.084250.080A	M 8	8.4	25.0	8.0	PA6/66	Std.	Natural
66N.084250.090A	M 8	8.4	25.0	9.0	PA6/66	Std.	Natural
66N.084250.100A	M 8	8.4	25.0	10.0	PA6/66	Std.	Natural
66N.084250.110A	M 8	8.4	25.0	11.0	PA6/66	Std.	Natural
66N.084250.120A	M 8	8.4	25.0	12.0	PA6/66	Std.	Natural
66N.084250.125A	M 8	8.4	25.0	12.5	PA6/66	Std.	Natural
66N.084250.130A	M 8	8.4	25.0	13.0	PA6/66	Std.	Natural
66N.084250.140A	M 8	8.4	25.0	14.0	PA6/66	Std.	Natural
66N.084250.150A	M 8	8.4	25.0	15.0	PA6/66	Std.	Natural
66N.084250.160A	M 8	8.4	25.0	16.0	PA6/66	Std.	Natural
66N.084250.170A	M 8	8.4	25.0	17.0	PA6/66	Std.	Natural
66N.084250.175A	M 8	8.4	25.0	17.5	PA6/66	Std.	Natural
66N.084250.180A	M 8	8.4	25.0	18.0	PA6/66	Std.	Natural
66N.084250.190A	M 8	8.4	25.0	19.0	PA6/66	Std.	Natural
66N.084250.200A	M 8	8.4	25.0	20.0	PA6/66	Std.	Natural
66N.084250.210A	M 8	8.4	25.0	21.0	PA6/66	Std.	Natural
66N.084250.220A	M 8	8.4	25.0	22.0	PA6/66	Std.	Natural
66N.084250.225A	M 8	8.4	25.0	22.5	PA6/66	Std.	Natural
66N.084250.230A	M 8	8.4	25.0	23.0	PA6/66	Std.	Natural
66N.084250.240A	M 8	8.4	25.0	24.0	PA6/66	Std.	Natural
66N.084250.250A	M 8	8.4	25.0	25.0	PA6/66	Std.	Natural
66N.084250.260A	M 8	8.4	25.0	26.0	PA6/66	Std.	Natural
66N.084250.270A	M 8	8.4	25.0	27.0	PA6/66	Std.	Natural
66N.084250.280A	M 8	8.4	25.0	28.0	PA6/66	Std.	Natural
66N.084250.290A	M 8	8.4	25.0	29.0	PA6/66	Std.	Natural
66N.084250.300A	M 8	8.4	25.0	30.0	PA6/66	Std.	Natural
66N.102200.020A	M 8	10.2	20.0	2.0	PA6/66	Std.	Natural
66N.102200.030A	M 8	10.2	20.0	3.0	PA6/66	Std.	Natural
66N.102200.040A	M 8	10.2	20.0	4.0	PA6/66	Std.	Natural
66N.102200.050A	M 8	10.2	20.0	5.0	PA6/66	Std.	Natural
66N.102200.060A	M 8	10.2	20.0	6.0	PA6/66	Std.	Natural
66N.102200.070A	M 8	10.2	20.0	7.0	PA6/66	Std.	Natural
66N.102200.075A	M 8	10.2	20.0	7.5	PA6/66	Std.	Natural
66N.102200.080A	M 8	10.2	20.0	8.0	PA6/66	Std.	Natural
66N.102200.090A	M 8	10.2	20.0	9.0	PA6/66	Std.	Natural
66N.102200.100A	M 8	10.2	20.0	10.0	PA6/66	Std.	Natural
66N.102200.110A	M 8	10.2	20.0	11.0	PA6/66	Std.	Natural
66N.102200.120A	M 8	10.2	20.0	12.0	PA6/66	Std.	Natural
66N.102200.125A	M 8	10.2	20.0	12.5	PA6/66	Std.	Natural
66N.102200.130A	M 8	10.2	20.0	13.0	PA6/66	Std.	Natural
66N.102200.140A	M 8	10.2	20.0	14.0	PA6/66	Std.	Natural
66N.102200.150A	M 8	10.2	20.0	15.0	PA6/66	Std.	Natural
66N.102200.160A	M 8	10.2	20.0	16.0	PA6/66	Std.	Natural
66N.102200.170A	M 8	10.2	20.0	17.0	PA6/66	Std.	Natural
66N.102200.175A	M 8	10.2	20.0	17.5	PA6/66	Std.	Natural
66N.102200.180A	M 8	10.2	20.0	18.0	PA6/66	Std.	Natural
66N.102200.190A	M 8	10.2	20.0	19.0	PA6/66	Std.	Natural
66N.102200.200A	M 8	10.2	20.0	20.0	PA6/66	Std.	Natural
66N.102200.210A	M 8	10.2	20.0	21.0	PA6/66	Std.	Natural
66N.102200.220A	M 8	10.2	20.0	22.0	PA6/66	Std.	Natural
66N.102200.225A	M 8	10.2	20.0	22.5	PA6/66	Std.	Natural

NYLON



Order No.	For thread	d ₁	d ₂	l	Material	Grade	Finish
66N.102200.230A	M 8	10.2	20.0	23.0	PA6/66	Std.	Natural
66N.102200.240A	M 8	10.2	20.0	24.0	PA6/66	Std.	Natural
66N.102200.250A	M 8	10.2	20.0	25.0	PA6/66	Std.	Natural
66N.102200.260A	M 8	10.2	20.0	26.0	PA6/66	Std.	Natural
66N.102200.270A	M 8	10.2	20.0	27.0	PA6/66	Std.	Natural
66N.102200.280A	M 8	10.2	20.0	28.0	PA6/66	Std.	Natural
66N.102200.290A	M 8	10.2	20.0	29.0	PA6/66	Std.	Natural
66N.102200.300A	M 8	10.2	20.0	30.0	PA6/66	Std.	Natural
66N.102250.020A	M 8	10.2	25.0	2.0	PA6/66	Std.	Natural
66N.102250.030A	M 8	10.2	25.0	3.0	PA6/66	Std.	Natural
66N.102250.040A	M 8	10.2	25.0	4.0	PA6/66	Std.	Natural
66N.102250.050A	M 8	10.2	25.0	5.0	PA6/66	Std.	Natural
66N.102250.060A	M 8	10.2	25.0	6.0	PA6/66	Std.	Natural
66N.102250.070A	M 8	10.2	25.0	7.0	PA6/66	Std.	Natural
66N.102250.075A	M 8	10.2	25.0	7.5	PA6/66	Std.	Natural
66N.102250.080A	M 8	10.2	25.0	8.0	PA6/66	Std.	Natural
66N.102250.090A	M 8	10.2	25.0	9.0	PA6/66	Std.	Natural
66N.102250.100A	M 8	10.2	25.0	10.0	PA6/66	Std.	Natural
66N.102250.110A	M 8	10.2	25.0	11.0	PA6/66	Std.	Natural
66N.102250.120A	M 8	10.2	25.0	12.0	PA6/66	Std.	Natural
66N.102250.125A	M 8	10.2	25.0	12.5	PA6/66	Std.	Natural
66N.102250.130A	M 8	10.2	25.0	13.0	PA6/66	Std.	Natural
66N.102250.140A	M 8	10.2	25.0	14.0	PA6/66	Std.	Natural
66N.102250.150A	M 8	10.2	25.0	15.0	PA6/66	Std.	Natural
66N.102250.160A	M 8	10.2	25.0	16.0	PA6/66	Std.	Natural
66N.102250.170A	M 8	10.2	25.0	17.0	PA6/66	Std.	Natural
66N.102250.175A	M 8	10.2	25.0	17.5	PA6/66	Std.	Natural
66N.102250.180A	M 8	10.2	25.0	18.0	PA6/66	Std.	Natural
66N.102250.190A	M 8	10.2	25.0	19.0	PA6/66	Std.	Natural
66N.102250.200A	M 8	10.2	25.0	20.0	PA6/66	Std.	Natural
66N.102250.210A	M 8	10.2	25.0	21.0	PA6/66	Std.	Natural
66N.102250.220A	M 8	10.2	25.0	22.0	PA6/66	Std.	Natural
66N.102250.225A	M 8	10.2	25.0	22.5	PA6/66	Std.	Natural
66N.102250.230A	M 8	10.2	25.0	23.0	PA6/66	Std.	Natural
66N.102250.240A	M 8	10.2	25.0	24.0	PA6/66	Std.	Natural
66N.102250.250A	M 8	10.2	25.0	25.0	PA6/66	Std.	Natural
66N.102250.260A	M 8	10.2	25.0	26.0	PA6/66	Std.	Natural
66N.102250.270A	M 8	10.2	25.0	27.0	PA6/66	Std.	Natural
66N.102250.280A	M 8	10.2	25.0	28.0	PA6/66	Std.	Natural
66N.102250.290A	M 8	10.2	25.0	29.0	PA6/66	Std.	Natural
66N.102250.300A	M 8	10.2	25.0	30.0	PA6/66	Std.	Natural



N6000.66N.5

NYLON

Material

Nylon 66 (PA 6/66), standard. Natural.

Technical Notes

*"For thread" recommendation based on „fine/close fit“ tolerance for metric

fastener and clearance hole.

For normal and loose fit tolerances please make your own calculations.

Nylon parts offer good electrical insulation, is resistant to corrosion and most

dilute acids.

Nylon protects work surfaces and absorbs shocks and vibrations.

Order No.	For thread	d_1	d_2	l	Material	Grade	Finish
66N.105150.020A	M10	10.5	15.0	2.0	PA6/66	Std.	Natural
66N.105150.030A	M10	10.5	15.0	3.0	PA6/66	Std.	Natural
66N.105150.040A	M10	10.5	15.0	4.0	PA6/66	Std.	Natural
66N.105150.050A	M10	10.5	15.0	5.0	PA6/66	Std.	Natural
66N.105150.060A	M10	10.5	15.0	6.0	PA6/66	Std.	Natural
66N.105150.070A	M10	10.5	15.0	7.0	PA6/66	Std.	Natural
66N.105150.075A	M10	10.5	15.0	7.5	PA6/66	Std.	Natural
66N.105150.080A	M10	10.5	15.0	8.0	PA6/66	Std.	Natural
66N.105150.090A	M10	10.5	15.0	9.0	PA6/66	Std.	Natural
66N.105150.100A	M10	10.5	15.0	10.0	PA6/66	Std.	Natural
66N.105150.110A	M10	10.5	15.0	11.0	PA6/66	Std.	Natural
66N.105150.120A	M10	10.5	15.0	12.0	PA6/66	Std.	Natural
66N.105150.125A	M10	10.5	15.0	12.5	PA6/66	Std.	Natural
66N.105150.130A	M10	10.5	15.0	13.0	PA6/66	Std.	Natural
66N.105150.140A	M10	10.5	15.0	14.0	PA6/66	Std.	Natural
66N.105150.150A	M10	10.5	15.0	15.0	PA6/66	Std.	Natural
66N.105150.160A	M10	10.5	15.0	16.0	PA6/66	Std.	Natural
66N.105150.170A	M10	10.5	15.0	17.0	PA6/66	Std.	Natural
66N.105150.175A	M10	10.5	15.0	17.5	PA6/66	Std.	Natural
66N.105150.180A	M10	10.5	15.0	18.0	PA6/66	Std.	Natural
66N.105150.190A	M10	10.5	15.0	19.0	PA6/66	Std.	Natural
66N.105150.200A	M10	10.5	15.0	20.0	PA6/66	Std.	Natural
66N.105150.210A	M10	10.5	15.0	21.0	PA6/66	Std.	Natural
66N.105150.220A	M10	10.5	15.0	22.0	PA6/66	Std.	Natural
66N.105150.225A	M10	10.5	15.0	22.5	PA6/66	Std.	Natural
66N.105150.230A	M10	10.5	15.0	23.0	PA6/66	Std.	Natural
66N.105150.240A	M10	10.5	15.0	24.0	PA6/66	Std.	Natural
66N.105150.250A	M10	10.5	15.0	25.0	PA6/66	Std.	Natural
66N.105150.260A	M10	10.5	15.0	26.0	PA6/66	Std.	Natural
66N.105150.270A	M10	10.5	15.0	27.0	PA6/66	Std.	Natural
66N.105150.280A	M10	10.5	15.0	28.0	PA6/66	Std.	Natural
66N.105150.290A	M10	10.5	15.0	29.0	PA6/66	Std.	Natural
66N.105150.300A	M10	10.5	15.0	30.0	PA6/66	Std.	Natural



Order No.	For thread	d ₁	d ₂	l	Material	Grade	Finish
66N.105210.020A	M10	10.5	21.0	2.0	PA6/66	Std.	Natural
66N.105210.030A	M10	10.5	21.0	3.0	PA6/66	Std.	Natural
66N.105210.040A	M10	10.5	21.0	4.0	PA6/66	Std.	Natural
66N.105210.050A	M10	10.5	21.0	5.0	PA6/66	Std.	Natural
66N.105210.060A	M10	10.5	21.0	6.0	PA6/66	Std.	Natural
66N.105210.070A	M10	10.5	21.0	7.0	PA6/66	Std.	Natural
66N.105210.075A	M10	10.5	21.0	7.5	PA6/66	Std.	Natural
66N.105210.080A	M10	10.5	21.0	8.0	PA6/66	Std.	Natural
66N.105210.090A	M10	10.5	21.0	9.0	PA6/66	Std.	Natural
66N.105210.100A	M10	10.5	21.0	10.0	PA6/66	Std.	Natural
66N.105210.110A	M10	10.5	21.0	11.0	PA6/66	Std.	Natural
66N.105210.120A	M10	10.5	21.0	12.0	PA6/66	Std.	Natural
66N.105210.125A	M10	10.5	21.0	12.5	PA6/66	Std.	Natural
66N.105210.130A	M10	10.5	21.0	13.0	PA6/66	Std.	Natural
66N.105210.140A	M10	10.5	21.0	14.0	PA6/66	Std.	Natural
66N.105210.150A	M10	10.5	21.0	15.0	PA6/66	Std.	Natural
66N.105210.160A	M10	10.5	21.0	16.0	PA6/66	Std.	Natural
66N.105210.170A	M10	10.5	21.0	17.0	PA6/66	Std.	Natural
66N.105210.175A	M10	10.5	21.0	17.5	PA6/66	Std.	Natural
66N.105210.180A	M10	10.5	21.0	18.0	PA6/66	Std.	Natural
66N.105210.190A	M10	10.5	21.0	19.0	PA6/66	Std.	Natural
66N.105210.200A	M10	10.5	21.0	20.0	PA6/66	Std.	Natural
66N.105210.210A	M10	10.5	21.0	21.0	PA6/66	Std.	Natural
66N.105210.220A	M10	10.5	21.0	22.0	PA6/66	Std.	Natural
66N.105210.225A	M10	10.5	21.0	22.5	PA6/66	Std.	Natural
66N.105210.230A	M10	10.5	21.0	23.0	PA6/66	Std.	Natural
66N.105210.240A	M10	10.5	21.0	24.0	PA6/66	Std.	Natural
66N.105210.250A	M10	10.5	21.0	25.0	PA6/66	Std.	Natural
66N.105210.260A	M10	10.5	21.0	26.0	PA6/66	Std.	Natural
66N.105210.270A	M10	10.5	21.0	27.0	PA6/66	Std.	Natural
66N.105210.280A	M10	10.5	21.0	28.0	PA6/66	Std.	Natural
66N.105210.290A	M10	10.5	21.0	29.0	PA6/66	Std.	Natural
66N.105210.300A	M10	10.5	21.0	30.0	PA6/66	Std.	Natural
66N.105300.020A	M10	10.5	30.0	2.0	PA6/66	Std.	Natural
66N.105300.030A	M10	10.5	30.0	3.0	PA6/66	Std.	Natural
66N.105300.040A	M10	10.5	30.0	4.0	PA6/66	Std.	Natural
66N.105300.050A	M10	10.5	30.0	5.0	PA6/66	Std.	Natural
66N.105300.060A	M10	10.5	30.0	6.0	PA6/66	Std.	Natural
66N.105300.070A	M10	10.5	30.0	7.0	PA6/66	Std.	Natural
66N.105300.075A	M10	10.5	30.0	7.5	PA6/66	Std.	Natural
66N.105300.080A	M10	10.5	30.0	8.0	PA6/66	Std.	Natural
66N.105300.090A	M10	10.5	30.0	9.0	PA6/66	Std.	Natural
66N.105300.100A	M10	10.5	30.0	10.0	PA6/66	Std.	Natural
66N.105300.110A	M10	10.5	30.0	11.0	PA6/66	Std.	Natural
66N.105300.120A	M10	10.5	30.0	12.0	PA6/66	Std.	Natural
66N.105300.125A	M10	10.5	30.0	12.5	PA6/66	Std.	Natural
66N.105300.130A	M10	10.5	30.0	13.0	PA6/66	Std.	Natural
66N.105300.140A	M10	10.5	30.0	14.0	PA6/66	Std.	Natural
66N.105300.150A	M10	10.5	30.0	15.0	PA6/66	Std.	Natural
66N.105300.160A	M10	10.5	30.0	16.0	PA6/66	Std.	Natural
66N.105300.170A	M10	10.5	30.0	17.0	PA6/66	Std.	Natural
66N.105300.175A	M10	10.5	30.0	17.5	PA6/66	Std.	Natural
66N.105300.180A	M10	10.5	30.0	18.0	PA6/66	Std.	Natural
66N.105300.190A	M10	10.5	30.0	19.0	PA6/66	Std.	Natural
66N.105300.200A	M10	10.5	30.0	20.0	PA6/66	Std.	Natural
66N.105300.210A	M10	10.5	30.0	21.0	PA6/66	Std.	Natural
66N.105300.220A	M10	10.5	30.0	22.0	PA6/66	Std.	Natural
66N.105300.225A	M10	10.5	30.0	22.5	PA6/66	Std.	Natural
66N.105300.230A	M10	10.5	30.0	23.0	PA6/66	Std.	Natural
66N.105300.240A	M10	10.5	30.0	24.0	PA6/66	Std.	Natural
66N.105300.250A	M10	10.5	30.0	25.0	PA6/66	Std.	Natural
66N.105300.260A	M10	10.5	30.0	26.0	PA6/66	Std.	Natural
66N.105300.270A	M10	10.5	30.0	27.0	PA6/66	Std.	Natural
66N.105300.280A	M10	10.5	30.0	28.0	PA6/66	Std.	Natural
66N.105300.290A	M10	10.5	30.0	29.0	PA6/66	Std.	Natural
66N.105300.300A	M10	10.5	30.0	30.0	PA6/66	Std.	Natural
66N.122180.020A	M10	12.2	18.0	2.0	PA6/66	Std.	Natural
66N.122180.030A	M10	12.2	18.0	3.0	PA6/66	Std.	Natural
66N.122180.040A	M10	12.2	18.0	4.0	PA6/66	Std.	Natural



Spacers - I/D 10,5 - 25,5

Nylon

Order No.	For thread	d ₁	d ₂	l	Material	Grade	Finish
66N.122180.050A	M10	12.2	18.0	5.0	PA6/66	Std.	Natural
66N.122180.060A	M10	12.2	18.0	6.0	PA6/66	Std.	Natural
66N.122180.070A	M10	12.2	18.0	7.0	PA6/66	Std.	Natural
66N.122180.075A	M10	12.2	18.0	7.5	PA6/66	Std.	Natural
66N.122180.080A	M10	12.2	18.0	8.0	PA6/66	Std.	Natural
66N.122180.090A	M10	12.2	18.0	9.0	PA6/66	Std.	Natural
66N.122180.100A	M10	12.2	18.0	10.0	PA6/66	Std.	Natural
66N.122180.110A	M10	12.2	18.0	11.0	PA6/66	Std.	Natural
66N.122180.120A	M10	12.2	18.0	12.0	PA6/66	Std.	Natural
66N.122180.125A	M10	12.2	18.0	12.5	PA6/66	Std.	Natural
66N.122180.130A	M10	12.2	18.0	13.0	PA6/66	Std.	Natural
66N.122180.140A	M10	12.2	18.0	14.0	PA6/66	Std.	Natural
66N.122180.150A	M10	12.2	18.0	15.0	PA6/66	Std.	Natural
66N.122180.160A	M10	12.2	18.0	16.0	PA6/66	Std.	Natural
66N.122180.170A	M10	12.2	18.0	17.0	PA6/66	Std.	Natural
66N.122180.175A	M10	12.2	18.0	17.5	PA6/66	Std.	Natural
66N.122180.180A	M10	12.2	18.0	18.0	PA6/66	Std.	Natural
66N.122180.190A	M10	12.2	18.0	19.0	PA6/66	Std.	Natural
66N.122180.200A	M10	12.2	18.0	20.0	PA6/66	Std.	Natural
66N.122180.210A	M10	12.2	18.0	21.0	PA6/66	Std.	Natural
66N.122180.220A	M10	12.2	18.0	22.0	PA6/66	Std.	Natural
66N.122180.225A	M10	12.2	18.0	22.5	PA6/66	Std.	Natural
66N.122180.230A	M10	12.2	18.0	23.0	PA6/66	Std.	Natural
66N.122180.240A	M10	12.2	18.0	24.0	PA6/66	Std.	Natural
66N.122180.250A	M10	12.2	18.0	25.0	PA6/66	Std.	Natural
66N.122180.260A	M10	12.2	18.0	26.0	PA6/66	Std.	Natural
66N.122180.270A	M10	12.2	18.0	27.0	PA6/66	Std.	Natural
66N.122180.280A	M10	12.2	18.0	28.0	PA6/66	Std.	Natural
66N.122180.290A	M10	12.2	18.0	29.0	PA6/66	Std.	Natural
66N.122180.300A	M10	12.2	18.0	30.0	PA6/66	Std.	Natural
66N.130200.020A	M12	13.0	20.0	2.0	PA6/66	Std.	Natural
66N.130200.030A	M12	13.0	20.0	3.0	PA6/66	Std.	Natural
66N.130200.040A	M12	13.0	20.0	4.0	PA6/66	Std.	Natural
66N.130200.050A	M12	13.0	20.0	5.0	PA6/66	Std.	Natural
66N.130200.060A	M12	13.0	20.0	6.0	PA6/66	Std.	Natural
66N.130200.070A	M12	13.0	20.0	7.0	PA6/66	Std.	Natural
66N.130200.075A	M12	13.0	20.0	7.5	PA6/66	Std.	Natural
66N.130200.080A	M12	13.0	20.0	8.0	PA6/66	Std.	Natural
66N.130200.090A	M12	13.0	20.0	9.0	PA6/66	Std.	Natural
66N.130200.100A	M12	13.0	20.0	10.0	PA6/66	Std.	Natural
66N.130200.110A	M12	13.0	20.0	11.0	PA6/66	Std.	Natural
66N.130200.120A	M12	13.0	20.0	12.0	PA6/66	Std.	Natural
66N.130200.125A	M12	13.0	20.0	12.5	PA6/66	Std.	Natural
66N.130200.130A	M12	13.0	20.0	13.0	PA6/66	Std.	Natural
66N.130200.140A	M12	13.0	20.0	14.0	PA6/66	Std.	Natural
66N.130200.150A	M12	13.0	20.0	15.0	PA6/66	Std.	Natural
66N.130200.160A	M12	13.0	20.0	16.0	PA6/66	Std.	Natural
66N.130200.170A	M12	13.0	20.0	17.0	PA6/66	Std.	Natural
66N.130200.175A	M12	13.0	20.0	17.5	PA6/66	Std.	Natural
66N.130200.180A	M12	13.0	20.0	18.0	PA6/66	Std.	Natural
66N.130200.190A	M12	13.0	20.0	19.0	PA6/66	Std.	Natural
66N.130200.200A	M12	13.0	20.0	20.0	PA6/66	Std.	Natural
66N.130200.210A	M12	13.0	20.0	21.0	PA6/66	Std.	Natural
66N.130200.220A	M12	13.0	20.0	22.0	PA6/66	Std.	Natural
66N.130200.225A	M12	13.0	20.0	22.5	PA6/66	Std.	Natural
66N.130200.230A	M12	13.0	20.0	23.0	PA6/66	Std.	Natural
66N.130200.240A	M12	13.0	20.0	24.0	PA6/66	Std.	Natural
66N.130200.250A	M12	13.0	20.0	25.0	PA6/66	Std.	Natural
66N.130200.260A	M12	13.0	20.0	26.0	PA6/66	Std.	Natural
66N.130200.270A	M12	13.0	20.0	27.0	PA6/66	Std.	Natural
66N.130200.280A	M12	13.0	20.0	28.0	PA6/66	Std.	Natural
66N.130200.290A	M12	13.0	20.0	29.0	PA6/66	Std.	Natural
66N.130200.300A	M12	13.0	20.0	30.0	PA6/66	Std.	Natural
66N.130240.020A	M12	13.0	24.0	2.0	PA6/66	Std.	Natural
66N.130240.030A	M12	13.0	24.0	3.0	PA6/66	Std.	Natural
66N.130240.040A	M12	13.0	24.0	4.0	PA6/66	Std.	Natural
66N.130240.050A	M12	13.0	24.0	5.0	PA6/66	Std.	Natural
66N.130240.060A	M12	13.0	24.0	6.0	PA6/66	Std.	Natural
66N.130240.070A	M12	13.0	24.0	7.0	PA6/66	Std.	Natural

NYLON



Order No.	For thread	d ₁	d ₂	l	Material	Grade	Finish
66N.130240.075A	M12	13.0	24.0	7.5	PA6/66	Std.	Natural
66N.130240.080A	M12	13.0	24.0	8.0	PA6/66	Std.	Natural
66N.130240.090A	M12	13.0	24.0	9.0	PA6/66	Std.	Natural
66N.130240.100A	M12	13.0	24.0	10.0	PA6/66	Std.	Natural
66N.130240.110A	M12	13.0	24.0	11.0	PA6/66	Std.	Natural
66N.130240.120A	M12	13.0	24.0	12.0	PA6/66	Std.	Natural
66N.130240.125A	M12	13.0	24.0	12.5	PA6/66	Std.	Natural
66N.130240.130A	M12	13.0	24.0	13.0	PA6/66	Std.	Natural
66N.130240.140A	M12	13.0	24.0	14.0	PA6/66	Std.	Natural
66N.130240.150A	M12	13.0	24.0	15.0	PA6/66	Std.	Natural
66N.130240.160A	M12	13.0	24.0	16.0	PA6/66	Std.	Natural
66N.130240.170A	M12	13.0	24.0	17.0	PA6/66	Std.	Natural
66N.130240.175A	M12	13.0	24.0	17.5	PA6/66	Std.	Natural
66N.130240.180A	M12	13.0	24.0	18.0	PA6/66	Std.	Natural
66N.130240.190A	M12	13.0	24.0	19.0	PA6/66	Std.	Natural
66N.130240.200A	M12	13.0	24.0	20.0	PA6/66	Std.	Natural
66N.130240.210A	M12	13.0	24.0	21.0	PA6/66	Std.	Natural
66N.130240.220A	M12	13.0	24.0	22.0	PA6/66	Std.	Natural
66N.130240.225A	M12	13.0	24.0	22.5	PA6/66	Std.	Natural
66N.130240.230A	M12	13.0	24.0	23.0	PA6/66	Std.	Natural
66N.130240.240A	M12	13.0	24.0	24.0	PA6/66	Std.	Natural
66N.130240.250A	M12	13.0	24.0	25.0	PA6/66	Std.	Natural
66N.130240.260A	M12	13.0	24.0	26.0	PA6/66	Std.	Natural
66N.130240.270A	M12	13.0	24.0	27.0	PA6/66	Std.	Natural
66N.130240.280A	M12	13.0	24.0	28.0	PA6/66	Std.	Natural
66N.130240.290A	M12	13.0	24.0	29.0	PA6/66	Std.	Natural
66N.130240.300A	M12	13.0	24.0	30.0	PA6/66	Std.	Natural
66N.130350.020A	M12	13.0	35.0	2.0	PA6/66	Std.	Natural
66N.130350.030A	M12	13.0	35.0	3.0	PA6/66	Std.	Natural
66N.130350.040A	M12	13.0	35.0	4.0	PA6/66	Std.	Natural
66N.130350.050A	M12	13.0	35.0	5.0	PA6/66	Std.	Natural
66N.130350.060A	M12	13.0	35.0	6.0	PA6/66	Std.	Natural
66N.130350.070A	M12	13.0	35.0	7.0	PA6/66	Std.	Natural
66N.130350.075A	M12	13.0	35.0	7.5	PA6/66	Std.	Natural
66N.130350.080A	M12	13.0	35.0	8.0	PA6/66	Std.	Natural
66N.130350.090A	M12	13.0	35.0	9.0	PA6/66	Std.	Natural
66N.130350.100A	M12	13.0	35.0	10.0	PA6/66	Std.	Natural
66N.130350.110A	M12	13.0	35.0	11.0	PA6/66	Std.	Natural
66N.130350.120A	M12	13.0	35.0	12.0	PA6/66	Std.	Natural
66N.130350.125A	M12	13.0	35.0	12.5	PA6/66	Std.	Natural
66N.130350.130A	M12	13.0	35.0	13.0	PA6/66	Std.	Natural
66N.130350.140A	M12	13.0	35.0	14.0	PA6/66	Std.	Natural
66N.130350.150A	M12	13.0	35.0	15.0	PA6/66	Std.	Natural
66N.130350.160A	M12	13.0	35.0	16.0	PA6/66	Std.	Natural
66N.130350.170A	M12	13.0	35.0	17.0	PA6/66	Std.	Natural
66N.130350.175A	M12	13.0	35.0	17.5	PA6/66	Std.	Natural
66N.130350.180A	M12	13.0	35.0	18.0	PA6/66	Std.	Natural
66N.130350.190A	M12	13.0	35.0	19.0	PA6/66	Std.	Natural
66N.130350.200A	M12	13.0	35.0	20.0	PA6/66	Std.	Natural
66N.130350.210A	M12	13.0	35.0	21.0	PA6/66	Std.	Natural
66N.130350.220A	M12	13.0	35.0	22.0	PA6/66	Std.	Natural
66N.130350.225A	M12	13.0	35.0	22.5	PA6/66	Std.	Natural
66N.130350.230A	M12	13.0	35.0	23.0	PA6/66	Std.	Natural
66N.130350.240A	M12	13.0	35.0	24.0	PA6/66	Std.	Natural
66N.130350.250A	M12	13.0	35.0	25.0	PA6/66	Std.	Natural
66N.130350.260A	M12	13.0	35.0	26.0	PA6/66	Std.	Natural
66N.130350.270A	M12	13.0	35.0	27.0	PA6/66	Std.	Natural
66N.130350.280A	M12	13.0	35.0	28.0	PA6/66	Std.	Natural
66N.130350.290A	M12	13.0	35.0	29.0	PA6/66	Std.	Natural
66N.130350.300A	M12	13.0	35.0	30.0	PA6/66	Std.	Natural
66N.162320.020A	M14	16.2	32.0	2.0	PA6/66	Std.	Natural
66N.162320.030A	M14	16.2	32.0	3.0	PA6/66	Std.	Natural
66N.162320.040A	M14	16.2	32.0	4.0	PA6/66	Std.	Natural
66N.162320.050A	M14	16.2	32.0	5.0	PA6/66	Std.	Natural
66N.162320.060A	M14	16.2	32.0	6.0	PA6/66	Std.	Natural
66N.162320.070A	M14	16.2	32.0	7.0	PA6/66	Std.	Natural
66N.162320.075A	M14	16.2	32.0	7.5	PA6/66	Std.	Natural
66N.162320.080A	M14	16.2	32.0	8.0	PA6/66	Std.	Natural
66N.162320.090A	M14	16.2	32.0	9.0	PA6/66	Std.	Natural



Spacers - I/D 10,5 - 25,5

Nylon

Order No.	For thread	d ₁	d ₂	l	Material	Grade	Finish
66N.162320.100A	M14	16.2	32.0	10.0	PA6/66	Std.	Natural
66N.162320.110A	M14	16.2	32.0	11.0	PA6/66	Std.	Natural
66N.162320.120A	M14	16.2	32.0	12.0	PA6/66	Std.	Natural
66N.162320.125A	M14	16.2	32.0	12.5	PA6/66	Std.	Natural
66N.162320.130A	M14	16.2	32.0	13.0	PA6/66	Std.	Natural
66N.162320.140A	M14	16.2	32.0	14.0	PA6/66	Std.	Natural
66N.162320.150A	M14	16.2	32.0	15.0	PA6/66	Std.	Natural
66N.162320.160A	M14	16.2	32.0	16.0	PA6/66	Std.	Natural
66N.162320.170A	M14	16.2	32.0	17.0	PA6/66	Std.	Natural
66N.162320.175A	M14	16.2	32.0	17.5	PA6/66	Std.	Natural
66N.162320.180A	M14	16.2	32.0	18.0	PA6/66	Std.	Natural
66N.162320.190A	M14	16.2	32.0	19.0	PA6/66	Std.	Natural
66N.162320.200A	M14	16.2	32.0	20.0	PA6/66	Std.	Natural
66N.162320.210A	M14	16.2	32.0	21.0	PA6/66	Std.	Natural
66N.162320.220A	M14	16.2	32.0	22.0	PA6/66	Std.	Natural
66N.162320.225A	M14	16.2	32.0	22.5	PA6/66	Std.	Natural
66N.162320.230A	M14	16.2	32.0	23.0	PA6/66	Std.	Natural
66N.162320.240A	M14	16.2	32.0	24.0	PA6/66	Std.	Natural
66N.162320.250A	M14	16.2	32.0	25.0	PA6/66	Std.	Natural
66N.162320.260A	M14	16.2	32.0	26.0	PA6/66	Std.	Natural
66N.162320.270A	M14	16.2	32.0	27.0	PA6/66	Std.	Natural
66N.162320.280A	M14	16.2	32.0	28.0	PA6/66	Std.	Natural
66N.162320.290A	M14	16.2	32.0	29.0	PA6/66	Std.	Natural
66N.162320.300A	M14	16.2	32.0	30.0	PA6/66	Std.	Natural
66N.165240.020A	M14	16.5	24.0	2.0	PA6/66	Std.	Natural
66N.165240.030A	M14	16.5	24.0	3.0	PA6/66	Std.	Natural
66N.165240.040A	M14	16.5	24.0	4.0	PA6/66	Std.	Natural
66N.165240.050A	M14	16.5	24.0	5.0	PA6/66	Std.	Natural
66N.165240.060A	M14	16.5	24.0	6.0	PA6/66	Std.	Natural
66N.165240.070A	M14	16.5	24.0	7.0	PA6/66	Std.	Natural
66N.165240.075A	M14	16.5	24.0	7.5	PA6/66	Std.	Natural
66N.165240.080A	M14	16.5	24.0	8.0	PA6/66	Std.	Natural
66N.165240.090A	M14	16.5	24.0	9.0	PA6/66	Std.	Natural
66N.165240.100A	M14	16.5	24.0	10.0	PA6/66	Std.	Natural
66N.165240.110A	M14	16.5	24.0	11.0	PA6/66	Std.	Natural
66N.165240.120A	M14	16.5	24.0	12.0	PA6/66	Std.	Natural
66N.165240.125A	M14	16.5	24.0	12.5	PA6/66	Std.	Natural
66N.165240.130A	M14	16.5	24.0	13.0	PA6/66	Std.	Natural
66N.165240.140A	M14	16.5	24.0	14.0	PA6/66	Std.	Natural
66N.165240.150A	M14	16.5	24.0	15.0	PA6/66	Std.	Natural
66N.165240.160A	M14	16.5	24.0	16.0	PA6/66	Std.	Natural
66N.165240.170A	M14	16.5	24.0	17.0	PA6/66	Std.	Natural
66N.165240.175A	M14	16.5	24.0	17.5	PA6/66	Std.	Natural
66N.165240.180A	M14	16.5	24.0	18.0	PA6/66	Std.	Natural
66N.165240.190A	M14	16.5	24.0	19.0	PA6/66	Std.	Natural
66N.165240.200A	M14	16.5	24.0	20.0	PA6/66	Std.	Natural
66N.165240.210A	M14	16.5	24.0	21.0	PA6/66	Std.	Natural
66N.165240.220A	M14	16.5	24.0	22.0	PA6/66	Std.	Natural
66N.165240.225A	M14	16.5	24.0	22.5	PA6/66	Std.	Natural
66N.165240.230A	M14	16.5	24.0	23.0	PA6/66	Std.	Natural
66N.165240.240A	M14	16.5	24.0	24.0	PA6/66	Std.	Natural
66N.165240.250A	M14	16.5	24.0	25.0	PA6/66	Std.	Natural
66N.165240.260A	M14	16.5	24.0	26.0	PA6/66	Std.	Natural
66N.165240.270A	M14	16.5	24.0	27.0	PA6/66	Std.	Natural
66N.165240.280A	M14	16.5	24.0	28.0	PA6/66	Std.	Natural
66N.165240.290A	M14	16.5	24.0	29.0	PA6/66	Std.	Natural
66N.165240.300A	M14	16.5	24.0	30.0	PA6/66	Std.	Natural
66N.165240.310A	M14	16.5	24.0	31.0	PA6/66	Std.	Natural
66N.165240.320A	M14	16.5	24.0	32.0	PA6/66	Std.	Natural
66N.165240.330A	M14	16.5	24.0	33.0	PA6/66	Std.	Natural
66N.165240.340A	M14	16.5	24.0	34.0	PA6/66	Std.	Natural
66N.165240.350A	M14	16.5	24.0	35.0	PA6/66	Std.	Natural
66N.165240.360A	M14	16.5	24.0	36.0	PA6/66	Std.	Natural
66N.165240.370A	M14	16.5	24.0	37.0	PA6/66	Std.	Natural
66N.165240.380A	M14	16.5	24.0	38.0	PA6/66	Std.	Natural
66N.165240.390A	M14	16.5	24.0	39.0	PA6/66	Std.	Natural
66N.165240.400A	M14	16.5	24.0	40.0	PA6/66	Std.	Natural
66N.200280.020A	M18	20.0	28.0	2.0	PA6/66	Std.	Natural
66N.200280.030A	M18	20.0	28.0	3.0	PA6/66	Std.	Natural

NYLON



Order No.	For thread	d ₁	d ₂	l	Material	Grade	Finish
66N.200280.040A	M18	20.0	28.0	4.0	PA6/66	Std.	Natural
66N.200280.050A	M18	20.0	28.0	5.0	PA6/66	Std.	Natural
66N.200280.060A	M18	20.0	28.0	6.0	PA6/66	Std.	Natural
66N.200280.070A	M18	20.0	28.0	7.0	PA6/66	Std.	Natural
66N.200280.075A	M18	20.0	28.0	7.5	PA6/66	Std.	Natural
66N.200280.080A	M18	20.0	28.0	8.0	PA6/66	Std.	Natural
66N.200280.090A	M18	20.0	28.0	9.0	PA6/66	Std.	Natural
66N.200280.100A	M18	20.0	28.0	10.0	PA6/66	Std.	Natural
66N.200280.110A	M18	20.0	28.0	11.0	PA6/66	Std.	Natural
66N.200280.120A	M18	20.0	28.0	12.0	PA6/66	Std.	Natural
66N.200280.125A	M18	20.0	28.0	12.5	PA6/66	Std.	Natural
66N.200280.130A	M18	20.0	28.0	13.0	PA6/66	Std.	Natural
66N.200280.140A	M18	20.0	28.0	14.0	PA6/66	Std.	Natural
66N.200280.150A	M18	20.0	28.0	15.0	PA6/66	Std.	Natural
66N.200280.160A	M18	20.0	28.0	16.0	PA6/66	Std.	Natural
66N.200280.170A	M18	20.0	28.0	17.0	PA6/66	Std.	Natural
66N.200280.175A	M18	20.0	28.0	17.5	PA6/66	Std.	Natural
66N.200280.180A	M18	20.0	28.0	18.0	PA6/66	Std.	Natural
66N.200280.190A	M18	20.0	28.0	19.0	PA6/66	Std.	Natural
66N.200280.200A	M18	20.0	28.0	20.0	PA6/66	Std.	Natural
66N.200280.210A	M18	20.0	28.0	21.0	PA6/66	Std.	Natural
66N.200280.220A	M18	20.0	28.0	22.0	PA6/66	Std.	Natural
66N.200280.225A	M18	20.0	28.0	22.5	PA6/66	Std.	Natural
66N.200280.230A	M18	20.0	28.0	23.0	PA6/66	Std.	Natural
66N.200280.240A	M18	20.0	28.0	24.0	PA6/66	Std.	Natural
66N.200280.250A	M18	20.0	28.0	25.0	PA6/66	Std.	Natural
66N.200280.260A	M18	20.0	28.0	26.0	PA6/66	Std.	Natural
66N.200280.270A	M18	20.0	28.0	27.0	PA6/66	Std.	Natural
66N.200280.280A	M18	20.0	28.0	28.0	PA6/66	Std.	Natural
66N.200280.290A	M18	20.0	28.0	29.0	PA6/66	Std.	Natural
66N.200280.300A	M18	20.0	28.0	30.0	PA6/66	Std.	Natural
66N.255300.020A	M24	25.5	30.0	2.0	PA6/66	Std.	Natural
66N.255300.030A	M24	25.5	30.0	3.0	PA6/66	Std.	Natural
66N.255300.040A	M24	25.5	30.0	4.0	PA6/66	Std.	Natural
66N.255300.050A	M24	25.5	30.0	5.0	PA6/66	Std.	Natural
66N.255300.060A	M24	25.5	30.0	6.0	PA6/66	Std.	Natural
66N.255300.070A	M24	25.5	30.0	7.0	PA6/66	Std.	Natural
66N.255300.075A	M24	25.5	30.0	7.5	PA6/66	Std.	Natural
66N.255300.080A	M24	25.5	30.0	8.0	PA6/66	Std.	Natural
66N.255300.090A	M24	25.5	30.0	9.0	PA6/66	Std.	Natural
66N.255300.100A	M24	25.5	30.0	10.0	PA6/66	Std.	Natural
66N.255300.110A	M24	25.5	30.0	11.0	PA6/66	Std.	Natural
66N.255300.120A	M24	25.5	30.0	12.0	PA6/66	Std.	Natural
66N.255300.125A	M24	25.5	30.0	12.5	PA6/66	Std.	Natural
66N.255300.130A	M24	25.5	30.0	13.0	PA6/66	Std.	Natural
66N.255300.140A	M24	25.5	30.0	14.0	PA6/66	Std.	Natural
66N.255300.150A	M24	25.5	30.0	15.0	PA6/66	Std.	Natural
66N.255300.160A	M24	25.5	30.0	16.0	PA6/66	Std.	Natural
66N.255300.170A	M24	25.5	30.0	17.0	PA6/66	Std.	Natural
66N.255300.175A	M24	25.5	30.0	17.5	PA6/66	Std.	Natural
66N.255300.180A	M24	25.5	30.0	18.0	PA6/66	Std.	Natural
66N.255300.190A	M24	25.5	30.0	19.0	PA6/66	Std.	Natural
66N.255300.200A	M24	25.5	30.0	20.0	PA6/66	Std.	Natural
66N.255300.210A	M24	25.5	30.0	21.0	PA6/66	Std.	Natural
66N.255300.220A	M24	25.5	30.0	22.0	PA6/66	Std.	Natural
66N.255300.225A	M24	25.5	30.0	22.5	PA6/66	Std.	Natural
66N.255300.230A	M24	25.5	30.0	23.0	PA6/66	Std.	Natural
66N.255300.240A	M24	25.5	30.0	24.0	PA6/66	Std.	Natural
66N.255300.250A	M24	25.5	30.0	25.0	PA6/66	Std.	Natural
66N.255300.260A	M24	25.5	30.0	26.0	PA6/66	Std.	Natural
66N.255300.270A	M24	25.5	30.0	27.0	PA6/66	Std.	Natural
66N.255300.280A	M24	25.5	30.0	28.0	PA6/66	Std.	Natural
66N.255300.290A	M24	25.5	30.0	29.0	PA6/66	Std.	Natural
66N.255300.300A	M24	25.5	30.0	30.0	PA6/66	Std.	Natural