

**N0190.57N**

NYLON

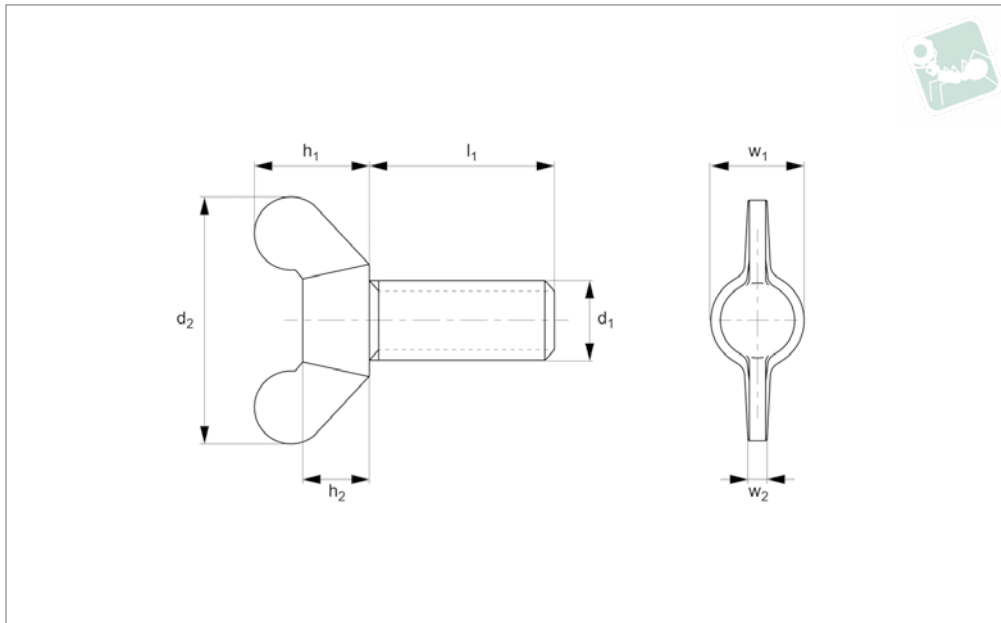
### Material

Nylon PA-6/66 (Std - standard grade), natural.

Order No.	d	l	Material	Grade	Colour	To standard
57N.040.0060.0A	M 4	6	PA-6/66	Std.	Natural	DIN 316
57N.040.0080.0A	M 4	8	PA-6/66	Std.	Natural	DIN 316
57N.040.0100.0A	M 4	10	PA-6/66	Std.	Natural	DIN 316
57N.040.0120.0A	M 4	12	PA-6/66	Std.	Natural	DIN 316
57N.040.0160.0A	M 4	16	PA-6/66	Std.	Natural	DIN 316
57N.040.0200.0A	M 4	20	PA-6/66	Std.	Natural	DIN 316
57N.040.0250.0A	M 4	25	PA-6/66	Std.	Natural	DIN 316
57N.050.0060.0A	M 5	6	PA-6/66	Std.	Natural	DIN 316
57N.050.0080.0A	M 5	8	PA-6/66	Std.	Natural	DIN 316
57N.050.0100.0A	M 5	10	PA-6/66	Std.	Natural	DIN 316
57N.050.0120.0A	M 5	12	PA-6/66	Std.	Natural	DIN 316
57N.050.0160.0A	M 5	16	PA-6/66	Std.	Natural	DIN 316
57N.050.0200.0A	M 5	20	PA-6/66	Std.	Natural	DIN 316
57N.050.0250.0A	M 5	25	PA-6/66	Std.	Natural	DIN 316
57N.050.0300.0A	M 5	30	PA-6/66	Std.	Natural	DIN 316
57N.050.0350.0A	M 5	35	PA-6/66	Std.	Natural	DIN 316
57N.050.0400.0A	M 5	40	PA-6/66	Std.	Natural	DIN 316
57N.050.0450.0A	M 5	45	PA-6/66	Std.	Natural	DIN 316
57N.050.0500.0A	M 5	50	PA-6/66	Std.	Natural	DIN 316
57N.050.0550.0A	M 5	55	PA-6/66	Std.	Natural	DIN 316
57N.050.0600.0A	M 5	60	PA-6/66	Std.	Natural	DIN 316
57N.050.0700.0A	M 5	70	PA-6/66	Std.	Natural	DIN 316
57N.060.0060.0A	M 6	6	PA-6/66	Std.	Natural	DIN 316
57N.060.0080.0A	M 6	8	PA-6/66	Std.	Natural	DIN 316
57N.060.0100.0A	M 6	10	PA-6/66	Std.	Natural	DIN 316
57N.060.0120.0A	M 6	12	PA-6/66	Std.	Natural	DIN 316
57N.060.0160.0A	M 6	16	PA-6/66	Std.	Natural	DIN 316
57N.060.0200.0A	M 6	20	PA-6/66	Std.	Natural	DIN 316
57N.060.0250.0A	M 6	25	PA-6/66	Std.	Natural	DIN 316
57N.060.0300.0A	M 6	30	PA-6/66	Std.	Natural	DIN 316
57N.060.0350.0A	M 6	35	PA-6/66	Std.	Natural	DIN 316
57N.060.0400.0A	M 6	40	PA-6/66	Std.	Natural	DIN 316
57N.060.0450.0A	M 6	45	PA-6/66	Std.	Natural	DIN 316
57N.060.0500.0A	M 6	50	PA-6/66	Std.	Natural	DIN 316
57N.060.0600.0A	M 6	60	PA-6/66	Std.	Natural	DIN 316



Order No.	d	l	Material	Grade	Colour	To standard
57N.060.0700.OA	M 6	70	PA-6/66	Std.	Natural	DIN 316
57N.060.0800.OA	M 6	80	PA-6/66	Std.	Natural	DIN 316
57N.080.0060.OA	M 8	6	PA-6/66	Std.	Natural	DIN 316
57N.080.0080.OA	M 8	8	PA-6/66	Std.	Natural	DIN 316
57N.080.0100.OA	M 8	10	PA-6/66	Std.	Natural	DIN 316
57N.080.0120.OA	M 8	12	PA-6/66	Std.	Natural	DIN 316
57N.080.0160.OA	M 8	16	PA-6/66	Std.	Natural	DIN 316
57N.080.0200.OA	M 8	20	PA-6/66	Std.	Natural	DIN 316
57N.080.0250.OA	M 8	25	PA-6/66	Std.	Natural	DIN 316
57N.080.0300.OA	M 8	30	PA-6/66	Std.	Natural	DIN 316
57N.080.0350.OA	M 8	35	PA-6/66	Std.	Natural	DIN 316
57N.080.0400.OA	M 8	40	PA-6/66	Std.	Natural	DIN 316
57N.080.0450.OA	M 8	45	PA-6/66	Std.	Natural	DIN 316
57N.080.0500.OA	M 8	50	PA-6/66	Std.	Natural	DIN 316
57N.080.0600.OA	M 8	60	PA-6/66	Std.	Natural	DIN 316
57N.080.0700.OA	M 8	70	PA-6/66	Std.	Natural	DIN 316
57N.080.0800.OA	M 8	80	PA-6/66	Std.	Natural	DIN 316
57N.100.0060.OA	M10	6	PA-6/66	Std.	Natural	DIN 316
57N.100.0080.OA	M10	8	PA-6/66	Std.	Natural	DIN 316
57N.100.0100.OA	M10	10	PA-6/66	Std.	Natural	DIN 316
57N.100.0120.OA	M10	12	PA-6/66	Std.	Natural	DIN 316
57N.100.0160.OA	M10	16	PA-6/66	Std.	Natural	DIN 316
57N.100.0200.OA	M10	20	PA-6/66	Std.	Natural	DIN 316
57N.100.0250.OA	M10	25	PA-6/66	Std.	Natural	DIN 316
57N.100.0300.OA	M10	30	PA-6/66	Std.	Natural	DIN 316
57N.100.0350.OA	M10	35	PA-6/66	Std.	Natural	DIN 316
57N.100.0400.OA	M10	40	PA-6/66	Std.	Natural	DIN 316
57N.100.0450.OA	M10	45	PA-6/66	Std.	Natural	DIN 316
57N.100.0500.OA	M10	50	PA-6/66	Std.	Natural	DIN 316
57N.100.0600.OA	M10	60	PA-6/66	Std.	Natural	DIN 316
57N.100.0700.OA	M10	70	PA-6/66	Std.	Natural	DIN 316
57N.100.0800.OA	M10	80	PA-6/66	Std.	Natural	DIN 316
57N.120.0100.OA	M12	10	PA-6/66	Std.	Natural	DIN 316
57N.120.0120.OA	M12	12	PA-6/66	Std.	Natural	DIN 316
57N.120.0160.OA	M12	16	PA-6/66	Std.	Natural	DIN 316
57N.120.0200.OA	M12	20	PA-6/66	Std.	Natural	DIN 316
57N.120.0250.OA	M12	25	PA-6/66	Std.	Natural	DIN 316
57N.120.0300.OA	M12	30	PA-6/66	Std.	Natural	DIN 316
57N.120.0350.OA	M12	35	PA-6/66	Std.	Natural	DIN 316
57N.120.0400.OA	M12	40	PA-6/66	Std.	Natural	DIN 316
57N.120.0450.OA	M12	45	PA-6/66	Std.	Natural	DIN 316
57N.120.0500.OA	M12	50	PA-6/66	Std.	Natural	DIN 316
57N.120.0600.OA	M12	60	PA-6/66	Std.	Natural	DIN 316
57N.120.0700.OA	M12	70	PA-6/66	Std.	Natural	DIN 316
57N.120.0800.OA	M12	80	PA-6/66	Std.	Natural	DIN 316



## N0192.92N

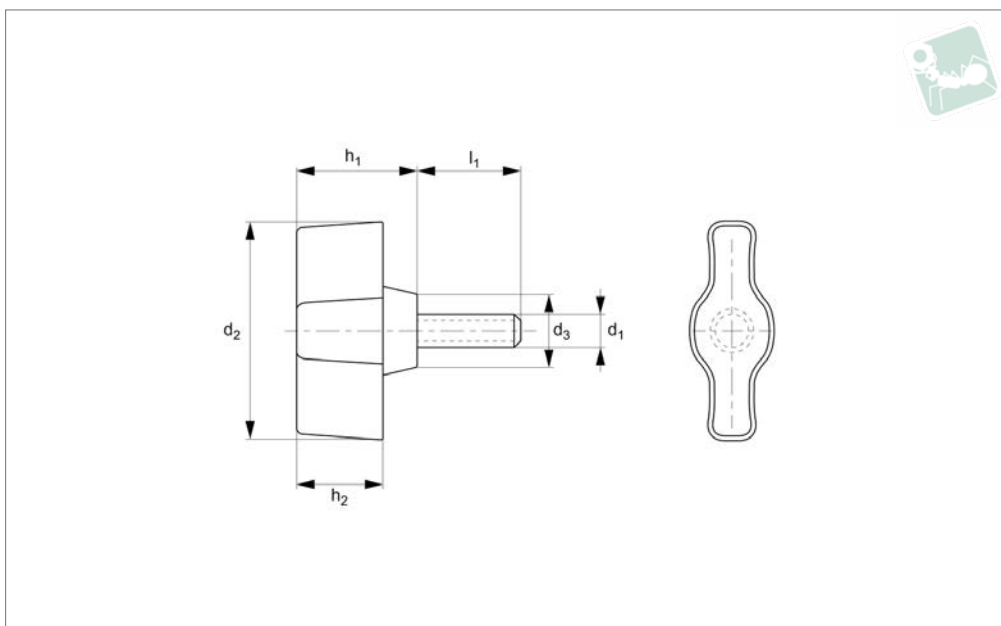
### Material

Nylon PA-6/66 (Std - standard grade), natural.

Order No.	d <sub>1</sub>	l <sub>1</sub>	d <sub>2</sub>	h <sub>1</sub>	l <sub>2</sub>	w <sub>1</sub>	w <sub>2</sub>	Material	Grade	Colour
92N.060.0060.0A	M 6	6	21.8	12	5.8	8.2	2.5	PA-6/66	Std.	Natural
92N.060.0080.0A	M 6	8	21.8	12	5.8	8.2	2.5	PA-6/66	Std.	Natural
92N.060.0100.0A	M 6	10	21.8	12	5.8	8.2	2.5	PA-6/66	Std.	Natural
92N.060.0120.0A	M 6	12	21.8	12	5.8	8.2	2.5	PA-6/66	Std.	Natural
92N.060.0160.0A	M 6	16	21.8	12	5.8	8.2	2.5	PA-6/66	Std.	Natural
92N.060.0200.0A	M 6	20	21.8	12	5.8	8.2	2.5	PA-6/66	Std.	Natural
92N.060.0250.0A	M 6	25	21.8	12	5.8	8.2	2.5	PA-6/66	Std.	Natural
92N.060.0300.0A	M 6	30	21.8	12	5.8	8.2	2.5	PA-6/66	Std.	Natural
92N.060.0350.0A	M 6	35	21.8	12	5.8	8.2	2.5	PA-6/66	Std.	Natural
92N.060.0400.0A	M 6	40	21.8	12	5.8	8.2	2.5	PA-6/66	Std.	Natural
92N.060.0450.0A	M 6	45	21.8	12	5.8	8.2	2.5	PA-6/66	Std.	Natural
92N.060.0500.0A	M 6	50	21.8	12	5.8	8.2	2.5	PA-6/66	Std.	Natural
92N.060.0600.0A	M 6	60	21.8	12	5.8	8.2	2.5	PA-6/66	Std.	Natural
92N.060.0700.0A	M 6	70	21.8	12	5.8	8.2	2.5	PA-6/66	Std.	Natural
92N.060.0800.0A	M 6	80	21.8	12	5.8	8.2	2.5	PA-6/66	Std.	Natural
92N.080.0060.0A	M 8	6	21.8	12	5.8	8.2	2.5	PA-6/66	Std.	Natural
92N.080.0080.0A	M 8	8	21.8	12	5.8	8.2	2.5	PA-6/66	Std.	Natural
92N.080.0100.0A	M 8	10	21.8	12	5.8	8.2	2.5	PA-6/66	Std.	Natural
92N.080.0120.0A	M 8	12	21.8	12	5.8	8.2	2.5	PA-6/66	Std.	Natural
92N.080.0160.0A	M 8	16	21.8	12	5.8	8.2	2.5	PA-6/66	Std.	Natural
92N.080.0200.0A	M 8	20	21.8	12	5.8	8.2	2.5	PA-6/66	Std.	Natural
92N.080.0250.0A	M 8	25	21.8	12	5.8	8.2	2.5	PA-6/66	Std.	Natural
92N.080.0300.0A	M 8	30	21.8	12	5.8	8.2	2.5	PA-6/66	Std.	Natural
92N.080.0350.0A	M 8	35	21.8	12	5.8	8.2	2.5	PA-6/66	Std.	Natural
92N.080.0400.0A	M 8	40	21.8	12	5.8	8.2	2.5	PA-6/66	Std.	Natural
92N.080.0450.0A	M 8	45	21.8	12	5.8	8.2	2.5	PA-6/66	Std.	Natural
92N.080.0500.0A	M 8	50	21.8	12	5.8	8.2	2.5	PA-6/66	Std.	Natural
92N.080.0600.0A	M 8	60	21.8	12	5.8	8.2	2.5	PA-6/66	Std.	Natural
92N.080.0700.0A	M 8	70	21.8	12	5.8	8.2	2.5	PA-6/66	Std.	Natural
92N.080.0800.0A	M 8	80	21.8	12	5.8	8.2	2.5	PA-6/66	Std.	Natural



# N0196.32N



### Material

Nylon PA-6/66 (Std - standard grade),  
natural.

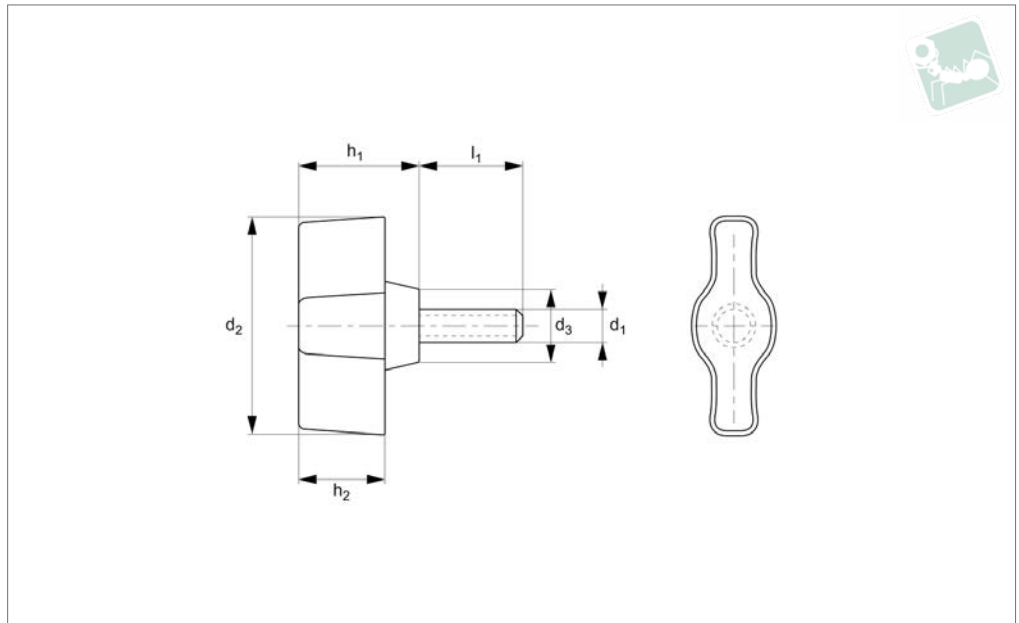
Order No.	d <sub>1</sub>	l <sub>1</sub>	d <sub>2</sub>	d <sub>3</sub>	h	l <sub>2</sub>	Material	Grade	Colour
32N.040.0060.0A	M 4	6	29.5	10	17	12	PA-6/66	Std.	Natural
32N.040.0080.0A	M 4	8	29.5	10	17	12	PA-6/66	Std.	Natural
32N.040.0100.0A	M 4	10	29.5	10	17	12	PA-6/66	Std.	Natural
32N.040.0120.0A	M 4	12	29.5	10	17	12	PA-6/66	Std.	Natural
32N.040.0160.0A	M 4	16	29.5	10	17	12	PA-6/66	Std.	Natural
32N.040.0200.0A	M 4	20	29.5	10	17	12	PA-6/66	Std.	Natural
32N.040.0250.0A	M 4	25	29.5	10	17	12	PA-6/66	Std.	Natural
32N.050.0060.0A	M 5	6	29.5	10	17	12	PA-6/66	Std.	Natural
32N.050.0080.0A	M 5	8	29.5	10	17	12	PA-6/66	Std.	Natural
32N.050.0100.0A	M 5	10	29.5	10	17	12	PA-6/66	Std.	Natural
32N.050.0120.0A	M 5	12	29.5	10	17	12	PA-6/66	Std.	Natural
32N.050.0160.0A	M 5	16	29.5	10	17	12	PA-6/66	Std.	Natural
32N.050.0200.0A	M 5	20	29.5	10	17	12	PA-6/66	Std.	Natural
32N.050.0250.0A	M 5	25	29.5	10	17	12	PA-6/66	Std.	Natural
32N.050.0300.0A	M 5	30	29.5	10	17	12	PA-6/66	Std.	Natural
32N.050.0350.0A	M 5	35	29.5	10	17	12	PA-6/66	Std.	Natural
32N.050.0400.0A	M 5	40	29.5	10	17	12	PA-6/66	Std.	Natural
32N.060.0060.0A	M 6	6	29.5	10	17	12	PA-6/66	Std.	Natural
32N.060.0080.0A	M 6	8	29.5	10	17	12	PA-6/66	Std.	Natural
32N.060.0100.0A	M 6	10	29.5	10	17	12	PA-6/66	Std.	Natural
32N.060.0120.0A	M 6	12	29.5	10	17	12	PA-6/66	Std.	Natural
32N.060.0160.0A	M 6	16	29.5	10	17	12	PA-6/66	Std.	Natural
32N.060.0200.0A	M 6	20	29.5	10	17	12	PA-6/66	Std.	Natural
32N.060.0250.0A	M 6	25	29.5	10	17	12	PA-6/66	Std.	Natural
32N.060.0300.0A	M 6	30	29.5	10	17	12	PA-6/66	Std.	Natural
32N.060.0350.0A	M 6	35	29.5	10	17	12	PA-6/66	Std.	Natural
32N.060.0400.0A	M 6	40	29.5	10	17	12	PA-6/66	Std.	Natural
32N.060.0450.0A	M 6	45	29.5	10	17	12	PA-6/66	Std.	Natural
32N.060.0500.0A	M 6	50	29.5	10	17	12	PA-6/66	Std.	Natural
32N.080.0060.0A	M 8	6	29.5	10	17	12	PA-6/66	Std.	Natural
32N.080.0080.0A	M 8	8	29.5	10	17	12	PA-6/66	Std.	Natural
32N.080.0100.0A	M 8	10	29.5	10	17	12	PA-6/66	Std.	Natural
32N.080.0120.0A	M 8	12	29.5	10	17	12	PA-6/66	Std.	Natural
32N.080.0160.0A	M 8	16	29.5	10	17	12	PA-6/66	Std.	Natural
32N.080.0200.0A	M 8	20	29.5	10	17	12	PA-6/66	Std.	Natural



Order No.	d <sub>1</sub>	l <sub>1</sub>	d <sub>2</sub>	d <sub>3</sub>	h	l <sub>2</sub>	Material	Grade	Colour
<b>32N.080.0250.0A</b>	M 8	25	29.5	10	17	12	PA-6/66	Std.	Natural
<b>32N.080.0300.0A</b>	M 8	30	29.5	10	17	12	PA-6/66	Std.	Natural
<b>32N.080.0350.0A</b>	M 8	35	29.5	10	17	12	PA-6/66	Std.	Natural
<b>32N.080.0400.0A</b>	M 8	40	29.5	10	17	12	PA-6/66	Std.	Natural
<b>32N.080.0450.0A</b>	M 8	45	29.5	10	17	12	PA-6/66	Std.	Natural
<b>32N.080.0500.0A</b>	M 8	50	29.5	10	17	12	PA-6/66	Std.	Natural
<b>32N.080.0600.0A</b>	M 8	60	29.5	10	17	12	PA-6/66	Std.	Natural



**N0197.77N**



#### Material

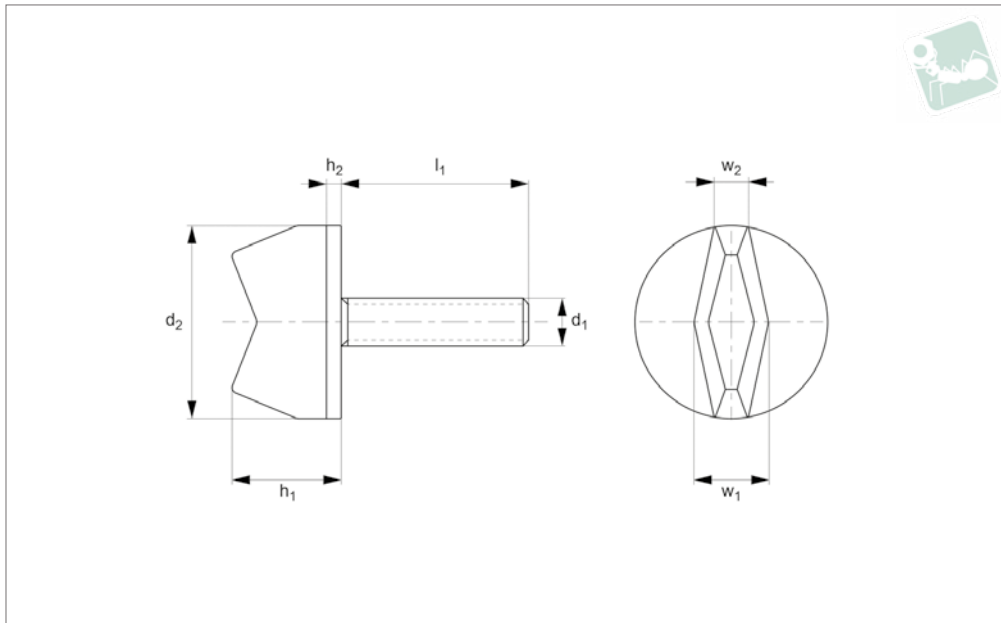
Nylon PA-6/66 (Std - standard grade),  
natural.

Order No.	d <sub>1</sub>	d <sub>2</sub>	d <sub>3</sub>	h <sub>1</sub>	h <sub>2</sub>	l	Material	Grade	Colour
77N.080.0060.OA	M 8	29.5	12	17	12	6	PA-6/66	Std.	Natural
72N.080.0080.OA	M 8	29.5	12	17	12	8	PA-6/66	Std.	Natural
72N.080.0100.OA	M 8	29.5	12	17	12	10	PA-6/66	Std.	Natural
72N.080.0120.OA	M 8	29.5	12	17	12	12	PA-6/66	Std.	Natural
72N.080.0160.OA	M 8	29.5	12	17	12	16	PA-6/66	Std.	Natural
72N.080.0200.OA	M 8	29.5	12	17	12	20	PA-6/66	Std.	Natural
72N.080.0250.OA	M 8	29.5	12	17	12	25	PA-6/66	Std.	Natural
72N.080.0300.OA	M 8	29.5	12	17	12	30	PA-6/66	Std.	Natural
72N.080.0350.OA	M 8	29.5	12	17	12	35	PA-6/66	Std.	Natural
72N.080.0400.OA	M 8	29.5	12	17	12	40	PA-6/66	Std.	Natural
72N.080.0450.OA	M 8	29.5	12	17	12	45	PA-6/66	Std.	Natural
72N.080.0500.OA	M 8	29.5	12	17	12	50	PA-6/66	Std.	Natural
72N.080.0600.OA	M 8	29.5	12	17	12	60	PA-6/66	Std.	Natural
72N.100.0060.OA	M10	29.5	12	17	12	6	PA-6/66	Std.	Natural
72N.100.0080.OA	M10	29.5	12	17	12	8	PA-6/66	Std.	Natural
72N.100.0100.OA	M10	29.5	12	17	12	10	PA-6/66	Std.	Natural
72N.100.0120.OA	M10	29.5	12	17	12	12	PA-6/66	Std.	Natural
72N.100.0160.OA	M10	29.5	12	17	12	16	PA-6/66	Std.	Natural
72N.100.0200.OA	M10	29.5	12	17	12	20	PA-6/66	Std.	Natural
72N.100.0250.OA	M10	29.5	12	17	12	25	PA-6/66	Std.	Natural
72N.100.0300.OA	M10	29.5	12	17	12	30	PA-6/66	Std.	Natural
72N.100.0350.OA	M10	29.5	12	17	12	35	PA-6/66	Std.	Natural
72N.100.0400.OA	M10	29.5	12	17	12	40	PA-6/66	Std.	Natural
72N.100.0450.OA	M10	29.5	12	17	12	45	PA-6/66	Std.	Natural
72N.100.0500.OA	M10	29.5	12	17	12	50	PA-6/66	Std.	Natural
72N.100.0600.OA	M10	29.5	12	17	12	60	PA-6/66	Std.	Natural
72N.100.0700.OA	M10	29.5	12	17	12	70	PA-6/66	Std.	Natural
72N.100.0800.OA	M10	29.5	12	17	12	80	PA-6/66	Std.	Natural



# Washers Faced Wing Screws with stud

Nylon



**N0198.54N**

## Material

Nylon PA-6/66 (Std - standard grade),  
natural.

Order No.	d <sub>1</sub>	d <sub>2</sub>	h <sub>1</sub>	h <sub>2</sub>	l	w <sub>1</sub>	w <sub>2</sub>	Material	Grade	Colour
54N.050.0060.0A	M 5	21	12.4	1.7	6	8.4	3.2	PA-6/66	Std.	Natural
54N.050.0080.0A	M 5	21	12.4	1.7	8	8.4	3.2	PA-6/66	Std.	Natural
54N.050.0100.0A	M 5	21	12.4	1.7	10	8.4	3.2	PA-6/66	Std.	Natural
54N.050.0120.0A	M 5	21	12.4	1.7	12	8.4	3.2	PA-6/66	Std.	Natural
54N.050.0150.0A	M 5	21	12.4	1.7	15	8.4	3.2	PA-6/66	Std.	Natural
54N.050.0160.0A	M 5	21	12.4	1.7	16	8.4	3.2	PA-6/66	Std.	Natural
54N.050.0170.0A	M 5	21	12.4	1.7	17	8.4	3.2	PA-6/66	Std.	Natural
54N.050.0200.0A	M 5	21	12.4	1.7	20	8.4	3.2	PA-6/66	Std.	Natural
54N.050.0250.0A	M 5	21	12.4	1.7	25	8.4	3.2	PA-6/66	Std.	Natural
54N.050.0300.0A	M 5	21	12.4	1.7	30	8.4	3.2	PA-6/66	Std.	Natural
54N.050.0350.0A	M 5	21	12.4	1.7	35	8.4	3.2	PA-6/66	Std.	Natural
54N.050.0400.0A	M 5	21	12.4	1.7	40	8.4	3.2	PA-6/66	Std.	Natural
54N.050.0450.0A	M 5	21	12.4	1.7	45	8.4	3.2	PA-6/66	Std.	Natural
54N.050.0500.0A	M 5	21	12.4	1.7	50	8.4	3.2	PA-6/66	Std.	Natural
54N.050.0550.0A	M 5	21	12.4	1.7	55	8.4	3.2	PA-6/66	Std.	Natural
54N.050.0600.0A	M 5	21	12.4	1.7	60	8.4	3.2	PA-6/66	Std.	Natural
54N.050.0700.0A	M 5	21	12.4	1.7	70	8.4	3.2	PA-6/66	Std.	Natural
54N.060.0060.0A	M 6	21	12.4	1.7	6	8.4	3.2	PA-6/66	Std.	Natural
54N.060.0080.0A	M 6	21	12.4	1.7	8	8.4	3.2	PA-6/66	Std.	Natural
54N.060.0100.0A	M 6	21	12.4	1.7	10	8.4	3.2	PA-6/66	Std.	Natural
54N.060.0120.0A	M 6	21	12.4	1.7	12	8.4	3.2	PA-6/66	Std.	Natural
54N.060.0150.0A	M 6	21	12.4	1.7	15	8.4	3.2	PA-6/66	Std.	Natural
54N.060.0160.0A	M 6	21	12.4	1.7	16	8.4	3.2	PA-6/66	Std.	Natural
54N.060.0170.0A	M 6	21	12.4	1.7	17	8.4	3.2	PA-6/66	Std.	Natural
54N.060.0200.0A	M 6	21	12.4	1.7	20	8.4	3.2	PA-6/66	Std.	Natural
54N.060.0250.0A	M 6	21	12.4	1.7	25	8.4	3.2	PA-6/66	Std.	Natural
54N.060.0300.0A	M 6	21	12.4	1.7	30	8.4	3.2	PA-6/66	Std.	Natural
54N.060.0350.0A	M 6	21	12.4	1.7	35	8.4	3.2	PA-6/66	Std.	Natural
54N.060.0400.0A	M 6	21	12.4	1.7	40	8.4	3.2	PA-6/66	Std.	Natural
54N.060.0450.0A	M 6	21	12.4	1.7	45	8.4	3.2	PA-6/66	Std.	Natural
54N.060.0500.0A	M 6	21	12.4	1.7	50	8.4	3.2	PA-6/66	Std.	Natural
54N.060.0600.0A	M 6	21	12.4	1.7	60	8.4	3.2	PA-6/66	Std.	Natural
54N.060.0700.0A	M 6	21	12.4	1.7	70	8.4	3.2	PA-6/66	Std.	Natural
54N.060.0750.0A	M 6	21	12.4	1.7	75	8.4	3.2	PA-6/66	Std.	Natural
54N.060.0800.0A	M 6	21	12.4	1.7	80	8.4	3.2	PA-6/66	Std.	Natural



Order No.	d <sub>1</sub>	d <sub>2</sub>	h <sub>1</sub>	h <sub>2</sub>	l	w <sub>1</sub>	w <sub>2</sub>	Material	Grade	Colour
54N.060.0850.0A	M 6	21	12.4	1.7	85	8.4	3.2	PA-6/66	Std.	Natural
54N.060.0900.0A	M 6	21	12.4	1.7	90	8.4	3.2	PA-6/66	Std.	Natural
54N.060.0950.0A	M 6	21	12.4	1.7	95	8.4	3.2	PA-6/66	Std.	Natural
54N.060.1000.0A	M 6	21	12.4	1.7	100	8.4	3.2	PA-6/66	Std.	Natural
54N.060.1100.0A	M 6	21	12.4	1.7	110	8.4	3.2	PA-6/66	Std.	Natural
54N.060.1200.0A	M 6	21	12.4	1.7	120	8.4	3.2	PA-6/66	Std.	Natural
54N.060.1300.0A	M 6	21	12.4	1.7	130	8.4	3.2	PA-6/66	Std.	Natural
54N.080.0060.0A	M 8	21	12.4	1.7	6	8.4	3.2	PA-6/66	Std.	Natural
54N.080.0080.0A	M 8	21	12.4	1.7	8	8.4	3.2	PA-6/66	Std.	Natural
54N.080.0100.0A	M 8	21	12.4	1.7	10	8.4	3.2	PA-6/66	Std.	Natural
54N.080.0120.0A	M 8	21	12.4	1.7	12	8.4	3.2	PA-6/66	Std.	Natural
54N.080.0150.0A	M 8	21	12.4	1.7	15	8.4	3.2	PA-6/66	Std.	Natural
54N.080.0160.0A	M 8	21	12.4	1.7	16	8.4	3.2	PA-6/66	Std.	Natural
54N.080.0170.0A	M 8	21	12.4	1.7	17	8.4	3.2	PA-6/66	Std.	Natural
54N.080.0200.0A	M 8	21	12.4	1.7	20	8.4	3.2	PA-6/66	Std.	Natural
54N.080.0250.0A	M 8	21	12.4	1.7	25	8.4	3.2	PA-6/66	Std.	Natural
54N.080.0300.0A	M 8	21	12.4	1.7	30	8.4	3.2	PA-6/66	Std.	Natural
54N.080.0350.0A	M 8	21	12.4	1.7	35	8.4	3.2	PA-6/66	Std.	Natural
54N.080.0400.0A	M 8	21	12.4	1.7	40	8.4	3.2	PA-6/66	Std.	Natural
54N.080.0450.0A	M 8	21	12.4	1.7	45	8.4	3.2	PA-6/66	Std.	Natural
54N.080.0500.0A	M 8	21	12.4	1.7	50	8.4	3.2	PA-6/66	Std.	Natural
54N.080.0600.0A	M 8	21	12.4	1.7	60	8.4	3.2	PA-6/66	Std.	Natural
54N.080.0700.0A	M 8	21	12.4	1.7	70	8.4	3.2	PA-6/66	Std.	Natural
54N.080.0750.0A	M 8	21	12.4	1.7	75	8.4	3.2	PA-6/66	Std.	Natural
54N.080.0800.0A	M 8	21	12.4	1.7	80	8.4	3.2	PA-6/66	Std.	Natural
54N.080.0850.0A	M 8	21	12.4	1.7	85	8.4	3.2	PA-6/66	Std.	Natural
54N.080.0900.0A	M 8	21	12.4	1.7	90	8.4	3.2	PA-6/66	Std.	Natural
54N.080.0950.0A	M 8	21	12.4	1.7	95	8.4	3.2	PA-6/66	Std.	Natural
54N.080.1000.0A	M 8	21	12.4	1.7	100	8.4	3.2	PA-6/66	Std.	Natural
54N.080.1100.0A	M 8	21	12.4	1.7	110	8.4	3.2	PA-6/66	Std.	Natural
54N.080.1200.0A	M 8	21	12.4	1.7	120	8.4	3.2	PA-6/66	Std.	Natural
54N.080.1300.0A	M 8	21	12.4	1.7	130	8.4	3.2	PA-6/66	Std.	Natural
54N.100.0060.0A	M10	21	12.4	1.7	6	8.4	3.2	PA-6/66	Std.	Natural
54N.100.0080.0A	M10	21	12.4	1.7	8	8.4	3.2	PA-6/66	Std.	Natural
54N.100.0100.0A	M10	21	12.4	1.7	10	8.4	3.2	PA-6/66	Std.	Natural
54N.100.0120.0A	M10	21	12.4	1.7	12	8.4	3.2	PA-6/66	Std.	Natural
54N.100.0150.0A	M10	21	12.4	1.7	15	8.4	3.2	PA-6/66	Std.	Natural
54N.100.0160.0A	M10	21	12.4	1.7	16	8.4	3.2	PA-6/66	Std.	Natural
54N.100.0170.0A	M10	21	12.4	1.7	17	8.4	3.2	PA-6/66	Std.	Natural
54N.100.0200.0A	M10	21	12.4	1.7	20	8.4	3.2	PA-6/66	Std.	Natural
54N.100.0250.0A	M10	21	12.4	1.7	25	8.4	3.2	PA-6/66	Std.	Natural
54N.100.0300.0A	M10	21	12.4	1.7	30	8.4	3.2	PA-6/66	Std.	Natural
54N.100.0350.0A	M10	21	12.4	1.7	35	8.4	3.2	PA-6/66	Std.	Natural
54N.100.0400.0A	M10	21	12.4	1.7	40	8.4	3.2	PA-6/66	Std.	Natural
54N.100.0450.0A	M10	21	12.4	1.7	45	8.4	3.2	PA-6/66	Std.	Natural
54N.100.0500.0A	M10	21	12.4	1.7	50	8.4	3.2	PA-6/66	Std.	Natural
54N.100.0600.0A	M10	21	12.4	1.7	60	8.4	3.2	PA-6/66	Std.	Natural
54N.100.0700.0A	M10	21	12.4	1.7	70	8.4	3.2	PA-6/66	Std.	Natural
54N.100.0750.0A	M10	21	12.4	1.7	75	8.4	3.2	PA-6/66	Std.	Natural
54N.100.0800.0A	M10	21	12.4	1.7	80	8.4	3.2	PA-6/66	Std.	Natural
54N.100.0850.0A	M10	21	12.4	1.7	85	8.4	3.2	PA-6/66	Std.	Natural
54N.100.0900.0A	M10	21	12.4	1.7	90	8.4	3.2	PA-6/66	Std.	Natural
54N.100.0950.0A	M10	21	12.4	1.7	95	8.4	3.2	PA-6/66	Std.	Natural
54N.100.1000.0A	M10	21	12.4	1.7	100	8.4	3.2	PA-6/66	Std.	Natural
54N.100.1100.0A	M10	21	12.4	1.7	110	8.4	3.2	PA-6/66	Std.	Natural
54N.100.1200.0A	M10	21	12.4	1.7	120	8.4	3.2	PA-6/66	Std.	Natural
54N.100.1300.0A	M10	21	12.4	1.7	130	8.4	3.2	PA-6/66	Std.	Natural
54N.120.0100.0A	M12	21	12.4	1.7	10	8.4	3.2	PA-6/66	Std.	Natural
54N.120.0120.0A	M12	21	12.4	1.7	12	8.4	3.2	PA-6/66	Std.	Natural
54N.120.0160.0A	M12	21	12.4	1.7	16	8.4	3.2	PA-6/66	Std.	Natural
54N.120.0200.0A	M12	21	12.4	1.7	20	8.4	3.2	PA-6/66	Std.	Natural
54N.120.0250.0A	M12	21	12.4	1.7	25	8.4	3.2	PA-6/66	Std.	Natural
54N.120.0300.0A	M12	21	12.4	1.7	30	8.4	3.2	PA-6/66	Std.	Natural
54N.120.0350.0A	M12	21	12.4	1.7	35	8.4	3.2	PA-6/66	Std.	Natural
54N.120.0400.0A	M12	21	12.4	1.7	40	8.4	3.2	PA-6/66	Std.	Natural
54N.120.0450.0A	M12	21	12.4	1.7	45	8.4	3.2	PA-6/66	Std.	Natural
54N.120.0500.0A	M12	21	12.4	1.7	50	8.4	3.2	PA-6/66	Std.	Natural
54N.120.0600.0A	M12	21	12.4	1.7	60	8.4	3.2	PA-6/66	Std.	Natural
54N.120.0700.0A	M12	21	12.4	1.7	70	8.4	3.2	PA-6/66	Std.	Natural





# Washers Faced Wing Screws with stud

Nylon

Order No.	d <sub>1</sub>	d <sub>2</sub>	h <sub>1</sub>	h <sub>2</sub>	l	w <sub>1</sub>	w <sub>2</sub>	Material	Grade	Colour
54N.120.0750.0A	M12	21	12.4	1.7	75	8.4	3.2	PA-6/66	Std.	Natural
54N.120.0800.0A	M12	21	12.4	1.7	80	8.4	3.2	PA-6/66	Std.	Natural
54N.120.0850.0A	M12	21	12.4	1.7	85	8.4	3.2	PA-6/66	Std.	Natural
54N.120.0900.0A	M12	21	12.4	1.7	90	8.4	3.2	PA-6/66	Std.	Natural
54N.120.0950.0A	M12	21	12.4	1.7	95	8.4	3.2	PA-6/66	Std.	Natural
54N.120.1000.0A	M12	21	12.4	1.7	100	8.4	3.2	PA-6/66	Std.	Natural
54N.120.1100.0A	M12	21	12.4	1.7	110	8.4	3.2	PA-6/66	Std.	Natural
54N.120.1200.0A	M12	21	12.4	1.7	120	8.4	3.2	PA-6/66	Std.	Natural
54N.120.1300.0A	M12	21	12.4	1.7	130	8.4	3.2	PA-6/66	Std.	Natural

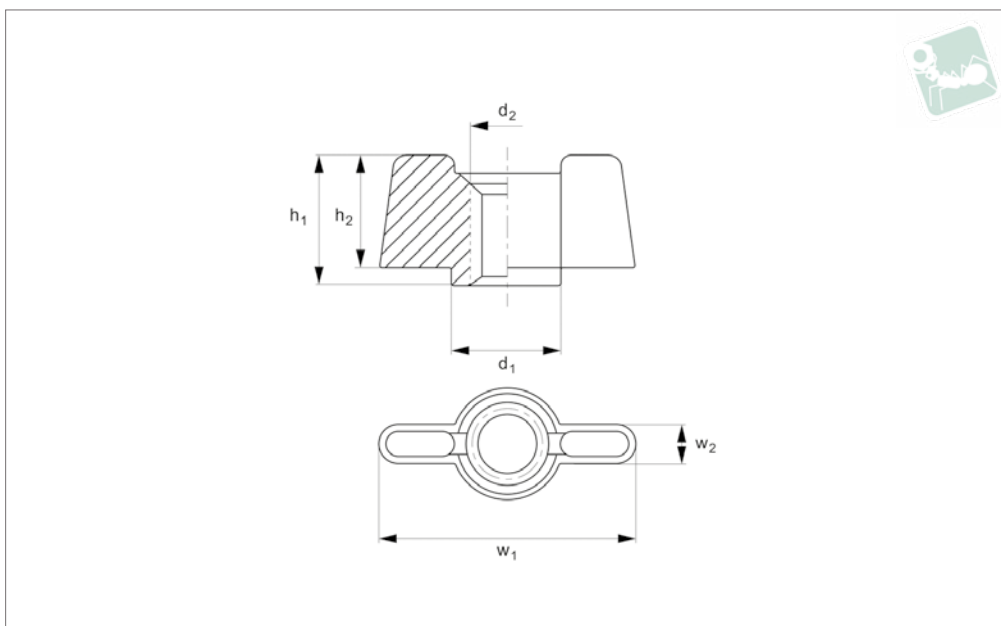
NYLON



NYLON



**N0512**



**Material**  
white Nylon.

properties. Resists temperature from -30°C to + 100°C.

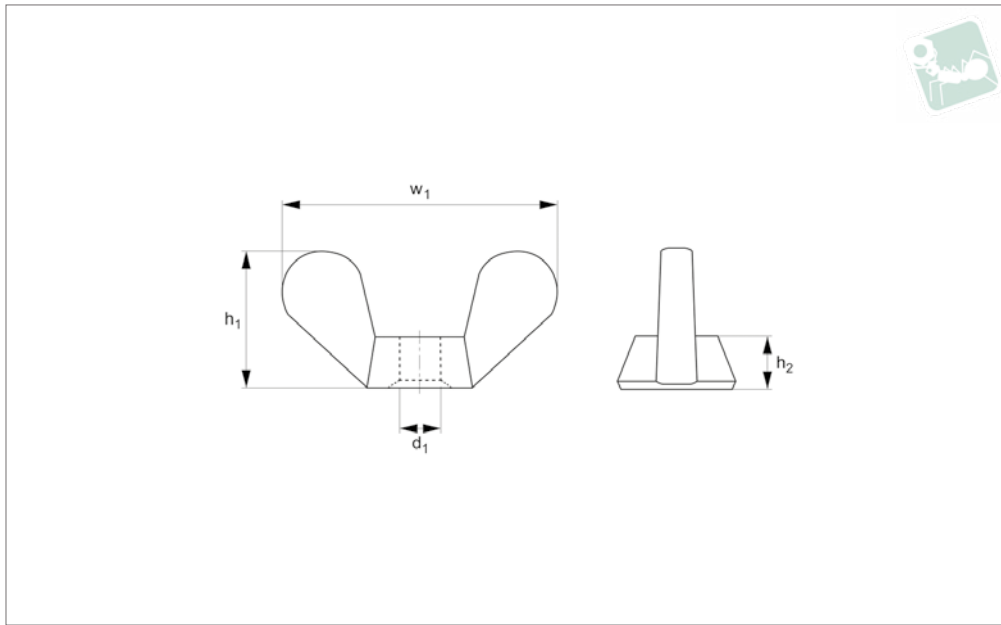
**Technical Notes**  
Light and rustproof. Good mechanical

Order No.	$d_1$	$d_2$	$h_1$	$h_2$	$w_1$	$w_2$	Material	Grade	Colour
N0512.040.0W	M 4	10.5	13.5	11.8	25.0	4.0	Nylon	Std	white
N0512.050.0W	M 5	10.5	13.5	11.8	25.0	4.0	Nylon	Std	white
N0512.060.0W	M 6	10.5	13.5	11.8	25.0	4.0	Nylon	Std	white



# Wing Nuts DIN 315

## Nylon



### N0510

NYLON

**Material**  
Nylon.

Manual tightening. Lightweight.  
Good resistance to wear and weather conditions.

**Technical Notes**  
For finishing applications.

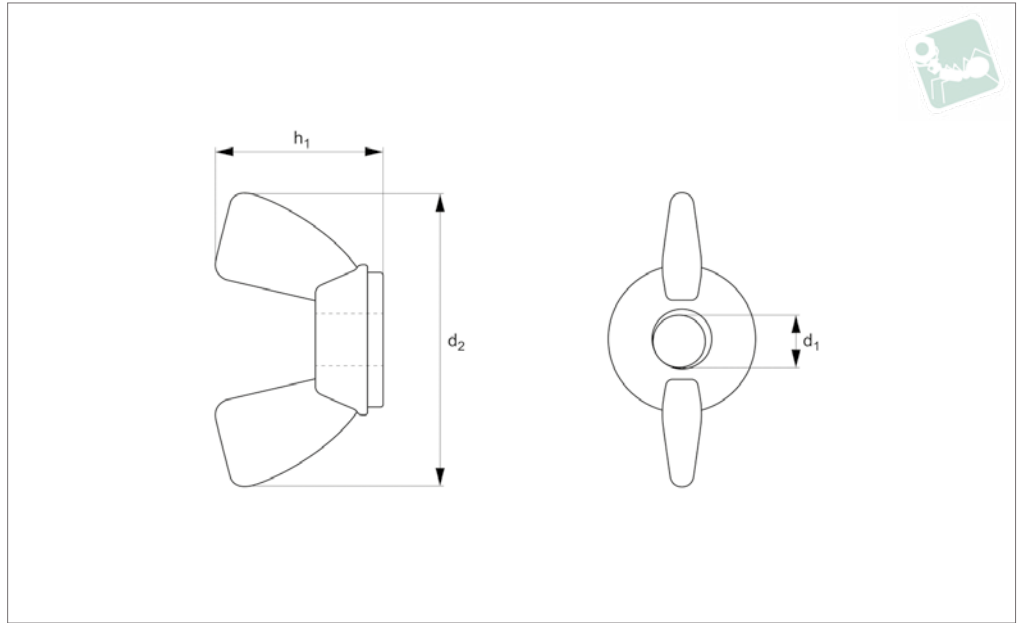
Order No.	d <sub>1</sub>	h <sub>1</sub>	h <sub>2</sub>	w <sub>1</sub>	Material	Grade	Colour	To standard
N0510.040.0AD	M 4	10.0	5.0	15.0	Nylon	Std	Natural	DIN 315
N0510.050.0AD	M 5	16.0	8.2	28.3	Nylon	Std	Natural	DIN 315
N0510.060.0AD	M 6	16.0	8.2	28.3	Nylon	Std	Natural	DIN 315
N0510.080.0AD	M 8	19.8	10.0	35.8	Nylon	Std	Natural	DIN 315
N0510.100.0AD	M10	24.8	10.0	43.5	Nylon	Std	Natural	DIN 315



NYLON



**N0511**



**Material**

Nylon PA66, natural white.

Manual tightening. Lightweight.

Good resistance to wear and weather conditions.

**Technical Notes**

For finishing applications.

Order No.	d <sub>1</sub>	d <sub>2</sub>	h
N0511.040.0A	M 4	22.8	12.2
N0511.050.0A	M 5	22.8	12.2
N0511.060.0A	M 6	27.7	16.0
N0511.080.0A	M 8	34.8	18.3
N0511.100.0A	M10	34.8	18.3
N0511.120.0A	M12	44.7	22.7