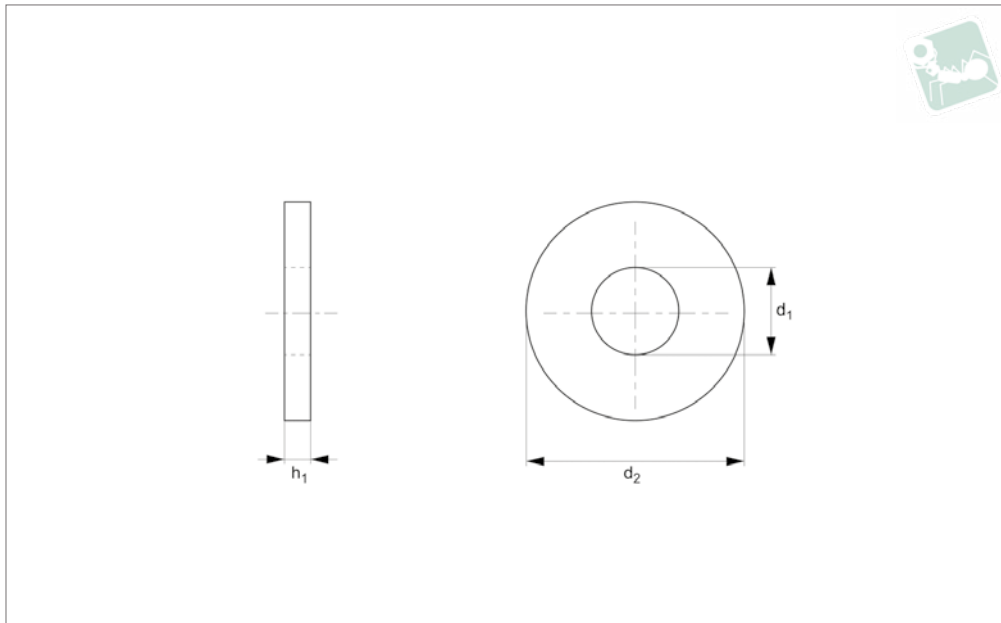




Nylon Flat Washers

DIN 125 A

Nylon



N0403.12N.1

NYLON

Material

Nylon 66 (PA 6/66), natural white.

Technical Notes

DIN standards were created for metal parts, the dimensions of our plastic DIN equivalents are close to the norm but do

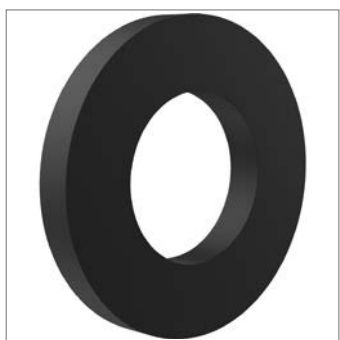
not follow the strict tolerances typically relevant to metal parts.

Many nylon parts are available in dyed black, this subject to a minimum value and process charge, please contact us for further details.

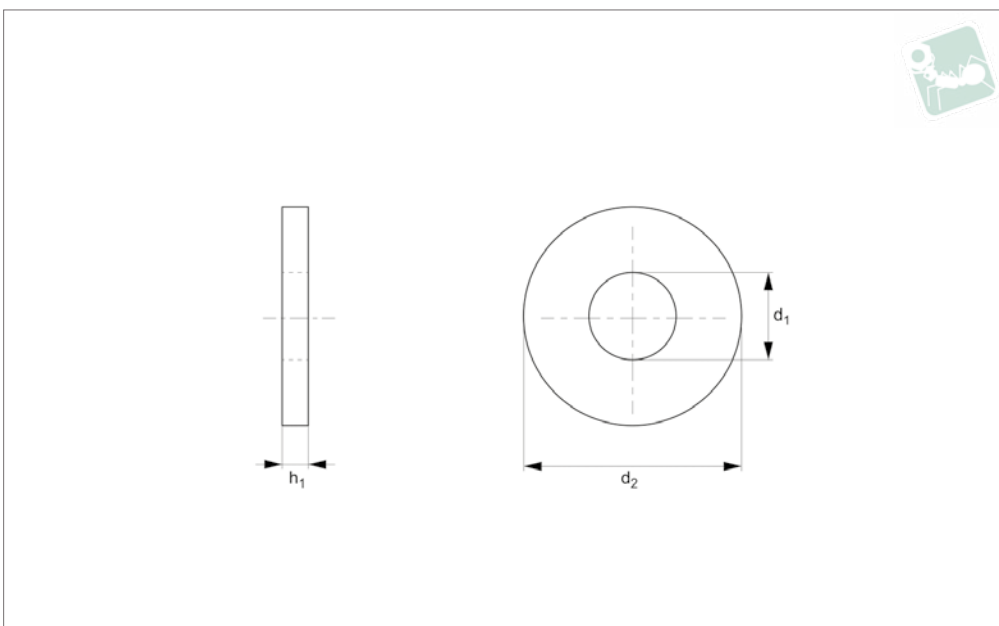
Dyed black parts are not long term UV stable for UV protective. Nylon parts offer good electrical insulation, is resistant to corrosion and most dilute acids.

Nylon protects work surfaces and absorbs shocks and vibrations.

Order No.	For thread	d ₁	d ₂	h
12N.016.0040.N	M1,6	1.7	4.0	0.3
12N.017.0045.N	M1,7	1.8	4.5	0.3
12N.020.0050.N	M 2	2.2	5.0	0.3
12N.023.0060.N	M2,3	2.5	6.0	0.5
12N.025.0060.N	M2,5	2.7	6.0	0.5
12N.026.0060.N	M2,6	2.8	7.0	0.5
12N.030.0070.N	M 3	3.2	7.0	0.5
12N.035.0080.N	M3,5	3.7	8.0	0.8
12N.040.0090.N	M 4	4.3	9.0	0.8
12N.050.0100.N	M 5	5.3	10.0	1.0
12N.060.0120.N	M 6	6.4	12.0	1.6
12N.070.0140.N	M 7	7.4	14.0	1.6
12N.080.0160.N	M 8	8.4	16.0	1.6
12N.100.0200.N	M10	10.5	20.0	2.0
12N.120.0240.N	M12	13.0	24.0	2.5
12N.140.0280.N	M14	15.0	28.0	2.5
12N.160.0300.N	M16	17.0	30.0	3.0
12N.180.0340.N	M18	19.0	34.0	3.0
12N.200.0370.N	M20	21.0	37.0	3.0
12N.220.0390.N	M22	23.0	39.0	3.0
12N.240.0440.N	M24	25.0	44.0	4.0
12N.260.0500.N	M26	27.0	50.0	4.0
12N.270.0500.N	M27	28.0	50.0	4.0
12N.280.0500.N	M28	29.0	50.0	4.0
12N.300.0560.N	M30	31.0	56.0	4.0
12N.320.0600.N	M32	33.0	60.0	5.0
12N.330.0600.N	M33	34.0	60.0	5.0
12N.350.0660.N	M35	36.0	66.0	5.0
12N.360.0660.N	M36	37.0	66.0	5.0
12N.390.0720.N	M39	40.0	72.0	6.0
12N.400.0720.N	M40	41.0	72.0	6.0



N0403.12N.2



Material

Nylon 66 (PA 6/66), black.

Technical Notes

DIN standards were created for metal parts, the dimensions of our plastic DIN equivalents are close to the norm but do

not follow the strict tolerances typically relevant to metal parts.

Many nylon parts are available in dyed black, this subject to a minimum value and process charge, please contact us for further details.

Dyed black parts are not long term UV stable for UV protective. Nylon parts offer good electrical insulation, is resistant to corrosion and most dilute acids.

Nylon protects work surfaces and absorbs shocks and vibrations.

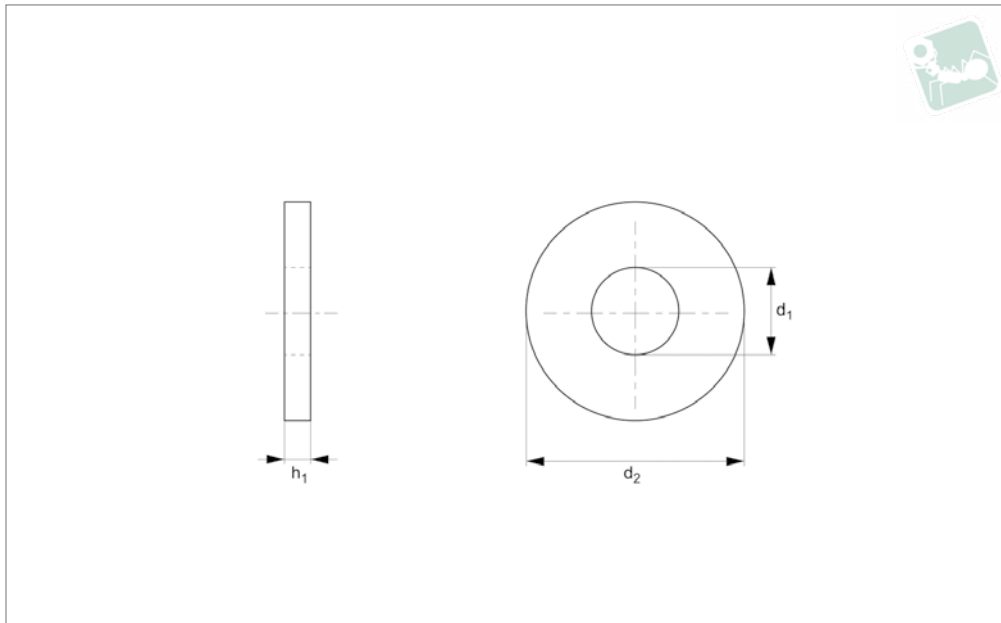
Order No.	For thread	d ₁	d ₂	h
12N.016.0040.B	M1,6	1.7	4.0	0.3
12N.017.0045.B	M1,7	1.8	4.5	0.3
12N.020.0050.B	M 2	2.2	5.0	0.3
12N.023.0060.B	M2,3	2.5	6.0	0.5
12N.025.0060.B	M2,5	2.7	6.0	0.5
12N.030.0070.B	M 3	3.2	7.0	0.5
12N.035.0080.B	M3,5	3.7	8.0	0.8
12N.040.0090.B	M 4	4.3	9.0	0.8
12N.050.0100.B	M 5	5.3	10.0	1.0
12N.060.0120.B	M 6	6.4	12.0	1.6
12N.070.0140.B	M 7	7.4	14.0	1.6
12N.080.0160.B	M 8	8.4	16.0	1.6
12N.100.0200.B	M10	10.5	20.0	2.0
12N.120.0240.B	M12	13.0	24.0	2.5
12N.140.0280.B	M14	15.0	28.0	2.5
12N.160.0300.B	M16	17.0	30.0	3.0
12N.180.0340.B	M18	19.0	34.0	3.0
12N.200.0370.B	M20	21.0	37.0	3.0
12N.220.0390.B	M22	23.0	39.0	3.0
12N.240.0440.B	M24	25.0	44.0	4.0
12N.260.0500.B	M26	27.0	50.0	4.0
12N.270.0500.B	M27	28.0	50.0	4.0
12N.280.0500.B	M28	29.0	50.0	4.0
12N.300.0560.B	M30	31.0	56.0	4.0
12N.330.0600.B	M33	34.0	60.0	5.0
12N.360.0660.B	M36	37.0	66.0	5.0
12N.390.0720.B	M39	40.0	72.0	6.0



Flat Nylon Penny Washers

DIN 9021

Nylon



N0401.90N

NYLON

Material

Nylon PA-6/66, natural white or black.

Technical Notes

DIN norms generally to DIN 9021, were created for metal parts, the dimensions of our plastic DIN equivalents are close to the

norm but do not follow the strict tolerances typically relevant to metal parts. Many Nylon parts are available in dyed black, this subject to a minimum value and process charge, please contact us for further details.

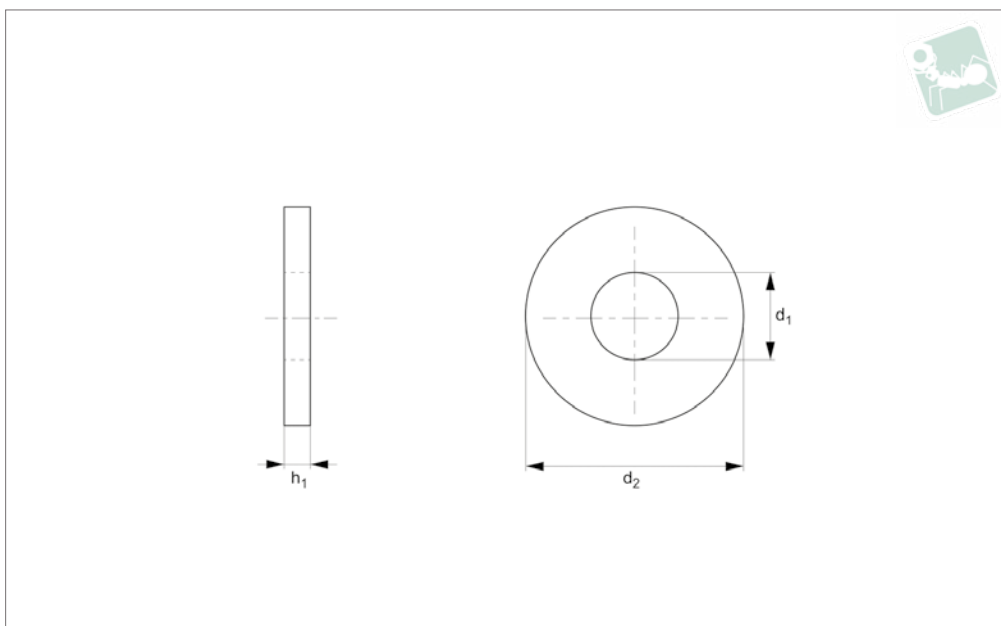
Dyed black colour is not long term UV stable. Nylon parts offer good electrical insulation, is resistant to corrosion and most dilute acids.

Nylon protects work surfaces and absorbs shocks and vibrations.

Order No.	For thread	d ₁	d ₂	h	DIN	Material
90N.025.0080.N	M2,5	2.7	8.0	0.8	DIN 9021	Natural, white
90N.030.0090.N	M 3	3.2	9.0	0.8	DIN 9021	Natural, white
90N.035.0110.N	M 3,5	3.7	11.0	0.8	DIN 9021	Natural, white
90N.040.0120.N	M 4	4.3	12.0	1.0	DIN 9021	Natural, white
90N.050.0150.N	M 5	5.3	15.0	1.5	DIN 9021	Natural, white
90N.060.0180.N	M 6	6.4	18.0	1.6	DIN 9021	Natural, white
90N.070.0220.N	M 7	7.4	22.0	2.0	DIN 9021	Natural, white
90N.080.0240.N	M 8	8.4	24.0	2.0	DIN 9021	Natural, white
90N.080.0250.N	M 8	8.4	25.0	2.0	DIN 9021	Natural, white
90N.100.0300.N	M10	10.5	30.0	2.5	DIN 9021	Natural, white
90N.120.0370.N	M12	13.0	37.0	3.0	DIN 9021	Natural, white
90N.120.0400.N	M12	13.0	40.0	3.0	DIN 9021	Natural, white
90N.140.0440.N	M14	15.0	44.0	3.0	DIN 9021	Natural, white
90N.160.0500.N	M16	17.0	50.0	3.0	DIN 9021	Natural, white
90N.180.0560.N	M18	20.0	56.0	4.0	DIN 9021	Natural, white
90N.200.0600.N	M20	21.0	60.0	4.0	DIN 9021	Natural, white
90N.030.0090.B	M 3	3.2	9.0	0.8	DIN 9021	Black
90N.040.0120.B	M 4	4.3	12.0	1.0	DIN 9021	Black
90N.050.0150.B	M 5	5.3	15.0	1.5	DIN 9021	Black
90N.060.0180.B	M 6	6.4	18.0	1.6	DIN 9021	Black
90N.070.0220.B	M 7	7.4	22.0	2.0	DIN 9021	Black
90N.100.0300.B	M10	10.5	30.0	2.5	DIN 9021	Black
90N.120.0370.B	M12	13.0	37.0	3.0	DIN 9021	Black
90N.160.0500.B	M16	17.0	50.0	3.0	DIN 9021	Black
90N.180.0560.B	M18	19.0	56.0	4.0	DIN 9021	Black
90N.200.0600.B	M20	21.0	60.0	4.0	DIN 9021	Black



N0400.04N.1



Material
Nylon.

Technical Notes
Nylon plain washer

Order No.	d ₁	d ₂	h	Material	Grade	Finish
04N.007.0022.A	0.79	2.29	0.79	PA-6/66	Std.	Natural
04N.007.0039.A	0.79	3.96	1.57	PA-6/66	Std.	Natural
04N.008.0021.A	0.81	2.16	1.57	PA-6/66	Std.	Natural
04N.008.0025.A	0.89	2.54	0.51	PA-6/66	Std.	Natural
04N.008.0031.A	0.81	3.18	1.57	PA-6/66	Std.	Natural
04N.009.0043.A	0.97	4.32	1.52	PA-6/66	Std.	Natural
04N.010.0035.A	1.02	3.51	0.84	PA-6/66	Std.	Natural
04N.011.0030.A	1.14	3.05	3.30	PA-6/66	Std.	Natural
04N.011.0031.A	1.19	3.17	3.17	PA-6/66	Std.	Natural
04N.012.0039.A	1.27	3.96	5.08	PA-6/66	Std.	Natural
04N.013.0047.A	1.30	4.70	3.35	PA-6/66	Std.	Natural
04N.014.0030.A	1.40	3.05	2.03	PA-6/66	Std.	Natural
04N.015.0030.A	1.57	3.04	2.00	PA-6/66	Std.	Natural
04N.015.0031.A1	1.50	3.18	3.18	PA-6/66	Std.	Natural
04N.015.0031.A2	1.57	3.18	2.03	PA-6/66	Std.	Natural
04N.015.0079.A	1.57	7.92	3.18	PA-6/66	Std.	Natural
04N.016.0030.A	1.60	3.05	4.57	PA-6/66	Std.	Natural
04N.016.0031.A	1.62	3.17	7.92	PA-6/66	Std.	Natural
04N.016.0032.A	1.65	3.23	1.02	PA-6/66	Std.	Natural
04N.016.0045.A	1.65	4.55	1.98	PA-6/66	Std.	Natural
04N.016.0079.A	1.60	7.92	2.29	PA-6/66	Std.	Natural
04N.017.0031.A1	1.77	3.17	1.57	PA-6/66	Std.	Natural
04N.017.0031.A2	1.78	3.18	2.29	PA-6/66	Std.	Natural
04N.017.0050.A	1.70	5.00	3.91	PA-6/66	Std.	Natural
04N.018.0036.A	1.80	3.68	1.70	PA-6/66	Std.	Natural
04N.019.0039.A	1.93	3.96	1.57	PA-6/66	Std.	Natural
04N.020.0063.A	2.06	6.35	0.63	PA-6/66	Std.	Natural
04N.020.0065.A	2.06	6.58	1.57	PA-6/66	Std.	Natural
04N.020.0176.A	2.08	17.65	4.67	PA-6/66	Std.	Natural
04N.021.0037.A	2.16	3.76	1.57	PA-6/66	Std.	Natural
04N.021.0039.A	2.16	3.96	5.08	PA-6/66	Std.	Natural
04N.021.0041.A	2.15	4.19	1.42	PA-6/66	Std.	Natural
04N.021.0047.A	2.18	4.75	3.30	PA-6/66	Std.	Natural
04N.021.0049.A	2.16	4.98	0.79	PA-6/66	Std.	Natural
04N.022.0030.A	2.29	3.05	4.57	PA-6/66	Std.	Natural



Plain Washer - I/D Ø 0-5mm

Plain

Nylon

Order No.	d ₁	d ₂	h	Material	Grade	Finish
04N.022.0047.A1	2.26	4.78	3.58	PA-6/66	Std.	Natural
04N.022.0047.A2	2.29	4.75	4.45	PA-6/66	Std.	Natural
04N.022.0063.A1	2.29	6.35	0.81	PA-6/66	Std.	Natural
04N.022.0063.A2	2.29	6.35	1.40	PA-6/66	Std.	Natural
04N.022.0063.A3	2.29	6.35	1.58	PA-6/66	Std.	Natural
04N.022.0063.A4	2.29	6.35	2.39	PA-6/66	Std.	Natural
04N.022.0063.A5	2.29	6.35	3.18	PA-6/66	Std.	Natural
04N.022.0094.A	2.29	9.45	1.98	PA-6/66	Std.	Natural
04N.023.0031.A	2.31	3.17	3.18	PA-6/66	Std.	Natural
04N.023.0038.A	2.38	3.81	0.88	PA-6/66	Std.	Natural
04N.023.0039.A	2.31	3.96	6.35	PA-6/66	Std.	Natural
04N.023.0047.A1	2.31	4.75	2.03	PA-6/66	Std.	Natural
04N.023.0047.A2	2.36	4.74	1.98	PA-6/66	Std.	Natural
04N.023.0048.A	2.39	4.83	0.51	PA-6/66	Std.	Natural
04N.023.0055.A	2.39	5.56	2.54	PA-6/66	Std.	Natural
04N.023.0063.A	2.31	6.35	4.19	PA-6/66	Std.	Natural
04N.023.0095.A	2.39	9.52	7.14	PA-6/66	Std.	Natural
04N.023.0119.A	2.36	11.94	6.36	PA-6/66	Std.	Natural
04N.023.0254.A	2.36	25.40	3.18	PA-6/66	Std.	Natural
04N.024.0045.A	2.49	4.52	1.14	PA-6/66	Std.	Natural
04N.024.0047.A	2.49	4.72	1.02	PA-6/66	Std.	Natural
04N.024.0047.B	2.49	4.72	1.02	PA-6/66	Std.	Black
04N.024.0079.A	2.41	7.92	1.57	PA-6/66	Std.	Natural
04N.025.0039.A	2.59	3.99	2.49	PA-6/66	Std.	Natural
04N.025.0050.A	2.54	5.00	3.96	PA-6/66	Std.	Natural
04N.025.0059.A	2.59	5.99	2.49	PA-6/66	Std.	Natural
04N.025.0080.A	2.54	8.03	0.84	PA-6/66	Std.	Natural
04N.025.0127.A	2.57	12.72	1.02	PA-6/66	Std.	Natural
04N.025.0317.A	2.54	31.75	1.52	PA-6/66	Std.	Natural
04N.026.0042.A	2.69	4.24	0.99	PA-6/66	Std.	Natural
04N.026.0055.A	2.64	5.59	0.79	PA-6/66	Std.	Natural
04N.027.0040.A	2.79	4.01	1.79	PA-6/66	Std.	Natural
04N.027.0043.A	2.79	4.32	0.51	PA-6/66	Std.	Natural
04N.027.0049.A	2.79	4.95	1.44	PA-6/66	Std.	Natural
04N.027.0071.A	2.71	7.14	0.51	PA-6/66	Std.	Natural
04N.027.0079.A1	2.79	7.92	3.18	PA-6/66	Std.	Natural
04N.027.0079.A2	2.79	7.98	1.57	PA-6/66	Std.	Natural
04N.028.0044.A	2.84	4.49	2.99	PA-6/66	Std.	Natural
04N.028.0052.A	2.84	5.23	1.35	PA-6/66	Std.	Natural
04N.028.0061.A	2.87	6.10	1.02	PA-6/66	Std.	Natural
04N.029.0047.A1	2.92	4.75	4.19	PA-6/66	Std.	Natural
04N.029.0047.A2	2.92	4.78	1.02	PA-6/66	Std.	Natural
04N.029.0047.A3	2.95	4.75	2.77	PA-6/66	Std.	Natural
04N.029.0050.A1	2.92	5.00	0.76	PA-6/66	Std.	Natural
04N.029.0050.A2	2.95	5.05	1.27	PA-6/66	Std.	Natural
04N.029.0063.A1	2.92	6.35	0.81	PA-6/66	Std.	Natural
04N.029.0063.A2	2.92	6.35	1.58	PA-6/66	Std.	Natural
04N.029.0063.A3	2.92	6.35	1.65	PA-6/66	Std.	Natural
04N.029.0063.A4	2.92	6.35	2.36	PA-6/66	Std.	Natural
04N.029.0063.A5	2.92	6.35	3.18	PA-6/66	Std.	Natural
04N.029.0073.A	2.92	7.38	1.19	PA-6/66	Std.	Natural
04N.029.0079.A	2.92	7.92	3.56	PA-6/66	Std.	Natural
04N.029.0095.A	2.92	9.53	4.75	PA-6/66	Std.	Natural
04N.030.0046.A	3.05	4.62	3.17	PA-6/66	Std.	Natural
04N.030.0047.A1	3.05	4.75	0.81	PA-6/66	Std.	Natural
04N.030.0047.A2	3.05	4.75	1.52	PA-6/66	Std.	Natural
04N.030.0047.A3	3.05	4.75	1.57	PA-6/66	Std.	Natural
04N.030.0047.A4	3.05	4.75	3.96	PA-6/66	Std.	Natural
04N.030.0048.A	3.05	4.83	2.54	PA-6/66	Std.	Natural
04N.030.0055.A	3.05	5.54	0.94	PA-6/66	Std.	Natural
04N.030.0063.A	3.05	6.35	3.56	PA-6/66	Std.	Natural
04N.030.0069.A	3.05	6.99	1.57	PA-6/66	Std.	Natural
04N.030.0071.A1	3.05	7.11	0.76	PA-6/66	Std.	Natural
04N.030.0071.A2	3.05	7.11	3.68	PA-6/66	Std.	Natural
04N.030.0071.A3	3.05	7.14	0.51	PA-6/66	Std.	Natural
04N.030.0071.A4	3.05	7.14	1.02	PA-6/66	Std.	Natural
04N.030.0071.A5	3.05	7.14	1.52	PA-6/66	Std.	Natural
04N.030.0073.A	3.05	7.32	1.02	PA-6/66	Std.	Natural
04N.030.0135.A	3.05	13.51	1.60	PA-6/66	Std.	Natural

NYLON



Order No.	d ₁	d ₂	h	Material	Grade	Finish
04N.031.0047.A	3.18	4.75	1.27	PA-6/66	Std.	Natural
04N.031.0050.A	3.18	5.05	1.14	PA-6/66	Std.	Natural
04N.031.0055.A	3.10	5.59	3.25	PA-6/66	Std.	Natural
04N.031.0057.A1	3.10	5.79	2.36	PA-6/66	Std.	Natural
04N.031.0057.A2	3.18	5.72	2.54	PA-6/66	Std.	Natural
04N.031.0059.A	3.18	5.97	1.02	PA-6/66	Std.	Natural
04N.031.0063.A1	3.18	6.35	1.57	PA-6/66	Std.	Natural
04N.031.0063.A2	3.18	6.35	2.41	PA-6/66	Std.	Natural
04N.031.0063.A3	3.18	6.35	3.81	PA-6/66	Std.	Natural
04N.031.0079.A	3.18	7.92	0.81	PA-6/66	Std.	Natural
04N.031.0080.A	3.18	8.00	0.79	PA-6/66	Std.	Natural
04N.031.0095.A1	3.18	9.52	1.02	PA-6/66	Std.	Natural
04N.031.0095.A2	3.18	9.52	1.83	PA-6/66	Std.	Natural
04N.031.0099.A	3.18	9.91	1.60	PA-6/66	Std.	Natural
04N.031.0127.A	3.18	12.70	3.18	PA-6/66	Std.	Natural
04N.031.0158.A	3.18	15.88	1.57	PA-6/66	Std.	Natural
04N.030.0080.B	3.2	8.0	0.8	PA-6/66	Std.	Black
04N.032.0059.A1	3.20	5.99	1.57	PA-6/66	Std.	Natural
04N.032.0059.A2	3.20	5.99	2.01	PA-6/66	Std.	Natural
04N.032.0062.A	3.25	6.22	2.36	PA-6/66	Std.	Natural
04N.032.0063.A	3.20	6.35	0.64	PA-6/66	Std.	Natural
04N.032.0081.A	3.25	8.18	1.57	PA-6/66	Std.	Natural
04N.033.0046.A	3.32	4.69	4.34	PA-6/66	Std.	Natural
04N.033.0047.A	3.30	4.75	3.81	PA-6/66	Std.	Natural
04N.033.0072.A	3.30	7.24	1.52	PA-6/66	Std.	Natural
04N.033.0080.A	3.30	8.08	1.57	PA-6/66	Std.	Natural
04N.033.0090.A	3.30	9.02	1.57	PA-6/66	Std.	Natural
04N.033.0095.A	3.30	9.52	0.76	PA-6/66	Std.	Natural
04N.033.0096.A	3.33	9.65	2.36	PA-6/66	Std.	Natural
04N.034.0054.A	3.40	5.48	1.70	PA-6/66	Std.	Natural
04N.034.0074.A	3.43	7.49	3.23	PA-6/66	Std.	Natural
04N.034.0095.A	3.43	9.52	1.57	PA-6/66	Std.	Natural
04N.034.0097.A	3.45	9.75	1.37	PA-6/66	Std.	Natural
04N.034.0124.A	3.45	12.45	1.40	PA-6/66	Std.	Natural
04N.034.0124.B	3.45	12.45	1.40	PA-6/66	Std.	Black
04N.035.0045.A	3.53	4.57	1.63	PA-6/66	Std.	Natural
04N.035.0047.A	3.58	4.75	3.18	PA-6/66	Std.	Natural
04N.035.0059.A	3.58	5.94	2.41	PA-6/66	Std.	Natural
04N.035.0063.A1	3.56	6.35	2.39	PA-6/66	Std.	Natural
04N.035.0063.A2	3.56	6.35	3.81	PA-6/66	Std.	Natural
04N.035.0063.A3	3.58	6.35	1.57	PA-6/66	Std.	Natural
04N.035.0066.A	3.56	6.60	2.03	PA-6/66	Std.	Natural
04N.035.0070.A	3.50	7.01	0.88	PA-6/66	Std.	Natural
04N.035.0071.A	3.56	7.14	0.51	PA-6/66	Std.	Natural
04N.035.0078.A	3.50	7.87	0.76	PA-6/66	Std.	Natural
04N.035.0079.A1	3.56	7.92	0.51	PA-6/66	Std.	Natural
04N.035.0079.A2	3.56	7.92	1.19	PA-6/66	Std.	Natural
04N.035.0079.A3	3.56	7.94	0.81	PA-6/66	Std.	Natural
04N.035.0079.A4	3.56	7.94	1.58	PA-6/66	Std.	Natural
04N.035.0079.A5	3.56	7.94	2.36	PA-6/66	Std.	Natural
04N.035.0079.A6	3.56	7.94	3.18	PA-6/66	Std.	Natural
04N.035.0079.B	3.56	7.94	1.58	PA-6/66	Std.	Black
04N.035.0095.A1	3.56	9.52	2.03	PA-6/66	Std.	Natural
04N.035.0095.A2	3.58	9.52	0.79	PA-6/66	Std.	Natural
04N.035.0101.A	3.56	10.16	1.57	PA-6/66	Std.	Natural
04N.035.0127.A1	3.56	12.70	1.09	PA-6/66	Std.	Natural
04N.035.0127.A2	3.56	12.70	1.57	PA-6/66	Std.	Natural
04N.035.0128.A	3.51	12.83	2.03	PA-6/66	Std.	Natural
04N.035.0142.A	3.58	14.27	1.57	PA-6/66	Std.	Natural
04N.036.0047.A	3.68	4.75	1.27	PA-6/66	Std.	Natural
04N.036.0059.A	3.60	5.99	1.14	PA-6/66	Std.	Natural
04N.036.0063.A1	3.61	6.35	2.79	PA-6/66	Std.	Natural
04N.036.0063.A2	3.63	6.35	2.08	PA-6/66	Std.	Natural
04N.036.0078.A	3.66	7.80	1.50	PA-6/66	Std.	Natural
04N.036.0094.A	3.63	9.40	3.96	PA-6/66	Std.	Natural
04N.036.0127.A	3.66	12.70	3.18	PA-6/66	Std.	Natural
04N.037.0059.A	3.76	5.99	3.00	PA-6/66	Std.	Natural
04N.037.0063.A1	3.73	6.35	3.18	PA-6/66	Std.	Natural
04N.037.0063.A2	3.73	6.35	3.96	PA-6/66	Std.	Natural



Plain Washer - I/D Ø 0-5mm

Plain

Nylon

Order No.	d ₁	d ₂	h	Material	Grade	Finish
04N.037.0125.A	3.73	12.57	7.57	PA-6/66	Std.	Natural
04N.038.0057.A1	3.81	5.72	1.14	PA-6/66	Std.	Natural
04N.038.0057.A2	3.81	5.72	2.29	PA-6/66	Std.	Natural
04N.038.0063.A	3.84	6.38	0.88	PA-6/66	Std.	Natural
04N.038.0071.A	3.81	7.11	2.74	PA-6/66	Std.	Natural
04N.038.0079.A1	3.81	7.92	0.51	PA-6/66	Std.	Natural
04N.038.0079.A2	3.81	7.92	0.76	PA-6/66	Std.	Natural
04N.038.0079.A3	3.81	7.92	1.02	PA-6/66	Std.	Natural
04N.038.0079.A4	3.81	7.92	1.27	PA-6/66	Std.	Natural
04N.038.0079.A5	3.81	7.92	1.52	PA-6/66	Std.	Natural
04N.038.0083.A	3.81	8.36	1.52	PA-6/66	Std.	Natural
04N.038.0095.A1	3.81	9.52	0.76	PA-6/66	Std.	Natural
04N.038.0095.A2	3.89	9.52	1.60	PA-6/66	Std.	Natural
04N.038.0190.A	3.81	19.05	1.40	PA-6/66	Std.	Natural
04N.039.0063.A1	3.94	6.38	1.96	PA-6/66	Std.	Natural
04N.039.0063.A2	3.96	6.35	2.54	PA-6/66	Std.	Natural
04N.039.0063.A3	3.96	6.35	3.81	PA-6/66	Std.	Natural
04N.039.0071.A	3.94	7.11	4.06	PA-6/66	Std.	Natural
04N.039.0079.A	3.96	7.94	3.18	PA-6/66	Std.	Natural
04N.039.0080.A	3.98	8.00	5.00	PA-6/66	Std.	Natural
04N.039.0081.A	3.96	8.13	0.79	PA-6/66	Std.	Natural
04N.039.0111.A1	3.96	11.13	1.57	PA-6/66	Std.	Natural
04N.039.0111.A2	3.96	11.18	0.81	PA-6/66	Std.	Natural
04N.039.0128.A	3.98	12.82	2.59	PA-6/66	Std.	Natural
04N.039.0174.A	3.96	17.45	3.43	PA-6/66	Std.	Natural
04N.039.0254.A	3.96	25.40	1.57	PA-6/66	Std.	Natural
04N.039.0285.A	3.96	28.57	6.35	PA-6/66	Std.	Natural
04N.040.0063.A1	4.07	6.35	1.57	PA-6/66	Std.	Natural
04N.040.0063.A2	4.08	6.35	4.31	PA-6/66	Std.	Natural
04N.040.0064.A	4.09	6.45	5.56	PA-6/66	Std.	Natural
04N.040.0072.A	4.06	7.24	0.81	PA-6/66	Std.	Natural
04N.040.0078.A	4.06	7.87	1.52	PA-6/66	Std.	Natural
04N.040.0095.A	4.01	9.53	0.81	PA-6/66	Std.	Natural
04N.041.0063.A	4.14	6.35	5.13	PA-6/66	Std.	Natural
04N.041.0079.A	4.11	7.92	1.57	PA-6/66	Std.	Natural
04N.041.0080.A	4.19	8.00	6.00	PA-6/66	Std.	Natural
04N.041.0127.A	4.19	12.70	1.91	PA-6/66	Std.	Natural
04N.041.0157.A	4.19	15.75	6.35	PA-6/66	Std.	Natural
04N.041.0160.A	4.19	16.00	3.00	PA-6/66	Std.	Natural
04N.042.0063.A1	4.22	6.35	1.55	PA-6/66	Std.	Natural
04N.042.0063.A2	4.22	6.35	2.08	PA-6/66	Std.	Natural
04N.042.0065.A	4.29	6.52	1.60	PA-6/66	Std.	Natural
04N.042.0075.A	4.29	7.52	1.88	PA-6/66	Std.	Natural
04N.042.0089.A	4.29	8.99	0.79	PA-6/66	Std.	Natural
04N.042.0119.A	4.24	11.99	3.07	PA-6/66	Std.	Natural
04N.043.0063.A1	4.34	6.30	2.54	PA-6/66	Std.	Natural
04N.043.0063.A2	4.34	6.35	1.34	PA-6/66	Std.	Natural
04N.043.0063.A3	4.34	6.35	2.54	PA-6/66	Std.	Natural
04N.043.0063.A4	4.34	6.35	3.73	PA-6/66	Std.	Natural
04N.043.0095.A1	4.32	9.52	1.02	PA-6/66	Std.	Natural
04N.043.0095.A2	4.32	9.52	1.27	PA-6/66	Std.	Natural
04N.043.0095.A3	4.34	9.53	0.81	PA-6/66	Std.	Natural
04N.043.0095.A4	4.34	9.53	1.58	PA-6/66	Std.	Natural
04N.043.0095.A5	4.34	9.53	2.36	PA-6/66	Std.	Natural
04N.043.0095.A6	4.34	9.53	3.18	PA-6/66	Std.	Natural
04N.043.0095.A7	4.37	9.52	1.52	PA-6/66	Std.	Natural
04N.043.0095.A8	4.39	9.52	2.36	PA-6/66	Std.	Natural
04N.043.0095.B1	4.34	9.53	0.81	PA-6/66	Std.	Black
04N.043.0095.B2	4.34	9.53	2.36	PA-6/66	Std.	Black
04N.043.0095.B3	4.34	9.53	3.18	PA-6/66	Std.	Black
04N.043.0111.A	4.34	11.13	0.81	PA-6/66	Std.	Natural
04N.043.0160.A	4.34	16.00	1.52	PA-6/66	Std.	Natural
04N.043.0173.A	4.32	17.32	1.57	PA-6/66	Std.	Natural
04N.043.0173.B	4.32	17.32	1.57	PA-6/66	Std.	Black
04N.044.0071.A	4.44	7.14	0.79	PA-6/66	Std.	Natural
04N.044.0127.A	4.45	12.70	1.57	PA-6/66	Std.	Natural
04N.045.0090.A	4.55	9.04	3.00	PA-6/66	Std.	Natural
04N.045.0103.A	4.50	10.36	1.57	PA-6/66	Std.	Natural
04N.046.0094.A	4.67	9.40	1.19	PA-6/66	Std.	Natural

NYLON



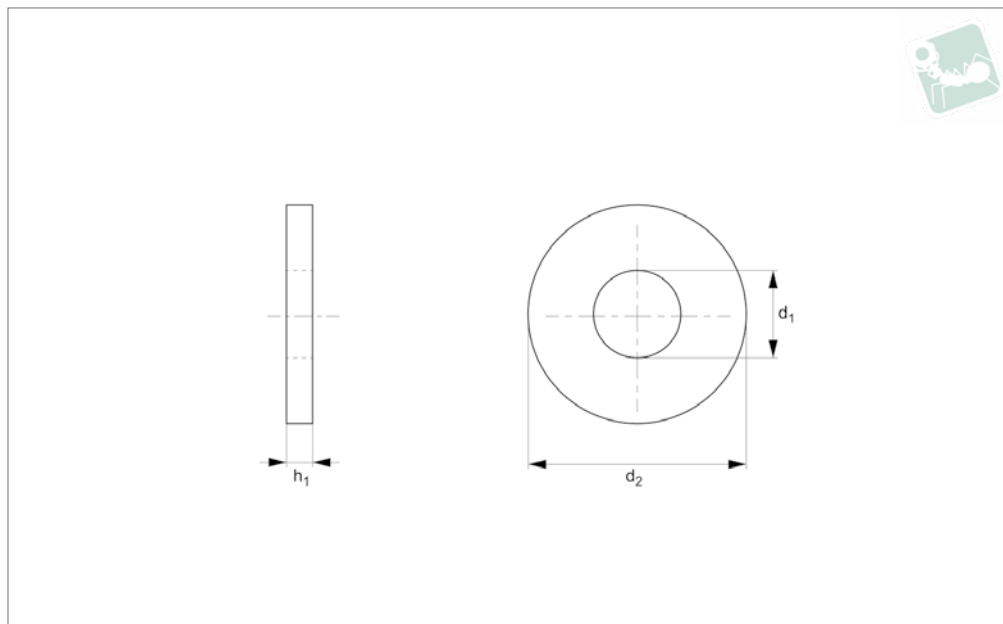
Order No.	d ₁	d ₂	h	Material	Grade	Finish
04N.046.0116.A	4.62	11.61	0.81	PA-6/66	Std.	Natural
04N.046.0159.A	4.62	15.90	1.14	PA-6/66	Std.	Natural
04N.047.0063.A	4.75	6.35	3.30	PA-6/66	Std.	Natural
04N.047.0065.A	4.75	6.50	1.14	PA-6/66	Std.	Natural
04N.047.0078.A	4.70	7.87	0.81	PA-6/66	Std.	Natural
04N.047.0079.A1	4.75	7.92	1.27	PA-6/66	Std.	Natural
04N.047.0079.A2	4.77	7.92	2.00	PA-6/66	Std.	Natural
04N.047.0079.A3	4.77	7.92	3.04	PA-6/66	Std.	Natural
04N.047.0079.B	4.75	7.92	1.27	PA-6/66	Std.	Black
04N.047.0096.A	4.75	9.65	3.94	PA-6/66	Std.	Natural
04N.047.0111.A	4.75	11.18	2.36	PA-6/66	Std.	Natural
04N.047.0127.A1	4.75	12.70	1.57	PA-6/66	Std.	Natural
04N.047.0127.A2	4.78	12.70	1.57	PA-6/66	Std.	Natural
04N.047.0128.A	4.78	12.83	0.81	PA-6/66	Std.	Natural
04N.047.0158.A	4.75	15.88	1.57	PA-6/66	Std.	Natural
04N.047.0190.A	4.75	19.05	3.96	PA-6/66	Std.	Natural
04N.047.0381.A	4.75	38.10	1.72	PA-6/66	Std.	Natural
04N.047.0508.A	4.74	50.80	1.52	PA-6/66	Std.	Natural
04N.048.0071.A	4.83	7.16	1.65	PA-6/66	Std.	Natural
04N.048.0078.A	4.83	7.87	0.81	PA-6/66	Std.	Natural
04N.048.0079.A1	4.80	7.92	14.32	PA-6/66	Std.	Natural
04N.048.0079.A2	4.88	7.92	2.34	PA-6/66	Std.	Natural
04N.048.0079.A3	4.88	7.92	2.79	PA-6/66	Std.	Natural
04N.048.0083.A	4.80	8.38	2.03	PA-6/66	Std.	Natural
04N.048.0085.A	4.83	8.51	0.81	PA-6/66	Std.	Natural
04N.048.0088.A	4.83	8.89	1.57	PA-6/66	Std.	Natural
04N.048.0094.A1	4.88	9.40	2.03	PA-6/66	Std.	Natural
04N.048.0094.A2	4.88	9.40	3.18	PA-6/66	Std.	Natural
04N.048.0095.A1	4.80	9.52	0.79	PA-6/66	Std.	Natural
04N.048.0095.A2	4.83	9.52	1.65	PA-6/66	Std.	Natural
04N.048.0095.A3	4.88	9.52	2.92	PA-6/66	Std.	Natural
04N.048.0103.A	4.88	10.31	1.57	PA-6/66	Std.	Natural
04N.048.0110.A	4.83	11.02	3.17	PA-6/66	Std.	Natural
04N.048.0190.A	4.85	19.05	2.54	PA-6/66	Std.	Natural
04N.048.0255.A1	4.80	25.52	1.63	PA-6/66	Std.	Natural
04N.048.0255.A2	4.80	25.55	1.02	PA-6/66	Std.	Natural
04N.049.0062.A1	4.95	6.22	1.57	PA-6/66	Std.	Natural
04N.049.0062.A2	4.95	6.22	3.18	PA-6/66	Std.	Natural
04N.049.0073.A1	4.95	7.37	2.16	PA-6/66	Std.	Natural
04N.049.0073.A2	4.97	7.36	0.76	PA-6/66	Std.	Natural
04N.049.0095.A1	4.93	9.53	0.81	PA-6/66	Std.	Natural
04N.049.0095.A2	4.93	9.53	1.58	PA-6/66	Std.	Natural
04N.049.0095.A3	4.93	9.53	2.36	PA-6/66	Std.	Natural
04N.049.0095.A4	4.93	9.53	3.18	PA-6/66	Std.	Natural
04N.049.0096.A1	4.90	9.60	1.93	PA-6/66	Std.	Natural
04N.049.0096.A2	4.95	9.60	2.79	PA-6/66	Std.	Natural
04N.049.0110.A	4.98	11.05	1.17	PA-6/66	Std.	Natural
04N.049.0111.A1	4.95	11.10	0.51	PA-6/66	Std.	Natural
04N.049.0111.A2	4.95	11.10	0.79	PA-6/66	Std.	Natural
04N.049.0111.A3	4.95	11.10	1.02	PA-6/66	Std.	Natural
04N.049.0111.A4	4.95	11.10	1.27	PA-6/66	Std.	Natural
04N.049.0111.A5	4.95	11.10	1.27	PA-6/66	Std.	Natural
04N.049.0129.A	4.90	12.95	1.27	PA-6/66	Std.	Natural
04N.049.0133.A	4.93	13.34	0.81	PA-6/66	Std.	Natural
04N.049.0158.A	4.93	15.88	3.18	PA-6/66	Std.	Natural
04N.049.0190.A	4.90	19.05	1.02	PA-6/66	Std.	Natural
04N.049.0254.A	4.93	25.40	4.06	PA-6/66	Std.	Natural



Plain Washer - I/D Ø 5-8mm

Plain

Nylon



N0400.04N.2

NYLON

Material
Nylon.

Technical Notes
Nylon plain washer

Order No.	d_1	d_2	h	Material	Grade	Finish
04N.050.0064.A	5.02	6.47	2.31	PA-6/66	Std.	Natural
04N.050.0071.A	5.08	7.11	2.36	PA-6/66	Std.	Natural
04N.050.0089.A	5.00	8.97	3.99	PA-6/66	Std.	Natural
04N.050.0095.A	5.00	9.52	1.27	PA-6/66	Std.	Natural
04N.050.0096.A	5.08	9.65	0.76	PA-6/66	Std.	Natural
04N.050.0099.A	5.08	9.91	0.79	PA-6/66	Std.	Natural
04N.050.0101.A	5.08	10.16	2.36	PA-6/66	Std.	Natural
04N.050.0111.A1	5.08	11.10	1.57	PA-6/66	Std.	Natural
04N.050.0111.A2	5.08	11.10	2.92	PA-6/66	Std.	Natural
04N.050.0111.A3	5.08	11.18	2.29	PA-6/66	Std.	Natural
04N.050.0114.A1	5.08	11.43	0.76	PA-6/66	Std.	Natural
04N.050.0114.A2	5.08	11.43	1.22	PA-6/66	Std.	Natural
04N.051.0110.A	5.13	11.05	4.75	PA-6/66	Std.	Natural
04N.051.0116.A	5.18	11.68	0.79	PA-6/66	Std.	Natural
04N.051.0143.A	5.16	14.35	1.57	PA-6/66	Std.	Natural
04N.051.0190.A	5.16	19.00	5.08	PA-6/66	Std.	Natural
04N.051.0253.A	5.11	25.30	5.08	PA-6/66	Std.	Natural
04N.051.0381.A	5.16	38.10	1.73	PA-6/66	Std.	Natural
04N.052.0068.A	5.26	6.86	1.27	PA-6/66	Std.	Natural
04N.052.0071.A	5.28	7.18	1.82	PA-6/66	Std.	Natural
04N.052.0127.A	5.21	12.70	3.18	PA-6/66	Std.	Natural
04N.053.0071.A	5.33	7.11	3.18	PA-6/66	Std.	Natural
04N.053.0078.A	5.33	7.80	3.18	PA-6/66	Std.	Natural
04N.053.0095.A1	5.33	9.52	3.86	PA-6/66	Std.	Natural
04N.053.0095.A2	5.33	9.52	4.06	PA-6/66	Std.	Natural
04N.053.0110.A	5.31	11.05	0.99	PA-6/66	Std.	Natural
04N.053.0119.A	5.31	11.99	2.74	PA-6/66	Std.	Natural
04N.053.0125.A	5.31	12.50	0.51	PA-6/66	Std.	Natural
04N.053.0125.B	5.31	12.50	0.51	PA-6/66	Std.	Black
04N.053.0157.A	5.31	15.75	4.57	PA-6/66	Std.	Natural
04N.053.0180.A	5.30	18.00	0.99	PA-6/66	Std.	Natural
04N.054.0079.A1	5.43	7.92	3.04	PA-6/66	Std.	Natural
04N.054.0079.A2	5.48	7.92	2.03	PA-6/66	Std.	Natural
04N.054.0079.A3	5.48	7.95	1.24	PA-6/66	Std.	Natural
04N.054.0088.A	5.48	8.86	2.31	PA-6/66	Std.	Natural



Order No.	d ₁	d ₂	h	Material	Grade	Finish
04N.054.0164.A	5.48	16.43	0.78	PA-6/66	Std.	Natural
04N.054.0188.A	5.46	18.80	2.41	PA-6/66	Std.	Natural
04N.054.0254.A	5.46	25.40	1.57	PA-6/66	Std.	Natural
04N.055.0074.A	5.59	7.49	3.23	PA-6/66	Std.	Natural
04N.055.0079.A	5.51	7.95	3.18	PA-6/66	Std.	Natural
04N.055.0087.A	5.54	8.76	0.81	PA-6/66	Std.	Natural
04N.055.0095.A1	5.54	9.52	0.81	PA-6/66	Std.	Natural
04N.055.0095.A2	5.59	9.50	1.57	PA-6/66	Std.	Natural
04N.055.0095.B	5.54	9.52	0.81	PA-6/66	Std.	Black
04N.055.0103.A	5.56	10.31	5.99	PA-6/66	Std.	Natural
04N.055.0111.A1	5.54	11.13	3.96	PA-6/66	Std.	Natural
04N.055.0111.A2	5.59	11.11	12.70	PA-6/66	Std.	Natural
04N.055.0111.A3	5.59	11.11	15.87	PA-6/66	Std.	Natural
04N.055.0111.A4	5.59	11.11	7.94	PA-6/66	Std.	Natural
04N.055.0127.A1	5.54	12.70	3.90	PA-6/66	Std.	Natural
04N.055.0127.A2	5.56	12.70	1.60	PA-6/66	Std.	Natural
04N.055.0127.A3	5.56	12.70	2.36	PA-6/66	Std.	Natural
04N.055.0158.A1	5.54	15.88	0.79	PA-6/66	Std.	Natural
04N.055.0158.A2	5.54	15.88	1.57	PA-6/66	Std.	Natural
04N.055.0158.A3	5.54	15.88	12.70	PA-6/66	Std.	Natural
04N.055.0158.A4	5.54	15.88	3.18	PA-6/66	Std.	Natural
04N.055.0158.A5	5.54	15.88	6.35	PA-6/66	Std.	Natural
04N.055.0170.A	5.51	17.02	1.27	PA-6/66	Std.	Natural
04N.055.0187.A	5.59	18.75	4.06	PA-6/66	Std.	Natural
04N.055.0188.A	5.59	18.80	3.05	PA-6/66	Std.	Natural
04N.055.0190.A	5.54	19.05	4.75	PA-6/66	Std.	Natural
04N.056.0088.A	5.64	8.84	2.06	PA-6/66	Std.	Natural
04N.056.0092.A	5.63	9.29	2.79	PA-6/66	Std.	Natural
04N.056.0095.A	5.61	9.58	2.41	PA-6/66	Std.	Natural
04N.057.0079.A	5.79	7.92	6.35	PA-6/66	Std.	Natural
04N.057.0092.A	5.76	9.27	1.70	PA-6/66	Std.	Natural
04N.057.0095.A1	5.71	9.52	2.26	PA-6/66	Std.	Natural
04N.057.0095.A2	5.77	9.52	1.65	PA-6/66	Std.	Natural
04N.057.0107.A	5.72	10.74	1.40	PA-6/66	Std.	Natural
04N.057.0114.A	5.72	11.43	1.22	PA-6/66	Std.	Natural
04N.057.0127.A	5.72	12.70	0.81	PA-6/66	Std.	Natural
04N.057.0317.A	5.74	31.75	3.18	PA-6/66	Std.	Natural
04N.057.0319.A	5.74	31.95	1.65	PA-6/66	Std.	Natural
04N.058.0105.A	5.82	10.54	2.59	PA-6/66	Std.	Natural
04N.058.0246.A	5.84	24.64	3.18	PA-6/66	Std.	Natural
04N.059.0103.A	5.94	10.31	1.57	PA-6/66	Std.	Natural
04N.059.0107.A	5.97	10.79	3.30	PA-6/66	Std.	Natural
04N.059.0400.A	5.99	40.01	3.02	PA-6/66	Std.	Natural
04N.060.0087.A	6.07	8.73	3.18	PA-6/66	Std.	Natural
04N.061.0088.A	6.10	8.89	1.02	PA-6/66	Std.	Natural
04N.061.0095.A	6.15	9.52	1.57	PA-6/66	Std.	Natural
04N.061.0110.A	6.12	11.05	2.39	PA-6/66	Std.	Natural
04N.061.0118.A	6.12	11.88	6.35	PA-6/66	Std.	Natural
04N.061.0180.A	6.10	18.00	3.00	PA-6/66	Std.	Natural
04N.062.0110.A	6.20	11.00	1.37	PA-6/66	Std.	Natural
04N.062.0175.A	6.20	17.50	5.99	PA-6/66	Std.	Natural
04N.062.0229.A	6.20	22.91	2.01	PA-6/66	Std.	Natural
04N.063.0095.A1	6.35	9.52	2.36	PA-6/66	Std.	Natural
04N.063.0095.A2	6.35	9.52	3.81	PA-6/66	Std.	Natural
04N.063.0098.A	6.37	9.88	3.17	PA-6/66	Std.	Natural
04N.063.0110.A	6.35	11.05	2.39	PA-6/66	Std.	Natural
04N.063.0111.A	6.35	11.18	0.38	PA-6/66	Std.	Natural
04N.063.0127.A	6.35	12.70	3.81	PA-6/66	Std.	Natural
04N.063.0142.A	6.35	14.27	0.79	PA-6/66	Std.	Natural
04N.063.0158.A1	6.35	15.88	1.57	PA-6/66	Std.	Natural
04N.063.0158.A2	6.35	15.88	4.83	PA-6/66	Std.	Natural
04N.063.0170.A	6.35	17.01	2.48	PA-6/66	Std.	Natural
04N.063.0182.A	6.35	18.26	1.57	PA-6/66	Std.	Natural
04N.063.0182.B	6.35	18.26	1.57	PA-6/66	Std.	Black
04N.063.0317.A1	6.35	31.75	1.57	PA-6/66	Std.	Natural
04N.063.0317.A2	6.35	31.75	6.48	PA-6/66	Std.	Natural
04N.063.0349.A1	6.35	34.93	19.05	PA-6/66	Std.	Natural
04N.063.0349.A2	6.35	34.93	7.63	PA-6/66	Std.	Natural
04N.063.0354.A	6.35	35.43	3.00	PA-6/66	Std.	Natural



Plain Washer - I/D Ø 5-8mm

Plain

Nylon

Order No.	d ₁	d ₂	h	Material	Grade	Finish
04N.064.0084.A	6.48	8.43	3.61	PA-6/66	Std.	Natural
04N.064.0085.A	6.47	8.50	3.81	PA-6/66	Std.	Natural
04N.064.0087.A	6.40	8.76	3.17	PA-6/66	Std.	Natural
04N.064.0095.A1	6.43	9.52	2.13	PA-6/66	Std.	Natural
04N.064.0095.A2	6.48	9.52	2.36	PA-6/66	Std.	Natural
04N.064.0097.A	6.48	9.70	4.95	PA-6/66	Std.	Natural
04N.064.0112.A	6.43	11.25	3.18	PA-6/66	Std.	Natural
04N.064.0112.B	6.43	11.25	3.18	PA-6/66	Std.	Black
04N.064.0119.A1	6.40	11.99	0.81	PA-6/66	Std.	Natural
04N.064.0119.A2	6.40	11.99	1.50	PA-6/66	Std.	Natural
04N.064.0123.A	6.40	12.34	1.75	PA-6/66	Std.	Natural
04N.064.0127.A	6.48	12.70	1.91	PA-6/66	Std.	Natural
04N.064.0141.A	6.48	14.10	1.19	PA-6/66	Std.	Natural
04N.064.0141.B	6.48	14.10	1.19	PA-6/66	Std.	Black
04N.064.0143.A	6.45	14.35	2.39	PA-6/66	Std.	Natural
04N.064.0144.A	6.43	14.43	2.36	PA-6/66	Std.	Natural
04N.064.0158.A	6.40	15.80	1.52	PA-6/66	Std.	Natural
04N.064.0228.A	6.48	22.86	3.18	PA-6/66	Std.	Natural
04N.064.0254.A	6.45	25.40	8.26	PA-6/66	Std.	Natural
04N.065.0101.A	6.50	10.16	5.28	PA-6/66	Std.	Natural
04N.065.0127.A1	6.53	12.70	0.81	PA-6/66	Std.	Natural
04N.065.0127.A2	6.53	12.70	1.58	PA-6/66	Std.	Natural
04N.065.0127.A3	6.53	12.70	2.36	PA-6/66	Std.	Natural
04N.065.0127.A4	6.53	12.70	3.18	PA-6/66	Std.	Natural
04N.065.0127.B1	6.53	12.70	0.81	PA-6/66	Std.	Black
04N.065.0127.B2	6.53	12.70	1.58	PA-6/66	Std.	Black
04N.065.0127.B3	6.53	12.70	2.36	PA-6/66	Std.	Black
04N.065.0127.B4	6.53	12.70	3.18	PA-6/66	Std.	Black
04N.065.0142.A	6.50	14.27	6.35	PA-6/66	Std.	Natural
04N.065.0150.A	6.50	15.01	2.21	PA-6/66	Std.	Natural
04N.065.0158.A1	6.52	15.87	2.54	PA-6/66	Std.	Natural
04N.065.0158.A2	6.53	15.88	0.51	PA-6/66	Std.	Natural
04N.065.0190.A1	6.53	19.05	0.76	PA-6/66	Std.	Natural
04N.065.0190.A2	6.53	19.05	1.57	PA-6/66	Std.	Natural
04N.065.0190.A3	6.53	19.05	2.77	PA-6/66	Std.	Natural
04N.065.0222.A1	6.53	22.23	0.79	PA-6/66	Std.	Natural
04N.065.0222.A2	6.53	22.23	1.57	PA-6/66	Std.	Natural
04N.065.0222.B	6.53	22.23	0.79	PA-6/66	Std.	Black
04N.065.0317.A	6.53	31.75	6.48	PA-6/66	Std.	Natural
04N.066.0079.A1	6.60	7.92	1.78	PA-6/66	Std.	Natural
04N.066.0079.A2	6.60	7.92	2.77	PA-6/66	Std.	Natural
04N.066.0079.A3	6.65	7.92	3.23	PA-6/66	Std.	Natural
04N.066.0088.A	6.60	8.89	1.57	PA-6/66	Std.	Natural
04N.066.0110.A	6.65	11.00	3.20	PA-6/66	Std.	Natural
04N.066.0111.A	6.60	11.10	1.19	PA-6/66	Std.	Natural
04N.066.0124.A	6.60	12.45	6.22	PA-6/66	Std.	Natural
04N.066.0127.A	6.65	12.70	3.81	PA-6/66	Std.	Natural
04N.066.0142.A1	6.60	14.22	3.18	PA-6/66	Std.	Natural
04N.066.0142.A2	6.60	14.27	1.57	PA-6/66	Std.	Natural
04N.066.0142.A3	6.60	14.27	2.87	PA-6/66	Std.	Natural
04N.066.0142.B1	6.60	14.22	3.18	PA-6/66	Std.	Black
04N.066.0142.B2	6.60	14.27	1.57	PA-6/66	Std.	Black
04N.066.0156.A	6.60	15.62	2.54	PA-6/66	Std.	Natural
04N.066.0158.A1	6.60	15.87	0.78	PA-6/66	Std.	Natural
04N.066.0158.A2	6.60	15.87	1.52	PA-6/66	Std.	Natural
04N.066.0158.A3	6.60	15.88	3.56	PA-6/66	Std.	Natural
04N.066.0158.A4	6.60	15.88	4.57	PA-6/66	Std.	Natural
04N.066.0174.A1	6.60	17.40	0.81	PA-6/66	Std.	Natural
04N.066.0174.A2	6.60	17.45	0.51	PA-6/66	Std.	Natural
04N.066.0174.A3	6.60	17.45	1.02	PA-6/66	Std.	Natural
04N.066.0174.A4	6.60	17.45	1.27	PA-6/66	Std.	Natural
04N.066.0174.A5	6.60	17.45	1.52	PA-6/66	Std.	Natural
04N.066.0174.A6	6.60	17.45	3.18	PA-6/66	Std.	Natural
04N.066.0189.A1	6.60	18.92	1.68	PA-6/66	Std.	Natural
04N.066.0189.A2	6.60	18.92	3.18	PA-6/66	Std.	Natural
04N.066.0189.B	6.60	18.92	3.18	PA-6/66	Std.	Black
04N.066.0190.A	6.63	19.05	2.41	PA-6/66	Std.	Natural
04N.066.0190.B	6.63	19.05	2.41	PA-6/66	Std.	Black
04N.066.0317.A	6.60	31.75	1.52	PA-6/66	Std.	Natural

NYLON



Order No.	d ₁	d ₂	h	Material	Grade	Finish
04N.067.0102.A	6.73	10.29	3.18	PA-6/66	Std.	Natural
04N.067.0103.A	6.76	10.31	2.03	PA-6/66	Std.	Natural
04N.067.0134.A	6.73	13.49	1.57	PA-6/66	Std.	Natural
04N.067.0142.A1	6.73	14.22	0.76	PA-6/66	Std.	Natural
04N.067.0142.A2	6.73	14.27	4.75	PA-6/66	Std.	Natural
04N.067.0150.A	6.73	15.01	2.56	PA-6/66	Std.	Natural
04N.067.0157.A	6.73	15.75	4.89	PA-6/66	Std.	Natural
04N.067.0157.B	6.73	15.75	4.89	PA-6/66	Std.	Black
04N.067.0158.A	6.73	15.88	2.36	PA-6/66	Std.	Natural
04N.067.0185.A	6.76	18.57	3.00	PA-6/66	Std.	Natural
04N.067.0190.A	6.76	19.05	3.94	PA-6/66	Std.	Natural
04N.067.0222.A	6.73	22.23	2.36	PA-6/66	Std.	Natural
04N.067.0222.B	6.73	22.23	2.36	PA-6/66	Std.	Black
04N.067.0254.A1	6.71	25.40	1.78	PA-6/66	Std.	Natural
04N.067.0254.A2	6.73	25.40	6.65	PA-6/66	Std.	Natural
04N.067.0254.A3	6.74	25.40	7.94	PA-6/66	Std.	Natural
04N.067.0381.A	6.73	38.10	9.53	PA-6/66	Std.	Natural
04N.068.0157.A	6.86	15.70	5.59	PA-6/66	Std.	Natural
04N.068.0317.A	6.86	31.75	2.03	PA-6/66	Std.	Natural
04N.069.0105.A	6.91	10.57	3.05	PA-6/66	Std.	Natural
04N.069.0110.A	6.99	11.00	1.91	PA-6/66	Std.	Natural
04N.069.0136.A	6.91	13.67	1.19	PA-6/66	Std.	Natural
04N.069.0190.A	6.96	19.05	6.35	PA-6/66	Std.	Natural
04N.069.0546.A	6.99	54.61	3.18	PA-6/66	Std.	Natural
04N.070.0110.A	7.01	11.00	1.37	PA-6/66	Std.	Natural
04N.070.0120.A	7.01	12.01	1.37	PA-6/66	Std.	Natural
04N.070.0199.A1	7.01	19.98	5.00	PA-6/66	Std.	Natural
04N.070.0199.A2	7.08	19.98	3.50	PA-6/66	Std.	Natural
04N.071.0085.A	7.11	8.51	4.95	PA-6/66	Std.	Natural
04N.071.0115.A	7.11	11.51	0.76	PA-6/66	Std.	Natural
04N.071.0124.A	7.14	12.45	0.76	PA-6/66	Std.	Natural
04N.071.0158.A1	7.14	15.87	5.33	PA-6/66	Std.	Natural
04N.071.0158.A2	7.14	15.88	2.79	PA-6/66	Std.	Natural
04N.071.0160.A	7.11	16.00	0.76	PA-6/66	Std.	Natural
04N.071.0162.A	7.19	16.20	1.96	PA-6/66	Std.	Natural
04N.071.0174.A	7.11	17.45	0.79	PA-6/66	Std.	Natural
04N.071.0182.A	7.14	18.26	1.57	PA-6/66	Std.	Natural
04N.071.0191.A	7.16	19.13	3.12	PA-6/66	Std.	Natural
04N.071.0317.A	7.14	31.75	1.60	PA-6/66	Std.	Natural
04N.072.0125.A	7.29	12.50	5.00	PA-6/66	Std.	Natural
04N.072.0158.A	7.21	15.88	1.57	PA-6/66	Std.	Natural
04N.073.0103.A	7.39	10.31	5.16	PA-6/66	Std.	Natural
04N.073.0106.A	7.39	10.69	2.29	PA-6/66	Std.	Natural
04N.073.0113.A	7.37	11.30	0.84	PA-6/66	Std.	Natural
04N.073.0142.A	7.37	14.22	1.57	PA-6/66	Std.	Natural
04N.074.0158.A	7.42	15.88	1.02	PA-6/66	Std.	Natural
04N.074.0174.A	7.49	17.40	1.57	PA-6/66	Std.	Natural
04N.075.0110.A	7.52	11.07	3.96	PA-6/66	Std.	Natural
04N.075.0146.A	7.59	14.61	0.99	PA-6/66	Std.	Natural
04N.075.0190.A	7.52	19.05	0.81	PA-6/66	Std.	Natural
04N.075.0254.A	7.54	25.40	1.60	PA-6/66	Std.	Natural
04N.076.0158.A	7.64	15.87	0.99	PA-6/66	Std.	Natural
04N.076.0190.A	7.62	19.05	3.17	PA-6/66	Std.	Natural
04N.076.0248.A	7.65	24.80	3.18	PA-6/66	Std.	Natural
04N.078.0112.A	7.87	11.23	4.32	PA-6/66	Std.	Natural
04N.078.0125.A	7.87	12.57	2.41	PA-6/66	Std.	Natural
04N.078.0146.A	7.80	14.68	3.18	PA-6/66	Std.	Natural
04N.078.0190.A1	7.87	19.05	4.32	PA-6/66	Std.	Natural
04N.078.0190.A2	7.87	19.05	9.53	PA-6/66	Std.	Natural
04N.078.0298.A	7.87	29.85	3.18	PA-6/66	Std.	Natural
04N.078.0317.A	7.87	31.75	3.05	PA-6/66	Std.	Natural
04N.079.0095.A	7.92	9.52	3.17	PA-6/66	Std.	Natural
04N.079.0127.A1	7.92	12.70	2.44	PA-6/66	Std.	Natural
04N.079.0127.A2	7.92	12.70	3.18	PA-6/66	Std.	Natural
04N.079.0127.A3	7.92	12.70	3.96	PA-6/66	Std.	Natural
04N.079.0127.B	7.92	12.70	3.18	PA-6/66	Std.	Black
04N.079.0142.A	7.92	14.27	0.79	PA-6/66	Std.	Natural
04N.079.0158.A	7.92	15.88	6.35	PA-6/66	Std.	Natural
04N.079.0180.A1	7.92	18.08	2.06	PA-6/66	Std.	Natural



Plain Washer - I/D Ø 5-8mm

Plain

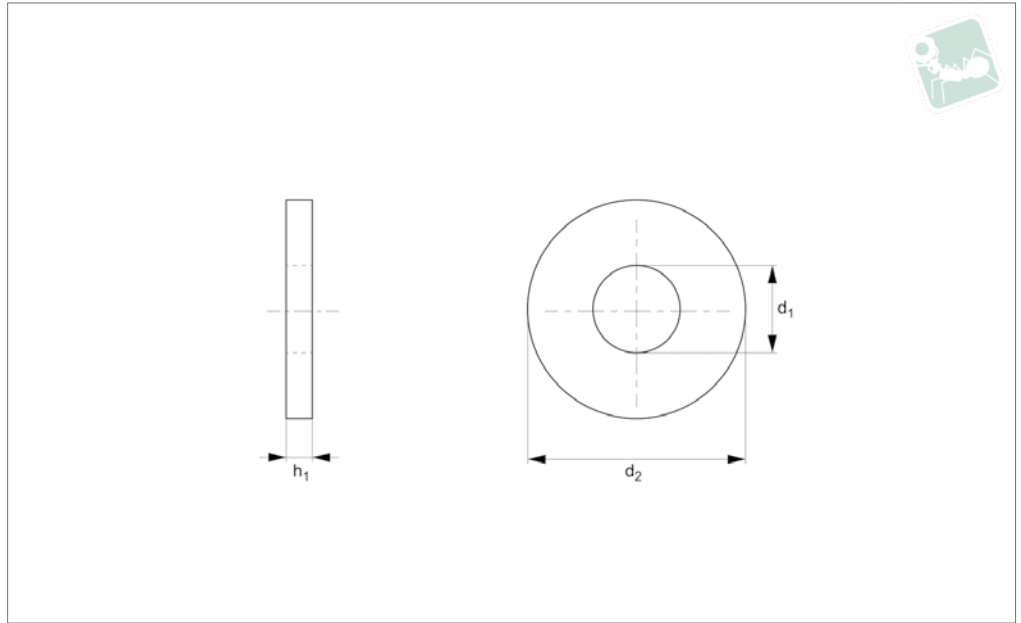
Nylon

Order No.	d ₁	d ₂	h	Material	Grade	Finish
04N.079.0180.A2	7.95	18.03	1.27	PA-6/66	Std.	Natural
04N.079.0190.A	7.95	19.05	1.25	PA-6/66	Std.	Natural
04N.079.0206.A1	7.92	20.62	1.57	PA-6/66	Std.	Natural
04N.079.0206.A2	7.92	20.62	3.18	PA-6/66	Std.	Natural
04N.079.0217.A	7.92	21.72	3.18	PA-6/66	Std.	Natural
04N.079.0222.A1	7.92	22.23	3.18	PA-6/66	Std.	Natural
04N.079.0222.A2	7.92	22.23	4.75	PA-6/66	Std.	Natural
04N.079.0254.A1	7.92	25.40	0.81	PA-6/66	Std.	Natural
04N.079.0254.A2	7.94	25.40	4.76	PA-6/66	Std.	Natural
04N.079.0381.A	7.94	38.10	1.59	PA-6/66	Std.	Natural

NYLON



N0400.04N.3



Material
Nylon.

Technical Notes
Nylon plain washer

Order No.	d ₁	d ₂	h	Material	Grade	Finish
04N.080.0103.A	8.07	10.31	1.93	PA-6/66	Std.	Natural
04N.080.0111.A	8.08	11.18	0.79	PA-6/66	Std.	Natural
04N.080.0119.A	8.00	11.98	0.99	PA-6/66	Std.	Natural
04N.080.0127.A1	8.05	12.70	0.81	PA-6/66	Std.	Natural
04N.080.0127.A2	8.05	12.70	0.81	PA-6/66	Std.	Natural
04N.080.0127.A3	8.05	12.70	1.58	PA-6/66	Std.	Natural
04N.080.0127.A4	8.05	12.70	2.33	PA-6/66	Std.	Natural
04N.080.0127.A5	8.05	12.70	2.36	PA-6/66	Std.	Natural
04N.080.0127.A6	8.05	12.70	3.18	PA-6/66	Std.	Natural
04N.080.0127.B	8.05	12.70	0.81	PA-6/66	Std.	Black
04N.080.0134.A	8.00	13.49	0.79	PA-6/66	Std.	Natural
04N.080.0142.A	8.00	14.22	1.57	PA-6/66	Std.	Natural
04N.080.0143.A1	8.02	14.30	0.88	PA-6/66	Std.	Natural
04N.080.0143.A2	8.05	14.35	2.41	PA-6/66	Std.	Natural
04N.080.0158.A	8.00	15.88	0.79	PA-6/66	Std.	Natural
04N.080.0158.B	8.00	15.88	0.79	PA-6/66	Std.	Black
04N.080.0172.A	8.08	17.27	4.75	PA-6/66	Std.	Natural
04N.080.0174.A	8.08	17.48	4.83	PA-6/66	Std.	Natural
04N.080.0190.A1	8.00	19.05	5.08	PA-6/66	Std.	Natural
04N.080.0190.A2	8.05	19.05	1.02	PA-6/66	Std.	Natural
04N.080.0190.A3	8.05	19.05	1.57	PA-6/66	Std.	Natural
04N.080.0190.A4	8.07	19.07	3.17	PA-6/66	Std.	Natural
04N.080.0190.B	8.05	19.05	1.57	PA-6/66	Std.	Black
04N.080.0191.A	8.08	19.18	2.54	PA-6/66	Std.	Natural
04N.080.0221.A	8.00	22.15	1.57	PA-6/66	Std.	Natural
04N.080.0221.B	8.00	22.15	1.57	PA-6/66	Std.	Black
04N.080.0226.A1	8.00	22.61	5.46	PA-6/66	Std.	Natural
04N.080.0226.A2	8.05	22.61	6.22	PA-6/66	Std.	Natural
04N.080.0284.A	8.03	28.47	0.87	PA-6/66	Std.	Natural
04N.080.0509.A	8.00	50.98	5.00	PA-6/66	Std.	Natural
04N.081.0094.A	8.13	9.40	2.36	PA-6/66	Std.	Natural
04N.081.0126.A	8.15	12.62	1.52	PA-6/66	Std.	Natural
04N.081.0127.A1	8.13	12.70	4.32	PA-6/66	Std.	Natural
04N.081.0127.A2	8.13	12.70	5.08	PA-6/66	Std.	Natural
04N.081.0127.A3	8.13	12.70	6.35	PA-6/66	Std.	Natural



Plain Washer

Plain

Nylon

Order No.	d ₁	d ₂	h	Material	Grade	Finish
04N.081.0127.A4	8.13	12.70	7.14	PA-6/66	Std.	Natural
04N.081.0142.A1	8.13	14.22	4.75	PA-6/66	Std.	Natural
04N.081.0142.A2	8.13	14.27	0.51	PA-6/66	Std.	Natural
04N.081.0142.A3	8.13	14.27	3.18	PA-6/66	Std.	Natural
04N.081.0142.B	8.13	14.22	4.75	PA-6/66	Std.	Black
04N.081.0158.A1	8.12	15.87	3.17	PA-6/66	Std.	Natural
04N.081.0158.A2	8.15	15.88	3.18	PA-6/66	Std.	Natural
04N.081.0158.B	8.15	15.88	3.18	PA-6/66	Std.	Black
04N.081.0190.A	8.13	19.05	6.35	PA-6/66	Std.	Natural
04N.081.0254.A	8.13	25.40	9.53	PA-6/66	Std.	Natural
04N.081.0285.A	8.13	28.58	1.57	PA-6/66	Std.	Natural
04N.082.0111.A	8.25	11.17	1.52	PA-6/66	Std.	Natural
04N.082.0169.A	8.20	16.99	0.99	PA-6/66	Std.	Natural
04N.082.0190.A	8.20	19.05	3.18	PA-6/66	Std.	Natural
04N.082.0190.B	8.20	19.05	3.18	PA-6/66	Std.	Black
04N.082.0254.A	8.28	25.40	3.18	PA-6/66	Std.	Natural
04N.082.0303.A	8.25	30.35	2.03	PA-6/66	Std.	Natural
04N.083.0099.A	8.33	9.91	2.01	PA-6/66	Std.	Natural
04N.083.0118.A	8.38	11.81	0.79	PA-6/66	Std.	Natural
04N.083.0142.A	8.33	14.27	2.41	PA-6/66	Std.	Natural
04N.083.0142.B	8.33	14.27	2.41	PA-6/66	Std.	Black
04N.083.0149.A	8.33	14.99	3.73	PA-6/66	Std.	Natural
04N.083.0158.A	8.38	15.88	1.63	PA-6/66	Std.	Natural
04N.083.0160.A	8.31	16.00	1.80	PA-6/66	Std.	Natural
04N.083.0190.A1	8.33	19.05	0.81	PA-6/66	Std.	Natural
04N.083.0190.A2	8.38	19.05	1.57	PA-6/66	Std.	Natural
04N.083.0223.A	8.31	22.35	1.52	PA-6/66	Std.	Natural
04N.083.0349.A	8.32	34.93	3.18	PA-6/66	Std.	Natural
04N.084.0130.A	8.45	13.03	2.00	PA-6/66	Std.	Natural
04N.084.0239.A	8.41	23.98	2.49	PA-6/66	Std.	Natural
04N.084.0254.A	8.46	25.40	9.78	PA-6/66	Std.	Natural
04N.085.0173.A	8.56	17.35	1.60	PA-6/66	Std.	Natural
04N.085.0180.A	8.53	18.01	2.01	PA-6/66	Std.	Natural
04N.085.0180.B	8.53	18.01	2.01	PA-6/66	Std.	Black
04N.085.0190.A	8.51	19.05	6.35	PA-6/66	Std.	Natural
04N.085.0251.A	8.56	25.15	7.42	PA-6/66	Std.	Natural
04N.085.0381.A	8.51	38.10	3.18	PA-6/66	Std.	Natural
04N.086.0156.A	8.64	15.62	3.18	PA-6/66	Std.	Natural
04N.086.0188.A	8.64	18.80	1.57	PA-6/66	Std.	Natural
04N.086.0219.A	8.64	21.97	4.75	PA-6/66	Std.	Natural
04N.086.0254.A	8.61	25.40	3.91	PA-6/66	Std.	Natural
04N.086.0320.A	8.64	32.00	6.35	PA-6/66	Std.	Natural
04N.087.0111.A	8.74	11.10	1.57	PA-6/66	Std.	Natural
04N.087.0127.A	8.71	12.70	2.77	PA-6/66	Std.	Natural
04N.087.0174.A1	8.71	17.45	0.79	PA-6/66	Std.	Natural
04N.087.0174.A2	8.79	17.45	1.63	PA-6/66	Std.	Natural
04N.087.0224.A	8.71	22.48	1.57	PA-6/66	Std.	Natural
04N.087.0248.A	8.71	24.89	1.65	PA-6/66	Std.	Natural
04N.088.0114.A	8.86	11.48	1.91	PA-6/66	Std.	Natural
04N.088.0119.A	8.89	11.99	2.79	PA-6/66	Std.	Natural
04N.088.0157.A	8.89	15.75	4.78	PA-6/66	Std.	Natural
04N.089.0190.A	8.94	19.05	0.79	PA-6/66	Std.	Natural
04N.090.0160.A	9.02	16.00	1.02	PA-6/66	Std.	Natural
04N.090.0240.A	9.00	24.00	4.00	PA-6/66	Std.	Natural
04N.091.0186.A	9.14	18.67	4.06	PA-6/66	Std.	Natural
04N.091.0186.B	9.14	18.67	4.06	PA-6/66	Std.	Black
04N.091.0249.A	9.14	24.97	3.05	PA-6/66	Std.	Natural
04N.092.0141.A	9.22	14.10	1.57	PA-6/66	Std.	Natural
04N.092.0313.A	9.27	31.37	2.79	PA-6/66	Std.	Natural
04N.092.0313.B	9.27	31.37	2.79	PA-6/66	Std.	Black
04N.094.0131.A	9.40	13.16	0.97	PA-6/66	Std.	Natural
04N.094.0142.A	9.47	14.22	0.79	PA-6/66	Std.	Natural
04N.094.0317.A	9.40	31.75	6.35	PA-6/66	Std.	Natural
04N.095.0115.A	9.52	11.51	1.57	PA-6/66	Std.	Natural
04N.095.0124.A	9.53	12.45	2.21	PA-6/66	Std.	Natural
04N.095.0127.A1	9.53	12.70	0.81	PA-6/66	Std.	Natural
04N.095.0127.A2	9.53	12.70	2.21	PA-6/66	Std.	Natural
04N.095.0128.A	9.53	12.83	1.27	PA-6/66	Std.	Natural
04N.095.0134.A	9.53	13.46	2.36	PA-6/66	Std.	Natural

NYLON



Order No.	d ₁	d ₂	h	Material	Grade	Finish
04N.095.0150.A	9.50	15.01	3.00	PA-6/66	Std.	Natural
04N.095.0158.A	9.53	15.88	0.81	PA-6/66	Std.	Natural
04N.095.0158.B	9.53	15.88	0.81	PA-6/66	Std.	Black
04N.095.0190.A1	9.53	19.05	1.57	PA-6/66	Std.	Natural
04N.095.0190.A2	9.53	19.05	3.18	PA-6/66	Std.	Natural
04N.095.0190.A3	9.53	19.05	6.35	PA-6/66	Std.	Natural
04N.095.0209.A	9.53	20.96	2.54	PA-6/66	Std.	Natural
04N.095.0222.A	9.58	22.23	1.57	PA-6/66	Std.	Natural
04N.095.0228.A	9.53	22.86	1.40	PA-6/66	Std.	Natural
04N.095.0254.A1	9.52	25.40	3.17	PA-6/66	Std.	Natural
04N.095.0254.A2	9.53	25.40	1.57	PA-6/66	Std.	Natural
04N.095.0254.A3	9.53	25.40	7.49	PA-6/66	Std.	Natural
04N.095.0254.A4	9.53	25.40	7.92	PA-6/66	Std.	Natural
04N.095.0297.A	9.58	29.72	3.18	PA-6/66	Std.	Natural
04N.095.0381.A	9.53	38.10	9.53	PA-6/66	Std.	Natural
04N.095.0952.A	9.53	95.25	1.57	PA-6/66	Std.	Natural
04N.096.0140.A	9.60	14.00	1.60	PA-6/66	Std.	Natural
04N.096.0144.A	9.65	14.47	0.76	PA-6/66	Std.	Natural
04N.096.0156.A	9.65	15.62	3.10	PA-6/66	Std.	Natural
04N.096.0158.A1	9.65	15.87	1.27	PA-6/66	Std.	Natural
04N.096.0158.A2	9.65	15.88	1.58	PA-6/66	Std.	Natural
04N.096.0158.A3	9.65	15.88	2.36	PA-6/66	Std.	Natural
04N.096.0158.A4	9.65	15.88	3.18	PA-6/66	Std.	Natural
04N.096.0190.A	9.65	19.05	4.75	PA-6/66	Std.	Natural
04N.096.0222.A	9.65	22.23	2.36	PA-6/66	Std.	Natural
04N.096.0236.A	9.68	23.67	0.79	PA-6/66	Std.	Natural
04N.096.0238.A	9.65	23.81	1.57	PA-6/66	Std.	Natural
04N.096.0317.A	9.66	31.75	3.18	PA-6/66	Std.	Natural
04N.097.0127.A	9.78	12.70	4.06	PA-6/66	Std.	Natural
04N.097.0137.A	9.70	13.72	2.44	PA-6/66	Std.	Natural
04N.097.0158.A	9.78	15.88	4.70	PA-6/66	Std.	Natural
04N.097.0187.A	9.70	18.75	4.06	PA-6/66	Std.	Natural
04N.097.0190.A1	9.70	19.05	1.68	PA-6/66	Std.	Natural
04N.097.0190.A2	9.78	19.05	0.63	PA-6/66	Std.	Natural
04N.097.0190.A3	9.78	19.05	1.14	PA-6/66	Std.	Natural
04N.097.0190.A4	9.78	19.05	5.08	PA-6/66	Std.	Natural
04N.097.0224.A	9.78	22.48	1.57	PA-6/66	Std.	Natural
04N.097.0228.A	9.78	22.86	3.18	PA-6/66	Std.	Natural
04N.098.0137.A	9.86	13.77	5.59	PA-6/66	Std.	Natural
04N.098.0139.A	9.80	13.97	1.52	PA-6/66	Std.	Natural
04N.098.0176.A	9.85	17.65	1.50	PA-6/66	Std.	Natural
04N.098.0191.A	9.88	19.15	1.91	PA-6/66	Std.	Natural
04N.098.0206.A	9.80	20.62	4.75	PA-6/66	Std.	Natural
04N.099.0158.A	9.91	15.88	6.73	PA-6/66	Std.	Natural
04N.099.0172.A	9.91	17.27	3.18	PA-6/66	Std.	Natural
04N.099.0174.A	9.91	17.48	0.79	PA-6/66	Std.	Natural
04N.099.0182A	9.91	18.29	7.62	PA-6/66	Std.	Natural
04N.099.0190.A1	9.91	19.05	1.27	PA-6/66	Std.	Natural
04N.099.0190.A2	9.91	19.05	1.57	PA-6/66	Std.	Natural
04N.099.0190.A3	9.91	19.05	3.56	PA-6/66	Std.	Natural
04N.099.0222.A	9.91	22.23	2.36	PA-6/66	Std.	Natural
04N.099.0223.A	9.91	22.35	1.57	PA-6/66	Std.	Natural
04N.099.0224.A	9.91	22.48	2.39	PA-6/66	Std.	Natural
04N.099.0254.A1	9.91	25.40	2.38	PA-6/66	Std.	Natural
04N.099.0254.A2	9.91	25.40	4.45	PA-6/66	Std.	Natural
04N.099.0254.A3	9.91	25.40	6.35	PA-6/66	Std.	Natural
04N.099.0254.A4	9.93	25.40	3.81	PA-6/66	Std.	Natural
04N.099.0284.A	9.91	28.45	3.18	PA-6/66	Std.	Natural
04N.099.0317.A	9.90	31.75	2.08	PA-6/66	Std.	Natural
04N.099.0321.A1	9.90	32.13	3.96	PA-6/66	Std.	Natural
04N.099.0321.A2	9.91	32.18	1.14	PA-6/66	Std.	Natural
04N.099.0381.A	9.91	38.10	1.52	PA-6/66	Std.	Natural
04N.099.0508.A	9.91	50.80	1.57	PA-6/66	Std.	Natural
04N.100.0146.A	10.03	14.68	1.57	PA-6/66	Std.	Natural
04N.100.0151.A	10.03	15.19	4.45	PA-6/66	Std.	Natural
04N.100.0160.A	10.00	16.00	2.00	PA-6/66	Std.	Natural
04N.100.0190.A	10.03	19.00	2.36	PA-6/66	Std.	Natural
04N.100.0191.A	10.01	19.15	6.48	PA-6/66	Std.	Natural
04N.100.0192.A	10.01	19.23	3.18	PA-6/66	Std.	Natural



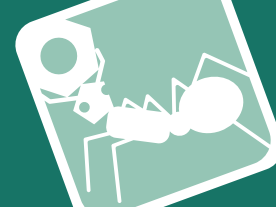
Plain Washer

Plain

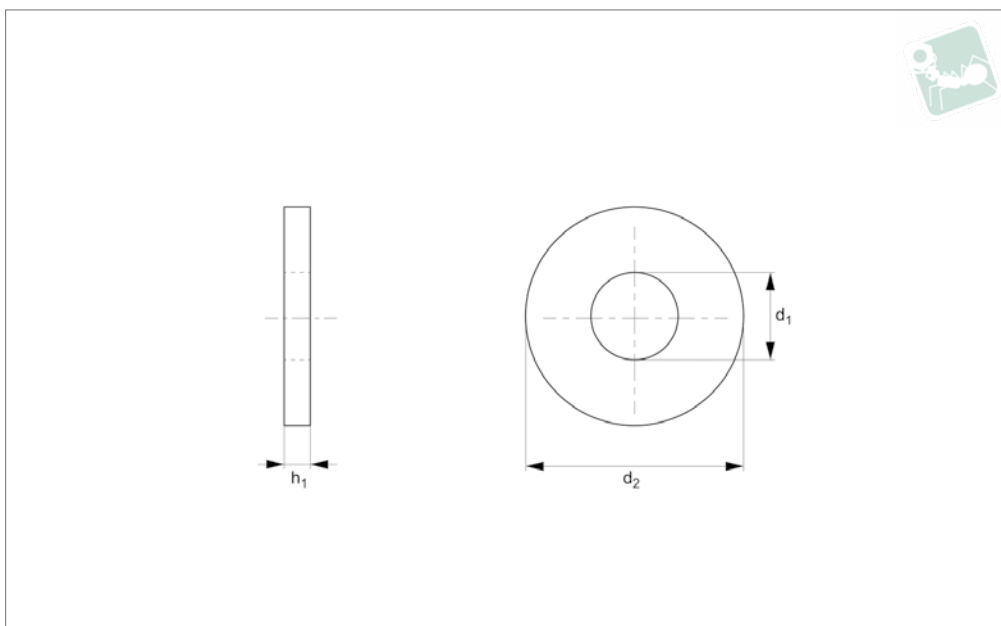
Nylon

Order No.	d ₁	d ₂	h	Material	Grade	Finish
04N.100.0199.A	10.01	19.94	2.03	PA-6/66	Std.	Natural
04N.100.0218.A	10.08	21.84	4.19	PA-6/66	Std.	Natural
04N.101.0190.A	10.16	19.00	2.26	PA-6/66	Std.	Natural
04N.101.0226.A	10.16	22.60	1.60	PA-6/66	Std.	Natural
04N.101.0323.A	10.16	32.36	1.57	PA-6/66	Std.	Natural
04N.102.0130.A	10.29	13.00	1.37	PA-6/66	Std.	Natural
04N.102.0137.A1	10.26	13.77	2.46	PA-6/66	Std.	Natural
04N.102.0137.A2	10.26	13.77	2.79	PA-6/66	Std.	Natural
04N.102.0137.A3	10.29	13.72	2.03	PA-6/66	Std.	Natural
04N.102.0137.A4	10.29	13.72	2.84	PA-6/66	Std.	Natural
04N.102.0190.A	10.24	19.00	1.50	PA-6/66	Std.	Natural
04N.102.0205.A	10.21	20.50	1.65	PA-6/66	Std.	Natural
04N.102.0345.A	10.28	34.56	2.08	PA-6/66	Std.	Natural
04N.103.0130.A	10.31	13.00	2.26	PA-6/66	Std.	Natural
04N.103.0156.A	10.31	15.62	1.07	PA-6/66	Std.	Natural
04N.103.0158.A	10.31	15.88	3.05	PA-6/66	Std.	Natural
04N.103.0190.A1	10.31	19.05	0.81	PA-6/66	Std.	Natural
04N.103.0190.A2	10.31	19.05	1.52	PA-6/66	Std.	Natural
04N.103.0190.A3	10.31	19.05	5.08	PA-6/66	Std.	Natural
04N.103.0199.A	10.39	19.98	5.99	PA-6/66	Std.	Natural
04N.103.0222.A	10.36	22.23	1.52	PA-6/66	Std.	Natural
04N.103.0249.A	10.31	24.99	3.18	PA-6/66	Std.	Natural
04N.103.0254.A	10.31	25.40	1.57	PA-6/66	Std.	Natural
04N.103.0255.A	10.31	25.53	2.03	PA-6/66	Std.	Natural
04N.103.0268.A	10.31	26.80	6.35	PA-6/66	Std.	Natural
04N.104.0158.A	10.41	15.88	0.83	PA-6/66	Std.	Natural
04N.104.0158.B	10.41	15.88	0.83	PA-6/66	Std.	Black
04N.104.0199.A	10.49	19.98	2.00	PA-6/66	Std.	Natural
04N.104.0219.A	10.49	21.97	2.49	PA-6/66	Std.	Natural
04N.104.0256.A	10.41	25.65	2.54	PA-6/66	Std.	Natural
04N.104.0300.A	10.49	30.00	2.49	PA-6/66	Std.	Natural
04N.105.0141.A	10.54	14.10	1.52	PA-6/66	Std.	Natural
04N.105.0252.A	10.57	25.27	1.52	PA-6/66	Std.	Natural
04N.106.0174.A1	10.69	17.45	0.79	PA-6/66	Std.	Natural
04N.106.0174.A2	10.69	17.45	1.57	PA-6/66	Std.	Natural
04N.106.0174.B	10.69	17.45	0.79	PA-6/66	Std.	Black
04N.106.0204.A	10.62	20.45	1.57	PA-6/66	Std.	Natural
04N.107.0152.A	10.74	15.24	0.81	PA-6/66	Std.	Natural
04N.107.0158.A	10.72	15.88	5.16	PA-6/66	Std.	Natural
04N.109.0166.A	10.99	16.66	2.15	PA-6/66	Std.	Natural

NYLON



N0400.04N.4



Material
Nylon.

Technical Notes
Nylon plain washer

Order No.	d ₁	d ₂	h	Material	Grade	Finish
04N.110.0174.A1	11.02	17.48	3.17	PA-6/66	Std.	Natural
04N.110.0174.A2	11.09	17.44	2.54	PA-6/66	Std.	Natural
04N.110.0205.A	11.05	20.57	1.52	PA-6/66	Std.	Natural
04N.110.0249.A	11.00	24.99	2.24	PA-6/66	Std.	Natural
04N.110.0350.A	11.00	35.00	4.00	PA-6/66	Std.	Natural
04N.111.0158.A1	11.10	15.88	2.36	PA-6/66	Std.	Natural
04N.111.0158.A2	11.10	15.88	6.35	PA-6/66	Std.	Natural
04N.111.0158.A3	11.12	15.88	0.81	PA-6/66	Std.	Natural
04N.111.0159.A	11.10	15.98	3.18	PA-6/66	Std.	Natural
04N.111.0165.A	11.18	16.51	3.18	PA-6/66	Std.	Natural
04N.111.0168.A	11.18	16.81	3.10	PA-6/66	Std.	Natural
04N.111.0190.A1	11.10	19.05	0.91	PA-6/66	Std.	Natural
04N.111.0190.A2	11.18	19.05	2.36	PA-6/66	Std.	Natural
04N.111.0222.A	11.10	22.25	12.75	PA-6/66	Std.	Natural
04N.111.0254.A	11.18	25.40	1.52	PA-6/66	Std.	Natural
04N.111.0317.A	11.10	31.75	3.18	PA-6/66	Std.	Natural
04N.111.0381.A	11.10	38.10	3.30	PA-6/66	Std.	Natural
04N.112.0189.A	11.25	18.92	2.41	PA-6/66	Std.	Natural
04N.112.0190.A1	11.25	19.05	0.81	PA-6/66	Std.	Natural
04N.112.0190.A2	11.25	19.05	1.58	PA-6/66	Std.	Natural
04N.112.0190.A3	11.25	19.05	2.36	PA-6/66	Std.	Natural
04N.112.0190.A4	11.25	19.05	3.18	PA-6/66	Std.	Natural
04N.112.0190.B1	11.25	19.05	0.81	PA-6/66	Std.	Black
04N.112.0190.B2	11.25	19.05	1.58	PA-6/66	Std.	Black
04N.112.0317.A	11.25	31.75	5.58	PA-6/66	Std.	Natural
04N.113.0170.A	11.38	17.02	3.05	PA-6/66	Std.	Natural
04N.114.0254.A	11.43	25.40	3.18	PA-6/66	Std.	Natural
04N.114.0349.A	11.43	34.93	2.29	PA-6/66	Std.	Natural
04N.114.0381.A	11.40	38.10	1.90	PA-6/66	Std.	Natural
04N.115.0238.A	11.51	23.83	3.94	PA-6/66	Std.	Natural
04N.117.0132.A	11.76	13.28	1.52	PA-6/66	Std.	Natural
04N.117.0156.A	11.79	15.60	2.79	PA-6/66	Std.	Natural
04N.117.0180.A	11.71	18.01	2.79	PA-6/66	Std.	Natural
04N.117.0181.A	11.76	18.11	1.65	PA-6/66	Std.	Natural
04N.118.0143.A	11.89	14.30	3.94	PA-6/66	Std.	Natural



Plain Washer - I/D Ø 11-15mm

Plain

Nylon

Order No.	d ₁	d ₂	h	Material	Grade	Finish
04N.118.0146.A	11.86	14.61	2.29	PA-6/66	Std.	Natural
04N.118.0167.A	11.89	16.74	3.02	PA-6/66	Std.	Natural
04N.119.0190.A	11.94	19.05	5.08	PA-6/66	Std.	Natural
04N.119.0236.A	11.99	23.60	3.20	PA-6/66	Std.	Natural
04N.119.0349.A	11.94	34.93	2.36	PA-6/66	Std.	Natural
04N.120.0133.A	12.07	13.34	1.78	PA-6/66	Std.	Natural
04N.120.0174.A	12.01	17.40	4.83	PA-6/66	Std.	Natural
04N.121.0209.A	12.19	20.96	2.54	PA-6/66	Std.	Natural
04N.121.0209.B	12.19	20.96	2.54	PA-6/66	Std.	Black
04N.121.0300.A	12.12	30.07	2.01	PA-6/66	Std.	Natural
04N.122.0140.A	12.22	14.07	0.76	PA-6/66	Std.	Natural
04N.122.0170.A	12.22	17.04	0.79	PA-6/66	Std.	Natural
04N.123.0196.A	12.32	19.69	3.81	PA-6/66	Std.	Natural
04N.123.0223.B	12.31	22.35	1.52	PA-6/66	Std.	Black
04N.123.0254.A	12.32	25.48	4.39	PA-6/66	Std.	Natural
04N.124.0180.A	12.45	18.03	3.17	PA-6/66	Std.	Natural
04N.125.0205.A	12.57	20.55	1.50	PA-6/66	Std.	Natural
04N.126.0188.A	12.65	18.85	3.02	PA-6/66	Std.	Natural
04N.127.0152.A	12.70	15.24	3.05	PA-6/66	Std.	Natural
04N.127.0158.A	12.70	15.88	3.35	PA-6/66	Std.	Natural
04N.127.0184.A	12.70	18.41	2.79	PA-6/66	Std.	Natural
04N.127.0184.B	12.70	18.41	2.79	PA-6/66	Std.	Black
04N.127.0196.A	12.70	19.69	3.05	PA-6/66	Std.	Natural
04N.127.0222.A	12.70	22.23	3.18	PA-6/66	Std.	Natural
04N.127.0223.A	12.70	22.35	1.65	PA-6/66	Std.	Natural
04N.127.0223.B	12.70	22.35	1.65	PA-6/66	Std.	Black
04N.127.0228.A	12.70	22.86	1.91	PA-6/66	Std.	Natural
04N.127.0254.A1	12.70	25.40	1.59	PA-6/66	Std.	Natural
04N.127.0254.A2	12.70	25.40	2.54	PA-6/66	Std.	Natural
04N.127.0254.A3	12.70	25.40	4.75	PA-6/66	Std.	Natural
04N.127.0254.A4	12.77	25.45	3.81	PA-6/66	Std.	Natural
04N.127.0284.A	12.78	28.45	0.84	PA-6/66	Std.	Natural
04N.127.0285.A	12.70	28.58	1.57	PA-6/66	Std.	Natural
04N.127.0309.A	12.75	30.99	3.81	PA-6/66	Std.	Natural
04N.127.0381.A1	12.7	38.10	0.78	PA-6/66	Std.	Natural
04N.127.0381.A2	12.70	38.10	3.18	PA-6/66	Std.	Natural
04N.128.0158.A	12.83	15.88	2.34	PA-6/66	Std.	Natural
04N.128.0158.B	12.83	15.88	2.34	PA-6/66	Std.	Black
04N.128.0175.A	12.88	17.58	1.07	PA-6/66	Std.	Natural
04N.128.0190.A1	12.83	19.05	0.81	PA-6/66	Std.	Natural
04N.128.0190.A2	12.83	19.05	1.58	PA-6/66	Std.	Natural
04N.128.0190.A3	12.83	19.05	2.36	PA-6/66	Std.	Natural
04N.128.0190.A4	12.83	19.05	3.18	PA-6/66	Std.	Natural
04N.128.0190.B1	12.83	19.05	1.58	PA-6/66	Std.	Black
04N.128.0190.B2	12.83	19.05	2.36	PA-6/66	Std.	Black
04N.128.0190.B3	12.83	19.05	3.18	PA-6/66	Std.	Black
04N.128.0221.A	12.85	22.10	5.11	PA-6/66	Std.	Natural
04N.128.0238.A	12.85	23.88	1.63	PA-6/66	Std.	Natural
04N.128.0254.A	12.83	25.40	3.18	PA-6/66	Std.	Natural
04N.128.0381.A1	12.83	38.10	3.18	PA-6/66	Std.	Natural
04N.128.0381.A2	12.83	38.10	3.30	PA-6/66	Std.	Natural
04N.128.0381.A3	12.83	38.10	5.33	PA-6/66	Std.	Natural
04N.128.0381.A4	12.88	38.10	6.35	PA-6/66	Std.	Natural
04N.128.0500.A	12.80	50.01	3.17	PA-6/66	Std.	Natural
04N.129.0163.A	12.95	16.33	2.29	PA-6/66	Std.	Natural
04N.129.0189.A	12.93	18.92	3.81	PA-6/66	Std.	Natural
04N.129.0204.A	12.95	20.45	5.59	PA-6/66	Std.	Natural
04N.129.0254.A1	12.93	25.40	3.18	PA-6/66	Std.	Natural
04N.129.0254.A2	12.95	25.40	1.57	PA-6/66	Std.	Natural
04N.129.0333.A	12.95	33.32	10.16	PA-6/66	Std.	Natural
04N.129.0349.A	12.95	34.93	1.57	PA-6/66	Std.	Natural
04N.129.0508.A	12.95	50.80	1.52	PA-6/66	Std.	Natural
04N.130.0184.A	13.03	18.49	1.83	PA-6/66	Std.	Natural
04N.130.0190.A	13.08	19.05	6.35	PA-6/66	Std.	Natural
04N.130.0196.A	13.08	19.69	6.35	PA-6/66	Std.	Natural
04N.130.0228.A	13.08	22.86	1.52	PA-6/66	Std.	Natural
04N.130.0254.A	13.08	25.40	2.38	PA-6/66	Std.	Natural
04N.130.0349.A	13.08	34.93	2.36	PA-6/66	Std.	Natural
04N.130.0372.A	13.08	37.29	1.27	PA-6/66	Std.	Natural

NYLON



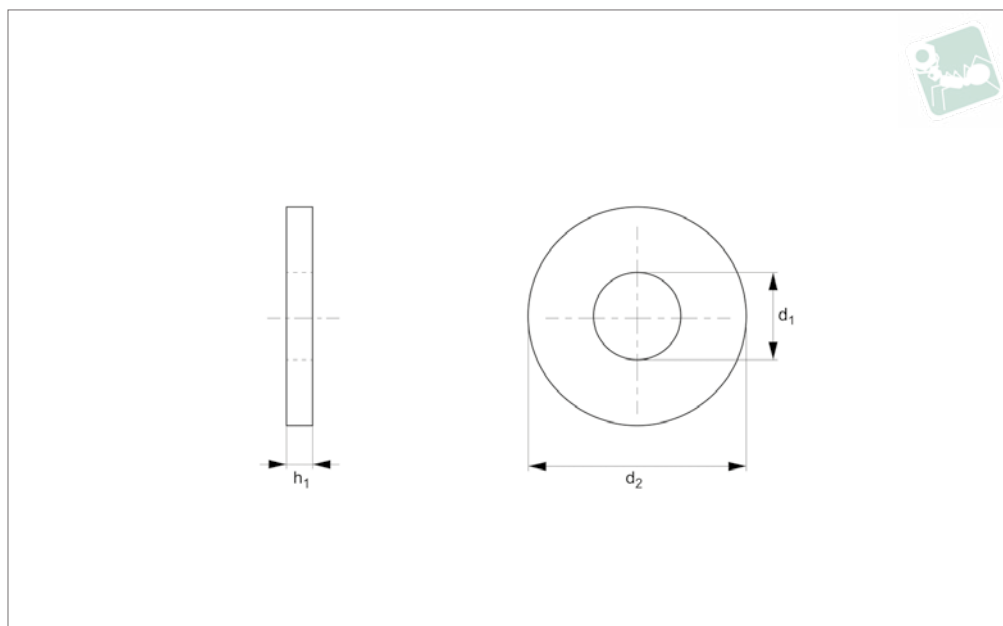
Order No.	d ₁	d ₂	h	Material	Grade	Finish
04N.130.0381.A	13.08	38.10	11.11	PA-6/66	Std.	Natural
04N.130.0398.A	13.00	39.87	3.0	PA-6/66	Std.	Natural
04N.131.0188.A1	13.11	18.80	3.18	PA-6/66	Std.	Natural
04N.131.0188.A2	13.11	18.87	2.36	PA-6/66	Std.	Natural
04N.131.0254.A	13.16	25.40	2.03	PA-6/66	Std.	Natural
04N.131.0317.A	13.11	31.75	1.57	PA-6/66	Std.	Natural
04N.132.0134.A	13.21	13.41	0.99	PA-6/66	Std.	Natural
04N.132.0187.A	13.26	18.75	3.05	PA-6/66	Std.	Natural
04N.132.0187.B	13.26	18.75	3.05	PA-6/66	Std.	Black
04N.132.0217.A	13.25	21.74	2.48	PA-6/66	Std.	Natural
04N.132.0346.A	13.28	34.62	1.30	PA-6/66	Std.	Natural
04N.132.0378.A	13.23	37.85	3.05	PA-6/66	Std.	Natural
04N.133.0161.A	13.36	16.15	2.49	PA-6/66	Std.	Natural
04N.133.0175.A	13.34	17.53	6.35	PA-6/66	Std.	Natural
04N.133.0180.A	13.30	18.08	1.57	PA-6/66	Std.	Natural
04N.133.0182.A1	13.36	18.24	5.56	PA-6/66	Std.	Natural
04N.133.0182.A2	13.36	18.24	7.14	PA-6/66	Std.	Natural
04N.133.0349.A	13.34	34.93	3.18	PA-6/66	Std.	Natural
04N.134.0177.A1	13.49	17.70	4.01	PA-6/66	Std.	Natural
04N.134.0177.A2	13.49	17.70	4.24	PA-6/66	Std.	Natural
04N.134.0177.A3	13.49	17.78	2.36	PA-6/66	Std.	Natural
04N.134.0187.A	13.49	18.79	4.75	PA-6/66	Std.	Natural
04N.134.0190.A1	13.46	19.05	1.57	PA-6/66	Std.	Natural
04N.134.0190.A2	13.46	19.05	3.96	PA-6/66	Std.	Natural
04N.134.0190.A3	13.46	19.05	5.84	PA-6/66	Std.	Natural
04N.134.0219.A	13.49	21.97	5.08	PA-6/66	Std.	Natural
04N.134.0221.A	13.49	22.10	4.75	PA-6/66	Std.	Natural
04N.134.0254.A	13.49	25.40	1.57	PA-6/66	Std.	Natural
04N.134.0254.B	13.49	25.40	1.57	PA-6/66	Std.	Black
04N.134.0269.A	13.49	26.97	1.57	PA-6/66	Std.	Natural
04N.134.0349.A	13.46	34.93	4.39	PA-6/66	Std.	Natural
04N.134.0412.A	13.49	41.28	7.92	PA-6/66	Std.	Natural
04N.135.0222.A	13.51	22.22	3.93	PA-6/66	Std.	Natural
04N.135.0299.A	13.58	29.99	2.10	PA-6/66	Std.	Natural
04N.137.0189.A	13.74	18.90	1.91	PA-6/66	Std.	Natural
04N.137.0284.A	13.72	28.45	3.18	PA-6/66	Std.	Natural
04N.138.0207.A	13.82	20.75	3.56	PA-6/66	Std.	Natural
04N.139.0177.A	13.91	17.78	2.03	PA-6/66	Std.	Natural
04N.139.0261.A	13.97	26.16	1.57	PA-6/66	Std.	Natural
04N.139.0322.A	13.92	32.26	4.22	PA-6/66	Std.	Natural
04N.141.0191.A	14.17	19.18	0.76	PA-6/66	Std.	Natural
04N.142.0209.A	14.25	20.96	3.68	PA-6/66	Std.	Natural
04N.142.0254.A	14.27	25.40	3.18	PA-6/66	Std.	Natural
04N.142.0317.A	14.29	31.75	0.79	PA-6/66	Std.	Natural
04N.143.0177.A	14.35	17.78	1.57	PA-6/66	Std.	Natural
04N.143.0190.A	14.35	19.05	3.18	PA-6/66	Std.	Natural
04N.143.0223.A	14.33	22.30	1.59	PA-6/66	Std.	Natural
04N.143.0260.A	14.30	26.01	5.59	PA-6/66	Std.	Natural
04N.144.0174.A	14.43	17.45	1.57	PA-6/66	Std.	Natural
04N.144.0181.A	14.48	18.16	2.54	PA-6/66	Std.	Natural
04N.144.0189.A	14.48	18.92	0.79	PA-6/66	Std.	Natural
04N.146.0192.A	14.68	19.20	2.79	PA-6/66	Std.	Natural
04N.147.0228.A	14.71	22.86	1.91	PA-6/66	Std.	Natural
04N.147.0238.A	14.73	23.80	2.08	PA-6/66	Std.	Natural
04N.148.0238.A	14.81	23.80	1.57	PA-6/66	Std.	Natural
04N.149.0197.A	14.99	19.76	0.81	PA-6/66	Std.	Natural
04N.149.0224.A	14.96	22.40	2.16	PA-6/66	Std.	Natural



Plain Washer - I/D Ø 15-80mm

Plain

Nylon



N0400.04N.5

NYLON

Material
Nylon.

Technical Notes
Nylon plain washer

Order No.	d ₁	d ₂	h	Material	Grade	Finish
04N.150.0190.A	15.09	19.05	5.33	PA-6/66	Std.	Natural
04N.150.0222.A	15.08	22.23	3.68	PA-6/66	Std.	Natural
04N.150.0279.A	15.04	27.99	2.50	PA-6/66	Std.	Natural
04N.153.0191.A1	15.37	19.13	1.40	PA-6/66	Std.	Natural
04N.153.0191.A2	15.37	19.13	1.70	PA-6/66	Std.	Natural
04N.153.0286.A	15.37	28.65	6.07	PA-6/66	Std.	Natural
04N.153.0379.A	15.34	37.92	5.59	PA-6/66	Std.	Natural
04N.157.0204.A	15.77	20.45	3.18	PA-6/66	Std.	Natural
04N.157.0214.A	15.77	21.46	2.57	PA-6/66	Std.	Natural
04N.158.0190.A	15.88	19.05	4.32	PA-6/66	Std.	Natural
04N.158.0206.A	15.88	20.62	1.57	PA-6/66	Std.	Natural
04N.158.0238.A	15.88	23.80	2.36	PA-6/66	Std.	Natural
04N.158.0254.A	15.88	25.40	0.81	PA-6/66	Std.	Natural
04N.158.0279.A	15.83	27.99	2.99	PA-6/66	Std.	Natural
04N.158.0333.A	15.88	33.32	1.27	PA-6/66	Std.	Natural
04N.158.0436.A	15.88	43.64	1.27	PA-6/66	Std.	Natural
04N.159.0222.A	15.93	22.23	2.90	PA-6/66	Std.	Natural
04N.159.0319.A	15.97	31.97	0.99	PA-6/66	Std.	Natural
04N.160.0198.A	16.08	19.86	3.18	PA-6/66	Std.	Natural
04N.160.0206.A1	16.00	20.62	2.56	PA-6/66	Std.	Natural
04N.160.0206.A2	16.00	20.62	5.59	PA-6/66	Std.	Natural
04N.160.0254.A1	16.03	25.40	1.65	PA-6/66	Std.	Natural
04N.160.0254.A2	16.03	25.40	3.25	PA-6/66	Std.	Natural
04N.160.0254.A3	16.05	25.40	4.70	PA-6/66	Std.	Natural
04N.160.0287.A	16.00	28.70	1.59	PA-6/66	Std.	Natural
04N.160.0508.A	16.00	50.80	3.18	PA-6/66	Std.	Natural
04N.160.0744.A	16.05	74.42	3.81	PA-6/66	Std.	Natural
04N.161.0252.A	16.13	25.27	6.35	PA-6/66	Std.	Natural
04N.161.0254.A	16.15	25.40	2.38	PA-6/66	Std.	Natural
04N.161.0284.A	16.13	28.45	3.56	PA-6/66	Std.	Natural
04N.161.0508.A	16.13	50.80	1.52	PA-6/66	Std.	Natural
04N.162.0198.A	16.26	19.84	0.79	PA-6/66	Std.	Natural
04N.162.0209.A	16.26	20.96	1.02	PA-6/66	Std.	Natural
04N.162.0254.A	16.26	25.40	3.25	PA-6/66	Std.	Natural
04N.162.0349.A	16.26	34.93	2.29	PA-6/66	Std.	Natural



Order No.	d ₁	d ₂	h	Material	Grade	Finish
04N.163.0260.A	16.31	26.01	1.52	PA-6/66	Std.	Natural
04N.163.0285.A	16.36	28.50	5.51	PA-6/66	Std.	Natural
04N.163.0311.A	16.33	31.12	2.54	PA-6/66	Std.	Natural
04N.163.0332.A	16.38	33.27	3.05	PA-6/66	Std.	Natural
04N.165.0302.A	16.51	30.23	2.29	PA-6/66	Std.	Natural
04N.166.0214.A	16.66	21.44	1.52	PA-6/66	Std.	Natural
04N.166.0333.A1	16.66	33.32	2.41	PA-6/66	Std.	Natural
04N.166.0333.A2	16.66	33.32	4.80	PA-6/66	Std.	Natural
04N.166.0349.A	16.66	34.93	3.18	PA-6/66	Std.	Natural
04N.166.0448.A	16.66	44.83	2.54	PA-6/66	Std.	Natural
04N.167.0400.A	16.74	40.01	3.00	PA-6/66	Std.	Natural
04N.168.0241.A	16.89	24.13	2.36	PA-6/66	Std.	Natural
04N.168.0254.A	16.89	25.40	3.18	PA-6/66	Std.	Natural
04N.168.0381.A	16.89	38.10	2.39	PA-6/66	Std.	Natural
04N.169.0243.A	16.92	24.31	3.53	PA-6/66	Std.	Natural
04N.169.0430.A	16.99	43.00	5.99	PA-6/66	Std.	Natural
04N.170.0315.A	17.02	31.50	1.52	PA-6/66	Std.	Natural
04N.171.0254.A	17.14	25.40	5.08	PA-6/66	Std.	Natural
04N.172.0269.A	17.27	26.97	3.81	PA-6/66	Std.	Natural
04N.174.0219.A	17.48	21.97	3.94	PA-6/66	Std.	Natural
04N.175.0218.A	17.53	21.89	5.59	PA-6/66	Std.	Natural
04N.175.0223.A	17.52	22.35	0.81	PA-6/66	Std.	Natural
04N.175.0243.A	17.58	24.38	3.20	PA-6/66	Std.	Natural
04N.176.0206.A	17.65	20.67	2.36	PA-6/66	Std.	Natural
04N.176.0206.B	17.65	20.67	2.36	PA-6/66	Std.	Black
04N.176.0381.A	17.68	38.10	3.05	PA-6/66	Std.	Natural
04N.177.0369.A	17.70	36.90	2.54	PA-6/66	Std.	Natural
04N.179.0221.A	17.93	22.12	2.82	PA-6/66	Std.	Natural
04N.179.0235.A	17.91	23.52	3.15	PA-6/66	Std.	Natural
04N.180.0240.A	18.03	24.00	15.24	PA-6/66	Std.	Natural
04N.184.0280.A	18.49	28.00	0.99	PA-6/66	Std.	Natural
04N.185.0213.A	18.54	21.34	3.18	PA-6/66	Std.	Natural
04N.185.0254.A	18.54	25.40	1.57	PA-6/66	Std.	Natural
04N.188.0269.A1	18.80	26.92	2.54	PA-6/66	Std.	Natural
04N.188.0269.A2	18.80	26.97	5.72	PA-6/66	Std.	Natural
04N.190.0222.A	19.05	22.23	4.06	PA-6/66	Std.	Natural
04N.190.0254.A	19.05	25.40	3.17	PA-6/66	Std.	Natural
04N.190.0381.A	19.05	38.10	6.35	PA-6/66	Std.	Natural
04N.190.0382.A	19.05	38.23	1.35	PA-6/66	Std.	Natural
04N.191.0222.A	19.18	22.23	3.18	PA-6/66	Std.	Natural
04N.191.0244.A	19.18	24.43	2.57	PA-6/66	Std.	Natural
04N.191.0254.A	19.18	25.40	4.45	PA-6/66	Std.	Natural
04N.191.0377.A	19.18	37.72	5.00	PA-6/66	Std.	Natural
04N.191.0381.A	19.18	38.10	3.30	PA-6/66	Std.	Natural
04N.193.0254.A1	19.30	25.40	1.57	PA-6/66	Std.	Natural
04N.193.0254.A2	19.30	25.40	7.14	PA-6/66	Std.	Natural
04N.193.0285.A	19.38	28.58	3.18	PA-6/66	Std.	Natural
04N.193.0360.A	19.30	36.07	2.54	PA-6/66	Std.	Natural
04N.194.0317.A	19.43	31.75	2.03	PA-6/66	Std.	Natural
04N.194.0317.B	19.43	31.75	2.03	PA-6/66	Std.	Black
04N.194.0378.A	19.43	37.85	2.54	PA-6/66	Std.	Natural
04N.195.0252.A	19.58	25.22	3.15	PA-6/66	Std.	Natural
04N.198.0226.A	19.81	22.63	12.83	PA-6/66	Std.	Natural
04N.198.0254.A	19.84	25.40	1.91	PA-6/66	Std.	Natural
04N.198.0349.A	19.84	34.93	1.60	PA-6/66	Std.	Natural
04N.200.0381.A	20.06	38.10	3.04	PA-6/66	Std.	Natural
04N.201.0400.A	20.19	40.01	0.99	PA-6/66	Std.	Natural
04N.202.0225.A	20.24	22.52	12.70	PA-6/66	Std.	Natural
04N.202.0305.A	20.29	30.50	2.99	PA-6/66	Std.	Natural
04N.203.0635.A	20.32	63.50	1.60	PA-6/66	Std.	Natural
04N.204.0317.A	20.45	31.75	1.52	PA-6/66	Std.	Natural
04N.204.0508.A	20.45	50.80	1.57	PA-6/66	Std.	Natural
04N.204.0754.A	20.45	75.41	1.59	PA-6/66	Std.	Natural
04N.205.0378.A	20.57	37.85	1.57	PA-6/66	Std.	Natural
04N.205.0378.B	20.57	37.85	1.57	PA-6/66	Std.	Black
04N.206.0268.A	20.62	26.85	3.18	PA-6/66	Std.	Natural
04N.206.0317.A	20.62	31.75	2.03	PA-6/66	Std.	Natural
04N.206.0444.A	20.62	44.45	3.18	PA-6/66	Std.	Natural
04N.206.0795.A	20.62	79.55	3.18	PA-6/66	Std.	Natural



Plain Washer - I/D Ø 15-80mm

Plain

Nylon

Order No.	d ₁	d ₂	h	Material	Grade	Finish
04N.210.0300.A	21.01	30.00	3.99	PA-6/66	Std.	Natural
04N.213.0283.A	21.34	28.30	3.23	PA-6/66	Std.	Natural
04N.213.0317.A	21.31	31.75	1.02	PA-6/66	Std.	Natural
04N.214.0254.A	21.44	25.40	3.18	PA-6/66	Std.	Natural
04N.214.0261.A	21.44	26.19	1.02	PA-6/66	Std.	Natural
04N.217.0281.A	21.72	28.12	1.47	PA-6/66	Std.	Natural
04N.222.0283.A	22.23	28.37	4.95	PA-6/66	Std.	Natural
04N.222.0317.A	22.23	31.75	3.18	PA-6/66	Std.	Natural
04N.223.0325.A	22.35	32.57	1.57	PA-6/66	Std.	Natural
04N.225.0285.A	22.58	28.58	1.52	PA-6/66	Std.	Natural
04N.225.0317.A	22.50	31.75	2.59	PA-6/66	Std.	Natural
04N.233.0285.A	23.37	28.58	3.20	PA-6/66	Std.	Natural
04N.235.0444.A	23.57	44.45	6.99	PA-6/66	Std.	Natural
04N.238.0332.A	23.82	33.27	1.02	PA-6/66	Std.	Natural
04N.238.0412.A	23.88	41.28	1.52	PA-6/66	Std.	Natural
04N.239.0287.A	23.93	28.75	3.30	PA-6/66	Std.	Natural
04N.240.0457.A	24.08	45.72	1.45	PA-6/66	Std.	Natural
04N.249.0305.A	24.99	30.56	1.27	PA-6/66	Std.	Natural
04N.251.0368.A	25.15	36.83	3.05	PA-6/66	Std.	Natural
04N.254.0316.A	25.43	31.62	0.79	PA-6/66	Std.	Natural
04N.254.0333.A1	25.40	33.32	3.18	PA-6/66	Std.	Natural
04N.254.0333.A2	25.40	33.32	4.85	PA-6/66	Std.	Natural
04N.254.0365.A	25.40	36.50	1.75	PA-6/66	Std.	Natural
04N.254.0368.A	25.40	36.83	1.65	PA-6/66	Std.	Natural
04N.254.0397.A	25.40	39.70	1.57	PA-6/66	Std.	Natural
04N.254.0412.A	25.40	41.28	4.75	PA-6/66	Std.	Natural
04N.254.0571.A	25.40	57.15	1.91	PA-6/66	Std.	Natural
04N.256.0372.A	25.65	37.29	2.84	PA-6/66	Std.	Natural
04N.257.0349.A	25.78	34.93	3.18	PA-6/66	Std.	Natural
04N.257.0381.A1	25.78	38.10	2.03	PA-6/66	Std.	Natural
04N.257.0381.A2	25.78	38.10	6.35	PA-6/66	Std.	Natural
04N.257.0445.A	25.78	44.57	1.57	PA-6/66	Std.	Natural
04N.259.0288.A	25.96	28.83	12.70	PA-6/66	Std.	Natural
04N.260.0333.A	26.06	33.32	4.85	PA-6/66	Std.	Natural
04N.261.0309.A	26.19	30.94	1.02	PA-6/66	Std.	Natural
04N.261.0349.A	26.18	34.92	12.70	PA-6/66	Std.	Natural
04N.261.0469.A	26.11	46.99	3.05	PA-6/66	Std.	Natural
04N.273.0333.A	27.36	33.32	1.57	PA-6/66	Std.	Natural
04N.273.0635.A	27.31	63.50	3.18	PA-6/66	Std.	Natural
04N.274.0508.A	27.43	50.80	4.06	PA-6/66	Std.	Natural
04N.286.0749.A	28.60	74.93	2.54	PA-6/66	Std.	Natural
04N.295.0391.A	29.57	39.12	4.88	PA-6/66	Std.	Natural
04N.299.0370.A	29.97	37.08	2.54	PA-6/66	Std.	Natural
04N.312.0381.A	31.24	38.10	1.62	PA-6/66	Std.	Natural
04N.317.0381.A	31.75	38.10	3.18	PA-6/66	Std.	Natural
04N.318.0430.A	31.88	43.05	1.65	PA-6/66	Std.	Natural
04N.322.0763.A	32.26	76.32	2.36	PA-6/66	Std.	Natural
04N.323.0577.A	32.39	57.79	3.05	PA-6/66	Std.	Natural
04N.325.0510.A	32.51	51.05	3.43	PA-6/66	Std.	Natural
04N.336.0508.A	33.66	50.80	7.87	PA-6/66	Std.	Natural
04N.349.0412.A	34.93	41.28	2.79	PA-6/66	Std.	Natural
04N.354.0419.A	35.43	41.91	3.56	PA-6/66	Std.	Natural
04N.356.0415.A	35.69	41.53	2.36	PA-6/66	Std.	Natural
04N.358.0571.A	35.81	57.15	3.30	PA-6/66	Std.	Natural
04N.360.0553.A	36.07	55.37	1.27	PA-6/66	Std.	Natural
04N.378.0754.A	37.85	75.44	3.18	PA-6/66	Std.	Natural
04N.379.0411.A	37.97	41.12	6.22	PA-6/66	Std.	Natural
04N.381.0437.A	38.10	43.79	0.81	PA-6/66	Std.	Natural
04N.381.0484.A	38.10	48.41	2.36	PA-6/66	Std.	Natural
04N.383.0413.A	38.30	41.35	1.83	PA-6/66	Std.	Natural
04N.387.0504.A	38.75	50.42	3.18	PA-6/66	Std.	Natural
04N.387.0508.A	38.75	50.80	1.52	PA-6/66	Std.	Natural
04N.412.0763.A	41.28	76.33	2.36	PA-6/66	Std.	Natural
04N.436.0560.A	43.69	56.01	1.27	PA-6/66	Std.	Natural
04N.444.0635.A	44.45	63.50	3.18	PA-6/66	Std.	Natural
04N.447.0543.A	44.70	54.38	3.30	PA-6/66	Std.	Natural
04N.457.0523.A	45.72	52.32	1.40	PA-6/66	Std.	Natural
04N.490.0683.A	49.02	68.33	3.18	PA-6/66	Std.	Natural
04N.665.0828.A	66.55	82.80	1.57	PA-6/66	Std.	Natural

NYLON



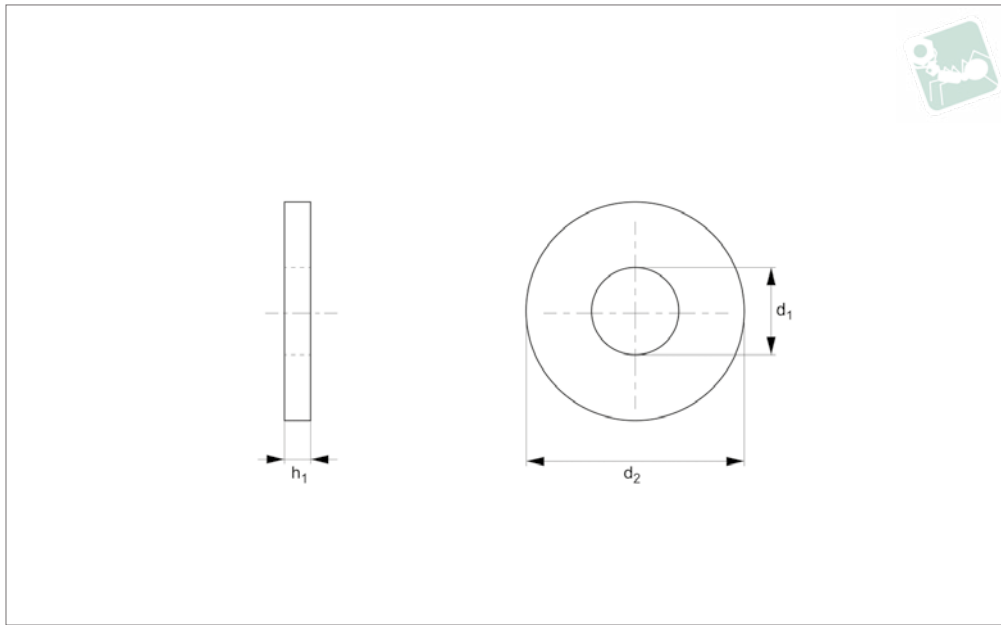
Order No.	d ₁	d ₂	h	Material	Grade	Finish
04N.711.0766.A1	71.12	76.61	1.83	PA-6/66	Std.	Natural
04N.711.0766.A2	71.12	76.61	3.10	PA-6/66	Std.	Natural
04N.769.0914.A	76.96	91.44	1.91	PA-6/66	Std.	Natural



Flat Washers, Glass Filled

DIN 125 A

Nylon



N0406.14N

NYLON

Material

Nylon 66 (PA 6/66), 30% glass filled.
Natural.

the dimensions of our plastic DIN equivalents are close to the norm but do not follow the strict tolerances typically relevant to metal parts.

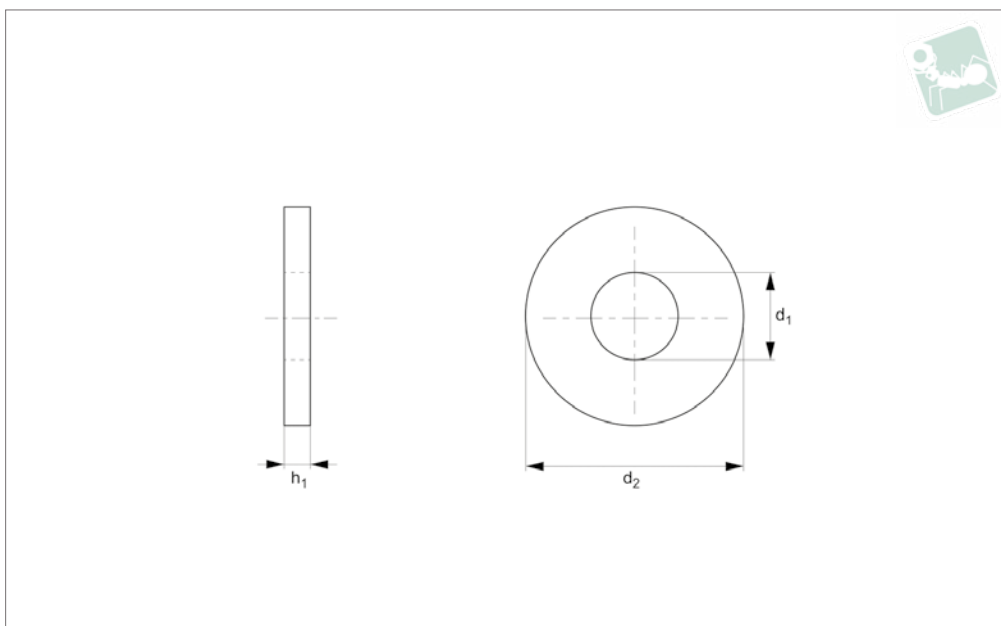
Technical Notes

DIN norms were created for metal parts,

Order No.	For thread	d ₁	d ₂	h	Material	Grade	Finish	To standard
14N.050.0100.1AD	M 5	5.3	10.0	1.0	PA-6/66	Glass 0.3	Natural	DIN 125
14N.060.0120.1AD	M 6	6.4	12.0	1.6	PA-6/66	Glass 0.3	Natural	DIN 125
14N.070.0140.1AD	M 7	7.4	14.0	1.6	PA-6/66	Glass 0.3	Natural	DIN 125
14N.080.0160.1AD	M 8	8.4	16.0	1.6	PA-6/66	Glass 0.3	Natural	DIN 125
14N.100.0200.1AD	M10	10.5	20.0	2.0	PA-6/66	Glass 0.3	Natural	DIN 125
14N.120.0240.1AD	M12	13.0	24.0	2.5	PA-6/66	Glass 0.3	Natural	DIN 125
14N.140.0280.1AD	M14	15.0	28.0	2.5	PA-6/66	Glass 0.3	Natural	DIN 125
14N.160.0300.1AD	M16	17.0	30.0	3.0	PA-6/66	Glass 0.3	Natural	DIN 125
14N.180.0340.1AD	M18	19.0	34.0	3.0	PA-6/66	Glass 0.3	Natural	DIN 125
14N.200.0370.1AD	M20	21.0	37.0	3.0	PA-6/66	Glass 0.3	Natural	DIN 125
14N.220.0390.1AD	M22	23.0	39.0	3.0	PA-6/66	Glass 0.3	Natural	DIN 125
14N.240.0440.1AD	M24	25.0	44.0	4.0	PA-6/66	Glass 0.3	Natural	DIN 125
14N.260.0500.1AD	M26	27.0	50.0	4.0	PA-6/66	Glass 0.3	Natural	DIN 125
14N.270.0500.1AD	M27	28.0	50.0	4.0	PA-6/66	Glass 0.3	Natural	DIN 125
14N.280.0500.1AD	M28	29.0	50.0	4.0	PA-6/66	Glass 0.3	Natural	DIN 125
14N.300.0560.1AD	M30	31.0	56.0	4.0	PA-6/66	Glass 0.3	Natural	DIN 125
14N.320.0600.1AD	M32	33.0	60.0	5.0	PA-6/66	Glass 0.3	Natural	DIN 125
14N.330.0600.1AD	M33	34.0	60.0	5.0	PA-6/66	Glass 0.3	Natural	DIN 125
14N.350.0660.1AD	M35	36.0	66.0	5.0	PA-6/66	Glass 0.3	Natural	DIN 125
14N.360.0660.1AD	M36	37.0	66.0	5.0	PA-6/66	Glass 0.3	Natural	DIN 125
14N.380.0720.1AD	M38	39.0	72.0	6.0	PA-6/66	Glass 0.3	Natural	DIN 125
14N.390.0720.1AD	M39	40.0	72.0	6.0	PA-6/66	Glass 0.3	Natural	DIN 125
14N.400.0720.1AD	M40	41.0	72.0	6.0	PA-6/66	Glass 0.3	Natural	DIN 125



N0408.13N



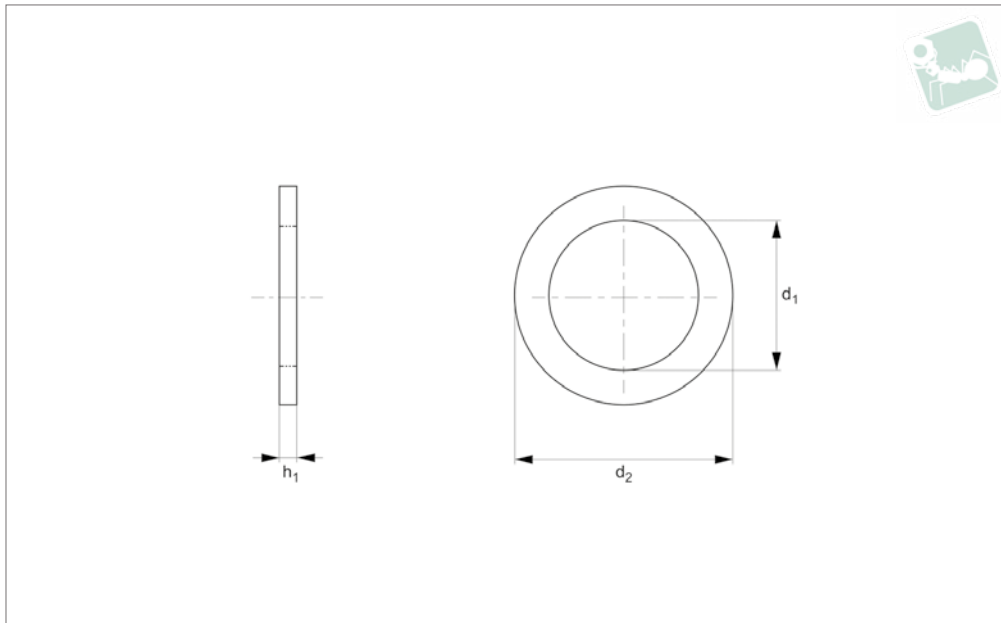
Material
Polycarbonate, PC.

Technical Notes
DIN norms were created for metal parts,

the dimensions of our plastic DIN equivalents are close to the norm but do not follow the strict tolerances typically relevant to metal parts.

Polycarbonate parts offer good resistant to shocks.

Order No.	For thread	d ₁	d ₂	h	Material	Grade	Finish	To standard
13N.040.0090.5AD	M 4	4.3	9.0	0.8	PC	Std.	Natural	DIN 125
13N.050.0100.5AD	M 5	5.3	10.0	1.0	PC	Std.	Natural	DIN 125
13N.060.0120.5AD	M 6	6.4	12.0	1.6	PC	Std.	Natural	DIN 125
13N.080.0160.5AD	M 8	8.4	16.0	1.6	PC	Std.	Natural	DIN 125
13N.100.0200.5AD	M10	10.5	20.0	2.0	PC	Std.	Natural	DIN 125
13N.120.0240.5AD	M12	13.0	24.0	2.5	PC	Std.	Natural	DIN 125
13N.140.0280.5AD	M14	15.0	28.0	2.5	PC	Std.	Natural	DIN 125
13N.160.0300.5AD	M16	17.0	30.0	3.0	PC	Std.	Natural	DIN 125
13N.200.0370.5AD	M20	21.0	37.0	3.0	PC	Std.	Natural	DIN 125



N0415.43N

NYLON

Material

Nylon 66 (PA 6/66) natural or black.

Technical Notes

DIN standards were created for metal parts, the dimensions of our plastic DIN equivalents are close to the norm but do

not follow the strict tolerances typically relevant to metal parts.

Many nylon parts are available in dyed black, this subject to a minimum value and process charge, please contact us for further details.

Dyed black parts are not long term UV stable for UV protective. Nylon parts offer good electrical insulation, is resistant to corrosion and most dilute acids.

Nylon protects work surfaces and absorbs shocks and vibrations.

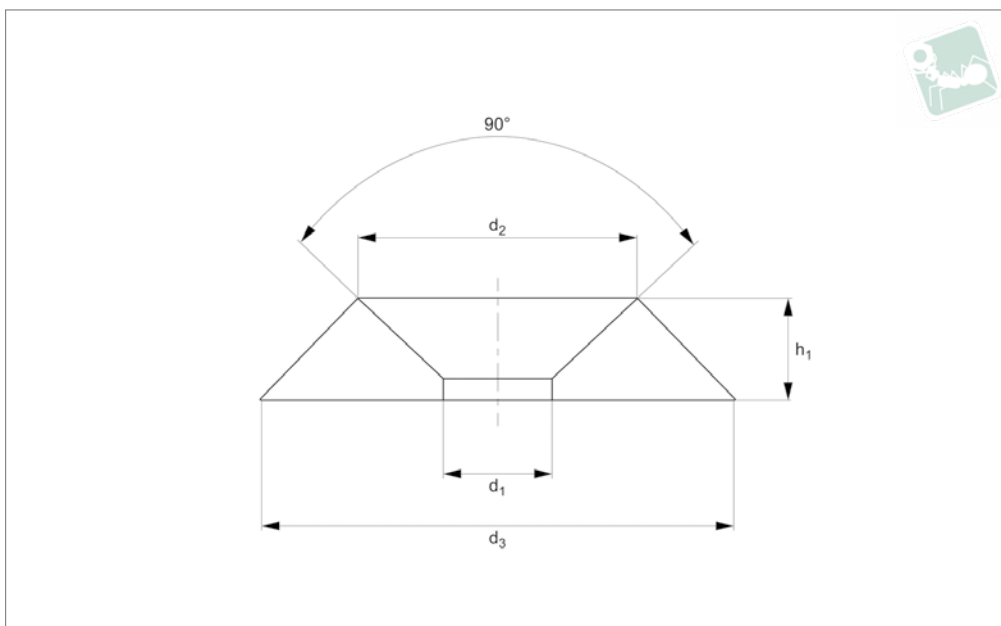
Order No.	For thread	d ₁	d ₂	h	Material	Grade
43N.020.0045.N	M 2	2.2	4.5	0.3	DIN 433	Natural
43N.025.0050.N	M2,5	2.7	5.0	0.5	DIN 433	Natural
43N.030.0060.N	M 3	3.2	6.0	0.5	DIN 433	Natural
43N.040.0080.N	M 4	4.3	8.0	0.5	DIN 433	Natural
43N.050.0090.N	M 5	5.3	9.0	1.0	DIN 433	Natural
43N.060.0110.N	M 6	6.4	11.0	1.5	DIN 433	Natural
43N.080.0150.N	M 8	8.4	15.0	1.5	DIN 433	Natural
43N.100.0180.N	M10	10.5	18.0	1.6	DIN 433	Natural
43N.120.0200.N	M12	13.0	20.0	2.0	DIN 433	Natural
43N.140.0240.N	M14	15.0	24.0	2.5	DIN 433	Natural
43N.160.0280.N	M16	17.0	28.0	2.5	DIN 433	Natural
43N.180.0300.N	M18	19.0	30.0	2.5	DIN 433	Natural
43N.200.0340.N	M20	21.0	34.0	3.0	DIN 433	Natural
43N.020.0045.B	M 2	2.2	4.5	0.3	DIN 433	Black
43N.025.0050.B	M2,5	2.7	5.0	0.5	DIN 433	Black
43N.030.0060.B	M 3	3.2	6.0	0.5	DIN 433	Black
43N.040.0080.B	M 4	4.3	8.0	0.5	DIN 433	Black
43N.050.0090.B	M 5	5.3	9.0	1.0	DIN 433	Black
43N.060.0110.B	M 6	6.4	11.0	1.5	DIN 433	Black
43N.080.0150.B	M 8	8.4	15.0	1.5	DIN 433	Black
43N.100.0180.B	M10	10.5	18.0	1.6	DIN 433	Black
43N.120.0200.B	M12	13.0	20.0	2.0	DIN 433	Black
43N.140.0240.B	M14	15.0	24.0	2.5	DIN 433	Black
43N.160.0280.B	M16	17.0	28.0	2.5	DIN 433	Black
43N.190.0300.B	M18	19.0	30.0	2.5	DIN 433	Black
43N.200.0340.B	M20	21.0	34.0	3.0	DIN 433	Black



NYLON



N0441.49N



Material

Nylon 66 (PA 6/66), standard. White or black.

Technical Notes

Many Nylon parts are available in dyed

black, this subject to a minimum value and process charge, please contact us for further details.

Dyed black colour is not long term UV stable. Nylon parts offer good electrical

insulation, is resistant to corrosion and most dilute acids.

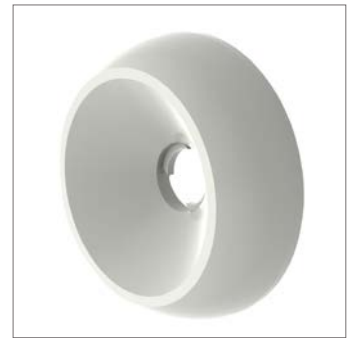
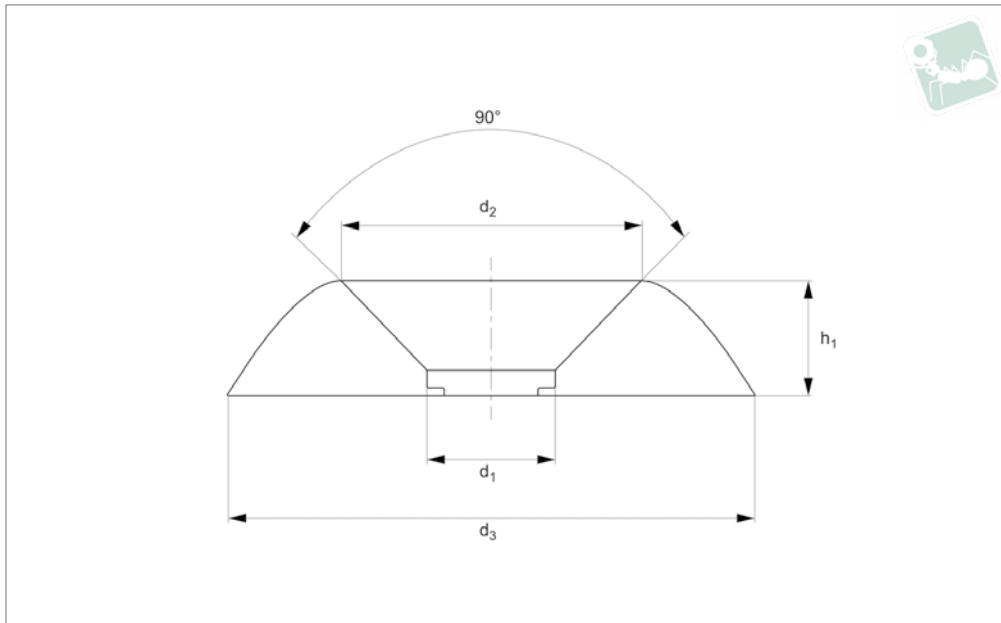
Nylon protects work surfaces and absorbs shocks and vibrations.

Order No.	For screw	d ₁	d ₂	d ₃	h	Material	Grade	Finish
49N.030.0019.OA	M 3	3.0	6.5	9.2	1.9	Nylon 6/66	Std.	White
49N.040.0030.OA	M 4	4.3	8.0	11.9	3.0	Nylon 6/66	Std.	White
49N.050.0035.OA	M 5	5.3	9.8	15.3	3.5	Nylon 6/66	Std.	White
49N.060.0045.OA	M 6	6.3	11.7	17.0	4.5	Nylon 6/66	Std.	White
49N.080.0059.OA	M 8	8.0	14.3	22.3	5.9	Nylon 6/66	Std.	White
49N.030.0019.OB	M 3	3.0	6.5	9.2	1.9	Nylon 6/66	Std.	Black
49N.040.0030.OB	M 4	4.3	8.0	11.9	3.0	Nylon 6/66	Std.	Black
49N.050.0035.OB	M 5	5.3	9.8	15.3	3.5	Nylon 6/66	Std.	Black
49N.060.0045.OB	M 6	6.3	11.7	17.0	4.5	Nylon 6/66	Std.	Black
49N.080.0059.OB	M 8	8.0	14.3	22.3	5.9	Nylon 6/66	Std.	Black



Finishing Washer for countersunk screw

Nylon



N0442.42N

NYLON

Material

Nylon 66 (PA 6/66), standard. White or black.

Technical Notes

Many Nylon parts are available in dyed

black, this subject to a minimum value and process charge, please contact us for further details.

Dyed black colour is not long term UV stable. Nylon parts offer good electrical

insulation, is resistant to corrosion and most dilute acids.

Nylon protects work surfaces and absorbs shocks and vibrations.

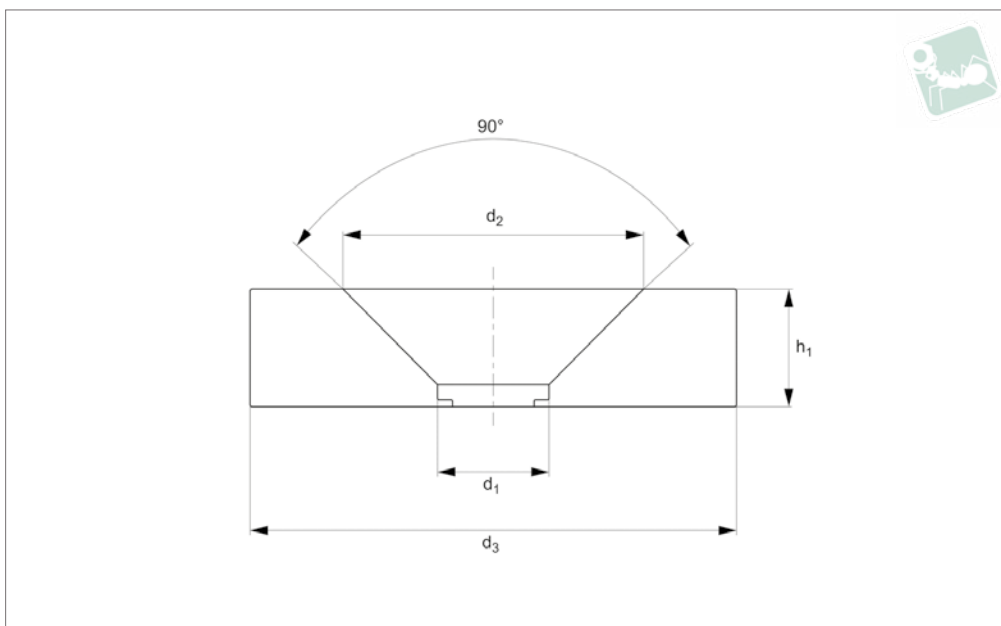
Order No.	For screw	d_1	d_2	d_3	h	Material	Grade	Finish
42N.030.0032.0A	M 3	3.2	7	14	2.9	Nylon 6/66	Std.	White
42N.040.0043.0A	M 4	4.3	9	16	3.7	Nylon 6/66	Std.	White
42N.050.0052.0A	M 5	5.2	11	18	3.8	Nylon 6/66	Std.	White
42N.060.0064.0A	M 6	6.4	13	22	4.5	Nylon 6/66	Std.	White
42N.030.0032.0B	M 3	3.2	7	14	2.9	Nylon 6/66	Std.	Black
42N.040.0043.0B	M 4	4.3	9	16	3.7	Nylon 6/66	Std.	Black
42N.050.0052.0B	M 5	5.2	11	18	3.8	Nylon 6/66	Std.	Black
42N.060.0064.0B	M 6	6.4	13	22	4.5	Nylon 6/66	Std.	Black



NYLON



N0444.44N



Material

Nylon 66 (PA 6/66), standard. White or black.

Technical Notes

Many Nylon parts are available in dyed

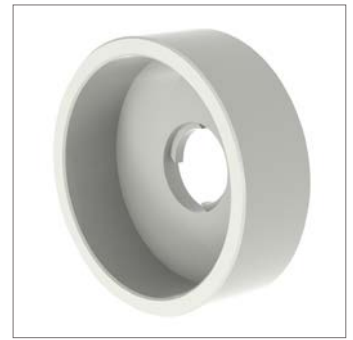
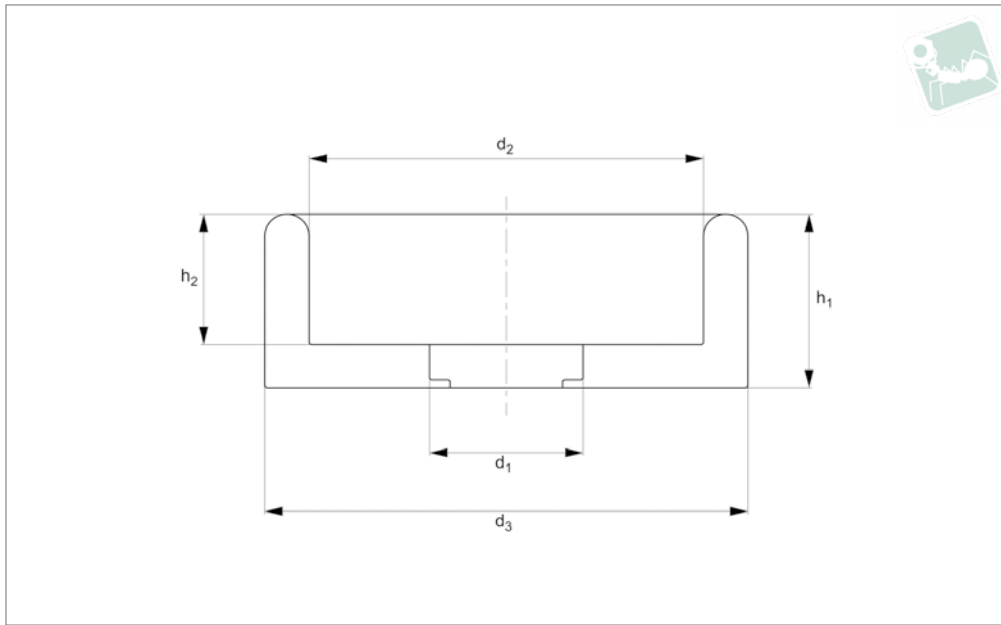
black, this subject to a minimum value and process charge, please contact us for further details.

Dyed black colour is not long term UV stable. Nylon parts offer good electrical

insulation, is resistant to corrosion and most dilute acids.

Nylon protects work surfaces and absorbs shocks and vibrations.

Order No.	For screw	d_1	d_2	d_3	h	Material	Grade	Finish
44N.030.0060.2A	M3	3.2	6.0	8.4	2.2	Nylon 6/66	Std.	White
44N.040.0080.2A	M4	4.3	8.0	10.5	2.8	Nylon 6/66	Std.	White
44N.050.0098.2A	M5	5.2	9.8	12.5	3.3	Nylon 6/66	Std.	White
44N.060.0115.2A	M6	6.2	11.5	15.0	4.1	Nylon 6/66	Std.	White
44N.080.0160.2A	M8	8.2	16.0	20.0	5.0	Nylon 6/66	Std.	White
44N.030.0060.2B	M3	3.2	6.0	8.4	2.2	Nylon 6/66	Std.	Black
44N.040.0080.2B	M4	4.3	8.0	10.5	2.8	Nylon 6/66	Std.	Black
44N.050.0098.2B	M5	5.2	9.8	12.5	3.3	Nylon 6/66	Std.	Black
44N.060.0115.2B	M6	6.2	11.5	15.0	4.1	Nylon 6/66	Std.	Black
44N.080.0160.2B	M8	8.2	16.0	20.0	5.0	Nylon 6/66	Std.	Black



N0446.46N

NYLON

Material

Nylon 66 (PA 6/66), standard. White or black.

Technical Notes

Cup finishing washers for use with cheese

head screws.

Nylon parts offer good electrical insulation, is resistant to corrosion and most dilute acids.

Nylon protects work surfaces and absorbs

shocks and vibrations.

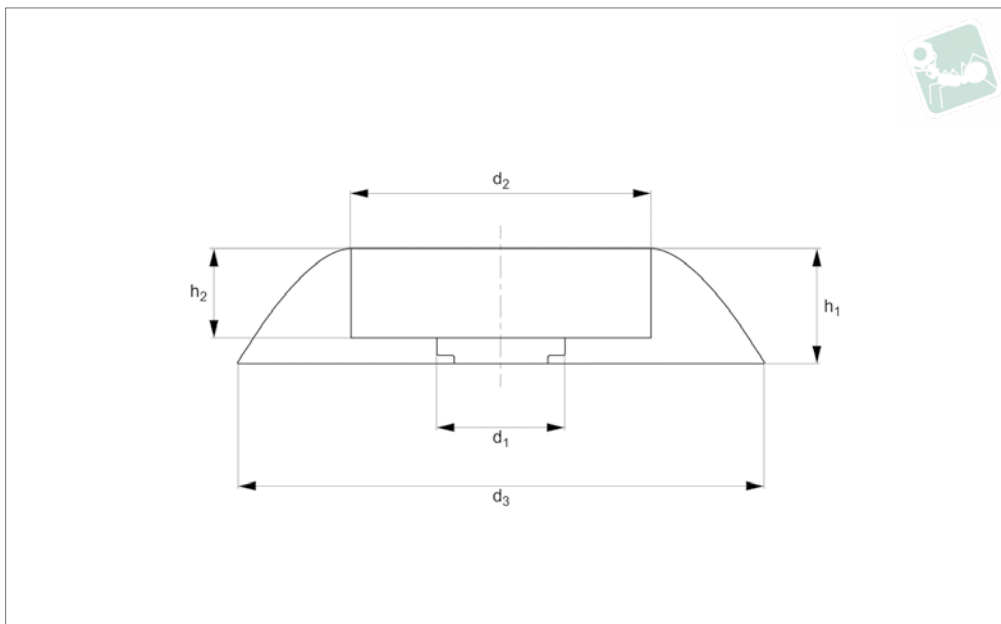
Order No.	For screw	d_1	d_2	d_3	h_1	h_2	Material	Grade	Finish
46N.030.085.0A	M 3	3.0	6.0	8.5	2.2	1.2	PA-6/66	Std.	White
46N.043.105.0A	M 4	4.3	8.0	10.5	2.8	1.7	PA-6/66	Std.	White
46N.053.127.0A	M 5	5.3	10.0	12.7	3.4	2.2	PA-6/66	Std.	White
46N.064.139.0A	M 6	6.4	12.3	13.9	3.3	2.3	PA-6/66	Std.	White
46N.065.150.0A	M 6	6.5	11.9	15.0	4.0	2.6	PA-6/66	Std.	White
46N.084.200.0A	M 8	8.4	16.0	20.0	5.0	3.5	PA-6/66	Std.	White
46N.030.085.0B	M 3	3.0	6.0	8.5	2.2	1.2	PA-6/66	Std.	Black
46N.043.105.0B	M 4	4.3	8.0	10.5	2.8	1.7	PA-6/66	Std.	Black
46N.053.127.0B	M 5	5.3	10.0	12.7	3.4	2.2	PA-6/66	Std.	Black
46N.064.139.0B	M 6	6.4	12.3	13.9	3.3	2.3	PA-6/66	Std.	Black
46N.065.150.0B	M 6	6.5	11.9	15.0	4.0	2.6	PA-6/66	Std.	Black
46N.084.200.0B	M 8	8.4	16.0	20.0	5.0	3.5	PA-6/66	Std.	Black
46N.032.065.0A	M 3	3.2	5.5	6.5	2.0	1.1	PA-6/66	Std.	White
46N.043.085.0A	M 4	4.3	7.0	8.5	2.2	1.2	PA-6/66	Std.	White
46N.053.105.0A	M 5	5.3	8.5	10.5	2.8	1.6	PA-6/66	Std.	White
46N.064.127.0A	M 6	6.4	10.0	12.7	3.4	2.1	PA-6/66	Std.	White
46N.084.150.0A	M 8	8.4	13.0	15.0	4.0	2.6	PA-6/66	Std.	White
46N.032.065.0B	M 3	3.2	5.5	6.5	2.0	1.1	PA-6/66	Std.	Black
46N.043.085.0B	M 4	4.3	7.0	8.5	2.2	1.2	PA-6/66	Std.	Black
46N.053.105.0B	M 5	5.3	8.5	10.5	2.8	1.6	PA-6/66	Std.	Black
46N.064.127.0B	M 6	6.4	10.0	12.7	3.4	2.1	PA-6/66	Std.	Black
46N.084.150.0B	M 8	8.4	13.0	15.0	4.0	2.6	PA-6/66	Std.	Black



NYLON



N0448.48N



Material

Nylon 66 (PA 6/66), standard. White or black.

black, this subject to a minimum value and process charge, please contact us for further details.

insulation, is resistant to corrosion and most dilute acids.

Technical Notes

Many Nylon parts are available in dyed

Dyed black colour is not long term UV stable. Nylon parts offer good electrical

Nylon protects work surfaces and absorbs shocks and vibrations.

Order No.	For screw	d ₁	d ₂	d ₃	h ₁	h ₂	Material	Grade	Finish
48N.030.0140.2A	M3	3.2	5.5	14	2.8	1.7	Nylon 6/66	Std.	White
48N.040.0160.2A	M4	4.3	7.0	16	3.5	2.3	Nylon 6/66	Std.	White
48N.050.0180.2A	M5	5.3	8.5	18	4.0	2.7	Nylon 6/66	Std.	White
48N.060.0220.2A	M6	6.3	10.0	22	4.9	3.5	Nylon 6/66	Std.	White
48N.030.0140.2B	M3	3.2	5.5	14	2.8	1.7	Nylon 6/66	Std.	Black
48N.040.0160.2B	M4	4.3	7.0	16	3.5	2.3	Nylon 6/66	Std.	Black
48N.050.0180.2B	M5	5.3	8.5	18	4.0	2.7	Nylon 6/66	Std.	Black
48N.060.0220.2B	M6	6.3	10.0	22	4.9	3.5	Nylon 6/66	Std.	Black