

**08215.N3**

OTHER PLASTICS

**Material**

Polyamide, yellow.

spanner.

**Technical Notes**

Threaded for installation via screwdriver or

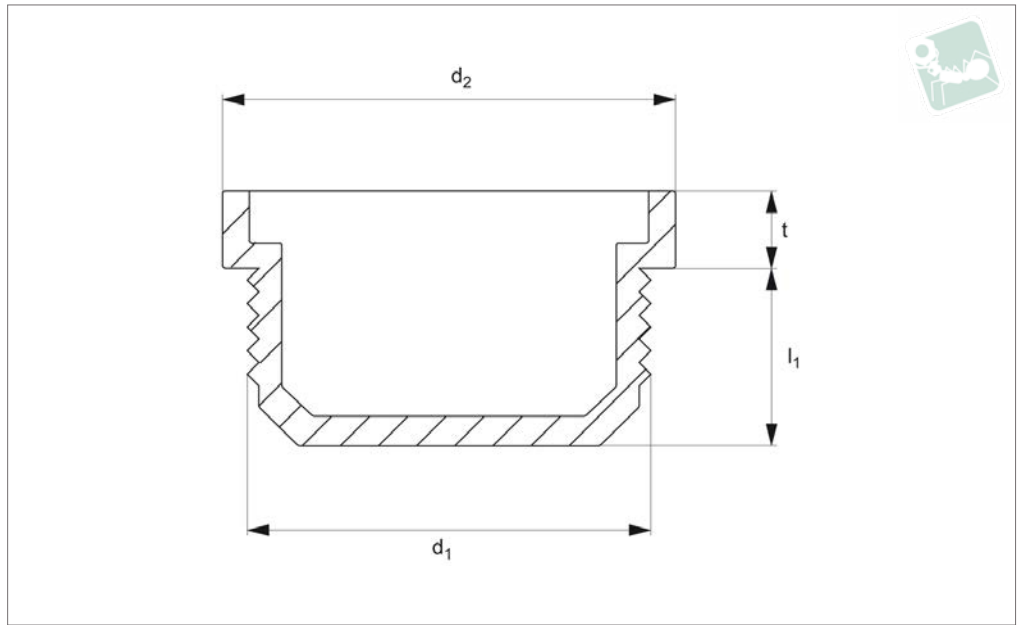
**Important Notes**

Sold subject to minimum pack quantity.

| Order No.    | d <sub>1</sub> | l <sub>1</sub> | l <sub>2</sub> | A/F | d <sub>2</sub> |
|--------------|----------------|----------------|----------------|-----|----------------|
| 08215.AC0881 | 14,2 - 0,2     | 7              | 10             | 10  | M10            |
| 08215.AC0883 | 17,2 - 0,2     | 10             | 10             | 13  | M12            |
| 08215.AC0885 | 19,2 - 0,2     | 10             | 10             | 13  | M14            |
| 08215.AC0887 | 22,0 - 0,2     | 10             | 10             | 17  | M16            |
| 08215.AC0889 | 24,0 - 0,2     | 10             | 11             | 17  | M18            |
| 08215.AC0891 | 26,0 - 0,2     | 10             | 14             | 19  | M20            |
| 08215.AC0893 | 27,2 - 0,2     | 10             | 14             | 19  | M22            |
| 08215.AC0895 | 32,0 - 0,3     | 13             | 14             | 24  | M26            |
| 08215.AC0897 | 32,3 - 0,3     | 13             | 14             | 24  | M27            |
| 08215.AC0899 | 40,0 - 0,4     | 13             | 14             | 27  | M33            |
| 08215.AC0901 | 50,0 - 0,4     | 13             | 15             | 36  | M42            |
| 08215.AC0949 | 16.8           | 9              | 10             | 13  | 1/8"           |
| 08215.AC0951 | 19,0 - 0,2     | 9              | 10             | 13  | 1/4"           |
| 08215.AC0953 | 22,2 - 0,2     | 9              | 11             | 17  | 3/8"           |
| 08215.AC0955 | 27,0 - 0,2     | 12             | 13             | 19  | 1/2"           |
| 08215.AC0957 | 32,3 - 0,3     | 12             | 13             | 24  | 3/4"           |
| 08215.AC0959 | 40,0 - 0,4     | 15             | 14             | 27  | 1"             |
| 08215.AC0961 | 50,0 - 0,4     | 15             | 15             | 36  | 1 1/4"         |
| 08215.AC0963 | 55,4 - 0,4     | 15             | 15             | 41  | 1 1/2"         |
| 08215.AC0965 | 68.4           | 15             | 15             | 55  | 2"             |



**08218.N0**



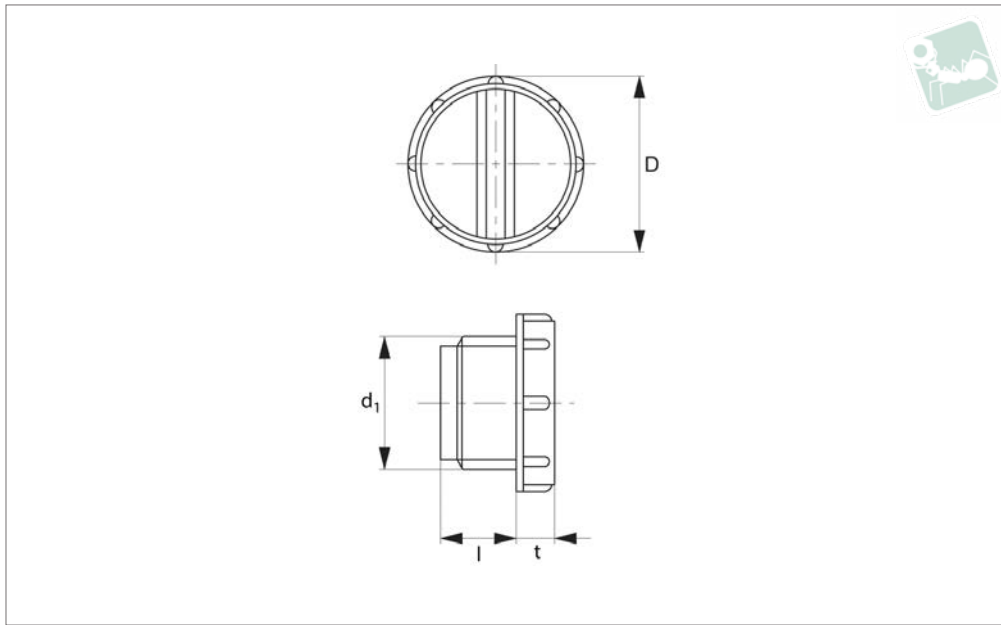
**Material**

Low density polyethylene, red.

**Important Notes**

Sold subject to minimum pack quantity.

| Order No.    | d <sub>1</sub> | l <sub>1</sub> | t   | d <sub>2</sub> |
|--------------|----------------|----------------|-----|----------------|
| 08218.AC0851 | 1/4"           | 7.0            | 3.5 | 19.0           |
| 08218.AC0853 | 3/8"           | 8.5            | 3.5 | 22.5           |
| 08218.AC0855 | 1/2"           | 10.0           | 4.5 | 26.0           |
| 08218.AC0857 | 3/4"           | 11.5           | 6.0 | 32.0           |
| 08218.AC0859 | 1"             | 13.5           | 6.0 | 37.0           |



### 08221.N3

OTHER PLASTICS

#### Material

Low density polyethylene, yellow.

#### Important Notes

Sold subject to minimum pack quantity.

| Order No.    | $d_1$ | $l$ | $t$ | $d_2$ |
|--------------|-------|-----|-----|-------|
| 08221.AC0781 | 21    | 9   | 5   | 1/8"  |
| 08221.AC0783 | 21    | 9   | 5   | 1/4"  |
| 08221.AC0785 | 23    | 10  | 6   | 3/8"  |
| 08221.AC0787 | 28    | 12  | 6   | 1/2"  |
| 08221.AC0801 | 21    | 9   | 5   | M12   |
| 08221.AC0803 | 21    | 9   | 5   | M14   |
| 08221.AC0805 | 23    | 10  | 6   | M16   |
| 08221.AC0807 | 23    | 10  | 6   | M18   |
| 08221.AC0809 | 28    | 12  | 6   | M20   |
| 08221.AC0811 | 28    | 12  | 6   | M22   |