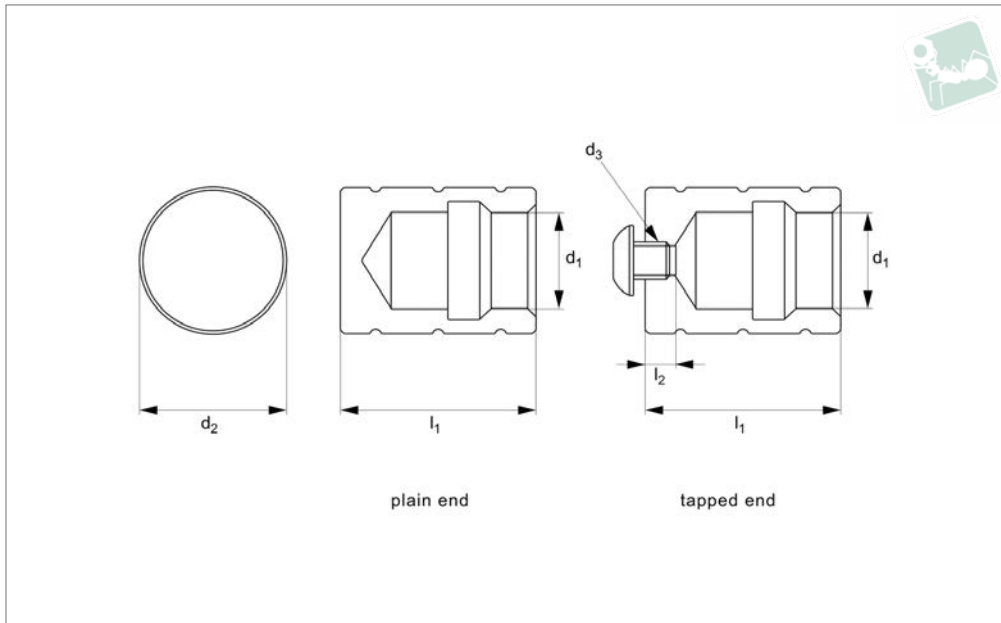




# End Caps - Metric - for Quick Release

stainless steel

## Lanyards



**LA1350**

LANYARDS

### Material

Stainless steel, AISI 303

### Technical Notes

Where the material receiving hole is out of tolerance or not round, end caps allow

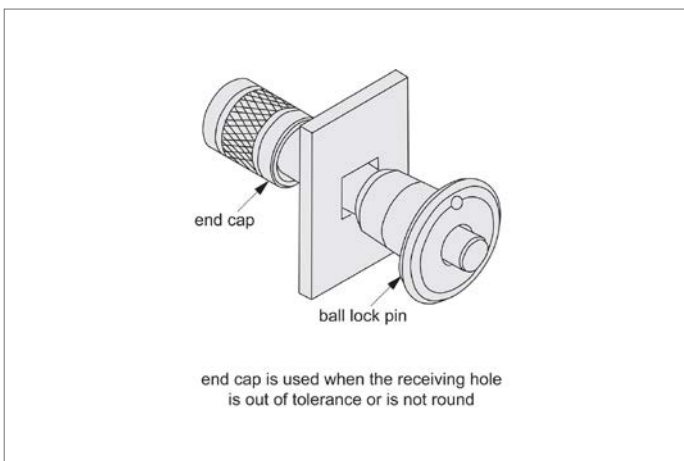
quick release pins still to be used to take advantage of quick component/material change. End caps with tapped end allow fixing of cap to application with lanyard, see part nos. L to LA1224, end caps are

otherwise installed loose.

### Important Notes

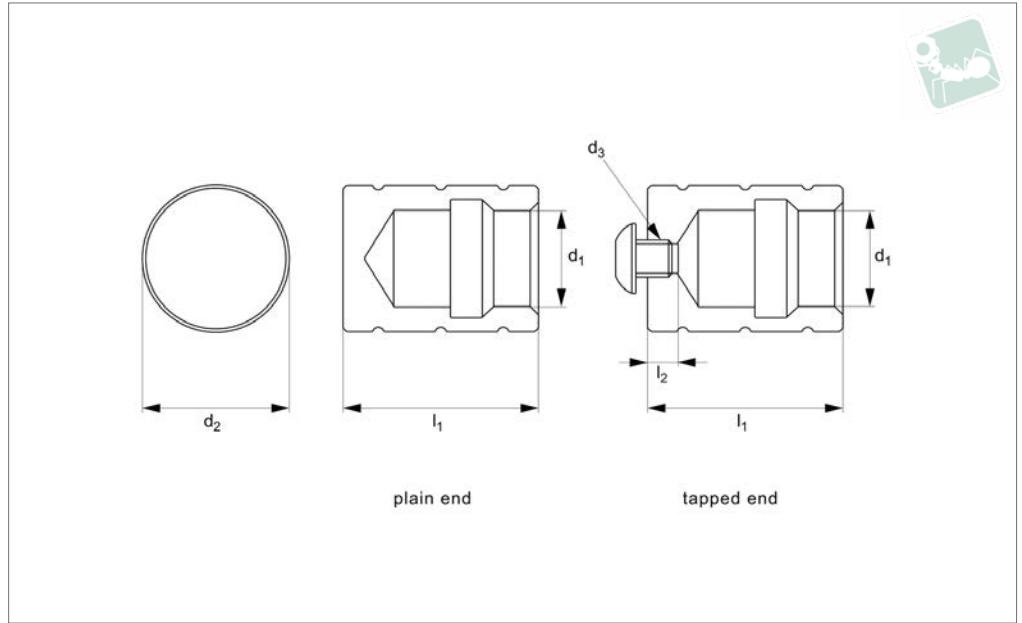
\*\*When used, end cap reduces the usable grip length of quick release pin, refer to 'Grip length reduction' value in data table.

Order No.	End type	$d_1$ pin dia. nom.	Grip length reduction	$d_2$	$d_3$	$l_1$	$l_2$ max.
LA1350.M05-P	Plain	5	3	9.53	-	14.73	-
LA1350.M06-P	Plain	6	3	9.53	-	14.73	-
LA1350.M08-P	Plain	8	3	12.70	-	15.88	-
LA1350.M10-P	Plain	10	5	14.29	-	18.54	-
LA1350.M12-P	Plain	12	6	19.05	-	25.40	-
LA1350.M16-P	Plain	16	6	25.40	-	31.75	-
LA1350.M05-T	Tapped	5	3	9.53	M5	14.73	3
LA1350.M06-T	Tapped	6	3	9.53	M5	14.73	3
LA1350.M08-T	Tapped	8	3	12.70	M5	15.88	3
LA1350.M10-T	Tapped	10	5	14.29	M5	18.54	4
LA1350.M12-T	Tapped	12	6	19.05	M5	25.40	4
LA1350.M16-T	Tapped	16	6	25.40	M6	31.75	5





## LA1355



### Material

Stainless steel, AISI 303

### Technical Notes

Where the material receiving hole is out of tolerance or not round, end caps allow

quick release pins still to be used to take advantage of quick component/material change. End caps with tapped end allow fixing of cap to application with lanyard, see part nos. L to LA1224, end caps are

otherwise installed loose.

### Important Notes

\*\*When used, end cap reduces the usable grip length of quick release pin, refer to 'Grip length reduction' value in data table.

Order No.	End type	$d_1$ pin dia. nom.	Grip length reduction	$d_2$	$d_3$	$l_1$	$l_2$ max.
LA1355.I18-P	Plain	3/16	.125	.375	-	.580	-
LA1355.I25-P	Plain	1/4	.125	.375	-	.580	-
LA1355.I31-P	Plain	5/16	.125	.500	-	.625	-
LA1355.I37-P	Plain	3/8	.187	.563	-	.730	-
LA1355.I50-P	Plain	1/2	.250	.750	-	1000	-
LA1355.I62-P	Plain	5/8	.250	1000	-	1250	-
LA1355.I18-T	Tapped	3/16	.125	.375	10-32	.580	.12
LA1355.I25-T	Tapped	1/4	.125	.375	10-32	.580	.12
LA1355.I31-T	Tapped	5/16	.125	.500	10-32	.625	.12
LA1355.I37-T	Tapped	3/8	.187	.563	10-32	.730	.18
LA1355.I50-T	Tapped	1/2	.250	.750	10-32	1000	.18
LA1355.I62-T	Tapped	5/8	.250	1000	1/4-28	1250	.18

