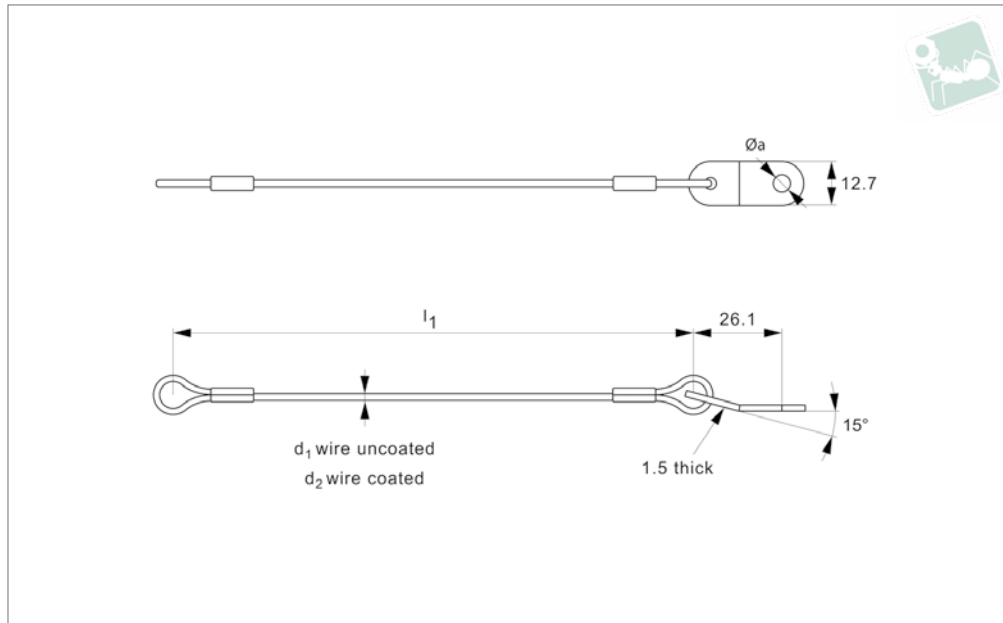




Lanyard - Loop to Rectangular Tab

tab stainless - crimps copper, zinc plated

Lanyards



LA1015

LANYARDS

Material

Wire rope: stainless steel 7x7 wire, RR-W-410.
 Coating (if present): vinyl (to MIL-I-631), see table.
 Crimps/Sleeves: Copper, Zinc plated (to MIL-51844).
 Tabs: stainless steel, 300 Series (ASTM AA240/A666)

strength, for unassembled, uncoated wire thickness $\text{Ø}d_1$:
 $\text{Ø}d_1$ of 1.2mm = 120kg approx.
 $\text{Ø}d_1$ of 1.6mm = 210kg approx.
 Load rating of assembled and crimped lanyard is based on crimp failure test of approx. 13kg.
 Temperature resistance:
 -Uncoated – up to + 250°c
 -Coated – 0°c to 80°c

lies, or to avoid items being misplaced. Special manufacture lanyards available on request, subject to minimum quantities. For our wide range of quick release pins see part nos. QR1004 through QR5590. For split rings see part no. LA1260.

Technical Notes

Rated wire strength, or min. breaking

Tips

For use in securing components to assemb-

Order No.	Vinyl coating	d_1 wire uncoated	l_1	d_2 wire coated	$\text{Ø} a$
LA1015.I04-152C1	Clear	1.19	152.4	1.59	5.1
LA1015.I04-203C1	Clear	1.19	203.2	1.59	5.1
LA1015.I04-254C1	Clear	1.19	254.0	1.59	5.1
LA1015.I04-304C1	Clear	1.19	304.8	1.59	5.1
LA1015.I04-152C2	Clear	1.19	152.4	1.59	7.1
LA1015.I04-203C2	Clear	1.19	203.2	1.59	7.1
LA1015.I04-254C2	Clear	1.19	254.0	1.59	7.1
LA1015.I04-304C2	Clear	1.19	304.8	1.59	7.1
LA1015.I06-152C1	Clear	1.59	152.4	3.18	5.1
LA1015.I06-203C1	Clear	1.59	203.2	3.18	5.1
LA1015.I06-254C1	Clear	1.59	254.0	3.18	5.1
LA1015.I06-304C1	Clear	1.59	304.8	3.18	5.1
LA1015.I06-152C2	Clear	1.59	152.4	3.18	7.1
LA1015.I06-203C2	Clear	1.59	203.2	3.18	7.1
LA1015.I06-254C2	Clear	1.59	254.0	3.18	7.1
LA1015.I06-304C2	Clear	1.59	304.8	3.18	7.1
LA1015.I04-152B1	Black	1.19	152.4	1.59	5.1
LA1015.I04-203B1	Black	1.19	203.2	1.59	5.1
LA1015.I04-254B1	Black	1.19	254.0	1.59	5.1
LA1015.I04-304B1	Black	1.19	304.8	1.59	5.1
LA1015.I04-152B2	Black	1.19	152.4	1.59	7.1
LA1015.I04-203B2	Black	1.19	203.2	1.59	7.1
LA1015.I04-254B2	Black	1.19	254.0	1.59	7.1
LA1015.I04-304B2	Black	1.19	304.8	1.59	7.1
LA1015.I06-152B1	Black	1.59	152.4	3.18	5.1



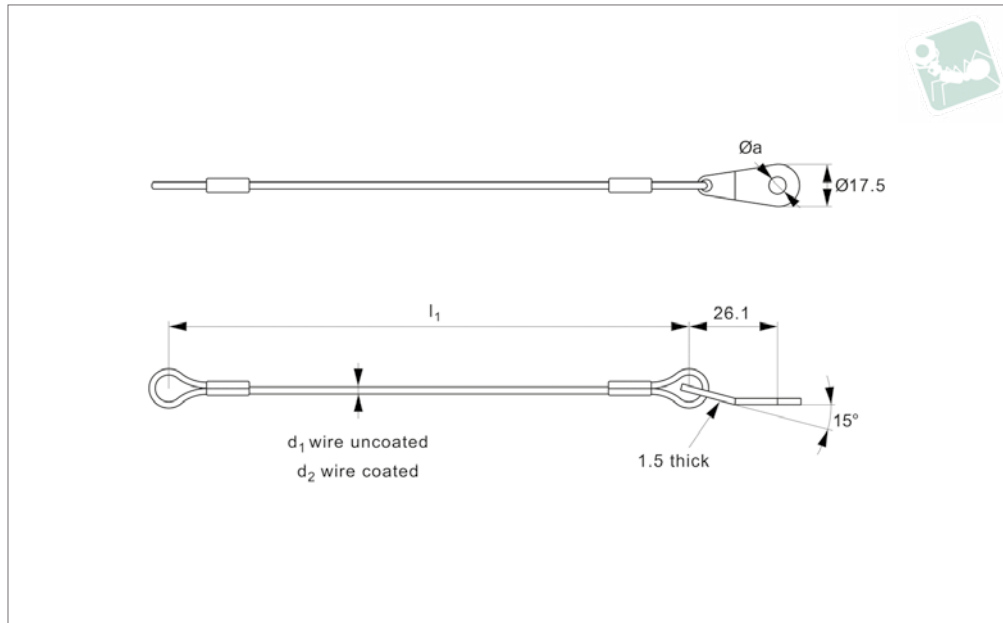
Order No.	Vinyl coating	d ₁ wire uncoated	l ₁	d ₂ wire coated	Ø a
LA1015.I06-203B1	Black	1.59	203.2	3.18	5.1
LA1015.I06-254B1	Black	1.59	254.0	3.18	5.1
LA1015.I06-304B1	Black	1.59	304.8	3.18	5.1
LA1015.I06-152B2	Black	1.59	152.4	3.18	7.1
LA1015.I06-203B2	Black	1.59	203.2	3.18	7.1
LA1015.I06-254B2	Black	1.59	254.0	3.18	7.1
LA1015.I06-304B2	Black	1.59	304.8	3.18	7.1
LA1015.I04-152G1	Green	1.19	152.4	1.59	5.1
LA1015.I04-203G1	Green	1.19	203.2	1.59	5.1
LA1015.I04-254G1	Green	1.19	254.0	1.59	5.1
LA1015.I04-304G1	Green	1.19	304.8	1.59	5.1
LA1015.I04-152G2	Green	1.19	152.4	1.59	7.1
LA1015.I04-203G2	Green	1.19	203.2	1.59	7.1
LA1015.I04-254G2	Green	1.19	254.0	1.59	7.1
LA1015.I04-304G2	Green	1.19	304.8	1.59	7.1
LA1015.I06-152G1	Green	1.59	152.4	3.18	5.1
LA1015.I06-203G1	Green	1.59	203.2	3.18	5.1
LA1015.I06-254G1	Green	1.59	254.0	3.18	5.1
LA1015.I06-304G1	Green	1.59	304.8	3.18	5.1
LA1015.I06-152G2	Green	1.59	152.4	3.18	7.1
LA1015.I06-203G2	Green	1.59	203.2	3.18	7.1
LA1015.I06-254G2	Green	1.59	254.0	3.18	7.1
LA1015.I06-304G2	Green	1.59	304.8	3.18	7.1
LA1015.I04-152N1	Uncoated	1.19	152.4	-	5.1
LA1015.I04-203N1	Uncoated	1.19	203.2	-	5.1
LA1015.I04-254N1	Uncoated	1.19	254.0	-	5.1
LA1015.I04-304N1	Uncoated	1.19	304.8	-	5.1
LA1015.I04-152N2	Uncoated	1.19	152.4	-	7.1
LA1015.I04-203N2	Uncoated	1.19	203.2	-	7.1
LA1015.I04-254N2	Uncoated	1.19	254.0	-	7.1
LA1015.I04-304N2	Uncoated	1.19	304.8	-	7.1
LA1015.I06-152N1	Uncoated	1.59	152.4	-	5.1
LA1015.I06-203N1	Uncoated	1.59	203.2	-	5.1
LA1015.I06-254N1	Uncoated	1.59	254.0	-	5.1
LA1015.I06-304N1	Uncoated	1.59	304.8	-	5.1
LA1015.I06-152N2	Uncoated	1.59	152.4	-	7.1
LA1015.I06-203N2	Uncoated	1.59	203.2	-	7.1
LA1015.I06-254N2	Uncoated	1.59	254.0	-	7.1
LA1015.I06-304N2	Uncoated	1.59	304.8	-	7.1



Lanyard - Loop to Teardrop Tab

tab and crimps stainless steel

Lanyards



LA1050

LANYARDS

Material

Wire rope: stainless steel 7x7 wire, RR-W-410.

Coating (if present): vinyl (to MIL-I-631), see table.

Crimps/sleeves: stainless steel (to MIL-51844).

Tabs: stainless steel, 300 Series (ASTM AA240/A666)

Technical Notes

Rated wire strength, or min. breaking

strength, for unassembled, uncoated wire thickness $\varnothing d_1$:

$\varnothing d_1$ of 1.2mm = 120kg approx.

$\varnothing d_1$ of 1.6mm = 210kg approx.

Load rating of assembled and crimped lanyard is based on crimp failure test of approx. 13kg.

Temperature resistance:

-Uncoated – up to + 250°c

-Coated – 0°c to 80°c

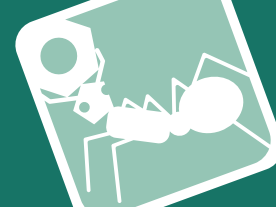
Tips

For use in securing components to assemblies, or to avoid items being misplaced.

Special manufacture lanyards available on request, subject to minimum quantities.

For our wide range of quick release pins see part nos. QR1004 through QR5590. For split rings see part no. LA1260.

Order No.	Vinyl coating	d_1 wire uncoated	l_1	d_2 wire coated	$\varnothing a$
LA1050.I04-152C1	Clear	1.19	152.4	1.59	5.1
LA1050.I04-203C1	Clear	1.19	203.2	1.59	5.1
LA1050.I04-254C1	Clear	1.19	254.0	1.59	5.1
LA1050.I04-304C1	Clear	1.19	304.8	1.59	5.1
LA1050.I04-152C2	Clear	1.19	152.4	1.59	7.1
LA1050.I04-203C2	Clear	1.19	203.2	1.59	7.1
LA1050.I04-254C2	Clear	1.19	254.0	1.59	7.1
LA1050.I04-304C2	Clear	1.19	304.8	1.59	7.1
LA1050.I06-152C1	Clear	1.59	152.4	3.18	5.1
LA1050.I06-203C1	Clear	1.59	203.2	3.18	5.1
LA1050.I06-254C1	Clear	1.59	254.0	3.18	5.1
LA1050.I06-304C1	Clear	1.59	304.8	3.18	5.1
LA1050.I06-152C2	Clear	1.59	152.4	3.18	7.1
LA1050.I06-203C2	Clear	1.59	203.2	3.18	7.1
LA1050.I06-254C2	Clear	1.59	254.0	3.18	7.1
LA1050.I06-304C2	Clear	1.59	304.8	3.18	7.1
LA1050.I04-152B1	Black	1.19	152.4	1.59	5.1
LA1050.I04-203B1	Black	1.19	203.2	1.59	5.1
LA1050.I04-254B1	Black	1.19	254.0	1.59	5.1
LA1050.I04-304B1	Black	1.19	304.8	1.59	5.1
LA1050.I04-152B2	Black	1.19	152.4	1.59	7.1
LA1050.I04-203B2	Black	1.19	203.2	1.59	7.1
LA1050.I04-254B2	Black	1.19	254.0	1.59	7.1
LA1050.I04-304B2	Black	1.19	304.8	1.59	7.1
LA1050.I06-152B1	Black	1.59	152.4	3.18	5.1
LA1050.I06-203B1	Black	1.59	203.2	3.18	5.1



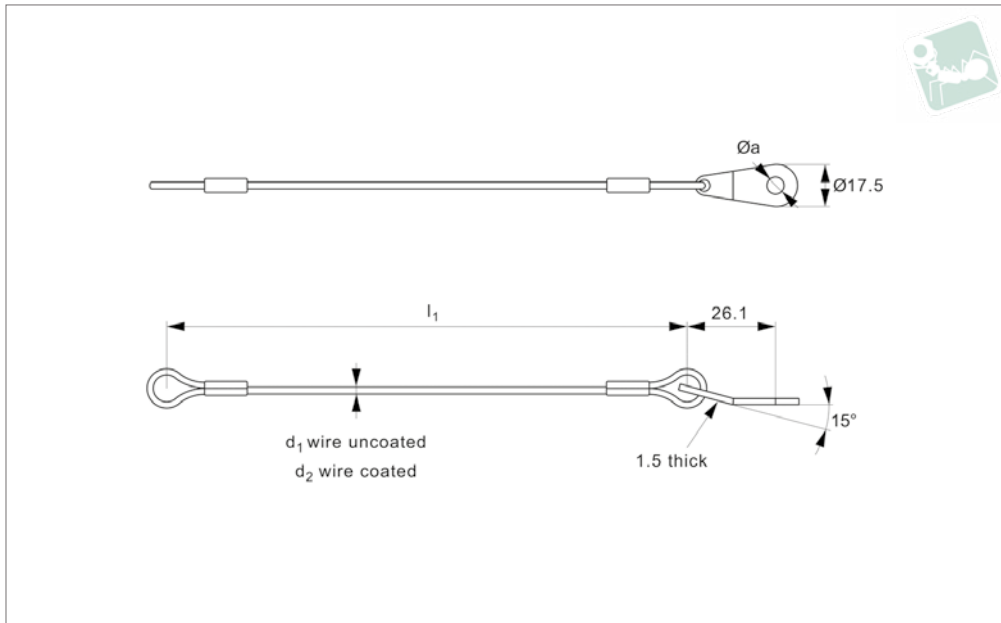
Order No.	Vinyl coating	d ₁ wire uncoated	l ₁	d ₂ wire coated	Ø a
LA1050.I06-254B1	Black	1.59	254.0	3.18	5.1
LA1050.I06-304B1	Black	1.59	304.8	3.18	5.1
LA1050.I06-152B2	Black	1.59	152.4	3.18	7.1
LA1050.I06-203B2	Black	1.59	203.2	3.18	7.1
LA1050.I06-254B2	Black	1.59	254.0	3.18	7.1
LA1050.I06-304B2	Black	1.59	304.8	3.18	7.1
LA1050.I04-152G1	Green	1.19	152.4	1.59	5.1
LA1050.I04-203G1	Green	1.19	203.2	1.59	5.1
LA1050.I04-254G1	Green	1.19	254.0	1.59	5.1
LA1050.I04-304G1	Green	1.19	304.8	1.59	5.1
LA1050.I04-152G2	Green	1.19	152.4	1.59	7.1
LA1050.I04-203G2	Green	1.19	203.2	1.59	7.1
LA1050.I04-254G2	Green	1.19	254.0	1.59	7.1
LA1050.I04-304G2	Green	1.19	304.8	1.59	7.1
LA1050.I06-152G1	Green	1.59	152.4	3.18	5.1
LA1050.I06-203G1	Green	1.59	203.2	3.18	5.1
LA1050.I06-254G1	Green	1.59	254.0	3.18	5.1
LA1050.I06-304G1	Green	1.59	304.8	3.18	5.1
LA1050.I06-152G2	Green	1.59	152.4	3.18	7.1
LA1050.I06-203G2	Green	1.59	203.2	3.18	7.1
LA1050.I06-254G2	Green	1.59	254.0	3.18	7.1
LA1050.I06-304G2	Green	1.59	304.8	3.18	7.1
LA1050.I04-152N1	Uncoated	1.19	152.4	-	5.1
LA1050.I04-203N1	Uncoated	1.19	203.2	-	5.1
LA1050.I04-254N1	Uncoated	1.19	254.0	-	5.1
LA1050.I04-304N1	Uncoated	1.19	304.8	-	5.1
LA1050.I04-152N2	Uncoated	1.19	152.4	-	7.1
LA1050.I04-203N2	Uncoated	1.19	203.2	-	7.1
LA1050.I04-254N2	Uncoated	1.19	254.0	-	7.1
LA1050.I04-304N2	Uncoated	1.19	304.8	-	7.1
LA1050.I06-152N1	Uncoated	1.59	152.4	-	5.1
LA1050.I06-203N1	Uncoated	1.59	203.2	-	5.1
LA1050.I06-254N1	Uncoated	1.59	254.0	-	5.1
LA1050.I06-304N1	Uncoated	1.59	304.8	-	5.1
LA1050.I06-152N2	Uncoated	1.59	152.4	-	7.1
LA1050.I06-203N2	Uncoated	1.59	203.2	-	7.1
LA1050.I06-254N2	Uncoated	1.59	254.0	-	7.1
LA1050.I06-304N2	Uncoated	1.59	304.8	-	7.1



Lanyard - Loop to Teardrop Tab

tab stainless - crimps copper, zinc plated

Lanyards



LA1055

LANYARDS

Material

Wire rope: stainless steel 7x7 wire, RR-W-410.

Coating (if present): vinyl (to MIL-I-631), see table.

Crimps/Sleeves: Copper, Zinc plated (to MIL-51844).

Tabs: stainless steel, 300 Series (ASTM AA240/A666)

Technical Notes

Rated wire strength, or min. breaking

strength, for unassembled, uncoated wire thickness $\text{Ø}d_1$:

$\text{Ø}d_1$ of 1.2mm = 120kg approx.

$\text{Ø}d_1$ of 1.6mm = 210kg approx.

Load rating of assembled and crimped lanyard is based on crimp failure test of approx. 13kg.

Temperature resistance:

-Uncoated – up to + 250°c

-Coated – 0°c to 80°c

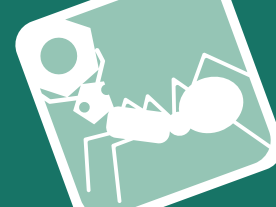
Tips

For use in securing components to assemblies, or to avoid items being misplaced.

Special manufacture lanyards available on request, subject to minimum quantities.

For our wide range of quick release pins see part nos. QR1004 through QR5590. For split rings see part no. LA1260.

Order No.	Vinyl coating	d_1 wire uncoated	l_1	d_2 wire coated	$\text{Ø} a$
LA1055.I04-152C1	Clear	1.19	152.4	1.59	5.1
LA1055.I04-203C1	Clear	1.19	203.2	1.59	5.1
LA1055.I04-254C1	Clear	1.19	254.0	1.59	5.1
LA1055.I04-304C1	Clear	1.19	304.8	1.59	5.1
LA1055.I04-152C2	Clear	1.19	152.4	1.59	7.1
LA1055.I04-203C2	Clear	1.19	203.2	1.59	7.1
LA1055.I04-254C2	Clear	1.19	254.0	1.59	7.1
LA1055.I04-304C2	Clear	1.19	304.8	1.59	7.1
LA1055.I06-152C1	Clear	1.59	152.4	3.18	5.1
LA1055.I06-203C1	Clear	1.59	203.2	3.18	5.1
LA1055.I06-254C1	Clear	1.59	254.0	3.18	5.1
LA1055.I06-304C1	Clear	1.59	304.8	3.18	5.1
LA1055.I06-152C2	Clear	1.59	152.4	3.18	7.1
LA1055.I06-203C2	Clear	1.59	203.2	3.18	7.1
LA1055.I06-254C2	Clear	1.59	254.0	3.18	7.1
LA1055.I06-304C2	Clear	1.59	304.8	3.18	7.1
LA1055.I04-152B1	Black	1.19	152.4	1.59	5.1
LA1055.I04-203B1	Black	1.19	203.2	1.59	5.1
LA1055.I04-254B1	Black	1.19	254.0	1.59	5.1
LA1055.I04-304B1	Black	1.19	304.8	1.59	5.1
LA1055.I04-152B2	Black	1.19	152.4	1.59	7.1
LA1055.I04-203B2	Black	1.19	203.2	1.59	7.1
LA1055.I04-254B2	Black	1.19	254.0	1.59	7.1
LA1055.I04-304B2	Black	1.19	304.8	1.59	7.1
LA1055.I06-152B1	Black	1.59	152.4	3.18	5.1
LA1055.I06-203B1	Black	1.59	203.2	3.18	5.1

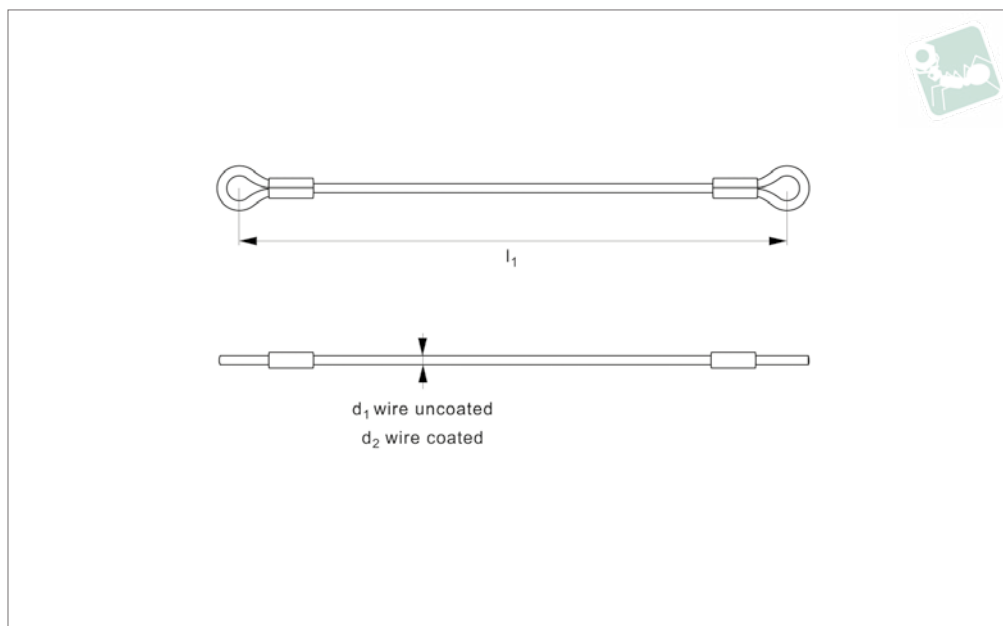


Order No.	Vinyl coating	d ₁ wire uncoated	l ₁	d ₂ wire coated	Ø a
LA1055.I06-254B1	Black	1.59	254.0	3.18	5.1
LA1055.I06-304B1	Black	1.59	304.8	3.18	5.1
LA1055.I06-152B2	Black	1.59	152.4	3.18	7.1
LA1055.I06-203B2	Black	1.59	203.2	3.18	7.1
LA1055.I06-254B2	Black	1.59	254.0	3.18	7.1
LA1055.I06-304B2	Black	1.59	304.8	3.18	7.1
LA1055.I04-152G1	Green	1.19	152.4	1.59	5.1
LA1055.I04-203G1	Green	1.19	203.2	1.59	5.1
LA1055.I04-254G1	Green	1.19	254.0	1.59	5.1
LA1055.I04-304G1	Green	1.19	304.8	1.59	5.1
LA1055.I04-152G2	Green	1.19	152.4	1.59	7.1
LA1055.I04-203G2	Green	1.19	203.2	1.59	7.1
LA1055.I04-254G2	Green	1.19	254.0	1.59	7.1
LA1055.I04-304G2	Green	1.19	304.8	1.59	7.1
LA1055.I06-152G1	Green	1.59	152.4	3.18	5.1
LA1055.I06-203G1	Green	1.59	203.2	3.18	5.1
LA1055.I06-254G1	Green	1.59	254.0	3.18	5.1
LA1055.I06-304G1	Green	1.59	304.8	3.18	5.1
LA1055.I06-152G2	Green	1.59	152.4	3.18	7.1
LA1055.I06-203G2	Green	1.59	203.2	3.18	7.1
LA1055.I06-254G2	Green	1.59	254.0	3.18	7.1
LA1055.I06-304G2	Green	1.59	304.8	3.18	7.1
LA1055.I04-152N1	Uncoated	1.19	152.4	-	5.1
LA1055.I04-203N1	Uncoated	1.19	203.2	-	5.1
LA1055.I04-254N1	Uncoated	1.19	254.0	-	5.1
LA1055.I04-304N1	Uncoated	1.19	304.8	-	5.1
LA1055.I04-152N2	Uncoated	1.19	152.4	-	7.1
LA1055.I04-203N2	Uncoated	1.19	203.2	-	7.1
LA1055.I04-254N2	Uncoated	1.19	254.0	-	7.1
LA1055.I04-304N2	Uncoated	1.19	304.8	-	7.1
LA1055.I06-152N1	Uncoated	1.59	152.4	-	5.1
LA1055.I06-203N1	Uncoated	1.59	203.2	-	5.1
LA1055.I06-254N1	Uncoated	1.59	254.0	-	5.1
LA1055.I06-304N1	Uncoated	1.59	304.8	-	5.1
LA1055.I06-152N2	Uncoated	1.59	152.4	-	7.1
LA1055.I06-203N2	Uncoated	1.59	203.2	-	7.1
LA1055.I06-254N2	Uncoated	1.59	254.0	-	7.1
LA1055.I06-304N2	Uncoated	1.59	304.8	-	7.1

Lanyard - Loop to Loop

crimps copper, zinc plated

Lanyards



LA1065

LANYARDS

Material

Wire rope: stainless steel 7x7 wire, RR-W-410.

Coating (if present): vinyl (to MIL-I-631), see table.

Crimps/sleeves: Copper, Zinc plated (to MIL-51844).

Technical Notes

Rated wire strength, or min. breaking

strength, for unassembled, uncoated wire thickness $\varnothing d_1$:

$\varnothing d_1$ of 1.2mm = 120kg approx.

$\varnothing d_1$ of 1.6mm = 210kg approx.

Load rating of assembled and crimped lanyard is based on crimp failure test of approx. 13kg.

Temperature resistance:

-Uncoated – up to + 250°c

-Coated – 0°c to 80°c

Tips

For use in securing components to assemblies, or to avoid items being misplaced.

Special manufacture lanyards available on request, subject to minimum quantities.

For our wide range of quick release pins see part nos. QR1004 through QR5590. For split rings see part no. LA1260.

Order No.	Vinyl coating	d_1 wire uncoated	l_1	d_2 wire coated
LA1065.I04-152C1	Clear	1.19	152.4	1.59
LA1065.I04-203C1	Clear	1.19	203.2	1.59
LA1065.I04-254C1	Clear	1.19	254.0	1.59
LA1065.I04-304C1	Clear	1.19	304.8	1.59
LA1065.I06-152C1	Clear	1.59	152.4	3.18
LA1065.I06-203C1	Clear	1.59	203.2	3.18
LA1065.I06-254C1	Clear	1.59	254.0	3.18
LA1065.I06-304C1	Clear	1.59	304.8	3.18
LA1065.I04-152B1	Black	1.19	152.4	1.59
LA1065.I04-203B1	Black	1.19	203.2	1.59
LA1065.I04-254B1	Black	1.19	254.0	1.59
LA1065.I04-303B1	Black	1.19	304.8	1.59
LA1065.I06-152B1	Black	1.59	152.4	3.18
LA1065.I06-203B1	Black	1.59	203.2	3.18
LA1065.I06-254B1	Black	1.59	254.0	3.18
LA1065.I06-304B1	Black	1.59	304.8	3.18
LA1065.I04-152G1	Green	1.19	152.4	1.59
LA1065.I04-203G1	Green	1.19	203.2	1.59
LA1065.I04-254G1	Green	1.19	254.0	1.59
LA1065.I04-304G1	Green	1.19	304.8	1.59
LA1065.I06-152G1	Green	1.59	152.4	3.18
LA1065.I06-203G1	Green	1.59	203.2	3.18
LA1065.I06-254G1	Green	1.59	254.0	3.18
LA1065.I06-304G1	Green	1.59	304.8	3.18
LA1065.I04-152N1	Uncoated	1.19	152.4	-
LA1065.I04-203N1	Uncoated	1.19	203.2	-
LA1065.I04-254N1	Uncoated	1.19	254.0	-
LA1065.I04-304N1	Uncoated	1.19	304.8	-

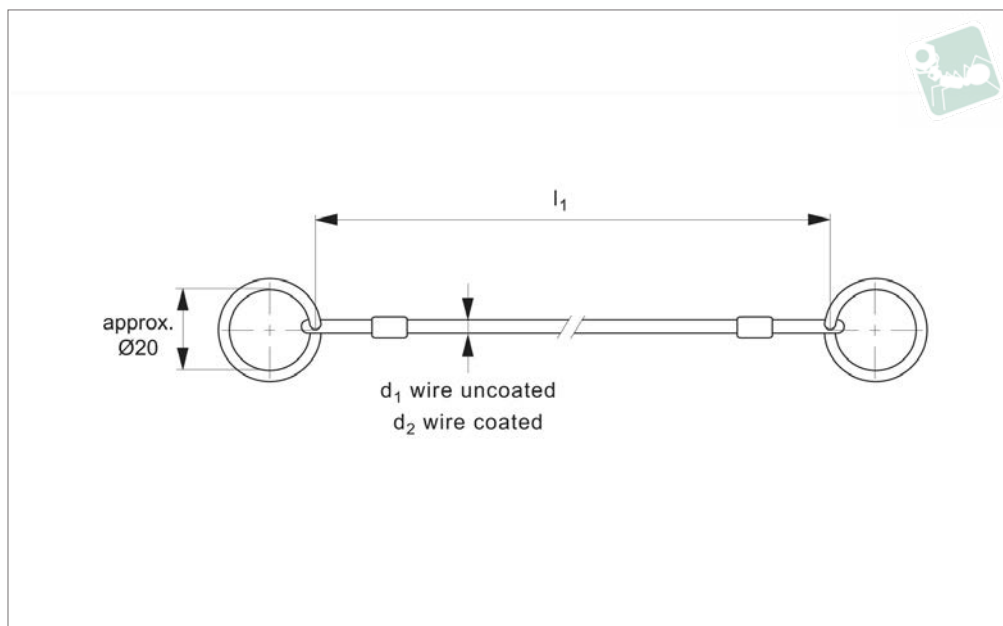


Order No.	Vinyl coating	d ₁ wire uncoated	l ₁	d ₂ wire coated
LA1065.I06-152N1	Uncoated	1.59	152.4	-
LA1065.I06-203N1	Uncoated	1.59	203.2	-
LA1065.I06-254N1	Uncoated	1.59	254.0	-
LA1065.I06-304N1	Uncoated	1.59	304.8	-



Lanyard - Loop to Loop with split rings - crimps stainless

Lanyards



LA1066

LANYARDS

Material

Wire rope: stainless steel
Coating (if present): PA6 see table.
Crimps /sleeves: stainless steel
Split rings: stainless steel

Technical Notes

Crimps tested to failure at 28 Kgf. Tempe-

perature range: up to 250°C (uncoated)

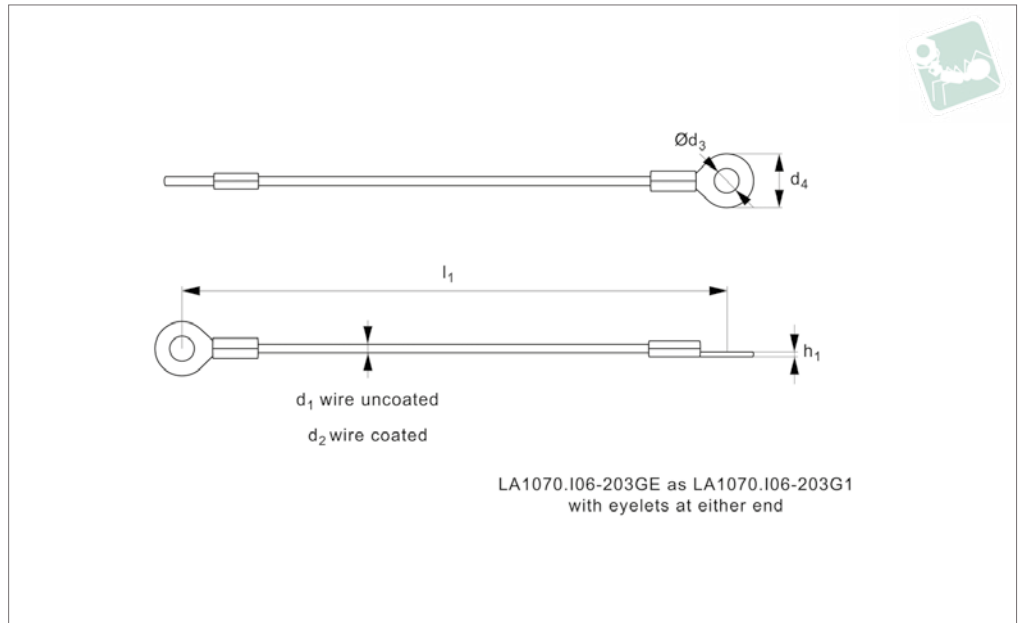
Tips

For use in securing components to assemblies, or to avoid items being misplaced. For our wide range of quick release pins nos. 33060 through 33226.

Order No.	Coating	d ₁ wire uncoated	l ₁	d ₂ wire coated	Weight g
LA1066.M015-150B	Black	1.5	150	2.2	6.5
LA1066.M015-200B	Black	1.5	200	2.2	6.4
LA1066.M015-300B	Black	1.5	300	2.2	7.5
LA1066.M015-150C	Clear	1.5	150	2.2	6.5
LA1066.M015-200C	Clear	1.5	200	2.2	6.4
LA1066.M015-300C	Clear	1.5	300	2.2	7.5
LA1066.M015-150N	Uncoated	1.5	150	-	6.5
LA1066.M015-200N	Uncoated	1.5	200	-	6.4
LA1066.M015-300N	Uncoated	1.5	300	-	7.5



LA1070



Material

Wire rope: stainless steel 7x7 wire, RR-W-410.

Coating (if present): vinyl (to MIL-I-631), see table.

Crimps/sleeves: stainless steel (to MIL-51844).

Technical Notes

Rated wire strength, or min. breaking

strength, for unassembled, uncoated wire thickness $\varnothing d_1$:

$\varnothing d_1$ of 1.2mm = 120kg approx.

$\varnothing d_1$ of 1.6mm = 210kg approx.

Load rating of assembled and crimped lanyard is based on crimp failure test of approx. 13kg.

Temperature resistance:

-Uncoated – up to + 250°C

-Coated – 0°C to 80°C

Tips

For use in securing components to assemblies, or to avoid items being misplaced. Special manufacture lanyards available on request, subject to minimum quantities.

For our wide range of quick release pins see part nos. QR1004 through QR5590. For split rings see part no. LA1260.

Order No.	Vinyl coating	d_1 wire uncoated	l_1	d_2 wire coated	$\varnothing d_3$	$\varnothing d_4$	h_1
LA1070.I04-152C1	Clear	1.19	152.4	1.59	5.08	8.38	1.01
LA1070.I04-203C1	Clear	1.19	203.2	1.59	5.08	8.38	1.01
LA1070.I04-254C1	Clear	1.19	254.0	1.59	5.08	8.38	1.01
LA1070.I04-304C1	Clear	1.19	304.8	1.59	5.08	8.38	1.01
LA1070.I06-152C1	Clear	1.16	152.4	3.18	5.08	10.41	1.52
LA1070.I06-203C1	Clear	1.16	203.2	3.18	5.08	10.41	1.52
LA1070.I06-254C1	Clear	1.16	254.0	3.18	5.08	10.41	1.52
LA1070.I06-304C1	Clear	1.16	304.8	3.18	5.08	10.41	1.52
LA1070.I04-152B1	Black	1.19	152.4	1.59	5.08	8.38	1.01
LA1070.I04-203B1	Black	1.19	203.2	1.59	5.08	8.38	1.01
LA1070.I04-254B1	Black	1.19	254.0	1.59	5.08	8.38	1.01
LA1070.I04-304B1	Black	1.19	304.8	1.59	5.08	8.38	1.01
LA1070.I06-152B1	Black	1.16	152.4	3.18	5.08	10.41	1.52
LA1070.I06-203B1	Black	1.16	203.2	3.18	5.08	10.41	1.52
LA1070.I06-254B1	Black	1.16	254.0	3.18	5.08	10.41	1.52
LA1070.I06-304B1	Black	1.16	304.8	3.18	5.08	10.41	1.52
LA1070.I04-152G1	Green	1.19	152.4	1.59	5.08	8.38	1.01
LA1070.I04-203G1	Green	1.19	203.2	1.59	5.08	8.38	1.01
LA1070.I04-254G1	Green	1.19	254.0	1.59	5.08	8.38	1.01
LA1070.I04-304G1	Green	1.19	304.8	1.59	5.08	8.38	1.01
LA1070.I06-152G1	Green	1.16	152.4	3.18	5.08	10.41	1.52
LA1070.I06-203G1	Green	1.16	203.2	3.18	5.08	10.41	1.52
LA1070.I06-254G1	Green	1.16	254.0	3.18	5.08	10.41	1.52
LA1070.I06-304G1	Green	1.16	304.8	3.18	5.08	10.41	1.52
LA1070.I04-152N1	Uncoated	1.19	152.4	-	5.08	8.38	1.01
LA1070.I04-203N1	Uncoated	1.19	203.2	-	5.08	8.38	1.01
LA1070.I04-254N1	Uncoated	1.19	254.0	-	5.08	8.38	1.01
LA1070.I04-304N1	Uncoated	1.19	304.8	-	5.08	8.38	1.01



Lanyard - Loop to Eyelet

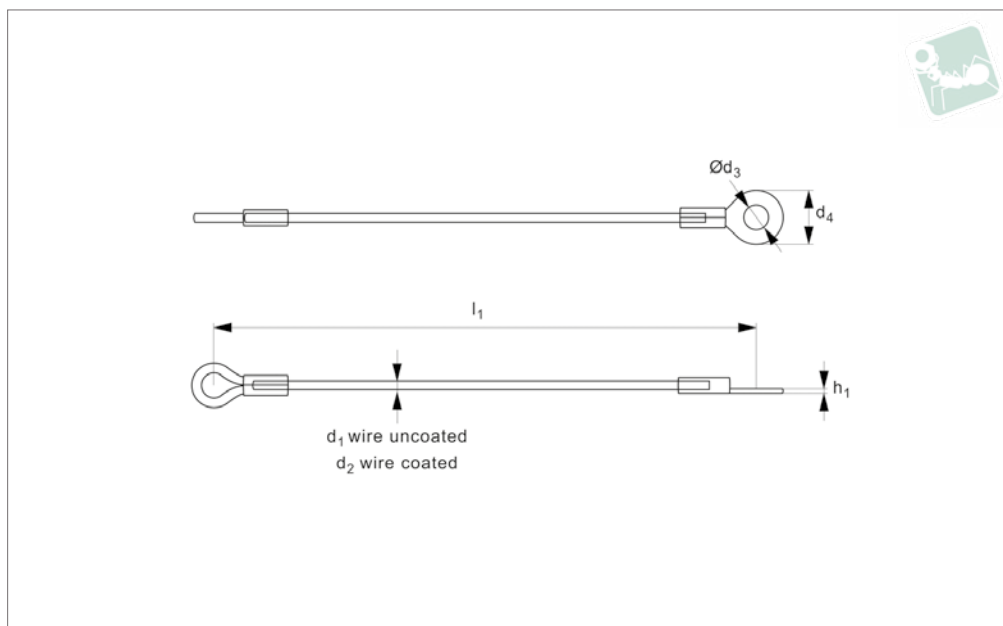
crimps stainless steel

Lanyards

Order No.	Vinyl coating	d ₁ wire uncoated	l ₁	d ₂ wire coated	Ø d ₃	Ø d ₄	h ₁
LA1070.I06-152N1	Uncoated	1.16	152.4	-	5.08	10.41	1.52
LA1070.I06-203N1	Uncoated	1.16	203.2	-	5.08	10.41	1.52
LA1070.I06-254N1	Uncoated	1.16	254.0	-	5.08	10.41	1.52
LA1070.I06-304N1	Uncoated	1.16	304.8	-	5.08	10.41	1.52



LA1075



Material

Wire rope: stainless steel 7x7 wire, RR-W-410.

Coating (if present): vinyl (to MIL-I-631), see table.

Crimps/Sleeves: Copper, Zinc plated (to MIL-51844).

Tabs: stainless steel, 300 Series (ASTM A240/A666)

Technical Notes

Rated wire strength, or min. breaking

strength, for unassembled, uncoated wire thickness $\varnothing d_1$:

$\varnothing d_1$ of 1.2mm = 120kg approx.

$\varnothing d_1$ of 1.6mm = 210kg approx.

Load rating of assembled and crimped lanyard is based on crimp failure test of approx. 13kg.

Temperature resistance:

-Uncoated – up to + 250°C

-Coated – 0°C to 80°C

Tips

For use in securing components to assemblies, or to avoid items being misplaced.

Special manufacture lanyards available on request, subject to minimum quantities.

For our wide range of quick release pins see part nos. QR1004 through QR5590. For split rings see part no. LA1260.

Order No.	Vinyl coating	d ₁ wire uncoated	l ₁	d ₂ wire coated	Ø d ₃	Ø d ₄	h ₁
LA1075.I04-152C1	Clear	1.19	152.4	1.59	5.08	8.38	1.01
LA1075.I04-203C1	Clear	1.19	203.2	1.59	5.08	8.38	1.01
LA1075.I04-254C1	Clear	1.19	254.0	1.59	5.08	8.38	1.01
LA1075.I04-304C1	Clear	1.19	304.8	1.59	5.08	8.38	1.01
LA1075.I06-152C1	Clear	1.59	152.4	3.18	5.08	10.41	1.52
LA1075.I06-203C1	Clear	1.59	203.2	3.18	5.08	10.41	1.52
LA1075.I06-254C1	Clear	1.59	254.0	3.18	5.08	10.41	1.52
LA1075.I06-304C1	Clear	1.59	304.8	3.18	5.08	10.41	1.52
LA1075.I04-152B1	Black	1.19	152.4	1.59	5.08	8.38	1.01
LA1075.I04-203B1	Black	1.19	203.2	1.59	5.08	8.38	1.01
LA1075.I04-254B1	Black	1.19	254.0	1.59	5.08	8.38	1.01
LA1075.I04-304B1	Black	1.19	304.8	1.59	5.08	8.38	1.01
LA1075.I06-152B1	Black	1.59	152.4	3.18	5.08	10.41	1.52
LA1075.I06-203B1	Black	1.59	203.2	3.18	5.08	10.41	1.52
LA1075.I06-254B1	Black	1.59	254.0	3.18	5.08	10.41	1.52
LA1075.I06-304B1	Black	1.59	304.8	3.18	5.08	10.41	1.52
LA1075.I04-152G1	Green	1.19	152.4	1.59	5.08	8.38	1.01
LA1075.I04-203G1	Green	1.19	203.2	1.59	5.08	8.38	1.01
LA1075.I04-254G1	Green	1.19	254.0	1.59	5.08	8.38	1.01
LA1075.I04-304G1	Green	1.19	304.8	1.59	5.08	8.38	1.01
LA1075.I06-152G1	Green	1.59	152.4	3.18	5.08	10.41	1.52
LA1075.I06-203G1	Green	1.59	203.2	3.18	5.08	10.41	1.52
LA1075.I06-254G1	Green	1.59	254.0	3.18	5.08	10.41	1.52
LA1075.I06-304G1	Green	1.59	304.8	3.18	5.08	10.41	1.52
LA1075.I04-152N1	Uncoated	1.19	152.4	-	5.08	8.38	1.01
LA1075.I04-203N1	Uncoated	1.19	203.2	-	5.08	8.38	1.01

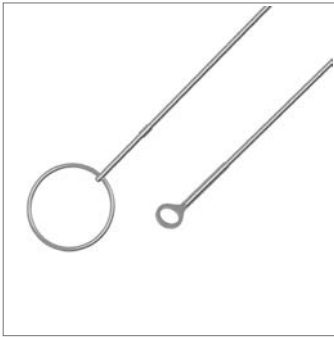


Lanyard - Loop to Eyelet

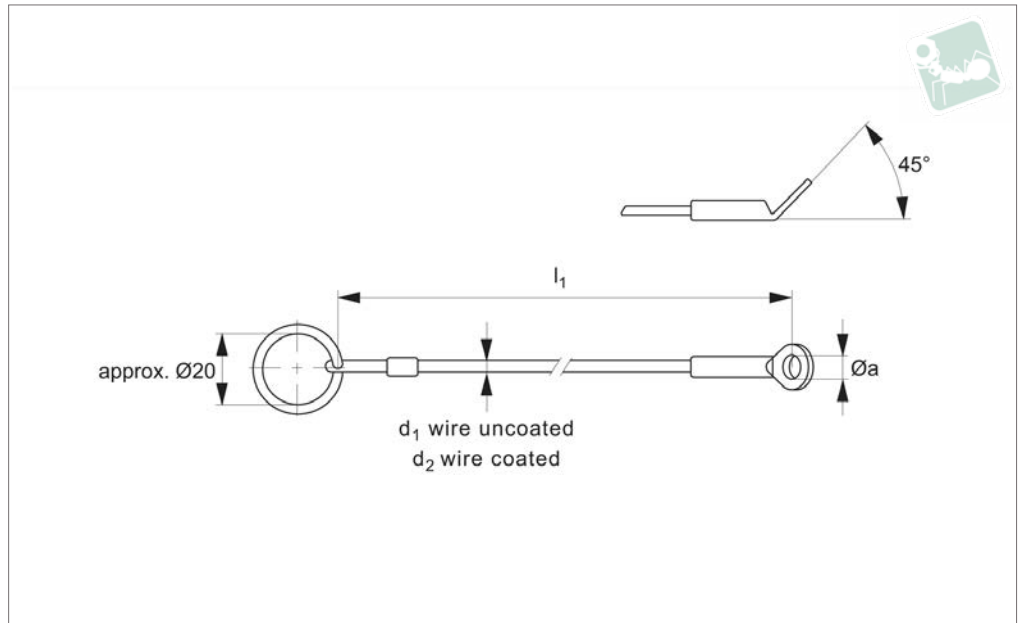
crimps copper, zinc plated

Lanyards

Order No.	Vinyl coating	d ₁ wire uncoated	l ₁	d ₂ wire coated	Ø d ₃	Ø d ₄	h ₁
LA1075.I04-254N1	Uncoated	1.19	254.0	-	5.08	8.38	1.01
LA1075.I04-304N1	Uncoated	1.19	304.8	-	5.08	8.38	1.01
LA1075.I06-152N1	Uncoated	1.59	152.4	-	5.08	10.41	1.52
LA1075.I06-203N1	Uncoated	1.59	203.2	-	5.08	10.41	1.52
LA1075.I06-254N1	Uncoated	1.59	254.0	-	5.08	10.41	1.52
LA1075.I06-304N1	Uncoated	1.59	304.8	-	5.08	10.41	1.52



LA1076



Material

Wire rope: stainless steel.
Coating (if present): PA6, see table.
Crimps /sleeves: stainless steel.
Eyelet and split ring: stainless steel.

Technical Notes

Crimps tested for failure at 28 Kgf. Tempe-

perature range: up to 250°C (uncoated).

Tips

For use in securing components to assemblies, or to avoid items being misplaced. For our wide range of quick release pins nos. 33060 through 33226.

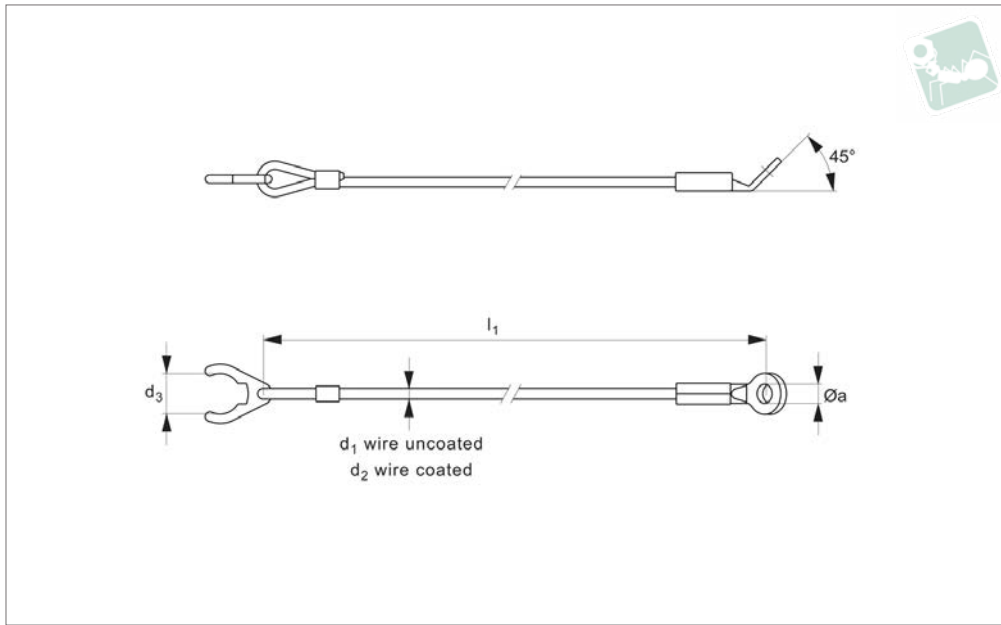
Order No.	Coating	d ₁ wire uncoated	l ₁	Ø a	d ₂ wire uncoated	Weight g
LA1076.M015-150B	Black	1.5	150	4.8	2.0	6.9
LA1076.M015-200B	Black	1.5	200	4.8	2.0	7.6
LA1076.M015-300B	Black	1.5	300	4.8	2.0	8.6
LA1076.M015-150C	Clear	1.5	150	4.8	2.0	6.9
LA1076.M015-200C	Clear	1.5	200	4.8	2.0	7.6
LA1076.M015-300C	Clear	1.5	300	4.8	2.0	8.6
LA1076.M015-150N	Uncoated	1.5	150	4.8	2.0	6.9
LA1076.M015-200N	Uncoated	1.5	200	4.8	2.0	7.6
LA1076.M015-300N	Uncoated	1.5	300	4.8	2.0	8.6



Lanyard - Circlip End to Eyelet

stainless steel

Lanyards



LA1094

LANYARDS

Material

Wire rope: stainless steel.
Coating (if present): PVC, see table.
Eyelet, circlip end and split ring: stainless steel.

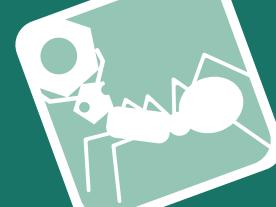
Technical Notes

Designed specifically to hold ball lock pin 33194.

Important Notes

Assemble by attaching holding clips to the ball lock pin with a soft-face mallet, disassemble via levering off with a screw driver.

Order No.	Coating	d ₁ wire uncoated	l ₁	Ø a	d ₂ wire coated	d ₅ for use with part no. 33914 of pin dia d ₁	Weight g
LA1094.M106-150C	Clear	1.5	150	4.8	2.0	5/ 6	6.0
LA1094.M106-200C	Clear	1.5	200	4.8	2.0	5/ 6	7.0
LA1094.M106-300C	Clear	1.5	300	4.8	2.0	5/ 6	8.0
LA1094.M110-150C	Clear	1.5	150	2.0	4.8	8/10	7.0
LA1094.M110-200C	Clear	1.5	200	4.8	2.0	8/10	8.0
LA1094.M110-300C	Clear	1.5	200	4.8	2.0	8/10	9.0
LA1094.M116-150C	Clear	1.5	150	4.8	2.0	12/16	8.0
LA1094.M116-200C	Clear	1.5	200	4.8	2.0	12/16	9.0
LA1094.M116-300C	Clear	1.5	300	4.8	2.0	12/16	10.0
LA1094.M125-150C	Clear	1.5	150	4.8	2.0	20/25	12.0
LA1094.M125-200C	Clear	1.5	200	4.8	2.0	20/25	13.0
LA1094.M125-300C	Clear	1.5	300	4.8	2.0	20/25	14.0
LA1094.M106-150B	Black	1.5	150	4.8	2.0	5/ 6	6.0
LA1094.M106-200B	Black	1.5	200	4.8	2.0	5/ 6	7.0
LA1094.M106-300B	Black	1.5	300	4.8	2.0	5/ 6	8.0
LA1094.M110-150B	Black	1.5	150	4.8	2.0	8/10	7.0
LA1094.M110-200B	Black	1.5	200	4.8	2.0	8/10	8.0
LA1094.M110-300B	Black	1.5	300	4.8	2.0	8/10	9.0
LA1094.M116-150B	Black	1.5	150	4.8	2.0	12/16	8.0
LA1094.M116-200B	Black	1.5	200	4.8	2.0	12/16	9.0
LA1094.M116-300B	Black	1.5	300	4.8	2.0	12/16	10.0
LA1094.M125-150B	Black	1.5	150	4.8	2.0	20/25	12.0
LA1094.M125-200B	Black	1.5	200	4.8	2.0	20/25	13.0
LA1094.M125-300B	Black	1.5	300	4.8	2.0	20/25	14.0
LA1094.M106-150N	Uncoated	1.5	150	4.8	-	5/ 6	6.0
LA1094.M106-200N	Uncoated	1.5	200	4.8	-	5/ 6	7.0
LA1094.M106-300N	Uncoated	1.5	300	4.8	-	5/ 6	8.0
LA1094.M110-150N	Uncoated	1.5	150	4.8	-	8/10	7.0
LA1094.M110-200N	Uncoated	1.5	200	4.8	-	8/10	8.0
LA1094.M110-300N	Uncoated	1.5	300	4.8	-	8/10	9.0
LA1094.M116-150N	Uncoated	1.5	150	4.8	-	12/16	8.0
LA1094.M116-200N	Uncoated	1.5	200	4.8	-	12/16	9.0
LA1094.M116-300N	Uncoated	1.5	300	4.8	-	12/16	10.0

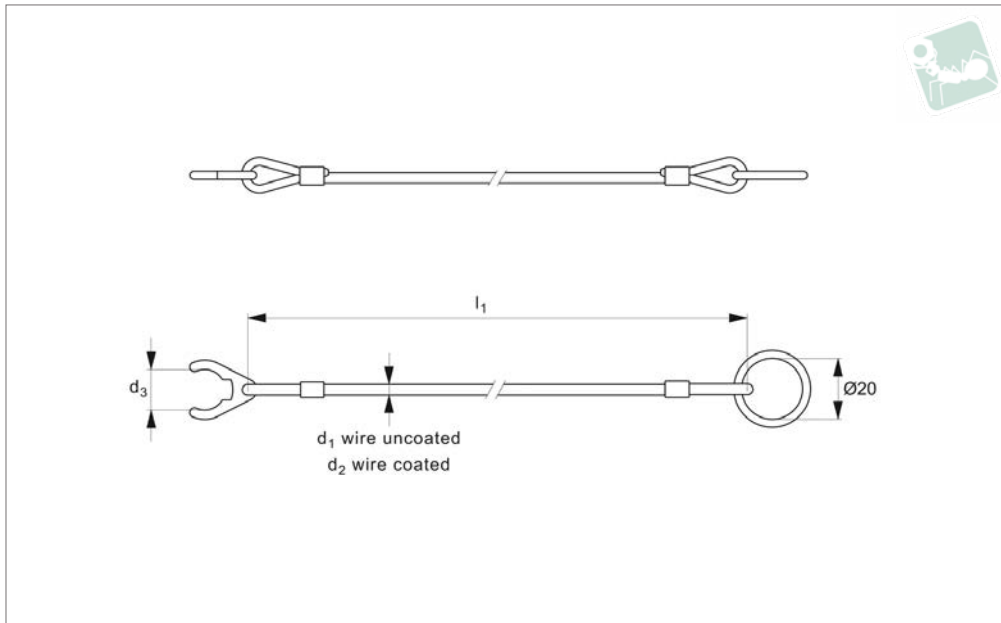


Order No.	Coating	d ₁ wire uncoated	l ₁	Ø a	d ₂ wire coated	d ₅ for use with part no. 33914 of pin dia d ₁	Weight g
LA1094.M125-150N	Uncoated	1.5	150	4.8	-	20/25	12.0
LA1094.M125-200N	Uncoated	1.5	200	4.8	-	20/25	13.0
LA1094.M125-300N	Uncoated	1.5	300	4.8	-	20/25	14.0



Lanyard - Circlip End to Loop with crimps brass, tabs stainless steel, for ball lock pins

Lanyards



LA1096

LANYARDS

Material

Wire rope: stainless steel.
 Coating (if present): PA6, see table.
 Crimps/sleeves: brass.
 Circlip end and split ring: stainless steel.

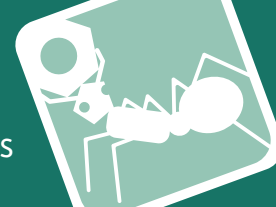
Technical Notes

Designed specifically to hold ball lock pin 33194.

Important Notes

Assemble by attaching holding clips to the ball lock pin with a soft-face mallet, disassemble via levering off with a screw driver.

Order No.	Coating	d ₁ wire uncoated	l ₁	d ₂ wire coated	d ₃ for use with part no. 33914 of pin dia d ₁	Weight g
LA1096.M106-150C	Clear	1.5	150	2.0	5/6	6.3
LA1096.M106-200C	Clear	1.5	150	2.0	8/10	7.2
LA1096.M106-300C	Clear	1.5	150	2.0	12/16	8.4
LA1096.M110-150C	Clear	1.5	150	2.0	20/25	11
LA1096.M110-200C	Clear	1.5	200	2.0	5/6	6.9
LA1096.M110-300C	Clear	1.5	200	2.0	8/10	7.8
LA1096.M116-150C	Clear	1.5	200	2.0	12/16	9.0
LA1096.M116-200C	Clear	1.5	200	2.0	20/25	12
LA1096.M116-300C	Clear	1.5	300	2.0	5/6	8.2
LA1096.M125-150C	Clear	1.5	300	2.0	8/10	9.0
LA1096.M125-200C	Clear	1.5	300	2.0	12/16	10
LA1096.M125-300C	Clear	1.5	300	2.0	20/25	13
LA1096.M106-150B	Black	1.5	150	2.0	5/6	6.3
LA1096.M106-200B	Black	1.5	150	2.0	8/10	7.3
LA1096.M106-300B	Black	1.5	150	2.0	12/16	8.4
LA1096.M110-150B	Black	1.5	150	2.0	20/25	11
LA1096.M110-200B	Black	1.5	200	2.0	5/6	7.0
LA1096.M110-300B	Black	1.5	200	2.0	8/10	7.8
LA1096.M116-150B	Black	1.5	200	2.0	12/16	9.0
LA1096.M116-200B	Black	1.5	200	2.0	20/25	12
LA1096.M116-300B	Black	1.5	300	2.0	5/6	8.2
LA1096.M125-150B	Black	1.5	300	2.0	8/10	9.0
LA1096.M125-200B	Black	1.5	300	2.0	12/16	10
LA1096.M125-300B	Black	1.5	300	2.0	20/25	13
LA1096.M106-150N	Uncoated	1.5	150	-	5/6	5.9
LA1096.M106-200N	Uncoated	1.5	150	-	8/10	6.8
LA1096.M106-300N	Uncoated	1.5	150	-	12/16	8.0
LA1096.M110-150N	Uncoated	1.5	150	-	20/25	11
LA1096.M110-200N	Uncoated	1.5	200	-	5/6	6.4
LA1096.M110-300N	Uncoated	1.5	200	-	8/10	7.3
LA1096.M116-150N	Uncoated	1.5	200	-	12/16	8.5
LA1096.M116-200N	Uncoated	1.5	200	-	20/25	12
LA1096.M116-300N	Uncoated	1.5	300	-	5/6	7.4



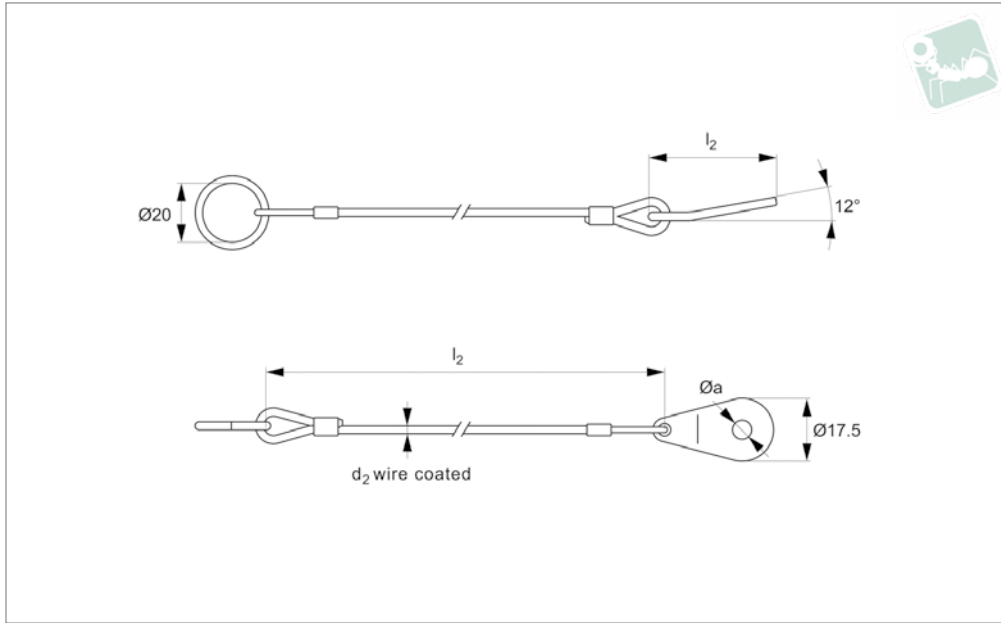
Order No.	Coating	d ₁ wire uncoated	l ₁	d ₂ wire coated	d ₃ for use with part no. 33914 of pin dia d ₁	Weight g
LA1096.M125-150N	Uncoated	1.5	300	-	8/10	8.6
LA1096.M125-200N	Uncoated	1.5	300	-	12/16	9.5
LA1096.M125-300N	Uncoated	1.5	300	-	20/25	13



Lanyard - Ring to Teardrop Tab

crimps brass - tab stainless steel

Lanyards



LA1052

LANYARDS

Material

Wire rope: stainless steel.
 Coating: thermoplastic, PA6, green
 Crimps: brass, zinc plated.
 Tabs: stainless steel
 Split ring: stainless steel.

Technical Notes

Temperature range +80°C.

our wide range of quick release pins nos. QR1004 through QR5590.

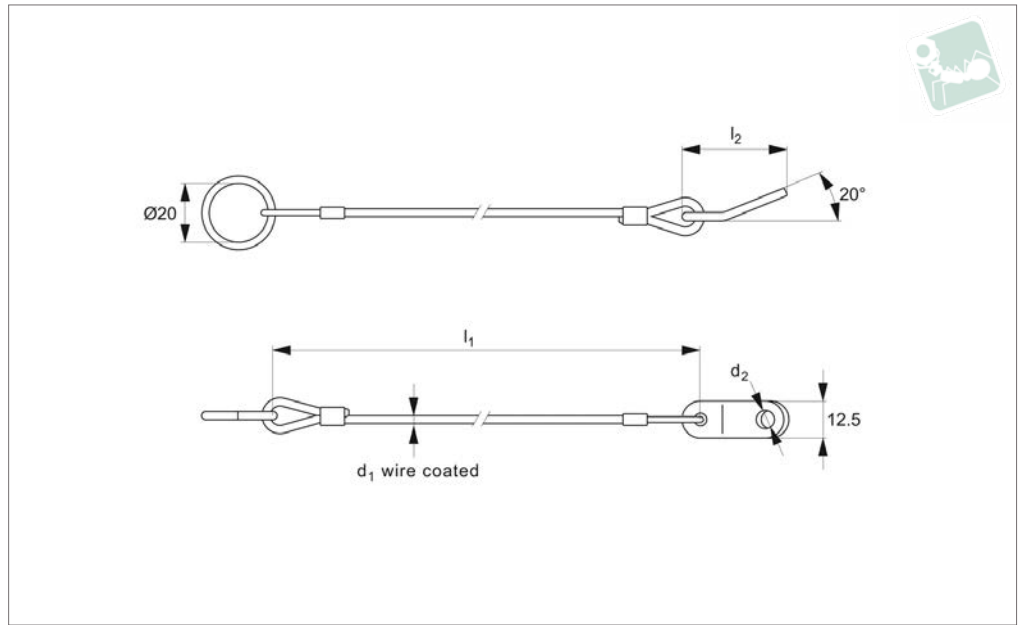
Tips

For use in securing components to assemblies, or to avoid items being misplaced. For

Order No.	Coating	l_1	d_2 wire coated	$\varnothing a$	l_2	Weight g
LA1052.M024-150-G	Green	150	2.4	4.9	33	13.0
LA1052.M024-200-G	Green	200	2.4	4.9	33	14.0
LA1052.M024-300-G	Green	300	2.4	4.9	33	16.0



LA1012



Material

Wire rope: stainless steel.
 Coating: thermoplastic, PVC, green transparent
 Crimps: brass, zinc plated.
 Tabs: stainless steel
 Split ring: stainless steel.

Technical Notes

Temperature range up to 80°C.

Tips

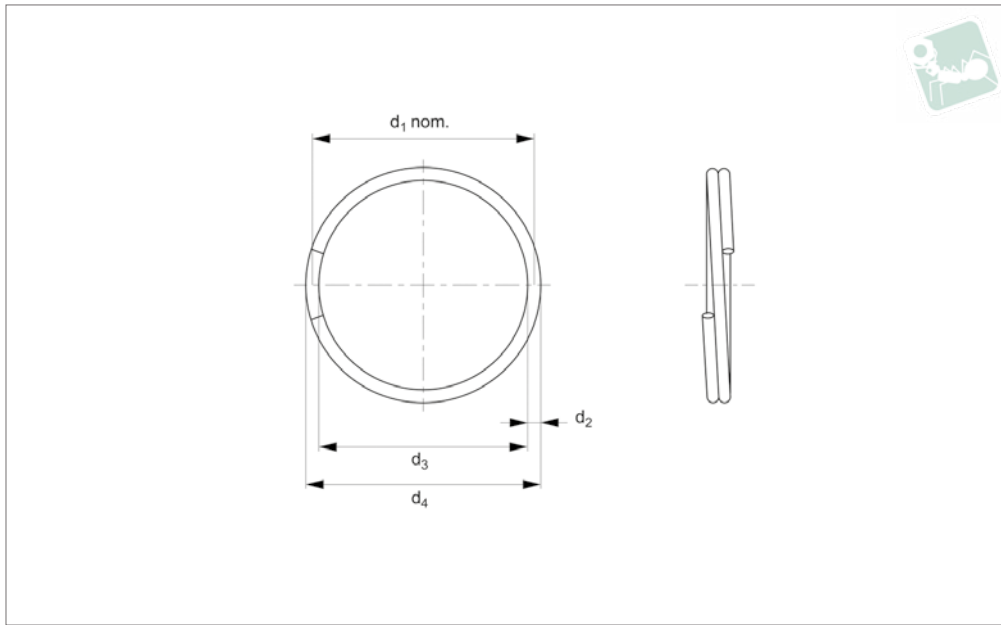
For use in securing components to assemblies, or to avoid items being misplaced. For our wide range of quick release pins

nos.33060 through 33226.

Important Notes

Conform to military spec MIL-DTL-83420 specification

Order No.	Coating	d_1 wire coated	l_1	d_2	l_2	Weight g
LA1012.M024-150G	Green	2.4	150	294.9	29	13
LA1012.M024-200G	Green	2.4	200	4.9	29	14
LA1012.M024-300G	Green	2.4	300	4.9	29	16



LA1260

LANYARDS

Material

Steel, zinc plated, or stainless steel (300 series).

conjunction with wire lanyards. See part nos. L through LA1224. For wide range of quick release pins see part nos. QR1004 through QR5590.

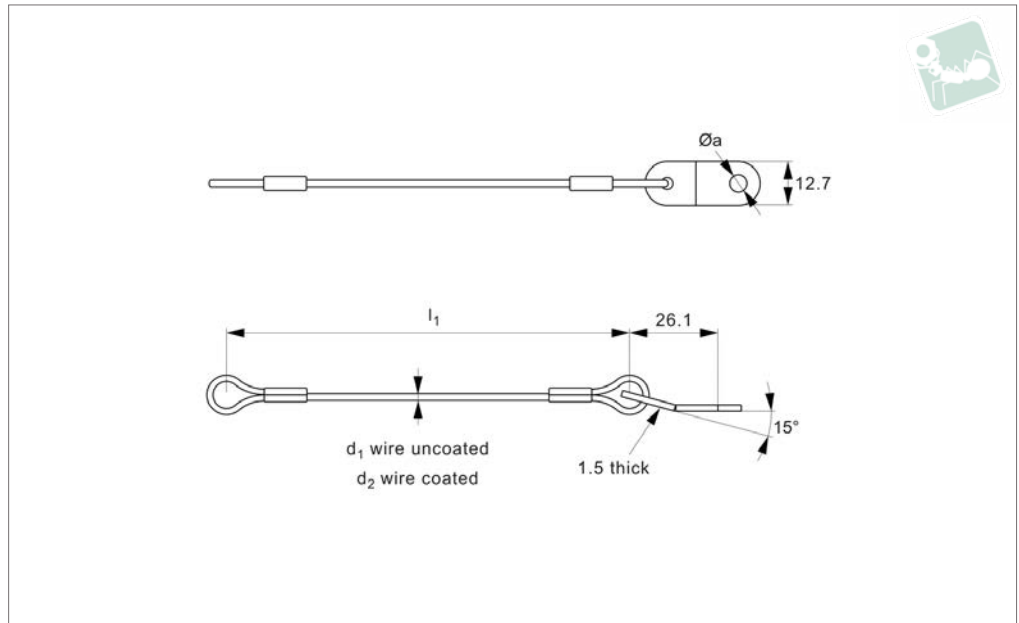
Tips

For use in securing components in

Order No.	d ₁	Material	d ₂	d ₃ I/D	d ₄ O/D
LA1260.I050-C	12.70	Steel	1.14	11.56	13.84
LA1260.I062-C	15.87	Steel	1.40	11.86	17.35
LA1260.I075-C	19.05	Steel	1.78	17.27	20.83
LA1260.I088-C	22.22	Steel	1.78	20.45	24.00
LA1260.I100-C	25.40	Steel	1.78	23.62	27.18
LA1260.I125-C	31.75	Steel	2.29	29.46	34.04
LA1260.I150-C	38.10	Steel	2.67	35.43	40.77
LA1260.I200-C	50.80	Steel	3.05	47.75	53.85
LA1260.I250-C	63.50	Steel	3.94	59.56	67.44
LA1260.I300-C	76.20	Steel	3.94	72.26	80.14
LA1260.I400-C	101.60	Steel	3.94	97.66	105.54
LA1260.I050-S	12.70	Stainless	1.14	11.56	13.84
LA1260.I062-S	15.87	Stainless	1.40	11.86	17.35
LA1260.I075-S	19.05	Stainless	1.78	17.27	20.83
LA1260.I088-S	22.22	Stainless	1.78	20.45	24.00
LA1260.I100-S	25.40	Stainless	1.78	23.62	27.18
LA1260.I125-S	31.75	Stainless	2.29	29.46	34.04
LA1260.I150-S	38.10	Stainless	2.67	35.43	40.77
LA1260.I200-S	50.80	Stainless	3.05	47.75	53.85
LA1260.I250-S	63.50	Stainless	3.94	59.56	67.44
LA1260.I300-S	76.20	Stainless	3.94	72.26	80.14
LA1260.I400-S	101.60	Stainless	3.94	97.66	105.54



LA1010



Material

Material

Wire rope: stainless steel 7x7 wire, RR-W-410.

Coating (if present): vinyl (to MIL-I-631), see table.

Crimps/sleeves: stainless steel (to MIL-51844).

Tabs: stainless steel, 300 Series (ASTM AA240/A666)

Technical Notes

Rated wire strength, or min. breaking

strength, for unassembled, uncoated wire thickness $\text{Ø}d_1$:

$\text{Ø}d_1$ of 1.2mm = 120kg approx.

$\text{Ø}d_1$ of 1.6mm = 210kg approx.

Load rating of assembled and crimped lanyard is based on crimp failure test of approx. 13kg.

Temperature resistance:

-Uncoated – up to + 250°C

-Coated – 0°C to 80°C

Tips

For use in securing components to assemb-

lies, or to avoid items being misplaced.

Special manufacture lanyards available on request, subject to minimum quantities.

For our wide range of quick release pins see part nos. QR1004 through QR5590. For split rings see part no. LA1260.

Order No.	Vinyl coating	d_1 wire uncoated	l_1	d_2 wire coated	$\text{Ø} a$
LA1010.I04-152C1	Clear	1.19	154.4	1.59	5.1
LA1010.I04-203C1	Clear	1.19	203.2	1.59	5.1
LA1010.I04-254C1	Clear	1.19	254.0	1.59	5.1
LA1010.I04-304C1	Clear	1.19	304.8	1.59	5.1
LA1010.I04-152C2	Clear	1.19	152.4	1.59	7.1
LA1010.I04-203C2	Clear	1.19	203.2	1.59	7.1
LA1010.I04-254C2	Clear	1.19	254.0	1.59	7.1
LA1010.I04-304C2	Clear	1.19	304.8	1.59	7.1
LA1010.I06-152C1	Clear	1.59	152.4	3.18	5.1
LA1010.I06-203C1	Clear	1.59	203.2	3.18	5.1
LA1010.I06-254C1	Clear	1.59	254.0	3.18	5.1
LA1010.I06-304C1	Clear	1.59	304.8	3.18	5.1
LA1010.I06-152C2	Clear	1.59	152.4	3.18	7.1
LA1010.I06-203C2	Clear	1.59	203.2	3.18	7.1
LA1010.I06-254C2	Clear	1.59	254.0	3.18	7.1
LA1010.I06-304C2	Clear	1.59	304.8	3.18	7.1
LA1010.I04-152B1	Black	1.19	152.4	1.59	5.1
LA1010.I04-203B1	Black	1.19	203.2	1.59	5.1
LA1010.I04-254B1	Black	1.19	254.0	1.59	5.1
LA1010.I04-304B1	Black	1.19	304.8	1.59	5.1
LA1010.I04-152B2	Black	1.19	152.4	1.59	7.1
LA1010.I04-203B2	Black	1.19	203.2	1.59	7.1
LA1010.I04-254B2	Black	1.19	254.0	1.59	7.1
LA1010.I04-304B2	Black	1.19	304.8	1.59	7.1
LA1010.I06-152B1	Black	1.59	152.4	3.18	5.1



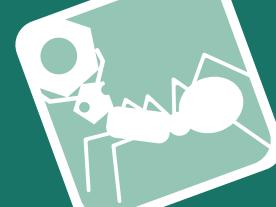
Lanyard - Loop to Rectangular Tab

tab and crimps stainless steel

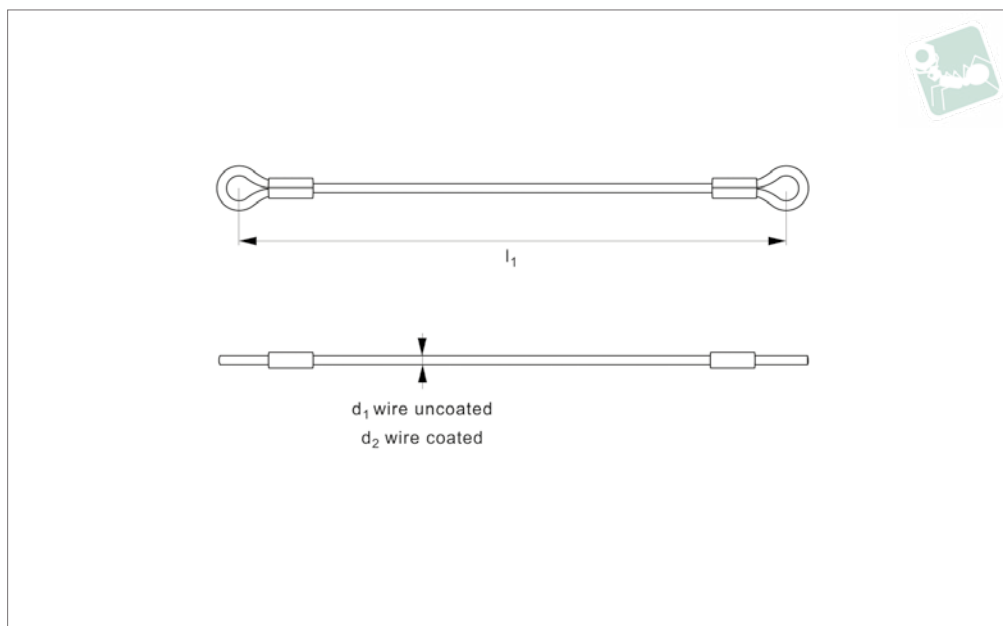
Lanyards

Order No.	Vinyl coating	d ₁ wire uncoated	l ₁	d ₂ wire coated	Ø a
LA1010.I06-203B1	Black	1.59	203.2	3.18	5.1
LA1010.I06-254B1	Black	1.59	254.0	3.18	5.1
LA1010.I06-304B1	Black	1.59	304.8	3.18	5.1
LA1010.I06-152B2	Black	1.59	152.4	3.18	7.1
LA1010.I06-203B2	Black	1.59	203.2	3.18	7.1
LA1010.I06-254B2	Black	1.59	254.0	3.18	7.1
LA1010.I06-304B2	Black	1.59	304.8	3.18	7.1
LA1010.I04-152G1	Green	1.19	152.4	1.59	5.1
LA1010.I04-203G1	Green	1.19	203.2	1.59	5.1
LA1010.I04-254G1	Green	1.19	254.0	1.59	5.1
LA1010.I04-304G1	Green	1.19	304.8	1.59	5.1
LA1010.I04-152G2	Green	1.19	152.4	1.59	7.1
LA1010.I04-203G2	Green	1.19	203.2	1.59	7.1
LA1010.I04-254G2	Green	1.19	254.0	1.59	7.1
LA1010.I04-304G2	Green	1.19	304.8	1.59	7.1
LA1010.I06-152G1	Green	1.59	152.4	3.18	5.1
LA1010.I06-203G1	Green	1.59	203.2	3.18	5.1
LA1010.I06-254G1	Green	1.59	254.0	3.18	5.1
LA1010.I06-304G1	Green	1.59	304.8	3.18	5.1
LA1010.I06-152G2	Green	1.59	152.4	3.18	7.1
LA1010.I06-203G2	Green	1.59	203.2	3.18	7.1
LA1010.I06-254G2	Green	1.59	254.0	3.18	7.1
LA1010.I06-304G2	Green	1.59	304.8	3.18	7.1
LA1010.I04-152N1	Uncoated	1.19	152.4	-	5.1
LA1010.I04-203N1	Uncoated	1.19	203.2	-	5.1
LA1010.I04-254N1	Uncoated	1.19	254.0	-	5.1
LA1010.I04-304N1	Uncoated	1.19	304.8	-	5.1
LA1010.I04-152N2	Uncoated	1.19	152.4	-	7.1
LA1010.I04-203N2	Uncoated	1.19	203.2	-	7.1
LA1010.I04-254N2	Uncoated	1.19	254.0	-	7.1
LA1010.I04-304N2	Uncoated	1.19	304.8	-	7.1
LA1010.I06-152N1	Uncoated	1.59	152.4	-	5.1
LA1010.I06-203N1	Uncoated	1.59	203.2	-	5.1
LA1010.I06-254N1	Uncoated	1.59	254.0	-	5.1
LA1010.I06-304N1	Uncoated	1.59	304.8	-	5.1
LA1010.I06-152N2	Uncoated	1.59	152.4	-	7.1
LA1010.I06-203N2	Uncoated	1.59	203.2	-	7.1
LA1010.I06-254N2	Uncoated	1.59	254.0	-	7.1
LA1010.I06-304N2	Uncoated	1.59	304.8	-	7.1

LANYARDS



LA1060



Material

Wire rope: stainless steel 7x7 wire, RR-W-410.

Coating (if present): vinyl (to MIL-I-631), see table.

Crimps/sleeves: stainless steel (to MIL-51844).

Technical Notes

Rated wire strength, or min. breaking

strength, for unassembled, uncoated wire thickness $\varnothing d_1$:

$\varnothing d_1$ of 1.2mm = 120kg approx.

$\varnothing d_1$ of 1.6mm = 210kg approx.

Load rating of assembled and crimped lanyard is based on crimp failure test of approx. 13kg.

Temperature resistance:

-Uncoated – up to + 250°C

-Coated – 0°C to 80°C

Tips

For use in securing components to assemblies, or to avoid items being misplaced.

Special manufacture lanyards available on request, subject to minimum quantities.

For our wide range of quick release pins see part nos. QR1004 through QR5590. For split rings see part no. LA1260.

Order No.	Vinyl coating	d_1 wire uncoated	l_1	d_2 wire coated
LA1060.I04-152C1	Clear	1.19	152.4	1.59
LA1060.I04-203C1	Clear	1.19	203.2	1.59
LA1060.I04-254C1	Clear	1.19	254.0	1.59
LA1060.I04-304C1	Clear	1.19	304.8	1.59
LA1060.I06-152C1	Clear	1.59	152.4	3.18
LA1060.I06-203C1	Clear	1.59	203.2	3.18
LA1060.I06-254C1	Clear	1.59	254.0	3.18
LA1060.I06-304C1	Clear	1.59	304.8	3.18
LA1060.I04-152B1	Black	1.19	152.4	1.59
LA1060.I04-203B1	Black	1.19	203.2	1.59
LA1060.I04-254B1	Black	1.19	254.0	1.59
LA1060.I04-304B1	Black	1.19	304.8	1.59
LA1060.I06-152B1	Black	1.59	152.4	3.18
LA1060.I06-203B1	Black	1.59	203.2	3.18
LA1060.I06-254B1	Black	1.59	254.0	3.18
LA1060.I06-304B1	Black	1.59	304.8	3.18
LA1060.I04-152G1	Green	1.19	152.4	1.59
LA1060.I04-203G1	Green	1.19	203.2	1.59
LA1060.I04-254G1	Green	1.19	254.0	1.59
LA1060.I04-304G1	Green	1.19	304.8	1.59
LA1060.I06-152G1	Green	1.59	152.4	3.18
LA1060.I06-203G1	Green	1.59	203.2	3.18
LA1060.I06-254G1	Green	1.59	254.0	3.18
LA1060.I06-304G1	Green	1.59	304.8	3.18
LA1060.I04-152N1	Uncoated	1.19	152.4	-
LA1060.I04-203N1	Uncoated	1.19	203.2	-
LA1060.I04-254N1	Uncoated	1.19	254.0	-
LA1060.I04-304N1	Uncoated	1.19	304.8	-



Lanyard - Loop to Loop

crimps stainless steel

Lanyards

Order No.	Vinyl coating	d ₁ wire uncoated	l ₁	d ₂ wire coated
LA1060.I06-152N1	Uncoated	1.59	152.4	-
LA1060.I06-203N1	Uncoated	1.59	203.2	-
LA1060.I06-254N1	Uncoated	1.59	254.0	-
LA1060.I06-304N1	Uncoated	1.59	304.8	-