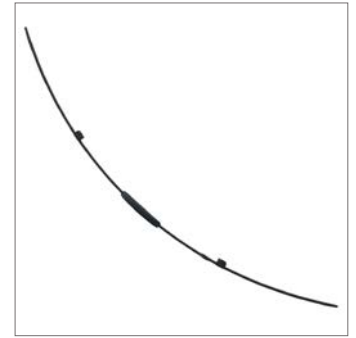
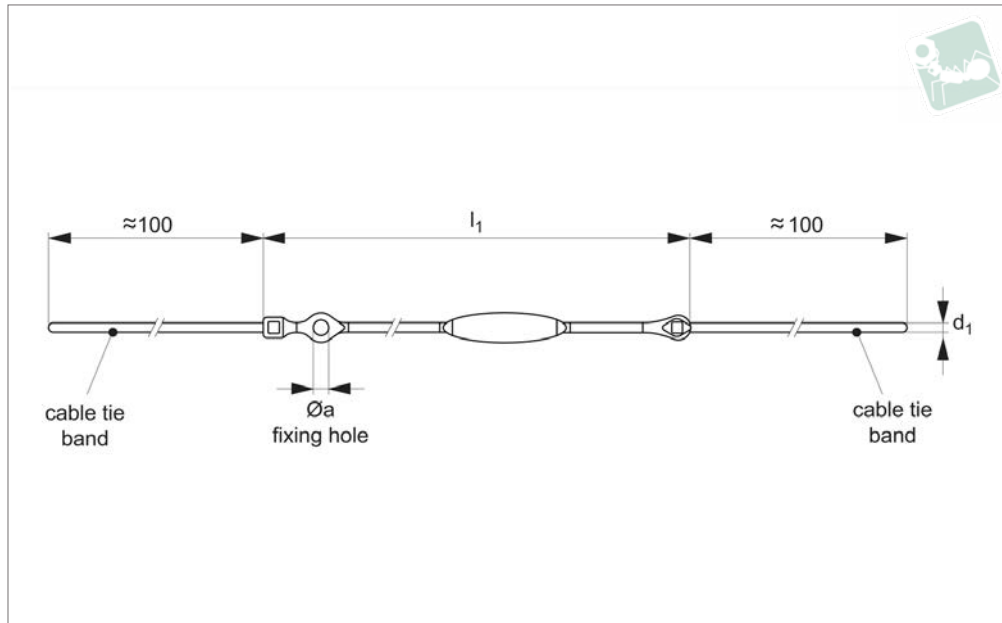




Lanyard - Cable Tie Loop

thermoplastic

Lanyards



LA1082

LANYARDS

Material

Thermoplastic PA6, grey.

Technical Notes

Temperature range up to 80°C offers two

fixing alternatives:

- Cable tie at both ends
- Cable tie one end and fixing hole at other to secure with M4 screw.

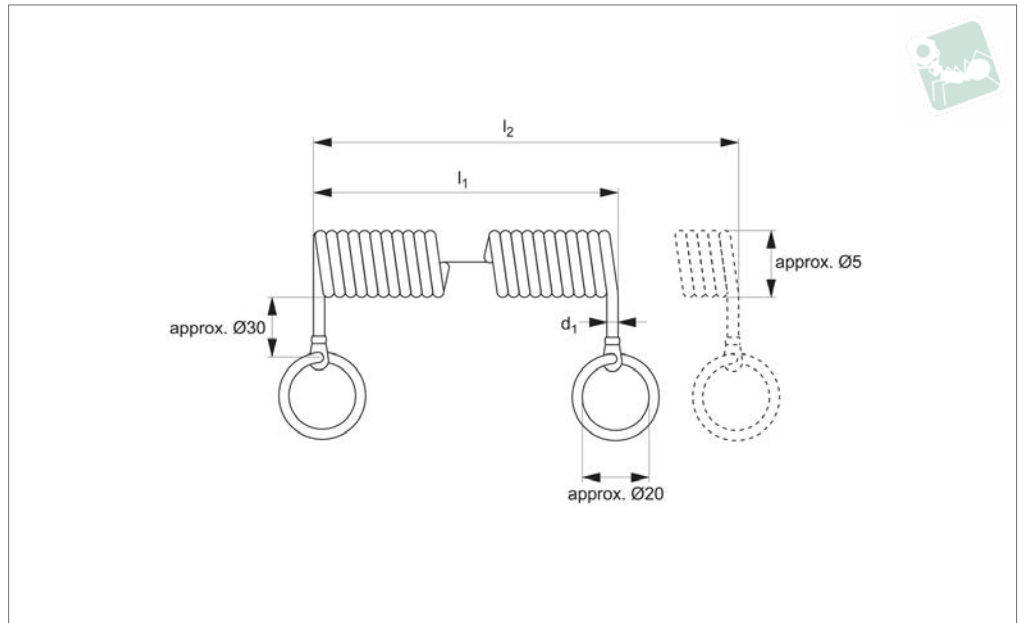
Tips

For use in securing components to assemblies, or to avoid items being misplaced.

Order No.	Coating	d_1	l_1	$\varnothing a$	Weight g
LA1082.M015-150N	n/a	2.5	150	4.2	2.1
LA1082.M015-250N	n/a	2.5	250	4.2	2.7



LA1092



Material

Wire rope: steel.
 Coating: PUR, thermoplastic.
 Eyelet: brass, zinc plated.
 Split ring: stainless steel.

Technical Notes

Temperature range up to 80°C. Coiled

sprung wire offers high extended length in a compact design.

Tips

For use in securing components to assemblies, or to avoid items being misplaced.
 For our wide range of quick release pins, part nos. 33060 to 33226.

Order No.	PUR coating	d ₁	l ₁ retracted	l ₂ extended	Weight g
LA1092.M015-100B	Black	1.5	100	600	11.5
LA1092.M015-200B	Black	1.5	200	1200	17.4