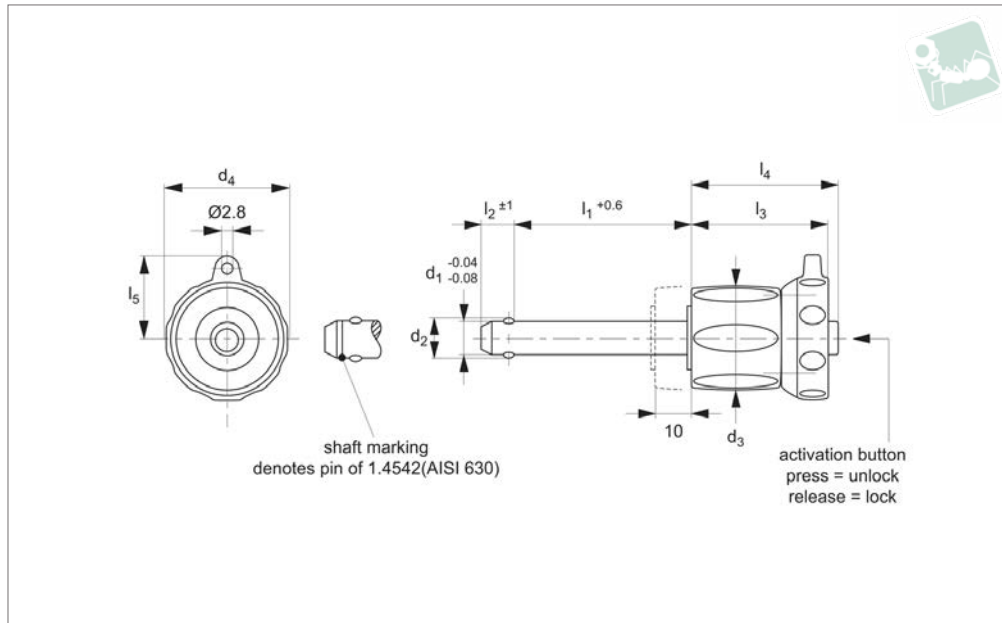




# Ball Lock Pins - Single Acting

self-locking - adj. length - stainless 1.4305

# Quick Release Pins



**QR1804**

QUICK RELEASE PINS

### Material

Pin: stainless steel 1.4305 (AISI 303).  
Ball: stainless steel 1.3541  
Spring: stainless steel.  
Adj. Grip: thermoplastic, grey/black.

### Technical Notes

Pressing = unlocking.  
Releasing = locking.

### Unique design; adj.grip offers up to 10mm of clamping stroke on pin length $l_1$ after installation.

Temperature resistance -30°C to +80°C.  
For quick fastening and locking of frequently repeated connections, with additional clamping capacity of up to 10mm stroke.

### Tips

For lanyards & retaining cables see part no.LA1066. Easy install locating bushes available see part no.LA1310.

### Important Notes

\*Shearing resistance similar to DIN 50141.

Order No.	$d_1$	$l_1$	Material	$d_2$	$d_3$	$d_4$	$l_2$	$l_3$	$l_4$	$l_5$	Loc'n hole tol. H11	Shearing resistance, double min. kN	Weight g
QR1804.M05-000-S	5	0 - 10	Stainless 1.4305	5.5	17.6	23.6	6.0	25.7	26.2	15.9	5	14	24
QR1804.M05-005-S	5	5 - 15	Stainless 1.4305	5.5	17.6	23.6	6.0	25.7	26.2	15.9	5	14	25
QR1804.M05-010-S	5	10 - 20	Stainless 1.4305	5.5	17.6	23.6	6.0	25.7	26.2	15.9	5	14	26
QR1804.M05-015-S	5	15 - 25	Stainless 1.4305	5.5	17.6	23.6	6.0	25.7	26.2	15.9	5	14	27
QR1804.M05-020-S	5	20 - 30	Stainless 1.4305	5.5	17.6	23.6	6.0	25.7	26.2	15.9	5	14	27
QR1804.M06-000-S	6	0 - 10	Stainless 1.4305	7.0	17.6	23.6	7.0	25.7	26.2	15.9	6	21	25
QR1804.M06-005-S	6	5 - 15	Stainless 1.4305	7.0	17.6	23.6	7.0	25.7	26.2	15.9	6	21	26
QR1804.M06-010-S	6	10 - 20	Stainless 1.4305	7.0	17.6	23.6	7.0	25.7	26.2	15.9	6	21	27
QR1804.M06-015-S	6	15 - 25	Stainless 1.4305	7.0	17.6	23.6	7.0	25.7	26.2	15.9	6	21	28
QR1804.M06-020-S	6	20 - 30	Stainless 1.4305	7.0	17.6	23.6	7.0	25.7	26.2	15.9	6	21	29
QR1804.M06-025-S	6	25 - 35	Stainless 1.4305	7.0	17.6	23.6	7.0	25.7	26.2	15.9	6	21	30
QR1804.M06-030-S	6	30 - 40	Stainless 1.4305	7.0	17.6	23.6	7.0	25.7	26.2	15.9	6	21	31
QR1804.M06-035-S	6	35 - 45	Stainless 1.4305	7.0	17.6	23.6	7.0	25.7	26.2	15.9	6	21	32



Order No.	d <sub>1</sub>	l <sub>1</sub>	Material	d <sub>2</sub>	d <sub>3</sub>	d <sub>4</sub>	l <sub>2</sub>	l <sub>3</sub>	l <sub>4</sub>	l <sub>5</sub>	Loc'n hole tol. H11	Shearing resistance, double kN min.	Weight g
QR1804.M06-040-S	6	40 - 50	Stainless 1.4305	7.0	17.6	23.6	7.0	25.7	26.2	15.9	6	21	33
QR1804.M08-010-S	8	10 - 20	Stainless 1.4305	9.6	23.0	27.6	8.2	31.2	33.1	18.0	8	38	57
QR1804.M08-015-S	8	15 - 25	Stainless 1.4305	9.6	23.0	27.6	8.2	31.2	33.1	18.0	8	38	58
QR1804.M08-020-S	8	20 - 30	Stainless 1.4305	9.6	23.0	27.6	8.2	31.2	33.1	18.0	8	38	60
QR1804.M08-025-S	8	25 - 35	Stainless 1.4305	9.6	23.0	27.6	8.2	31.2	33.1	18.0	8	38	62
QR1804.M08-030-S	8	30 - 40	Stainless 1.4305	9.6	23.0	27.6	8.2	31.2	33.1	18.0	8	38	64
QR1804.M08-035-S	8	35 - 45	Stainless 1.4305	9.6	23.0	27.6	8.2	31.2	33.1	18.0	8	38	66
QR1804.M08-040-S	8	40 - 50	Stainless 1.4305	9.6	23.0	27.6	8.2	31.2	33.1	18.0	8	38	68
QR1804.M10-010-S	10	10 - 20	Stainless 1.4305	12.0	23.0	27.6	9.6	31.2	33.1	18.0	10	60	63
QR1804.M10-015-S	10	15 - 25	Stainless 1.4305	12.0	23.0	27.6	9.6	31.2	33.1	18.0	10	60	66
QR1804.M10-020-S	10	20 - 30	Stainless 1.4305	12.0	23.0	27.6	9.6	31.2	33.1	18.0	10	60	69
QR1804.M10-025-S	10	25 - 35	Stainless 1.4305	12.0	23.0	27.6	9.6	31.2	33.1	18.0	10	60	72
QR1804.M10-030-S	10	30 - 40	Stainless 1.4305	12.0	23.0	27.6	9.6	31.2	33.1	18.0	10	60	75
QR1804.M10-035-S	10	35 - 45	Stainless 1.4305	12.0	23.0	27.6	9.6	31.2	33.1	18.0	10	60	78
QR1804.M10-040-S	10	40 - 50	Stainless 1.4305	12.0	23.0	27.6	9.6	31.2	33.1	18.0	10	60	81
QR1804.M10-050-S	10	50 - 60	Stainless 1.4305	12.0	23.0	27.6	9.6	31.2	33.1	18.0	10	60	87
QR1804.M12-015-S	12	15 - 25	Stainless 1.4305	14.5	29.0	34.6	10.6	36.7	39.5	21.8	12	87	123
QR1804.M12-020-S	12	20 - 30	Stainless 1.4305	14.5	29.0	34.6	10.6	36.7	39.5	21.8	12	87	127
QR1804.M12-025-S	12	25 - 35	Stainless 1.4305	14.5	29.0	34.6	10.6	36.7	39.5	21.8	12	87	131
QR1804.M12-030-S	12	30 - 40	Stainless 1.4305	14.5	29.0	34.6	10.6	36.7	39.5	21.8	12	87	135
QR1804.M12-035-S	12	35 - 45	Stainless 1.4305	14.5	29.0	34.6	10.6	36.7	39.5	21.8	12	87	140
QR1804.M12-040-S	12	40 - 50	Stainless 1.4305	14.5	29.0	34.6	10.6	36.7	39.5	21.8	12	87	144
QR1804.M12-050-S	12	50 - 60	Stainless 1.4305	14.5	29.0	34.6	10.6	36.7	39.5	21.8	12	87	152
QR1804.M12-060-S	12	60 - 70	Stainless 1.4305	14.5	29.0	34.6	10.6	36.7	39.5	21.8	12	87	161
QR1804.M12-070-S	12	70 - 80	Stainless 1.4305	14.5	29.0	34.6	10.6	36.7	39.5	21.8	12	87	169
QR1804.M16-020-S	16	20 - 30	Stainless 1.4305	19.0	29.0	34.6	14.0	36.7	39.5	21.8	16	155	159
QR1804.M16-025-S	16	25 - 35	Stainless 1.4305	19.0	29.0	34.6	14.0	36.7	39.5	21.8	16	155	166
QR1804.M16-030-S	16	30 - 40	Stainless 1.4305	19.0	29.0	34.6	14.0	36.7	39.5	21.8	16	155	174
QR1804.M16-035-S	16	35 - 45	Stainless 1.4305	19.0	29.0	34.6	14.0	36.7	39.5	21.8	16	155	182
QR1804.M16-040-S	16	40 - 50	Stainless 1.4305	19.0	29.0	34.6	14.0	36.7	39.5	21.8	16	155	189
QR1804.M16-050-S	16	50 - 60	Stainless 1.4305	19.0	29.0	34.6	14.0	36.7	39.5	21.8	16	155	205
QR1804.M16-060-S	16	60 - 70	Stainless 1.4305	19.0	29.0	34.6	14.0	36.7	39.5	21.8	16	155	220

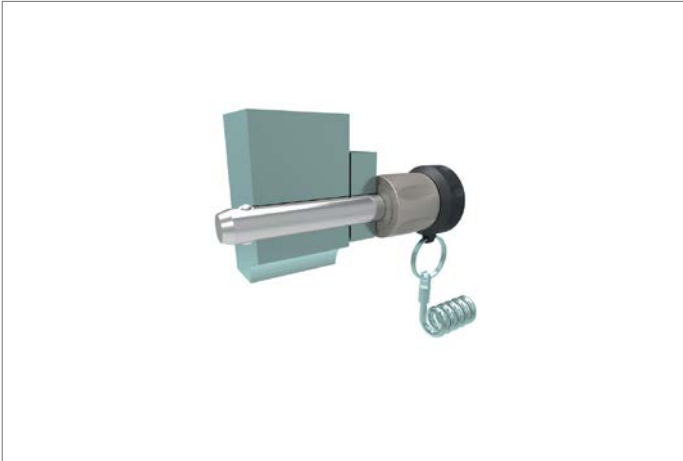


# Ball Lock Pins - Single Acting

self-locking - adj. length - stainless 1.4305

# Quick Release Pins

Order No.	d <sub>1</sub>	l <sub>1</sub>	Material	d <sub>2</sub>	d <sub>3</sub>	d <sub>4</sub>	l <sub>2</sub>	l <sub>3</sub>	l <sub>4</sub>	l <sub>5</sub>	Loc'n hole tol. H11	Shearing resistance, double kN min.	Weight g
QR1804.M16-070-S	16	70 - 80	Stainless 1.4305	19.0	29.0	34.6	14.0	36.7	39.5	21.8	16	155	235



QUICK RELEASE PINS

# Quick Release Pins

# Ball Lock Pins - Single Acting

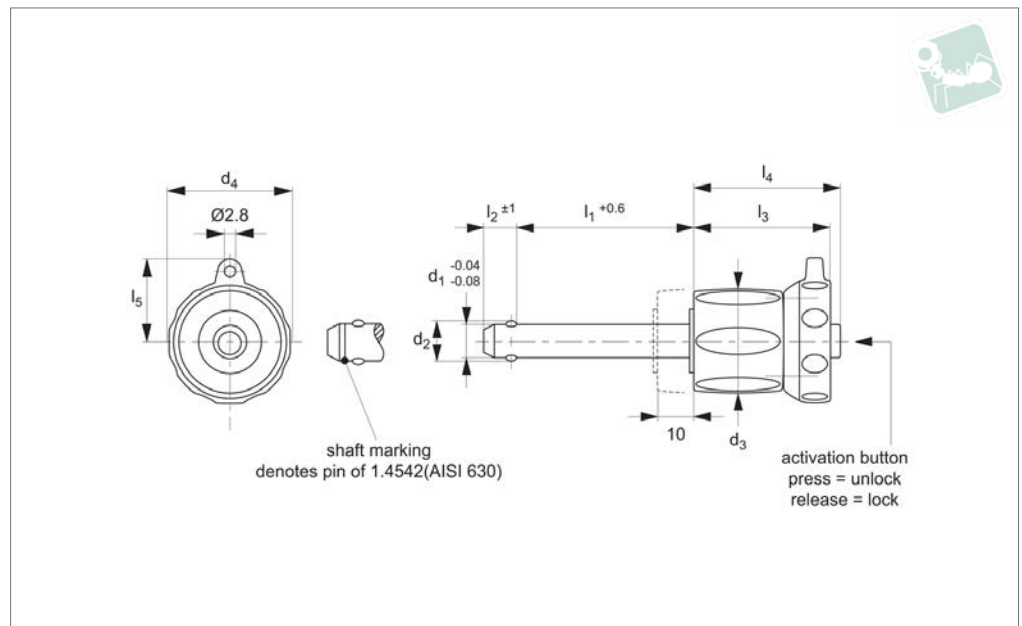
self-locking - adj. length - stainless 1.4542



QUICK RELEASE PINS



**QR1806**



### Material

Pin: stainless steel 1.4542 (AISI 630), precipitation hardened, blast finish. Offering extreme load capacity. (Marked at end of shaft to denote 1.4542 material).  
 Ball: stainless steel 1.3541  
 Spring: stainless steel.  
 Adj. Grip: thermoplastic, grey/black.

Releasing = locking.

**Unique design; adj.grip offers up to 10mm of clamping stroke on pin length  $l_1$  after installation.**

Temperature resistance -30°C to +80°C.  
 For quick fastening and locking of frequently repeated connections, with additional clamping capacity of up to 10mm stroke.

### Tips

For lanyards & retaining cables see part no.LA1066. Easy install locating bushes available see part no.LA1310.

### Important Notes

\*Shearing resistance similar to DIN 50141.

### Technical Notes

Pressing = unlocking.

Order No.	$d_1$	$l_1$	Material	$d_2$	$d_3$	$d_4$	$l_2$	$l_3$	$l_4$	$l_5$	Loc'n hole tol. H11	Shearing resistance, double kN min.	Weight g
QR1806.M05-000-T	5	0 - 10	Stainless 1.4542	5.5	17.6	23.6	6.0	25.7	26.2	15.9	5	24	24
QR1806.M05-050-T	5	5 - 15	Stainless 1.4542	5.5	17.6	23.6	6.0	25.7	26.2	15.9	5	24	25
QR1806.M05-010-T	5	10 - 20	Stainless 1.4542	5.5	17.6	23.6	6.0	25.7	26.2	15.9	5	24	26
QR1806.M05-015-T	5	15 - 25	Stainless 1.4542	5.5	17.6	23.6	6.0	25.7	26.2	15.9	5	24	27
QR1806.M05-020-T	5	20 - 30	Stainless 1.4542	5.5	17.6	23.6	6.0	25.7	26.2	15.9	5	24	27
QR1806.M06-000-T	6	0 - 10	Stainless 1.4542	7.0	17.6	23.6	7.0	25.7	26.2	15.9	6	35	25
QR1806.M06-005-T	6	5 - 15	Stainless 1.4542	7.0	17.6	23.6	7.0	25.7	26.2	15.9	6	35	26
QR1806.M06-010-T	6	10 - 20	Stainless 1.4542	7.0	17.6	23.6	7.0	25.7	26.2	15.9	6	35	27
QR1806.M06-015-T	6	15 - 25	Stainless 1.4542	7.0	17.6	23.6	7.0	25.7	26.2	15.9	6	35	28
QR1806.M06-020-T	6	20 - 30	Stainless 1.4542	7.0	17.6	23.6	7.0	25.7	26.2	15.9	6	35	29
QR1806.M06-025-T	6	25 - 35	Stainless 1.4542	7.0	17.6	23.6	7.0	25.7	26.2	15.9	6	35	30
QR1806.M06-030-T	6	30 - 40	Stainless 1.4542	7.0	17.6	23.6	7.0	25.7	26.2	15.9	6	35	31



# Ball Lock Pins - Single Acting

self-locking - adj. length - stainless 1.4542

## Quick Release Pins

Order No.	d <sub>1</sub>	l <sub>1</sub>	Material	d <sub>2</sub>	d <sub>3</sub>	d <sub>4</sub>	l <sub>2</sub>	l <sub>3</sub>	l <sub>4</sub>	l <sub>5</sub>	Loc'n hole tol. H11	Shearing resistance, double min. kN	Weight g
QR1806.M06-035-T	6	35 - 45	Stainless 1.4542	7.0	17.6	23.6	7.0	25.7	26.2	15.9	6	35	32
QR1806.M06-040-T	6	40 - 50	Stainless 1.4542	7.0	17.6	23.6	7.0	25.7	26.2	15.9	6	35	33
QR1806.M08-010-T	8	10 - 20	Stainless 1.4542	9.6	23.0	27.6	8.2	31.2	33.1	18.0	8	63	57
QR1806.M08-015-T	8	15 - 25	Stainless 1.4542	9.6	23.0	27.6	8.2	31.2	33.1	18.0	8	63	58
QR1806.M08-020-T	8	20 - 30	Stainless 1.4542	9.6	23.0	27.6	8.2	31.2	33.1	18.0	8	63	60
QR1806.M08-025-T	8	25 - 35	Stainless 1.4542	9.6	23.0	27.6	8.2	31.2	33.1	18.0	8	63	62
QR1806.M08-030-T	8	30 - 40	Stainless 1.4542	9.6	23.0	27.6	8.2	31.2	33.1	18.0	8	63	64
QR1806.M08-035-T	8	35 - 45	Stainless 1.4542	9.6	23.0	27.6	8.2	31.2	33.1	18.0	8	63	66
QR1806.M08-040-T	8	40 - 50	Stainless 1.4542	9.6	23.0	27.6	8.2	31.2	33.1	18.0	8	63	68
QR1806.M10-010-T	10	10 - 20	Stainless 1.4542	12.0	23.0	27.6	9.6	31.2	33.1	18.0	10	100	63
QR1806.M10-015-T	10	15 - 25	Stainless 1.4542	12.0	23.0	27.6	9.6	31.2	33.1	18.0	10	100	66
QR1806.M10-020-T	10	20 - 30	Stainless 1.4542	12.0	23.0	27.6	9.6	31.2	33.1	18.0	10	100	69
QR1806.M10-025-T	10	25 - 35	Stainless 1.4542	12.0	23.0	27.6	9.6	31.2	33.1	18.0	10	100	72
QR1806.M10-030-T	10	30 - 40	Stainless 1.4542	12.0	23.0	27.6	9.6	31.2	33.1	18.0	10	100	75
QR1806.M10-035-T	10	35 - 45	Stainless 1.4542	12.0	23.0	27.6	9.6	31.2	33.1	18.0	10	100	78
QR1806.M10-040-T	10	40 - 50	Stainless 1.4542	12.0	23.0	27.6	9.6	31.2	33.1	18.0	10	100	81
QR1806.M10-050-T	10	50 - 60	Stainless 1.4542	12.0	23.0	27.6	9.6	31.2	33.1	18.0	10	100	87
QR1806.M12-015-T	12	15 - 25	Stainless 1.4542	14.5	29.0	34.6	10.6	36.7	39.5	21.8	12	144	123
QR1806.M12-020-T	12	20 - 30	Stainless 1.4542	14.5	29.0	34.6	10.6	36.7	39.5	21.8	12	144	127
QR1806.M12-025-T	12	25 - 35	Stainless 1.4542	14.5	29.0	34.6	10.6	36.7	39.5	21.8	12	144	131
QR1806.M12-030-T	12	30 - 40	Stainless 1.4542	14.5	29.0	34.6	10.6	36.7	39.5	21.8	12	144	135
QR1806.M12-035-T	12	35 - 45	Stainless 1.4542	14.5	29.0	34.6	10.6	36.7	39.5	21.8	12	144	140
QR1806.M12-040-T	12	40 - 50	Stainless 1.4542	14.5	29.0	34.6	10.6	36.7	39.5	21.8	12	144	144
QR1806.M12-050-T	12	50 - 60	Stainless 1.4542	14.5	29.0	34.6	10.6	36.7	39.5	21.8	12	144	152
QR1806.M12-060-T	12	60 - 70	Stainless 1.4542	14.5	29.0	34.6	10.6	36.7	39.5	21.8	12	144	161
QR1806.M12-070-T	12	70 - 80	Stainless 1.4542	14.5	29.0	34.6	10.6	36.7	39.5	21.8	12	144	169
QR1806.M16-020-T	16	20 - 30	Stainless 1.4542	19.0	29.0	34.6	14.0	36.7	39.5	21.8	16	257	159
QR1806.M16-025-T	16	25 - 35	Stainless 1.4542	19.0	29.0	34.6	14.0	36.7	39.5	21.8	16	257	166
QR1806.M16-030-T	16	30 - 40	Stainless 1.4542	19.0	29.0	34.6	14.0	36.7	39.5	21.8	16	257	174
QR1806.M16-035-T	16	35 - 45	Stainless 1.4542	19.0	29.0	34.6	14.0	36.7	39.5	21.8	16	257	182
QR1806.M16-040-T	16	40 - 50	Stainless 1.4542	19.0	29.0	34.6	14.0	36.7	39.5	21.8	16	257	189
QR1806.M16-050-T	16	50 - 60	Stainless 1.4542	19.0	29.0	34.6	14.0	36.7	39.5	21.8	16	257	205
QR1806.M16-060-T	16	60 - 70	Stainless 1.4542	19.0	29.0	34.6	14.0	36.7	39.5	21.8	16	257	220

QUICK RELEASE PINS

# Quick Release Pins

## Ball Lock Pins - Single Acting self-locking - adj. length - stainless 1.4542



Order No.	d <sub>1</sub>	l <sub>1</sub>	Material	d <sub>2</sub>	d <sub>3</sub>	d <sub>4</sub>	l <sub>2</sub>	l <sub>3</sub>	l <sub>4</sub>	l <sub>5</sub>	Loc'n hole tol. H11	Shearing resistance, double kN min.	Weight g
QR1806.M16-070-T	16	70 - 80	Stainless 1.4542	19.0	29.0	34.6	14.0	36.7	39.5	21.8	16	257	235

QUICK RELEASE PINS

