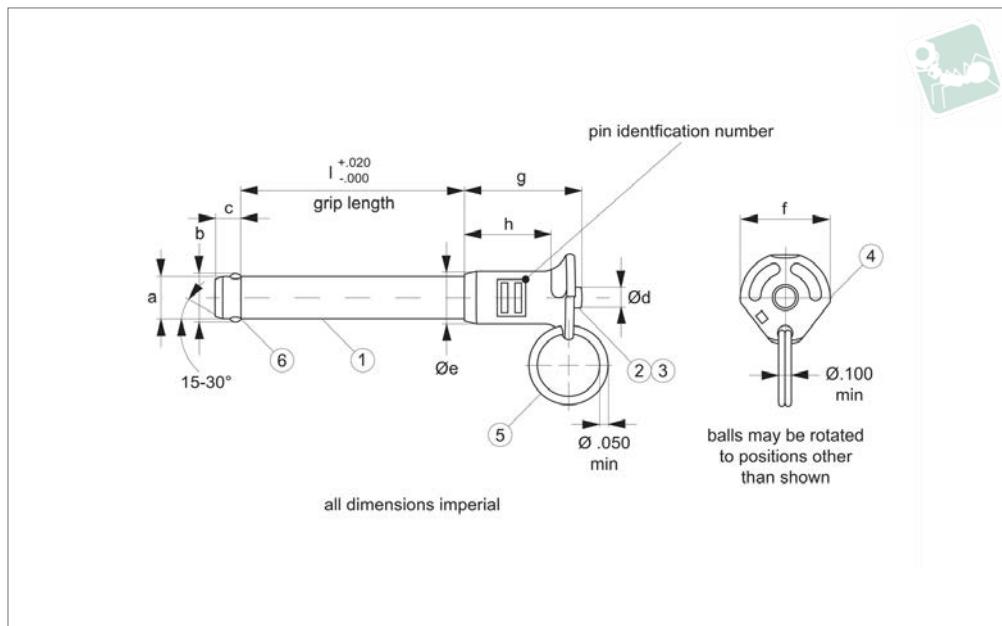




Aviation Pip-Pin - Standard B Handle

single acting - quick release pins

Quick Release Pins



QR5584

QUICK RELEASE PINS

Material

Shank (part 1) & Spindle (part 2):

CRES 17-4PH (AMS 5643), heat treated per MIL-H-6875, condition H900, min. 40 HRC, passivated per AMS2700

Spring (part 3, not shown):

CRES 302 (ASTM-A-313), heat treated per MIL-H-6875, passivated per AMS2700

Handle (part 4):

A380 (QQ-A-591), anodized (black) per MIL-A-8625

Attaching ring (part 5):

CRES 302 (ASTM-A-313), passivated per AMS2700

Ball (locking element, part 6):

CRES CL440C (AMS5630), heat treated per MIL-H-6875, passivated per AMS2700

Technical Notes

Wixroyd Aviation Pip-Pins manufactured to Aviation Norm NASM 17984 (former norm: MS 17984) and tested to NAS 1332.

Manufacture certified & assessed to EN9100D by EASE (European Aerospace Supplier Evaluation).

Temp. range -22°F to 302°F

Pressing = unlocking.

Releasing = locking.

Pip-Pins are used for frequently repeated operations such as quick fastening, locking, adjusting, changing and securing. All dimensions shown are imperial.

Tips

We can manufacture specials (both metric & imperial) to your drawing, and are certified to produce to NASM standards.

Wixroyd Aviation Pip-Pins can be produced within the following dimensions:

+ diameter: from 3/16" to 1"

+ grip length: from 0.3" to 9.9"

Quick production time on small batches.

Order No.	Dia. Ø nom.	Grip l	b	c	Ø d max.	Ø e max.	Weight g
QR5584.A005	3/16	0.5	0.220	0.26	0.31	0.44	17
QR5584.A007	3/16	0.7	0.220	0.26	0.31	0.44	17
QR5584.A008	3/16	0.8	0.220	0.26	0.31	0.44	18
QR5584.A011	3/16	1.1	0.220	0.26	0.31	0.44	19
QR5584.A015	3/16	1.5	0.220	0.26	0.31	0.44	20
QR5584.A018	3/16	1.8	0.220	0.26	0.31	0.44	21
QR5584.A020	3/16	2.0	0.220	0.26	0.31	0.44	22
QR5584.B010	1/4	1.0	0.289	0.29	0.31	0.44	22
QR5584.B019	1/4	1.9	0.289	0.29	0.31	0.44	27
QR5584.B020	1/4	2.0	0.289	0.29	0.31	0.44	27
QR5584.B025	1/4	2.5	0.289	0.29	0.31	0.44	32
QR5584.B064	1/4	6.4	0.289	0.29	0.31	0.44	59
QR5584.C010	5/16	1.0	0.375	0.33	0.31	0.49	28
QR5584.C012	5/16	1.2	0.375	0.33	0.31	0.49	29
QR5584.C017	5/16	1.7	0.375	0.33	0.31	0.49	34
QR5584.C020	5/16	2.0	0.375	0.33	0.31	0.49	36
QR5584.C022	5/16	2.2	0.375	0.33	0.31	0.49	38
QR5584.C025	5/16	2.5	0.375	0.33	0.31	0.49	43
QR5584.C029	5/16	2.9	0.375	0.33	0.31	0.49	46
QR5584.C030	5/16	3.0	0.375	0.33	0.31	0.49	47
QR5584.C036	5/16	3.6	0.375	0.33	0.31	0.49	53



Order No.	Dia. Ø nom.	Grip l	b	c	Ø d max.	Ø e max.	Weight g
QR5584.C049	5/16	4.9	0.375	0.33	0.31	0.49	65
QR5584.C062	5/16	6.2	0.375	0.33	0.31	0.49	73
QR5584.C067	5/16	6.7	0.375	0.33	0.31	0.49	85

QUICK RELEASE PINS

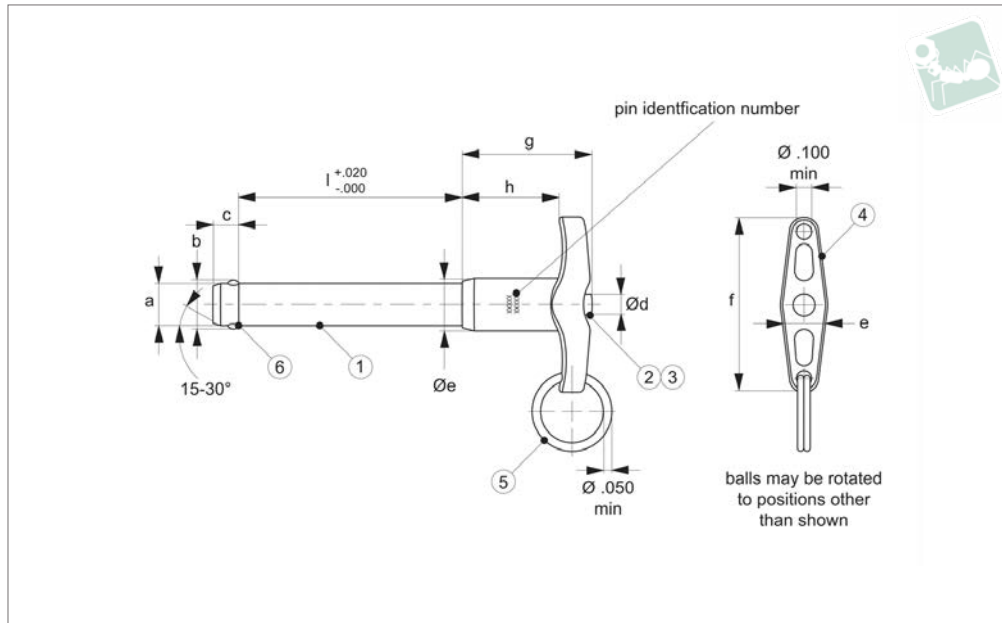
Order No.	Ø f max.	g max.	h min.	Shearing resistance, double lb min.	Location hole dia. max.	MS Part No.
QR5584.A005	0.800	0.83	0.48	5.150	0.1940	MS17984C305
QR5584.A007	0.800	0.83	0.48	5.150	0.1940	MS17984C307
QR5584.A008	0.800	0.83	0.48	5.150	0.1940	MS17984C308
QR5584.A011	0.800	0.83	0.48	5.150	0.1940	MS17984C311
QR5584.A015	0.800	0.83	0.48	5.150	0.1940	MS17984C315
QR5584.A018	0.800	0.83	0.48	5.150	0.1940	MS17984C318
QR5584.A020	0.800	0.83	0.48	5.150	0.1940	MS17984C320
QR5584.B010	0.800	0.89	0.48	9.200	0.2540	MS17984C410
QR5584.B019	0.800	0.89	0.48	9.200	0.2540	MS17984C419
QR5584.B020	0.800	0.89	0.48	9.200	0.2540	MS17984C410
QR5584.B025	0.800	0.89	0.48	9.200	0.2540	MS17984C425
QR5584.B064	0.800	0.89	0.48	9.200	0.2540	MS17984C464
QR5584.C010	1.135	0.93	0.48	14.400	0.3165	MS17984C510
QR5584.C012	1.135	0.93	0.48	14.400	0.3165	MS17984C512
QR5584.C017	1.135	0.93	0.48	14.400	0.3165	MS17984C517
QR5584.C020	1.135	0.93	0.48	14.400	0.3165	MS17984C520
QR5584.C022	1.135	0.93	0.48	14.400	0.3165	MS17984C522
QR5584.C025	1.135	0.93	0.48	14.400	0.3165	MS17984C525
QR5584.C029	1.135	0.93	0.48	14.400	0.3165	MS17984C529
QR5584.C030	1.135	0.93	0.48	14.400	0.3165	MS17984C530
QR5584.C036	1.135	0.93	0.48	14.400	0.3165	MS17984C536
QR5584.C049	1.135	0.93	0.48	14.400	0.3165	MS17984C549
QR5584.C062	1.135	0.93	0.48	14.400	0.3165	MS17984C562
QR5584.C067	1.135	0.93	0.48	14.400	0.3165	MS17984C567



Aviation Pip-Pin - Standard T-Handle

single acting - quick release pins - **according to**

Quick Release Pins



QR5585

QUICK RELEASE PINS

Material

Shank (part 1) & spindle (part 2):

CRES 17-4PH (AMS 5643), heat treated per MIL-H-6875, condition H900, min. 40 HRC, passivated per AMS2700.

Spring (part 3, not shown):

CRES 302 (ASTM-A-313), heat treated per MIL-H-6875, passivated per AMS2700.

Handle (part 4):

A380 (QQ-A-591), anodized (black) per MIL-A-8625.

Attaching ring (part 5):

CRES 302 (ASTM-A-313), passivated per AMS2700.

Ball (locking element, part 6):

CRES CL440C (AMS5630), heat treated per MIL-H-6875, passivated per AMS2700.

Technical Notes

Wixroyd Aviation Pip-pins manufactured to Aviation Norm NASM 17985 (former norm: MS 17985) and tested to NAS 1332.

Manufacture certified & assessed to EN9100D by EASE (European Aerospace Supplier Evaluation).

Temp. range -22°F to 302°F

Pressing = unlocking.

Releasing = locking.

Pip-pins are used for frequently repeated operations such as quick fastening, locking, adjusting, changing and securing. All dimensions shown are imperial.

Tips

We can manufacture specials (both metric & imperial) to your drawing, and are certified to produce to NASM standards.

Wixroyd Aviation Pip-Pins can be produced within the following dimensions:

+ diameter: from 3/16" to 1"

+ grip length: from 0.3" to 9.9"

Quick production time on small batches.

Order No.	Dia. Ø inch nom.	Grip l inch	b ₁	c ₁	Ø d max.	Ø e max.	Weight g
QR5585.A005	3/16	0.5	.220	.260	.310	0.500	24
QR5585.A008	3/16	0.8	.220	.260	.310	0.500	25
QR5585.A012	3/16	1.2	.220	.260	.310	0.500	26
QR5585.A013	3/16	1.3	.220	.260	.310	0.500	27
QR5585.A014	3/16	1.4	.220	.260	.310	0.500	27
QR5585.A026	3/16	2.6	.220	.260	.310	0.500	33
QR5585.B005	1/4	0.5	.289	.290	.310	0.500	26
QR5585.B009	1/4	0.9	.289	.290	.310	0.500	27
QR5585.B011	1/4	1.1	.289	.290	.310	0.500	28
QR5585.B012	1/4	1.2	.289	.290	.310	0.500	30
QR5585.B015	1/4	1.5	.289	.290	.310	0.500	32
QR5585.B016	1/4	1.6	.289	.290	.310	0.500	33
QR5585.B021	1/4	2.1	.289	.290	.310	0.500	36
QR5585.B026	1/4	2.6	.289	.290	.310	0.500	40
QR5585.B040	1/4	4.0	.289	.290	.310	0.500	49
QR5585.C003	5/16	0.3	.375	.330	.310	0.500	27
QR5585.C006	5/16	0.6	.375	.330	.310	0.500	30
QR5585.C010	5/16	1.0	.375	.330	.310	0.500	34
QR5585.C013	5/16	1.3	.375	.330	.310	0.500	36
QR5585.C016	5/16	1.6	.375	.330	.310	0.500	39



Order No.	Dia. Ø inch nom.	Grip l inch	b ₁	c ₁	Ø d max.	Ø e max.	Weight g
QR5585.C018	5/16	1.8	.375	.330	.310	0.500	41
QR5585.C020	5/16	2.0	.375	.330	.310	0.500	43
QR5585.C023	5/16	2.3	.375	.330	.310	0.500	45
QR5585.C029	5/16	2.9	.375	.330	.310	0.500	52
QR5585.C030	5/16	3.0	.375	.330	.310	0.500	53
QR5585.C033	5/16	3.3	.375	.330	.310	0.500	56
QR5585.C040	5/16	4.0	.375	.330	.310	0.500	62
QR5585.C050	5/16	5.0	.375	.330	.310	0.500	75
QR5585.C064	5/16	6.4	.375	.330	.310	0.500	89
QR5585.D005	3/8	0.5	.440	.365	.390	0.625	43
QR5585.D010	3/8	1.0	.440	.365	.390	0.625	48
QR5585.D015	3/8	1.5	.440	.365	.390	0.625	57
QR5585.D020	3/8	2.0	.440	.365	.390	0.625	60
QR5585.D024	3/8	2.4	.440	.365	.390	0.625	69
QR5585.D025	3/8	2.5	.440	.365	.390	0.625	72
QR5585.D026	3/8	2.6	.440	.365	.390	0.625	72
QR5585.D031	3/8	3.1	.440	.365	.390	0.625	80
QR5585.D032	3/8	3.2	.440	.365	.390	0.625	80
QR5585.D035	3/8	3.5	.440	.365	.390	0.625	85
QR5585.D040	3/8	4.0	.440	.365	.390	0.625	91
QR5585.E012	7/16	1.2	.509	.380	.390	0.625	60
QR5585.E018	7/16	1.8	.509	.380	.390	0.625	69
QR5585.E026	7/16	2.6	.509	.380	.390	0.625	90
QR5585.E040	7/16	4.0	.509	.380	.390	0.625	113
QR5585.E055	7/16	5.5	.509	.380	.390	0.625	145
QR5585.F010	1/2	1.0	.594	.460	.565	0.800	82
QR5585.F012	1/2	1.2	.594	.460	.565	0.800	87
QR5585.F015	1/2	1.5	.594	.460	.565	0.800	94
QR5585.F019	1/2	1.9	.594	.460	.565	0.800	106
QR5585.F020	1/2	2.0	.594	.460	.565	0.800	108
QR5585.F024	1/2	2.4	.594	.460	.565	0.800	117
QR5585.F029	1/2	2.9	.594	.460	.565	0.800	130
QR5585.F031	1/2	3.1	.594	.460	.565	0.800	135
QR5585.F036	1/2	3.6	.594	.460	.565	0.800	147
QR5585.F037	1/2	3.7	.594	.460	.565	0.800	146
QR5585.F047	1/2	4.7	.594	.460	.565	0.800	177
QR5585.F048	1/2	4.8	.594	.460	.565	0.800	179
QR5585.F064	1/2	6.4	.594	.460	.565	0.800	218
QR5585.G040	9/16	4.0	.666	.510	.565	0.800	190
QR5585.G061	9/16	6.1	.666	.510	.565	0.800	252

Order No.	Ø f max.	g ₁	h ₁	Shearing resistance, double lb min.	Location hole dia. max.	MS Part No.
QR5585.A005	1.815	1.27	0.800	5.150	0.1940	MS17985C305
QR5585.A008	1.815	1.27	0.800	5.150	0.1940	MS17985C308
QR5585.A012	1.815	1.27	0.800	5.150	0.1940	MS17985C312
QR5585.A013	1.815	1.27	0.800	5.150	0.1940	MS17985C313
QR5585.A014	1.815	1.27	0.800	5.150	0.1940	MS17985C314
QR5585.A026	1.815	1.27	0.800	5.150	0.1940	MS17985C326
QR5585.B005	1.815	1.27	0.800	9.200	0.2540	MS17985C405
QR5585.B009	1.815	1.27	0.800	9.200	0.2540	MS17985C409
QR5585.B011	1.815	1.27	0.800	9.200	0.2540	MS17985C411
QR5585.B012	1.815	1.27	0.800	9.200	0.2540	MS17985C412
QR5585.B015	1.815	1.27	0.800	9.200	0.2540	MS17985C415
QR5585.B016	1.815	1.27	0.800	9.200	0.2540	MS17985C416
QR5585.B021	1.815	1.27	0.800	9.200	0.2540	MS17985C421
QR5585.B026	1.815	1.27	0.800	9.200	0.2540	MS17985C426
QR5585.B040	1.815	1.27	0.800	9.200	0.2540	MS17985C440
QR5585.C003	1.815	1.27	0.800	14.400	0.3165	MS17985C503
QR5585.C006	1.815	1.27	0.800	14.400	0.3165	MS17985C506
QR5585.C010	1.815	1.27	0.800	14.400	0.3165	MS17985C510
QR5585.C013	1.815	1.27	0.800	14.400	0.3165	MS17985C513
QR5585.C016	1.815	1.27	0.800	14.400	0.3165	MS17985C516
QR5585.C018	1.815	1.27	0.800	14.400	0.3165	MS17985C518
QR5585.C020	1.815	1.27	0.800	14.400	0.3165	MS17985C520
QR5585.C023	1.815	1.27	0.800	14.400	0.3165	MS17985C523



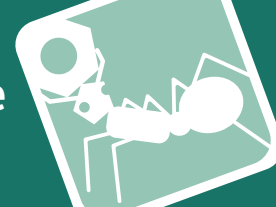
Aviation Pip-Pin - Standard T-Handle

single acting - quick release pins - according to

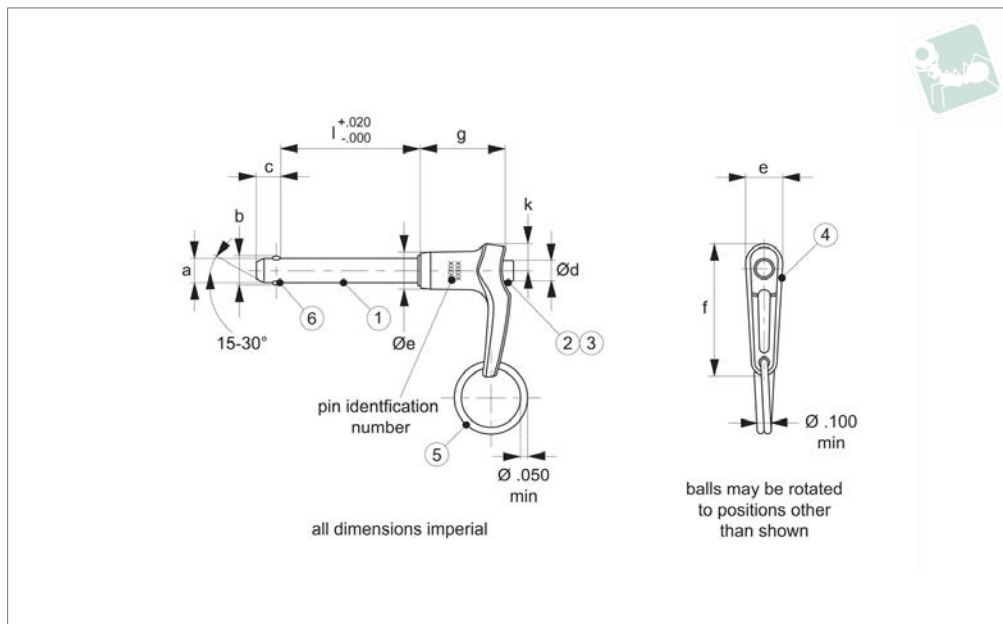
Quick Release Pins

Order No.	Ø f max.	g ₁	h ₁	Shearing resistance, double lb min.	Location hole dia. max.	MS Part No.
QR5585.C029	1.815	1.27	0.800	14.400	0.3165	MS17985C529
QR5585.C030	1.815	1.27	0.800	14.400	0.3165	MS17985C530
QR5585.C033	1.815	1.27	0.800	14.400	0.3165	MS17985C533
QR5585.C040	1.815	1.27	0.800	14.400	0.3165	MS17985C540
QR5585.C050	1.815	1.27	0.800	14.400	0.3165	MS17985C550
QR5585.C064	1.815	1.27	0.800	14.400	0.3165	MS17985C564
QR5585.D005	2.065	1.45	0.850	20.700	0.3790	MS17985C605
QR5585.D010	2.065	1.45	0.850	20.700	0.3790	MS17985C610
QR5585.D015	2.065	1.45	0.850	20.700	0.3790	MS17985C615
QR5585.D020	2.065	1.45	0.850	20.700	0.3790	MS17985C620
QR5585.D024	2.065	1.45	0.850	20.700	0.3790	MS17985C624
QR5585.D025	2.065	1.45	0.850	20.700	0.3790	MS17985C625
QR5585.D026	2.065	1.45	0.850	20.700	0.3790	MS17985C626
QR5585.D031	2.065	1.45	0.850	20.700	0.3790	MS17985C631
QR5585.D032	2.065	1.45	0.850	20.700	0.3790	MS17985C632
QR5585.D035	2.065	1.45	0.850	20.700	0.3790	MS17985C635
QR5585.D040	2.065	1.45	0.850	20.700	0.3790	MS17985C640
QR5585.E012	2.065	1.47	0.850	28.500	0.4425	MS17985C712
QR5585.E018	2.065	1.47	0.850	28.500	0.4425	MS17985C718
QR5585.E026	2.065	1.47	0.850	28.500	0.4425	MS17985C726
QR5585.E040	2.065	1.47	0.850	28.500	0.4425	MS17985C740
QR5585.E055	2.065	1.47	0.850	28.500	0.4425	MS17985C755
QR5585.F010	2.345	1.60	0.885	36.900	0.5050	MS17985C810
QR5585.F012	2.345	1.60	0.885	36.900	0.5050	MS17985C812
QR5585.F015	2.345	1.60	0.885	36.900	0.5050	MS17985C815
QR5585.F019	2.345	1.60	0.885	36.900	0.5050	MS17985C819
QR5585.F020	2.345	1.60	0.885	36.900	0.5050	MS17985C820
QR5585.F024	2.345	1.60	0.885	36.900	0.5050	MS17985C824
QR5585.F029	2.345	1.60	0.885	36.900	0.5050	MS17985C829
QR5585.F031	2.345	1.60	0.885	36.900	0.5050	MS17985C831
QR5585.F036	2.345	1.60	0.885	36.900	0.5050	MS17985C836
QR5585.F037	2.345	1.60	0.885	36.900	0.5050	MS17985C837
QR5585.F047	2.345	1.60	0.885	36.900	0.5050	MS17985C847
QR5585.F048	2.345	1.60	0.885	36.900	0.5050	MS17985C848
QR5585.F064	2.345	1.60	0.885	36.900	0.5050	MS17985C864
QR5585.G040	2.345	1.60	0.885	46.700	0.5675	MS17985C940
QR5585.G061	2.345	1.60	0.885	46.700	0.5675	MS17985C961

QUICK RELEASE PINS



QR5586



Material

Shank (part 1) & spindle (part 2):

CRES 17-4PH (AMS 5643), heat treated per MIL-H-6875, condition H900, min. 40 HRC, passivated per AMS2700.

Spring (part 3, not shown):

CRES 302 (ASTM-A-313), heat treated per MIL-H-6875, passivated per AMS2700.

Handle (part 4):

A380 (QQ-A-591), anodized (black) per MIL-A-8625.

Attaching ring (part 5):

CRES 302 (ASTM-A-313), passivated per AMS2700.

Ball (locking element, part 6):

CRES CL440C (AMS5630), heat treated per MIL-H-6875, passivated per AMS2700.

Technical Notes

Wixroyd Aviation Pip-pins manufactured to Aviation Norm NASM 17986 (former norm: MS 17986) and tested to NAS 1332.

Manufacture certified & assessed to EN9100D by EASE (European Aerospace Supplier Evaluation).

Temp. range -22°F to 302°F

Pressing = unlocking.

Releasing = locking.

Pip-pins are used for frequently repeated operations such as quick fastening, locking, adjusting, changing and securing. All dimensions shown are imperial.

Tips

We can manufacture specials (both metric & imperial) to your drawing, and are certified to produce to NASM standards.

Wixroyd Aviation Pip-Pins can be produced within the following dimensions:

+ diameter: from 3/16" to 1"

+ grip length: from 0.3" to 9.9"

Quick production time on small batches.

Order No.	Dia. Ø nom.	Grip l	b	c	Ø d max.	Ø e max.	Weight g
QR5586.A005	3/16	0.5	.594	.460	.565	0.500	23
QR5586.A008	3/16	0.8	.594	.460	.565	0.500	26
QR5586.A010	3/16	1.0	.594	.460	.565	0.500	26
QR5586.A013	3/16	1.3	.594	.460	.565	0.500	28
QR5586.A014	3/16	1.4	.594	.460	.565	0.500	28
QR5586.A017	3/16	1.7	.594	.460	.565	0.500	27
QR5586.B012	1/4	1.2	.594	.460	.565	0.500	32
QR5586.B015	1/4	1.5	.594	.460	.565	0.500	33
QR5586.B016	1/4	1.6	.594	.460	.565	0.500	33
QR5586.B021	1/4	2.1	.594	.460	.565	0.500	36
QR5586.C004	5/16	0.4	.594	.460	.565	0.500	29
QR5586.C006	5/16	0.6	.594	.460	.565	0.500	30
QR5586.C010	5/16	1.0	.594	.460	.565	0.500	34
QR5586.C013	5/16	1.3	.594	.460	.565	0.500	37
QR5586.C016	5/16	1.6	.594	.460	.565	0.500	40
QR5586.C018	5/16	1.8	.594	.460	.565	0.500	43
QR5586.C020	5/16	2.0	.594	.460	.565	0.500	41
QR5586.C023	5/16	2.3	.594	.460	.565	0.500	46
QR5586.C029	5/16	2.9	.594	.460	.565	0.500	54
QR5586.C030	5/16	3.0	.594	.460	.565	0.500	53
QR5586.C033	5/16	3.3	.594	.460	.565	0.500	57



Aviation Pip-Pin, Standard LA Handle

single acting, quick release pins - according to

Quick Release Pins

Order No.	Dia. Ø nom.	Grip l	b	c	Ø d max.	Ø e max.	Weight g
QR5586.C040	5/16	4.0	.594	.460	.565	0.500	64
QR5586.D010	3/8	1.0	.594	.460	.565	0.625	49
QR5586.D015	3/8	1.5	.594	.460	.565	0.625	59
QR5586.D024	3/8	2.4	.594	.460	.565	0.625	71
QR5586.D026	3/8	2.6	.594	.460	.565	0.625	73
QR5586.E012	7/16	1.2	.594	.460	.565	0.625	61
QR5586.E040	7/16	4.0	.594	.460	.565	0.625	115
QR5586.E055	7/16	5.5	.594	.460	.565	0.625	146
QR5586.F010	1/2	1.0	.594	.460	.565	0.800	83
QR5586.F015	1/2	1.5	.594	.460	.565	0.800	95
QR5586.F019	1/2	1.9	.594	.460	.565	0.800	103
QR5586.F042	1/2	4.2	.594	.460	.565	0.800	160
QR5586.G017	9/16	1.7	.594	.460	.565	0.800	116
QR5586.G025	9/16	2.5	.594	.460	.565	0.800	140
QR5586.G040	9/16	4.0	.594	.460	.565	0.800	189
QR5586.G060	9/16	6.0	.594	.460	.565	0.800	249
QR5586.G075	9/16	7.5	.594	.460	.565	0.800	298

Order No.	Ø f max.	g max.	h min.	k max.	Shearing resistance, double		Location hole dia. max.	MS Part No.
					lb min.	min.		
QR5586.A005	1.80	1.27	0.76	0.34	5.150		0.1940	MS17986C305
QR5586.A008	1.80	1.27	0.76	0.34	5.150		0.1940	MS17986C308
QR5586.A010	1.80	1.27	0.76	0.34	5.150		0.1940	MS17986C310
QR5586.A013	1.80	1.27	0.76	0.34	5.150		0.1940	MS17986C313
QR5586.A014	1.80	1.27	0.76	0.34	5.150		0.1940	MS17986C314
QR5586.A017	1.80	1.27	0.76	0.34	5.150		0.1940	MS17986C317
QR5586.B012	1.80	1.27	0.76	0.34	9.200		0.2540	MS17986C412
QR5586.B015	1.80	1.27	0.76	0.34	9.200		0.2540	MS17986C415
QR5586.B016	1.80	1.27	0.76	0.34	9.200		0.2540	MS17986C416
QR5586.B021	1.80	1.27	0.76	0.34	9.200		0.2540	MS17986C421
QR5586.C004	1.80	1.27	0.76	0.34	14400		0.3165	MS17986C504
QR5586.C006	1.80	1.27	0.76	0.34	14400		0.3165	MS17986C506
QR5586.C010	1.80	1.27	0.76	0.34	14400		0.3165	MS17986C510
QR5586.C013	1.80	1.27	0.76	0.34	14400		0.3165	MS17986C513
QR5586.C016	1.80	1.27	0.76	0.34	14400		0.3165	MS17986C516
QR5586.C018	1.80	1.27	0.76	0.34	14400		0.3165	MS17986C518
QR5586.C020	1.80	1.27	0.76	0.34	14400		0.3165	MS17986C520
QR5586.C023	1.80	1.27	0.76	0.34	14400		0.3165	MS17986C523
QR5586.C029	1.80	1.27	0.76	0.34	14400		0.3165	MS17986C529
QR5586.C030	1.80	1.27	0.76	0.34	14400		0.3165	MS17986C530
QR5586.C033	1.80	1.27	0.76	0.34	14400		0.3165	MS17986C533
QR5586.C040	1.80	1.27	0.76	0.34	14400		0.3165	MS17986C540
QR5586.D010	2.03	1.45	0.85	0.39	20700		0.3790	MS17986C610
QR5586.D015	2.03	1.45	0.85	0.39	20700		0.3790	MS17986C615
QR5586.D024	2.03	1.45	0.85	0.39	20700		0.3790	MS17986C624
QR5586.D026	2.03	1.45	0.85	0.39	20700		0.3790	MS17986C626
QR5586.E012	2.03	1.47	0.85	0.39	28500		0.4425	MS17986C712
QR5586.E040	2.03	1.47	0.85	0.39	28500		0.4425	MS17986C740
QR5586.E055	2.03	1.47	0.85	0.39	28500		0.4425	MS17986C755
QR5586.F010	2.36	1.60	0.85	0.50	36900		0.5050	MS17986C810
QR5586.F015	2.36	1.60	0.85	0.50	36900		0.5050	MS17986C815
QR5586.F019	2.36	1.60	0.85	0.50	36900		0.5050	MS17986C819
QR5586.F042	2.36	1.60	0.85	0.50	36900		0.5050	MS17986C842
QR5586.G017	2.36	1.60	0.85	0.50	46700		0.5675	MS17986C917
QR5586.G025	2.36	1.60	0.85	0.50	46700		0.5675	MS17986C925
QR5586.G040	2.36	1.60	0.85	0.50	46700		0.5675	MS17986C940
QR5586.G060	2.36	1.60	0.85	0.50	46700		0.5675	MS17986C960
QR5586.G075	2.36	1.60	0.85	0.50	46700		0.5675	MS17986C975

QUICK RELEASE PINS

Quick Release Pins

Aviation Pip-Pin, Standard R Handle

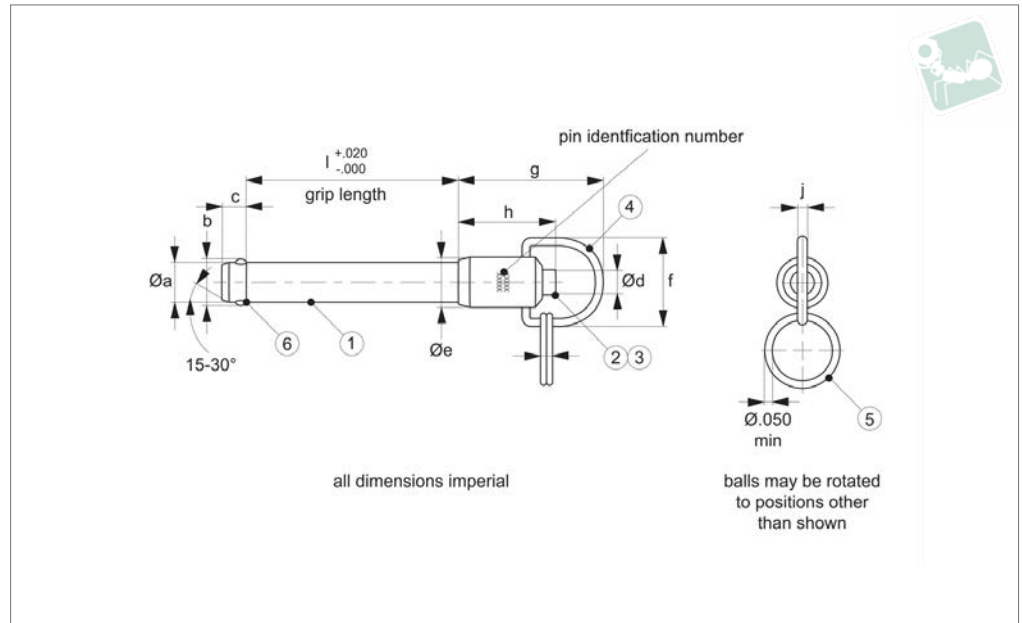
single acting, quick release pins - according to



QUICK RELEASE PINS



QR5587



Material

Shank (part 1) & spindle (part 2):

CRES 17-4PH (AMS 5643), heat treated per MIL-H-6875, condition H900, min. 40 HRC, passivated per AMS2700.

Spring (part 3, not shown):

CRES 302 (ASTM-A-313), heat treated per MIL-H-6875, passivated per AMS2700.

Handle (part 4):

CRES 302 (ASTM-A-313), passivated per AMS2700.

Attaching ring (part 5):

CRES 302 (ASTM-A-313), passivated per AMS2700.

Ball (locking element, part 6):

CRES CL440C (AMS5630), heat treated per MIL-H-6875, passivated per AMS2700.

Technical Notes

Wixroyd Aviation Pip-pins manufactured to Aviation Norm NASM 17987 (former norm: MS 17987) and tested to NAS 1332.

Manufacture certified & assessed to EN9100D by EASE (European Aerospace Supplier Evaluation).

Temp. range -22°F to 302°F

Pressing = unlocking.

Releasing = locking.

Pip-pins are used for frequently repeated operations such as quick fastening, locking, adjusting, changing and securing. All dimensions shown are imperial.

Tips

We can manufacture specials (both metric & imperial) to your drawing, and are certified to produce to NASM standards.

Wixroyd Aviation Pip-Pins can be produced within the following dimensions:

+ diameter: from 3/16" to 1"

+ grip length: from 0.3" to 9.9"

Quick production time on small batches.

Order No.	Dia. Ø nom.	Grip l	b	c	Ø d max.	Ø e max.	Weight g
QR5587.A008	3/16	0.8	.594	.460	.565	0.53	24
QR5587.A009	3/16	0.9	.594	.460	.565	0.53	24
QR5587.A010	3/16	1.0	.594	.460	.565	0.53	24
QR5587.A011	3/16	1.1	.594	.460	.565	0.53	25
QR5587.A012	3/16	1.2	.594	.460	.565	0.53	25
QR5587.A015	3/16	1.5	.594	.460	.565	0.53	26
QR5587.A016	3/16	1.6	.594	.460	.565	0.53	26
QR5587.A025	3/16	2.5	.594	.460	.565	0.53	30
QR5587.B005	1/4	0.5	.594	.460	.565	0.53	24
QR5587.B006	1/4	0.6	.594	.460	.565	0.53	25
QR5587.B007	1/4	0.7	.594	.460	.565	0.53	26
QR5587.B008	1/4	0.8	.594	.460	.565	0.53	27
QR5587.B009	1/4	0.9	.594	.460	.565	0.53	27
QR5587.B010	1/4	1.0	.594	.460	.565	0.53	27
QR5587.B011	1/4	1.1	.594	.460	.565	0.53	28
QR5587.B012	1/4	1.2	.594	.460	.565	0.53	29
QR5587.B014	1/4	1.4	.594	.460	.565	0.53	30
QR5587.B015	1/4	1.5	.594	.460	.565	0.53	31
QR5587.B017	1/4	1.7	.594	.460	.565	0.53	32
QR5587.B019	1/4	1.9	.594	.460	.565	0.53	33
QR5587.B022	1/4	2.2	.594	.460	.565	0.53	36



Aviation Pip-Pin, Standard R Handle

single acting, quick release pins - according to

Quick Release Pins

QUICK RELEASE PINS

Order No.	Dia. Ø nom.	Grip l	b	c	Ø d max.	Ø e max.	Weight g
QR5587.B040	1/4	4.0	.594	.460	.565	0.53	47
QR5587.C006	5/16	0.6	.594	.460	.565	0.59	30
QR5587.C007	5/16	0.7	.594	.460	.565	0.59	31
QR5587.C008	5/16	0.8	.594	.460	.565	0.59	33
QR5587.C009	5/16	0.9	.594	.460	.565	0.59	34
QR5587.C011	5/16	1.1	.594	.460	.565	0.59	35
QR5587.C012	5/16	1.2	.594	.460	.565	0.59	36
QR5587.C013	5/16	1.3	.594	.460	.565	0.59	38
QR5587.C018	5/16	1.8	.594	.460	.565	0.59	42
QR5587.C020	5/16	2.0	.594	.460	.565	0.59	43
QR5587.C023	5/16	2.3	.594	.460	.565	0.59	46
QR5587.C026	5/16	2.6	.594	.460	.565	0.59	48
QR5587.C033	5/16	3.3	.594	.460	.565	0.59	56
QR5587.C035	5/16	3.5	.594	.460	.565	0.59	59
QR5587.C067	5/16	6.7	.594	.460	.565	0.59	92
QR5587.D008	3/8	0.8	.594	.460	.565	0.65	49
QR5587.D009	3/8	0.9	.594	.460	.565	0.65	50
QR5587.D010	3/8	1.0	.594	.460	.565	0.65	52
QR5587.D011	3/8	1.1	.594	.460	.565	0.65	53
QR5587.D012	3/8	1.2	.594	.460	.565	0.65	54
QR5587.D013	3/8	1.3	.594	.460	.565	0.65	55
QR5587.D014	3/8	1.4	.594	.460	.565	0.65	55
QR5587.D016	3/8	1.6	.594	.460	.565	0.65	61
QR5587.D026	3/8	2.6	.594	.460	.565	0.65	73
QR5587.D030	3/8	3.0	.594	.460	.565	0.65	80
QR5587.D031	3/8	3.1	.594	.460	.565	0.65	82
QR5587.E008	7/16	0.8	.594	.460	.565	0.71	56
QR5587.E020	7/16	2.0	.594	.460	.565	0.71	81
QR5587.E022	7/16	2.2	.594	.460	.565	0.71	81
QR5587.E024	7/16	2.4	.594	.460	.565	0.71	88
QR5587.E026	7/16	2.6	.594	.460	.565	0.71	88
QR5587.F011	1/2	1.1	.594	.460	.565	0.80	88
QR5587.F012	1/2	1.2	.594	.460	.565	0.80	91
QR5587.F013	1/2	1.3	.594	.460	.565	0.80	93
QR5587.F014	1/2	1.4	.594	.460	.565	0.80	96
QR5587.F015	1/2	1.5	.594	.460	.565	0.80	98
QR5587.F033	1/2	3.3	.594	.460	.565	0.80	141
QR5587.F039	1/2	3.9	.594	.460	.565	0.80	160
QR5587.F050	1/2	5.0	.594	.460	.565	0.80	187
QR5587.F053	1/2	5.3	.594	.460	.565	0.80	186
QR5587.F065	1/2	6.5	.594	.460	.565	0.80	215
QR5587.F080	1/2	8.0	.594	.460	.565	0.80	260
QR5587.G013	9/16	1.3	.594	.460	.565	0.84	120
QR5587.G030	9/16	3.0	.594	.460	.565	0.84	166
QR5587.G037	9/16	3.7	.594	.460	.565	0.84	183

Order No.	Ø f max.	g max.	h min.	Shearing resistance, double		Location hole dia. max.	MS Part No.
				lb	min.		
QR5587.A008	1.45	0.73	0.08	5.150		0.1940	MS17987C308
QR5587.A009	1.45	0.73	0.08	5.150		0.1940	MS17987C309
QR5587.A010	1.45	0.73	0.08	5.150		0.1940	MS17987C310
QR5587.A011	1.45	0.73	0.08	5.150		0.1940	MS17987C311
QR5587.A012	1.45	0.73	0.08	5.150		0.1940	MS17987C312
QR5587.A015	1.45	0.73	0.08	5.150		0.1940	MS17987C315
QR5587.A016	1.45	0.73	0.08	5.150		0.1940	MS17987C316
QR5587.A025	1.45	0.73	0.08	5.150		0.1940	MS17987C325
QR5587.B005	1.50	0.78	0.08	9.200		0.2540	MS17987C405
QR5587.B006	1.50	0.78	0.08	9.200		0.2540	MS17987C406
QR5587.B007	1.50	0.78	0.08	9.200		0.2540	MS17987C407
QR5587.B008	1.50	0.78	0.08	9.200		0.2540	MS17987C408
QR5587.B009	1.50	0.78	0.08	9.200		0.2540	MS17987C409
QR5587.B010	1.50	0.78	0.08	9.200		0.2540	MS17987C410
QR5587.B011	1.50	0.78	0.08	9.200		0.2540	MS17987C411
QR5587.B012	1.50	0.78	0.08	9.200		0.2540	MS17987C412
QR5587.B014	1.50	0.78	0.08	9.200		0.2540	MS17987C414
QR5587.B015	1.50	0.78	0.08	9.200		0.2540	MS17987C415
QR5587.B017	1.50	0.78	0.08	9.200		0.2540	MS17987C417

Quick Release Pins

Aviation Pip-Pin, Standard R Handle

single acting, quick release pins - according to



QUICK RELEASE PINS

Order No.	Ø f max.	g max.	h min.	Shearing resistance, double		Location hole dia. max.	MS Part No.
				lb min.	min.		
QR5587.B019	1.50	0.78	0.08	9.200		0.2540	MS17987C419
QR5587.B022	1.50	0.78	0.08	9.200		0.2540	MS17987C422
QR5587.B040	1.50	0.78	0.08	9.200		0.2540	MS17987C440
QR5587.C006	1.65	0.83	0.08	14400		0.3165	MS17987C506
QR5587.C007	1.65	0.83	0.08	14400		0.3165	MS17987C507
QR5587.C008	1.65	0.83	0.08	14400		0.3165	MS17987C508
QR5587.C009	1.65	0.83	0.08	14400		0.3165	MS17987C509
QR5587.C011	1.65	0.83	0.08	14400		0.3165	MS17987C511
QR5587.C012	1.65	0.83	0.08	14400		0.3165	MS17987C512
QR5587.C013	1.65	0.83	0.08	14400		0.3165	MS17987C513
QR5587.C018	1.65	0.83	0.08	14400		0.3165	MS17987C518
QR5587.C020	1.65	0.83	0.08	14400		0.3165	MS17987C520
QR5587.C023	1.65	0.83	0.08	14400		0.3165	MS17987C523
QR5587.C026	1.65	0.83	0.08	14400		0.3165	MS17987C526
QR5587.C033	1.65	0.83	0.08	14400		0.3165	MS17987C533
QR5587.C035	1.65	0.83	0.08	14400		0.3165	MS17987C535
QR5587.C067	1.65	0.83	0.08	14400		0.3165	MS17987C567
QR5587.D008	1.65	0.94	0.08	20700		0.3790	MS17987C608
QR5587.D009	1.65	0.94	0.08	20700		0.3790	MS17987C609
QR5587.D010	1.65	0.94	0.08	20700		0.3790	MS17987C610
QR5587.D011	1.65	0.94	0.08	20700		0.3790	MS17987C611
QR5587.D012	1.65	0.94	0.08	20700		0.3790	MS17987C612
QR5587.D013	1.65	0.94	0.08	20700		0.3790	MS17987C613
QR5587.D014	1.65	0.94	0.08	20700		0.3790	MS17987C614
QR5587.D016	1.65	0.94	0.08	20700		0.3790	MS17987C616
QR5587.D026	1.65	0.94	0.08	20700		0.3790	MS17987C626
QR5587.D030	1.65	0.94	0.08	20700		0.3790	MS17987C630
QR5587.D031	1.65	0.94	0.08	20700		0.3790	MS17987C631
QR5587.E008	1.85	0.98	0.08	28500		0.4425	MS17987C708
QR5587.E020	1.85	0.98	0.08	28500		0.4425	MS17987C720
QR5587.E022	1.85	0.98	0.08	28500		0.4425	MS17987C722
QR5587.E024	1.85	0.98	0.08	28500		0.4425	MS17987C724
QR5587.E026	1.85	0.98	0.08	28500		0.4425	MS17987C726
QR5587.F011	1.85	1.14	0.08	36900		0.5050	MS17987C811
QR5587.F012	1.85	1.14	0.08	36900		0.5050	MS17987C812
QR5587.F013	1.85	1.14	0.08	36900		0.5050	MS17987C813
QR5587.F014	1.85	1.14	0.08	36900		0.5050	MS17987C814
QR5587.F015	1.85	1.14	0.08	36900		0.5050	MS17987C815
QR5587.F033	1.85	1.14	0.08	36900		0.5050	MS17987C833
QR5587.F039	1.85	1.14	0.08	33900		0.5050	MS17987C839
QR5587.F050	1.85	1.14	0.08	36900		0.5050	MS17987C850
QR5587.F053	1.85	1.14	0.08	36900		0.5050	MS17987C853
QR5587.F065	1.85	1.14	0.08	36900		0.5050	MS17987C865
QR5587.F080	1.85	1.14	0.08	36900		0.5050	MS17987C880
QR5587.G013	2.03	1.14	0.08	46700		0.5675	MS17987C913
QR5587.G030	2.03	1.14	0.08	46700		0.5675	MS17987C930
QR5587.G037	2.03	1.14	0.08	46700		0.5675	MS17987C937