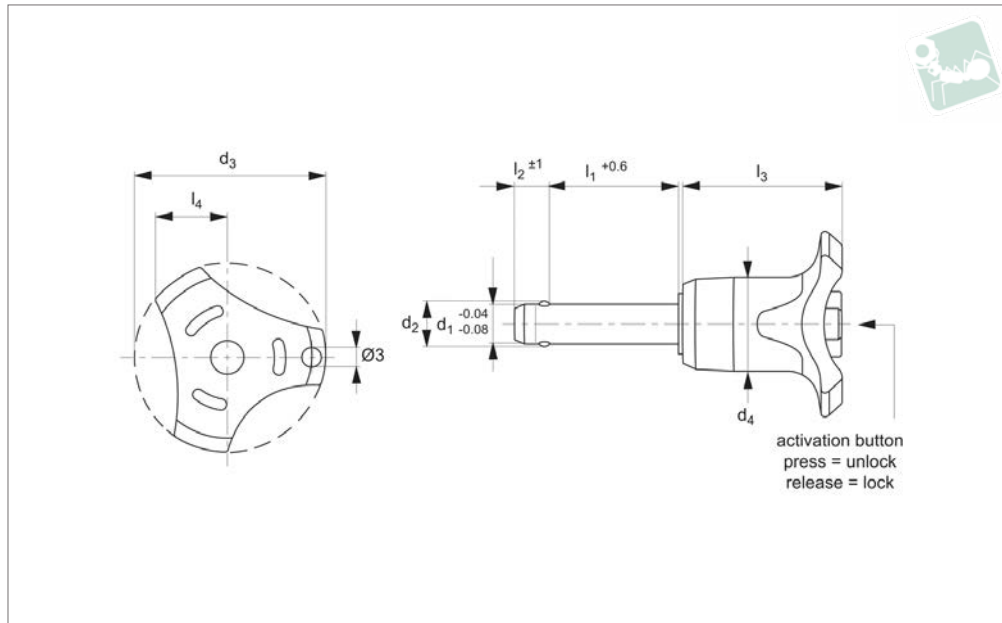




# Ball Lock Pins - Single Acting - Black

self-locking - stainless steel 1.4305 (AISI 303)

## Quick Release Pins



**QR1704**

QUICK RELEASE PINS

### Material

Pin: stainless steel 1.4542 (AISI 630)  
 Ball: stainless steel 1.3541  
 Spring: stainless steel.  
 Handle: thermoplastic PA 6.  
 Available colours: grey/orange, grey/blue, grey/grey.

### Technical Notes

Pressing = unlocking.

Releasing = locking.

Temperature resistance -30°C to +80°C.  
 For quick fastening and locking of frequently repeated connections.

### Tips

For lanyards & retaining cables see part no.LA1066-LA1092. Easy install locating bushes available see part no.LA1310 + .

### Important Notes

\*Shearing resistance similar to DIN 50141.  
 Also available in stainless grade 1.4542 (AISI 630) for higher shear forces, see part no.33060.

Order No.	d <sub>1</sub>	l <sub>1</sub>	d <sub>2</sub>	d <sub>3</sub>	d <sub>4</sub>	l <sub>2</sub>	l <sub>3</sub>	l <sub>4</sub>	Loc'n hole tol. H11	Shearing resistance, double kN min.	Weight g
QR1704.M05-010-S	5	10	5.5	33.2	14.5	6.0	26.7	10.8	5	14	15
QR1704.M05-015-S	5	15	5.5	33.2	14.5	6.0	26.7	10.8	5	14	15
QR1704.M05-020-S	5	20	5.5	33.2	14.5	6.0	26.7	10.8	5	14	16
QR1704.M05-030-S	5	30	5.5	33.2	14.5	6.0	26.7	10.8	5	14	18
QR1704.M06-010-S	6	10	7.0	33.2	14.5	7.0	26.7	10.8	6	21	16
QR1704.M06-015-S	6	15	7.0	33.2	14.5	7.0	26.7	10.8	6	21	17
QR1704.M06-020-S	6	20	7.0	33.2	14.5	7.0	26.7	10.8	6	21	18
QR1704.M06-025-S	6	25	7.0	33.2	14.5	7.0	26.7	10.8	6	21	19
QR1704.M06-030-S	6	30	7.0	33.2	14.5	7.0	26.7	10.8	6	21	20
QR1704.M06-035-S	6	35	7.0	33.2	14.5	7.0	26.7	10.8	6	21	21
QR1704.M06-045-S	6	45	7.0	33.2	14.5	7.0	26.7	10.8	6	21	23
QR1704.M06-050-S	6	50	7.0	33.2	14.5	7.0	26.7	10.8	6	21	24
QR1704.M08-020-S	8	20	9.6	39.2	19.3	8.2	33.3	13.4	8	38	40
QR1704.M08-025-S	8	25	9.6	39.2	19.3	8.2	33.3	13.4	8	38	42
QR1704.M08-030-S	8	30	9.6	39.2	19.3	8.2	33.3	13.4	8	38	44
QR1704.M08-035-S	8	35	9.6	39.2	19.3	8.2	33.3	13.4	8	38	46
QR1704.M08-040-S	8	40	9.6	39.2	19.3	8.2	33.3	13.4	8	38	47
QR1704.M08-045-S	8	45	9.6	39.2	19.3	8.2	33.3	13.4	8	38	49
QR1704.M08-050-S	8	50	9.6	39.2	19.3	8.2	33.3	13.4	8	38	51
QR1704.M10-020-S	10	20	12.0	39.2	19.3	9.6	33.3	13.4	10	60	47
QR1704.M10-025-S	10	25	12.0	39.2	19.3	9.6	33.3	13.4	10	60	49
QR1704.M10-030-S	10	30	12.0	39.2	19.3	9.6	33.3	13.4	10	60	53
QR1704.M10-035-S	10	35	12.0	39.2	19.3	9.6	33.3	13.4	10	60	55
QR1704.M10-040-S	10	40	12.0	39.2	19.3	9.6	33.3	13.4	10	60	58
QR1704.M10-045-S	10	45	12.0	39.2	19.3	9.6	33.3	13.4	10	60	61
QR1704.M10-050-S	10	50	12.0	39.2	19.3	9.6	33.3	13.4	10	60	64
QR1704.M10-060-S	10	60	12.0	39.2	19.3	9.6	33.3	13.4	10	60	70

# Quick Release Pins

## Ball Lock Pins - Single Acting - Black

self-locking - stainless steel 1.4305 (AISI 303)



QUICK RELEASE PINS

Order No.	d <sub>1</sub>	l <sub>1</sub>	d <sub>2</sub>	d <sub>3</sub>	d <sub>4</sub>	l <sub>2</sub>	l <sub>3</sub>	l <sub>4</sub>	Loc'n hole tol. H11	Shearing resistance, double kN min.	Weight g
QR1704.M12-025-S	12	25	14.5	47.6	26.3	10.6	39.7	16.7	12	87	96
QR1704.M12-035-S	12	35	14.5	47.6	26.3	10.6	39.7	16.7	12	87	105
QR1704.M12-045-S	12	45	14.5	47.6	26.3	10.6	39.7	16.7	12	87	113
QR1704.M12-050-S	12	50	14.5	47.6	26.3	10.6	39.7	16.7	12	87	117
QR1704.M12-060-S	12	60	14.5	47.6	26.3	10.6	39.7	16.7	12	87	126
QR1704.M12-070-S	12	70	14.5	47.6	26.3	10.6	39.7	16.7	12	87	134
QR1704.M12-080-S	12	80	14.5	47.6	26.3	10.6	39.7	16.7	12	87	143
QR1704.M16-030-S	16	30	19.0	47.6	26.3	14.0	39.7	16.7	16	155	132
QR1704.M16-035-S	16	35	19.0	47.6	26.3	14.0	39.7	16.7	16	155	140
QR1704.M16-040-S	16	40	19.0	47.6	26.3	14.0	39.7	16.7	16	155	148
QR1704.M16-045-S	16	45	19.0	47.6	26.3	14.0	39.7	16.7	16	155	155
QR1704.M16-050-S	16	50	19.0	47.6	26.3	14.0	39.7	16.7	16	155	168
QR1704.M16-060-S	16	60	19.0	47.6	26.3	14.0	39.7	16.7	16	155	178
QR1704.M16-070-S	16	70	19.0	47.6	26.3	14.0	39.7	16.7	16	155	194
QR1704.M16-080-S	16	80	19.0	47.6	26.3	14.0	39.7	16.7	16	155	208
QR1704.M20-060-S	20	60	25.0	57.1	35.4	20.5	50.7	21.5	20	244	343
QR1704.M20-080-S	20	80	25.0	57.1	35.4	20.5	50.7	21.5	20	244	392
QR1704.M20-100-S	20	100	25.0	57.1	35.4	20.5	50.7	21.5	20	244	440
QR1704.M20-120-S	20	120	25.0	57.1	35.4	20.5	50.7	21.5	20	244	488

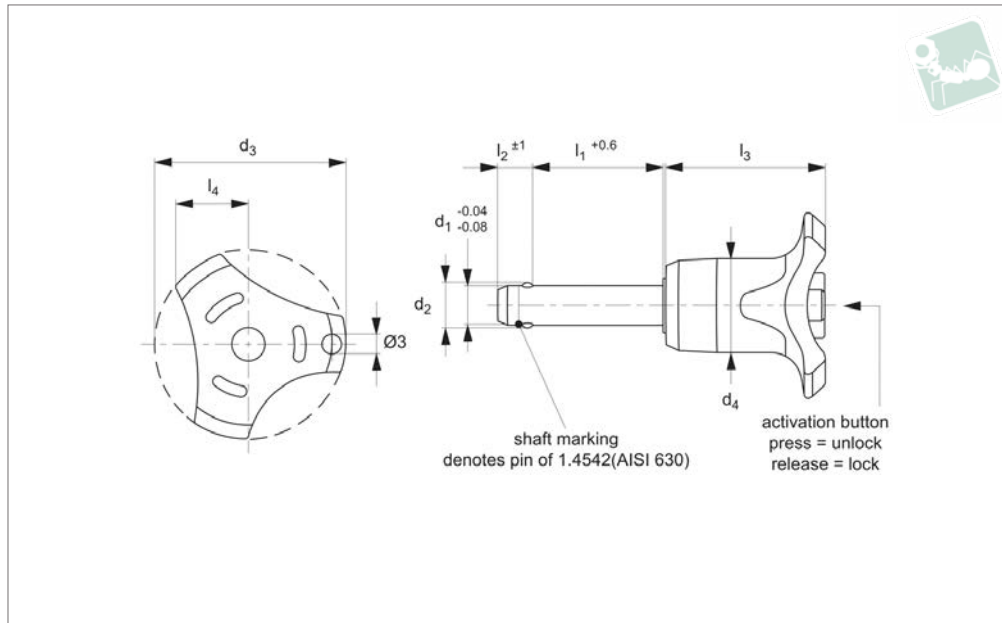




# Ball Lock Pins - Single Acting - Black

self-locking - stainless steel 1.4542 (AISI 630)

## Quick Release Pins



**QR1706**

QUICK RELEASE PINS

### Material

Pin: stainless steel 1,4542 (AISI 630), precipitation hardened, blast finish. (marked at end of shaft to denote 1.4542 material).

Ball: stainless steel 1.3541

Spring: stainless steel.

Handle: thermoplastic PA 6.

Available colours: grey/orange, grey/blue, grey/grey, black/black.

### Technical Notes

Pressing = unlocking.

Releasing = locking.

Temperature resistance -30°C to +80°C.

For quick fastening and locking of frequently repeated connections.

### Tips

For lanyards & retaining cables see part no.LA1066. Easy install locating bushes

available see part no.LA1310.

### Important Notes

**Extreme load capacity due to high material grade.**

\*Shearing resistance similar to DIN 50141.

Also available in stainless grade 1.4305

(AISI 303), see part no.33080.

Order No.	d <sub>1</sub>	l <sub>1</sub>	d <sub>2</sub>	d <sub>3</sub>	d <sub>4</sub>	l <sub>2</sub>	l <sub>3</sub>	l <sub>4</sub>	Loc'n hole tol. H11	Shearing resistance, double kN min.	Weight g
QR1706.M05-010-T	5	10	5.5	33.2	14.5	6.0	26.7	10.8	5	24	15
QR1706.M05-015-T	5	15	5.5	33.2	14.5	6.0	26.7	10.8	5	24	15
QR1706.M05-020-T	5	20	5.5	33.2	14.5	6.0	26.7	10.8	5	24	16
QR1706.M05-025-T	5	25	5.5	33.2	14.5	6.0	26.7	10.8	5	24	17
QR1706.M05-030-T	5	30	5.5	33.2	14.5	6.0	26.7	10.8	5	24	18
QR1706.M06-010-T	6	10	7.0	33.2	14.5	7.0	26.7	10.8	6	35	16
QR1706.M06-015-T	6	15	7.0	33.2	14.5	7.0	26.7	10.8	6	35	17
QR1706.M06-020-T	6	20	7.0	33.2	14.5	7.0	26.7	10.8	6	35	18
QR1706.M06-025-T	6	25	7.0	33.2	14.5	7.0	26.7	10.8	6	35	19
QR1706.M06-030-T	6	30	7.0	33.2	14.5	7.0	26.7	10.8	6	35	20
QR1706.M06-035-T	6	35	7.0	33.2	14.5	7.0	26.7	10.8	6	35	21
QR1706.M06-040-T	6	40	7.0	33.2	14.5	7.0	26.7	10.8	6	35	22
QR1706.M06-045-T	6	45	7.0	33.2	14.5	7.0	26.7	10.8	6	35	23
QR1706.M06-050-T	6	50	7.0	33.2	14.5	7.0	26.7	10.8	6	35	24
QR1706.M08-020-T	8	20	9.6	39.2	19.3	8.2	33.3	13.4	8	63	40
QR1706.M08-030-T	8	30	9.6	39.2	19.3	8.2	33.3	13.4	8	63	44
QR1706.M08-040-T	8	40	9.6	39.2	19.3	8.2	33.3	13.4	8	63	47
QR1706.M10-020-T	10	20	12.0	39.2	19.3	9.6	33.3	13.4	10	100	47
QR1706.M10-025-T	10	25	12.0	39.2	19.3	9.6	33.3	13.4	10	100	49
QR1706.M10-030-T	10	30	12.0	39.2	19.3	9.6	33.3	13.4	10	100	53
QR1706.M10-035-T	10	35	12.0	39.2	19.3	9.6	33.3	13.4	10	100	55
QR1706.M10-040-T	10	40	12.0	39.2	19.3	9.6	33.3	13.4	10	100	58
QR1706.M10-045-T	10	45	12.0	39.2	19.3	9.6	33.3	13.4	10	100	61
QR1706.M10-060-T	10	60	12.0	39.2	19.3	9.6	33.3	13.4	10	100	70
QR1706.M12-030-T	12	30	14.5	47.6	26.3	10.6	39.7	16.7	12	144	100
QR1706.M12-035-T	12	35	14.5	47.6	26.3	10.6	39.7	16.7	12	144	105

# Quick Release Pins

## Ball Lock Pins - Single Acting - Black

self-locking - stainless steel 1.4542 (AISI 630)



QUICK RELEASE PINS

Order No.	d <sub>1</sub>	l <sub>1</sub>	d <sub>2</sub>	d <sub>3</sub>	d <sub>4</sub>	l <sub>2</sub>	l <sub>3</sub>	l <sub>4</sub>	Loc'n hole tol. H11	Shearing resistance, double kN min.	Weight g
QR1706.M12-045-T	12	45	14.5	47.6	26.3	10.6	39.7	16.7	12	144	113
QR1706.M12-050-T	12	50	14.5	47.6	26.3	10.6	39.7	16.7	12	144	117
QR1706.M12-060-T	12	60	14.5	47.6	26.3	10.6	39.7	16.7	12	144	126
QR1706.M12-070-T	12	70	14.5	47.6	26.3	10.6	39.7	16.7	12	144	134
QR1706.M12-080-T	12	80	14.5	47.6	26.3	10.6	39.7	16.7	12	144	143
QR1706.M16-030-T	16	30	19.0	47.6	26.3	14.0	39.7	16.7	16	257	132
QR1706.M16-035-T	16	35	19.0	47.6	26.3	14.0	39.7	16.7	16	257	140
QR1706.M16-040-T	16	40	19.0	47.6	26.3	14.0	39.7	16.7	16	257	148
QR1706.M16-045-T	16	45	19.0	47.6	26.3	14.0	39.7	16.7	16	257	155
QR1706.M16-060-T	16	60	19.0	47.6	26.3	14.0	39.7	16.7	16	257	178
QR1706.M16-070-T	16	70	19.0	47.6	26.3	14.0	39.7	16.7	16	257	194
QR1706.M16-080-T	16	80	19.0	47.6	26.3	14.0	39.7	16.7	16	257	208
QR1706.M20-060-T	20	60	25.0	57.1	35.4	20.5	50.7	21.5	20	403	343
QR1706.M20-080-T	20	80	25.0	57.1	35.4	20.5	50.7	21.5	20	403	392
QR1706.M20-100-T	20	100	25.0	57.1	35.4	20.5	50.7	21.5	20	403	440
QR1706.M20-120-T	20	120	25.0	57.1	33.8	20.5	50.7	21.5	20	403	488

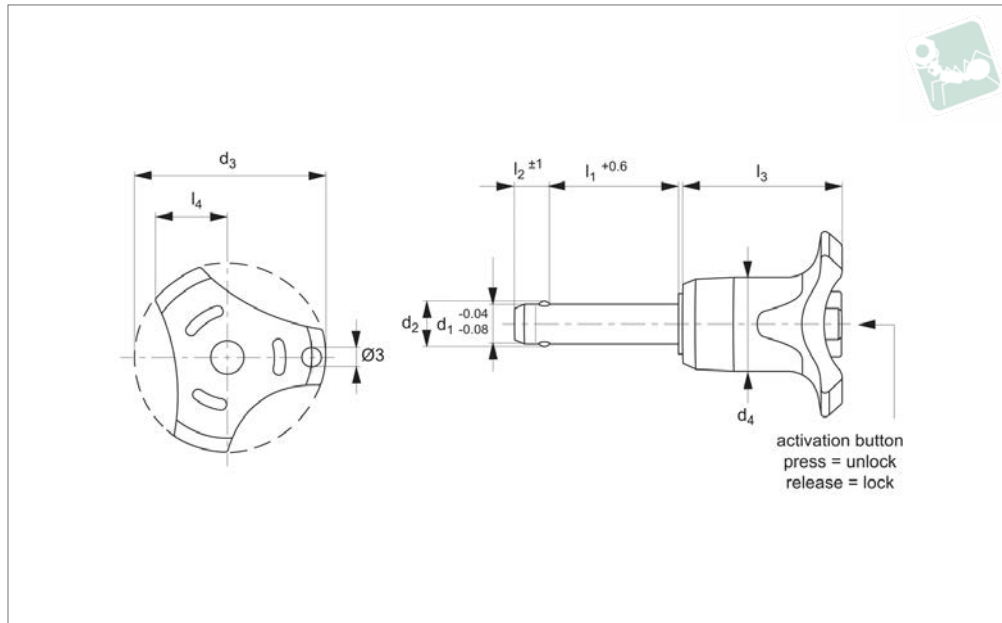




# Ball Lock Pins - Single Acting - Grey

self-locking - stainless steel 1.4305 (AISI 303)

# Quick Release Pins



## QR1714

QUICK RELEASE PINS

### Material

Pin: stainless steel 1.4542 (AISI 630)  
 Ball: stainless steel 1.3541  
 Spring: stainless steel.  
 Handle: thermoplastic PA 6.  
 Available colours: grey/orange, grey/blue, grey/grey.

### Technical Notes

Pressing = unlocking.

Releasing = locking.

Temperature resistance -30°C to +80°C.  
 For quick fastening and locking of frequently repeated connections.

### Tips

For lanyards & retaining cables see part no. LA1066-LA1092. Easy install locating bushes available see part no. LA1310 + .

### Important Notes

\*Shearing resistance similar to DIN 50141.  
 Also available in stainless grade 1.4542 (AISI 630) for higher shear forces, see part no.33060.

Order No.	d <sub>1</sub>	l <sub>1</sub>	d <sub>2</sub>	d <sub>3</sub>	d <sub>4</sub>	l <sub>2</sub>	l <sub>3</sub>	l <sub>4</sub>	Loc'n hole tol. H11	Shearing resistance, double kN min.	Weight g
QR1714.M05-010-S	5	10	5.5	33.2	14.5	6.0	26.7	10.8	5	14	15
QR1714.M05-015-S	5	15	5.5	33.2	14.5	6.0	26.7	10.8	5	14	15
QR1714.M05-020-S	5	20	5.5	33.2	14.5	6.0	26.7	10.8	5	14	16
QR1714.M05-025-S	5	25	5.5	33.2	14.5	6.0	26.7	10.8	5	14	17
QR1714.M05-030-S	5	30	5.5	33.2	14.5	6.0	26.7	10.8	5	14	18
QR1714.M06-010-S	6	10	7.0	33.2	14.5	7.0	26.7	10.8	6	21	16
QR1714.M06-015-S	6	15	7.0	33.2	14.5	7.0	26.7	10.8	6	21	17
QR1714.M06-020-S	6	20	7.0	33.2	14.5	7.0	26.7	10.8	6	21	18
QR1714.M06-025-S	6	25	7.0	33.2	14.5	7.0	26.7	10.8	6	21	19
QR1714.M06-030-S	6	30	7.0	33.2	14.5	7.0	26.7	10.8	6	21	20
QR1714.M06-035-S	6	35	7.0	33.2	14.5	7.0	26.7	10.8	6	21	21
QR1714.M06-040-S	6	40	7.0	33.2	14.5	7.0	26.7	10.8	6	21	22
QR1714.M06-045-S	6	45	7.0	33.2	14.5	7.0	26.7	10.8	6	21	23
QR1714.M06-050-S	6	50	7.0	33.2	14.5	7.0	26.7	10.8	6	21	24
QR1714.M08-020-S	8	20	9.6	39.2	19.3	8.2	33.3	13.4	8	38	40
QR1714.M08-025-S	8	25	9.6	39.2	19.3	8.2	33.3	13.4	8	38	42
QR1714.M08-030-S	8	30	9.6	39.2	19.3	8.2	33.3	13.4	8	38	44
QR1714.M08-035-S	8	35	9.6	39.2	19.3	8.2	33.3	13.4	8	38	46
QR1714.M08-040-S	8	40	9.6	39.2	19.3	8.2	33.3	13.4	8	38	47
QR1714.M08-045-S	8	45	9.6	39.2	19.3	8.2	33.3	13.4	8	38	49
QR1714.M08-050-S	8	50	9.6	39.2	19.3	8.2	33.3	13.4	8	38	51
QR1714.M10-020-S	10	20	12.0	39.2	19.3	9.6	33.3	13.4	10	60	47
QR1714.M10-025-S	10	25	12.0	39.2	19.3	9.6	33.3	13.4	10	60	49
QR1714.M10-030-S	10	30	12.0	39.2	19.3	9.6	33.3	13.4	10	60	53
QR1714.M10-035-S	10	35	12.0	39.2	19.3	9.6	33.3	13.4	10	60	55
QR1714.M10-040-S	10	40	12.0	39.2	19.3	9.6	33.3	13.4	10	60	58
QR1714.M10-045-S	10	45	12.0	39.2	19.3	9.6	33.3	13.4	10	60	61

# Quick Release Pins

## Ball Lock Pins - Single Acting - Grey self-locking - stainless steel 1.4305 (AISI 303)



QUICK RELEASE PINS

Order No.	d <sub>1</sub>	l <sub>1</sub>	d <sub>2</sub>	d <sub>3</sub>	d <sub>4</sub>	l <sub>2</sub>	l <sub>3</sub>	l <sub>4</sub>	Loc'n hole tol. H11	Shearing resistance, double kN min.	Weight g
QR1714.M10-050-S	10	50	12.0	39.2	19.3	9.6	33.3	13.4	10	60	64
QR1714.M10-060-S	10	60	12.0	39.2	19.3	9.6	33.3	13.4	10	60	70
QR1714.M12-025-S	12	25	14.5	47.6	26.3	10.6	39.7	16.7	12	87	96
QR1714.M12-030-S	12	30	14.5	47.6	26.3	10.6	39.7	16.7	12	87	100
QR1714.M12-035-S	12	35	14.5	47.6	26.3	10.6	39.7	16.7	12	87	105
QR1714.M12-040-S	12	40	14.5	47.6	26.3	10.6	39.7	16.7	12	87	109
QR1714.M12-045-S	12	45	14.5	47.6	26.3	10.6	39.7	16.7	12	87	113
QR1714.M12-050-S	12	50	14.5	47.6	26.3	10.6	39.7	16.7	12	87	117
QR1714.M12-060-S	12	60	14.5	47.6	26.3	10.6	39.7	16.7	12	87	126
QR1714.M12-070-S	12	70	14.5	47.6	26.3	10.6	39.7	16.7	12	87	134
QR1714.M12-080-S	12	80	14.5	47.6	26.3	10.6	39.7	16.7	12	87	143
QR1714.M16-030-S	16	30	19.0	47.6	26.3	14.0	39.7	16.7	16	155	132
QR1714.M16-035-S	16	35	19.0	47.6	26.3	14.0	39.7	16.7	16	155	140
QR1714.M16-040-S	16	40	19.0	47.6	26.3	14.0	39.7	16.7	16	155	148
QR1714.M16-045-S	16	45	19.0	47.6	26.3	14.0	39.7	16.7	16	155	155
QR1714.M16-050-S	16	50	19.0	47.6	26.3	14.0	39.7	16.7	16	155	168
QR1714.M16-060-S	16	60	19.0	47.6	26.3	14.0	39.7	16.7	16	155	178
QR1714.M16-070-S	16	70	19.0	47.6	26.3	14.0	39.7	16.7	16	155	194
QR1714.M16-080-S	16	80	19.0	47.6	26.3	14.0	39.7	16.7	16	155	208
QR1714.M20-060-S	20	60	25.0	57.1	35.4	20.5	50.7	21.5	20	244	343
QR1714.M20-080-S	20	80	25.0	57.1	35.4	20.5	50.7	21.5	20	244	392
QR1714.M20-100-S	20	100	25.0	57.1	35.4	20.5	50.7	21.5	20	244	440
QR1714.M20-120-S	20	120	25.0	57.1	33.8	20.5	50.7	21.5	20	244	488

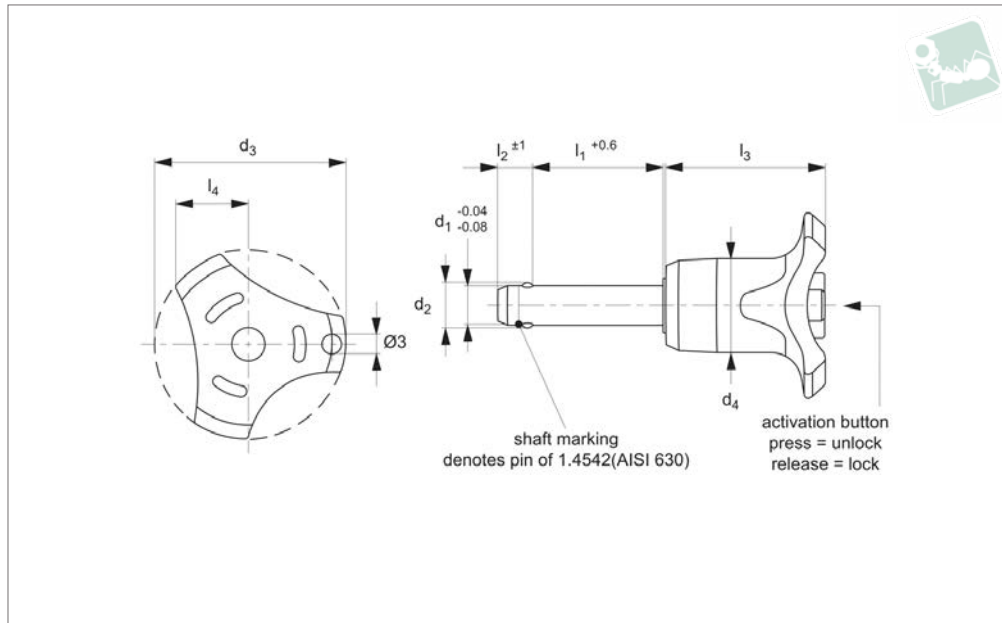




# Ball Lock Pins - Single Acting - Grey

self-locking - stainless steel 1.4542 (AISI 630)

## Quick Release Pins



**QR1716**

QUICK RELEASE PINS

### Material

Pin: stainless steel 1,4542 (AISI 630), precipitation hardened, blast finish. (marked at end of shaft to denote 1.4542 material).  
 Ball: stainless steel 1.3541  
 Spring: stainless steel.  
 Handle: thermoplastic PA 6.  
 Available colours: grey/orange, grey/blue, grey/grey, black/black.

### Technical Notes

Pressing = unlocking.  
 Releasing = locking.  
 Temperature resistance -30°C to +80°C.  
 For quick fastening and locking of frequently repeated connections.

### Tips

For lanyards & retaining cables see part no.LA1066. Easy install locating bushes

available see part no.LA1310.

### Important Notes

**Extreme load capacity due to high material grade.**  
 \*Shearing resistance similar to DIN 50141. Also available in stainless grade 1.4305 (AISI 303), see part no.33080.

Order No.	d <sub>1</sub>	l <sub>1</sub>	d <sub>2</sub>	d <sub>3</sub>	d <sub>4</sub>	l <sub>2</sub>	l <sub>3</sub>	l <sub>4</sub>	Loc'n hole tol. H11	Shearing resistance, double kN min.	Weight g
QR1716.M05-010-T	5	10	5.5	33.2	14.5	6.0	26.7	10.8	5	24	15
QR1716.M05-015-T	5	15	5.5	33.2	14.5	6.0	26.7	10.8	5	24	15
QR1716.M05-020-T	5	20	5.5	33.2	14.5	6.0	26.7	10.8	5	24	16
QR1716.M05-025-T	5	25	5.5	33.2	14.5	6.0	26.7	10.8	5	24	17
QR1716.M05-030-T	5	30	5.5	33.2	14.5	6.0	26.7	10.8	5	24	18
QR1716.M06-010-T	6	10	7.0	33.2	14.5	7.0	26.7	10.8	6	35	16
QR1716.M06-015-T	6	15	7.0	33.2	14.5	7.0	26.7	10.8	6	35	17
QR1716.M06-020-T	6	20	7.0	33.2	14.5	7.0	26.7	10.8	6	35	18
QR1716.M06-025-T	6	25	7.0	33.2	14.5	7.0	26.7	10.8	6	35	19
QR1716.M06-030-T	6	30	7.0	33.2	14.5	7.0	26.7	10.8	6	35	20
QR1716.M06-035-T	6	35	7.0	33.2	14.5	7.0	26.7	10.8	6	35	21
QR1716.M06-040-T	6	40	7.0	33.2	14.5	7.0	26.7	10.8	6	35	22
QR1716.M06-045-T	6	45	7.0	33.2	14.5	7.0	26.7	10.8	6	35	23
QR1716.M06-050-T	6	50	7.0	33.2	14.5	7.0	26.7	10.8	6	35	24
QR1716.M08-020-T	8	20	9.6	39.2	19.3	8.2	33.3	13.4	8	63	40
QR1716.M08-025-T	8	25	9.6	39.2	19.3	8.2	33.3	13.4	8	63	42
QR1716.M08-030-T	8	30	9.6	39.2	19.3	8.2	33.3	13.4	8	63	44
QR1716.M08-035-T	8	35	9.6	39.2	19.3	8.2	33.3	13.4	8	63	46
QR1716.M08-040-T	8	40	9.6	39.2	19.3	8.2	33.3	13.4	8	63	47
QR1716.M08-045-T	8	45	9.6	39.2	19.3	8.2	33.3	13.4	8	63	49
QR1716.M08-050-T	8	50	9.6	39.2	19.3	8.2	33.3	13.4	8	63	51
QR1716.M10-020-T	10	20	12.0	39.2	19.3	9.6	33.3	13.4	10	100	47
QR1716.M10-025-T	10	25	12.0	39.2	19.3	9.6	33.3	13.4	10	100	49
QR1716.M10-030-T	10	30	12.0	39.2	19.3	9.6	33.3	13.4	10	100	53
QR1716.M10-035-T	10	35	12.0	39.2	19.3	9.6	33.3	13.4	10	100	55
QR1716.M10-040-T	10	40	12.0	39.2	19.3	9.6	33.3	13.4	10	100	58

# Quick Release Pins

## Ball Lock Pins - Single Acting - Grey

self-locking - stainless steel 1.4542 (AISI 630)



QUICK RELEASE PINS

Order No.	d <sub>1</sub>	l <sub>1</sub>	d <sub>2</sub>	d <sub>3</sub>	d <sub>4</sub>	l <sub>2</sub>	l <sub>3</sub>	l <sub>4</sub>	Loc'n hole tol. H11	Shearing resistance, double kN min.	Weight g
QR1716.M10-045-T	10	45	12.0	39.2	19.3	9.6	33.3	13.4	10	100	61
QR1716.M10-050-T	10	50	12.0	39.2	19.3	9.6	33.3	13.4	10	100	64
QR1716.M10-060-T	10	60	12.0	39.2	19.3	9.6	33.3	13.4	10	100	70
QR1716.M12-025-T	12	25	14.5	47.6	26.3	10.6	39.7	16.7	12	144	96
QR1716.M12-030-T	12	30	14.5	47.6	26.3	10.6	39.7	16.7	12	144	100
QR1716.M12-035-T	12	35	14.5	47.6	26.3	10.6	39.7	16.7	12	144	105
QR1716.M12-040-T	12	40	14.5	47.6	26.3	10.6	39.7	16.7	12	144	109
QR1716.M12-045-T	12	45	14.5	47.6	26.3	10.6	39.7	16.7	12	144	113
QR1716.M12-050-T	12	50	14.5	47.6	26.3	10.6	39.7	16.7	12	144	117
QR1716.M12-060-T	12	60	14.5	47.6	26.3	10.6	39.7	16.7	12	144	126
QR1716.M12-070-T	12	70	14.5	47.6	26.3	10.6	39.7	16.7	12	144	134
QR1716.M12-080-T	12	80	14.5	47.6	26.3	10.6	39.7	16.7	12	144	143
QR1716.M16-030-T	16	30	19.0	47.6	26.3	14.0	39.7	16.7	16	257	132
QR1716.M16-035-T	16	35	19.0	47.6	26.3	14.0	39.7	16.7	16	257	140
QR1716.M16-040-T	16	40	19.0	47.6	26.3	14.0	39.7	16.7	16	257	148
QR1716.M16-045-T	16	45	19.0	47.6	26.3	14.0	39.7	16.7	16	257	155
QR1716.M16-050-T	16	50	19.0	47.6	26.3	14.0	39.7	16.7	16	257	168
QR1716.M16-060-T	16	60	19.0	47.6	26.3	14.0	39.7	16.7	16	257	178
QR1716.M16-070-T	16	70	19.0	47.6	26.3	14.0	39.7	16.7	16	257	194
QR1716.M16-080-T	16	80	19.0	47.6	26.3	14.0	39.7	16.7	16	257	208
QR1716.M20-060-T	20	60	25.0	57.1	35.4	20.5	50.7	21.5	20	403	343
QR1716.M20-080-T	20	80	25.0	57.1	35.4	20.5	50.7	21.5	20	403	392
QR1716.M20-100-T	20	100	25.0	57.1	35.4	20.5	50.7	21.5	20	403	440
QR1716.M20-120-T	20	120	25.0	57.1	35.4	20.5	50.7	21.5	20	403	488



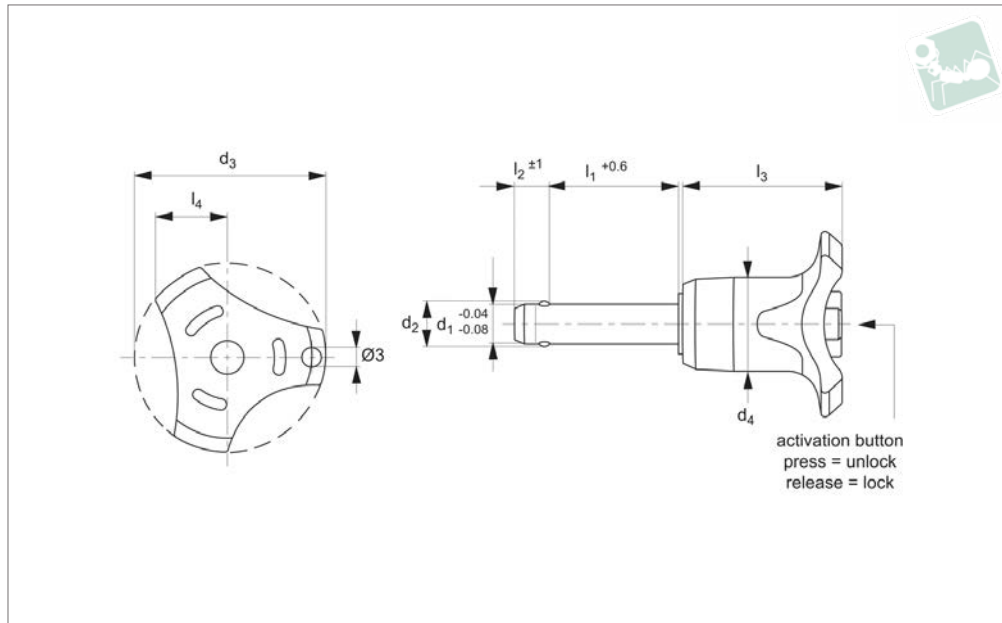




# Ball Lock Pins - Single Acting - Blue

self-locking - stainless steel 1.4305 (AISI 303)

## Quick Release Pins



**QR1724**

QUICK RELEASE PINS

### Material

Pin: stainless steel 1.4542 (AISI 630)  
 Ball: stainless steel 1.3541  
 Spring: stainless steel.  
 Handle: thermoplastic PA 6.  
 Available colours: grey/orange, grey/blue, grey/grey.

### Technical Notes

Pressing = unlocking.

Releasing = locking.

Temperature resistance -30°C to +80°C.  
 For quick fastening and locking of frequently repeated connections.

### Tips

For lanyards & retaining cables see part no.LA1066-LA1092. Easy install locating bushes available see part no.LA1310 + .

### Important Notes

\*Shearing resistance similar to DIN 50141.  
 Also available in stainless grade 1.4542 (AISI 630) for higher shear forces, see part no.33060.

Order No.	d <sub>1</sub>	l <sub>1</sub>	d <sub>2</sub>	d <sub>3</sub>	d <sub>4</sub>	l <sub>2</sub>	l <sub>3</sub>	l <sub>4</sub>	Loc'n hole tol. H11	Shearing resistance, double kN min.	Weight g
QR1724.M05-010-S	5	10	5.5	33.2	14.5	6.0	26.7	10.8	5	14	15
QR1724.M05-015-S	5	15	5.5	33.2	14.5	6.0	26.7	10.8	5	14	15
QR1724.M05-020-S	5	20	5.5	33.2	14.5	6.0	26.7	10.8	5	14	16
QR1724.M05-025-S	5	25	5.5	33.2	14.5	6.0	26.7	10.8	5	14	17
QR1724.M05-030-S	5	30	5.5	33.2	14.5	6.0	26.7	10.8	5	14	18
QR1724.M06-010-S	6	10	7.0	33.2	14.5	7.0	26.7	10.8	6	21	16
QR1724.M06-015-S	6	15	7.0	33.2	14.5	7.0	26.7	10.8	6	21	17
QR1724.M06-020-S	6	20	7.0	33.2	14.5	7.0	26.7	10.8	6	21	18
QR1724.M06-025-S	6	25	7.0	33.2	14.5	7.0	26.7	10.8	6	21	19
QR1724.M06-030-S	6	30	7.0	33.2	14.5	7.0	26.7	10.8	6	21	20
QR1724.M06-035-S	6	35	7.0	33.2	14.5	7.0	26.7	10.8	6	21	21
QR1724.M06-040-S	6	40	7.0	33.2	14.5	7.0	26.7	10.8	6	21	22
QR1724.M06-045-S	6	45	7.0	33.2	14.5	7.0	26.7	10.8	6	21	23
QR1724.M06-050-S	6	50	7.0	33.2	14.5	7.0	26.7	10.8	6	21	24
QR1724.M08-020-S	8	20	9.6	39.2	19.3	8.2	33.3	13.4	8	38	40
QR1724.M08-025-S	8	25	9.6	39.2	19.3	8.2	33.3	13.4	8	38	42
QR1724.M08-030-S	8	30	9.6	39.2	19.3	8.2	33.3	13.4	8	38	44
QR1724.M08-035-S	8	35	9.6	39.2	19.3	8.2	33.3	13.4	8	38	46
QR1724.M08-040-S	8	40	9.6	39.2	19.3	8.2	33.3	13.4	8	38	47
QR1724.M08-045-S	8	45	9.6	39.2	19.3	8.2	33.3	13.4	8	38	49
QR1724.M08-050-S	8	50	9.6	39.2	19.3	8.2	33.3	13.4	8	38	51
QR1724.M10-020-S	10	20	12.0	39.2	19.3	9.6	33.3	13.4	10	60	47
QR1724.M10-025-S	10	25	12.0	39.2	19.3	9.6	33.3	13.4	10	60	49
QR1724.M10-030-S	10	30	12.0	39.2	19.3	9.6	33.3	13.4	10	60	53
QR1724.M10-035-S	10	35	12.0	39.2	19.3	9.6	33.3	13.4	10	60	55
QR1724.M10-040-S	10	40	12.0	39.2	19.3	9.6	33.3	13.4	10	60	58
QR1724.M10-045-S	10	45	12.0	39.2	19.3	9.6	33.3	13.4	10	60	61

# Quick Release Pins

## Ball Lock Pins - Single Acting - Blue

self-locking - stainless steel 1.4305 (AISI 303)



QUICK RELEASE PINS

Order No.	d <sub>1</sub>	l <sub>1</sub>	d <sub>2</sub>	d <sub>3</sub>	d <sub>4</sub>	l <sub>2</sub>	l <sub>3</sub>	l <sub>4</sub>	Loc'n hole tol. H11	Shearing resistance, double kN min.	Weight g
QR1724.M10-050-S	10	50	12.0	39.2	19.3	9.6	33.3	13.4	10	60	64
QR1724.M10-060-S	10	60	12.0	39.2	19.3	9.6	33.3	13.4	10	60	70
QR1724.M12-025-S	12	25	14.5	47.6	26.3	10.6	39.7	16.7	12	87	96
QR1724.M12-030-S	12	30	14.5	47.6	26.3	10.6	39.7	16.7	12	87	100
QR1724.M12-035-S	12	35	14.5	47.6	26.3	10.6	39.7	16.7	12	87	105
QR1724.M12-040-S	12	40	14.5	47.6	26.3	10.6	39.7	16.7	12	87	109
QR1724.M12-045-S	12	45	14.5	47.6	26.3	10.6	39.7	16.7	12	87	113
QR1724.M12-050-S	12	50	14.5	47.6	26.3	10.6	39.7	16.7	12	87	117
QR1724.M12-060-S	12	60	14.5	47.6	26.3	10.6	39.7	16.7	12	87	126
QR1724.M12-070-S	12	70	14.5	47.6	26.3	10.6	39.7	16.7	12	87	134
QR1724.M12-080-S	12	80	14.5	47.6	26.3	10.6	39.7	16.7	12	87	143
QR1724.M16-030-S	16	30	19.0	47.6	26.3	14.0	39.7	16.7	16	155	132
QR1724.M16-035-S	16	35	19.0	47.6	26.3	14.0	39.7	16.7	16	155	140
QR1724.M16-040-S	16	40	19.0	47.6	26.3	14.0	39.7	16.7	16	155	148
QR1724.M16-045-S	16	45	19.0	47.6	26.3	14.0	39.7	16.7	16	155	155
QR1724.M16-050-S	16	50	19.0	47.6	26.3	14.0	39.7	16.7	16	155	168
QR1724.M16-060-S	16	60	19.0	47.6	26.3	14.0	39.7	16.7	16	155	178
QR1724.M16-070-S	16	70	19.0	47.6	26.3	14.0	39.7	16.7	16	155	194
QR1724.M16-080-S	16	80	19.0	47.6	26.3	14.0	39.7	16.7	16	155	208
QR1724.M20-060-S	20	60	25.0	57.1	35.4	20.5	50.7	21.5	20	244	343
QR1724.M20-080-S	20	80	25.0	57.1	35.4	20.5	50.7	21.5	20	244	392
QR1724.M20-100-S	20	100	25.0	57.1	35.4	20.5	50.7	21.5	20	244	440
QR1724.M20-120-S	20	120	25.0	57.1	35.4	20.5	50.7	21.5	20	244	488

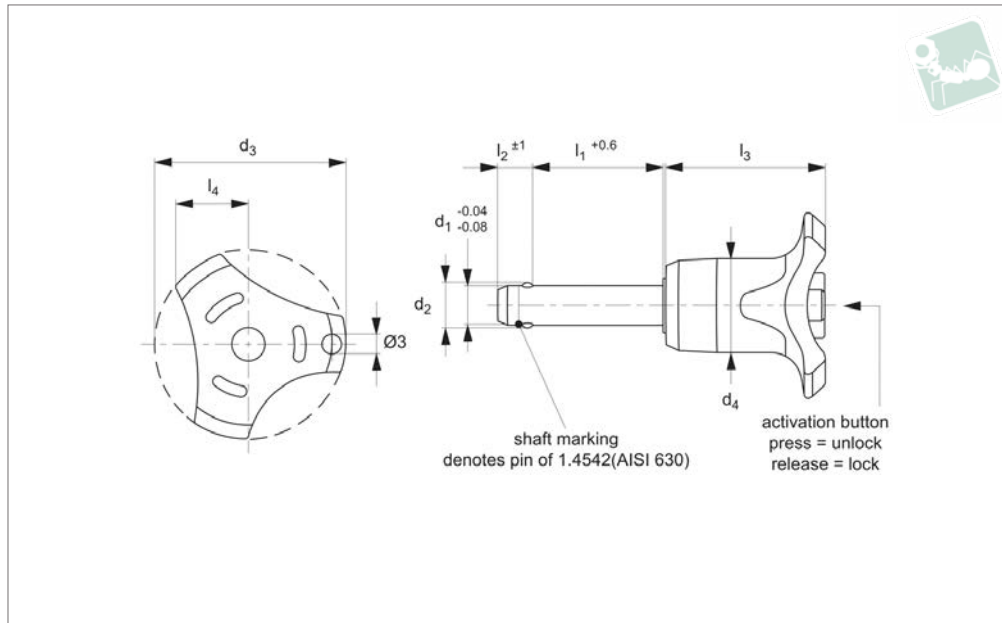




# Ball Lock Pins - Single Acting - Blue

self-locking - stainless steel 1.4542 (AISI 630)

## Quick Release Pins



### QR1726

QUICK RELEASE PINS

#### Material

Pin: stainless steel 1,4542 (AISI 630), precipitation hardened, blast finish. (marked at end of shaft to denote 1.4542 material).  
 Ball: stainless steel 1.3541  
 Spring: stainless steel.  
 Handle: thermoplastic PA 6.  
 Available colours: grey/orange, grey/blue, grey/grey, black/black.

#### Technical Notes

Pressing = unlocking.  
 Releasing = locking.  
 Temperature resistance -30°C to +80°C.  
 For quick fastening and locking of frequently repeated connections.

#### Tips

For lanyards & retaining cables see part no.LA1066. Easy install locating bushes

available see part no.LA1310.

#### Important Notes

**Extreme load capacity due to high material grade.**  
 \*Shearing resistance similar to DIN 50141. Also available in stainless grade 1.4305 (AISI 303), see part no.33080.

Order No.	d <sub>1</sub>	l <sub>1</sub>	d <sub>2</sub>	d <sub>3</sub>	d <sub>4</sub>	l <sub>2</sub>	l <sub>3</sub>	l <sub>4</sub>	Loc'n hole tol. H11	Shearing resistance, double kN min.	Weight g
QR1726.M05-010-T	5	10	5.5	33.2	14.5	6.0	26.7	10.8	5	24	15
QR1726.M05-015-T	5	15	5.5	33.2	14.5	6.0	26.7	10.8	5	24	15
QR1726.M05-020-T	5	20	5.5	33.2	14.5	6.0	26.7	10.8	5	24	16
QR1726.M05-025-T	5	25	5.5	33.2	14.5	6.0	26.7	10.8	5	24	17
QR1726.M05-030-T	5	30	5.5	33.2	14.5	6.0	26.7	10.8	5	24	18
QR1726.M06-010-T	6	10	7.0	33.2	14.5	7.0	26.7	10.8	6	35	16
QR1726.M06-015-T	6	15	7.0	33.2	14.5	7.0	26.7	10.8	6	35	17
QR1726.M06-020-T	6	20	7.0	33.2	14.5	7.0	26.7	10.8	6	35	18
QR1726.M06-025-T	6	25	7.0	33.2	14.5	7.0	26.7	10.8	6	35	19
QR1726.M06-030-T	6	30	7.0	33.2	14.5	7.0	26.7	10.8	6	35	20
QR1726.M06-035-T	6	35	7.0	33.2	14.5	7.0	26.7	10.8	6	35	21
QR1726.M06-040-T	6	40	7.0	33.2	14.5	7.0	26.7	10.8	6	35	22
QR1726.M06-045-T	6	45	7.0	33.2	14.5	7.0	26.7	10.8	6	35	23
QR1726.M06-050-T	6	50	7.0	33.2	14.5	7.0	26.7	10.8	6	35	24
QR1726.M08-020-T	8	20	9.6	39.2	19.3	8.2	33.3	13.4	8	63	40
QR1726.M08-025-T	8	25	9.6	39.2	19.3	8.2	33.3	13.4	8	63	42
QR1726.M08-030-T	8	30	9.6	39.2	19.3	8.2	33.3	13.4	8	63	44
QR1726.M08-035-T	8	35	9.6	39.2	19.3	8.2	33.3	13.4	8	63	46
QR1726.M08-040-T	8	40	9.6	39.2	19.3	8.2	33.3	13.4	8	63	47
QR1726.M08-045-T	8	45	9.6	39.2	19.3	8.2	33.3	13.4	8	63	49
QR1726.M08-050-T	8	50	9.6	39.2	18.4	8.2	33.3	13.4	8	63	51
QR1726.M10-020-T	10	20	12.0	39.2	19.3	9.6	33.3	13.4	10	100	47
QR1726.M10-025-T	10	25	12.0	39.2	19.3	9.6	33.3	13.4	10	100	49
QR1726.M10-030-T	10	30	12.0	39.2	19.3	9.6	33.3	13.4	10	100	53
QR1726.M10-035-T	10	35	12.0	39.2	19.3	9.6	33.3	13.4	10	100	55
QR1726.M10-040-T	10	40	12.0	39.2	19.3	9.6	33.3	13.4	10	100	58

# Quick Release Pins

## Ball Lock Pins - Single Acting - Blue

self-locking - stainless steel 1.4542 (AISI 630)



QUICK RELEASE PINS

Order No.	d <sub>1</sub>	l <sub>1</sub>	d <sub>2</sub>	d <sub>3</sub>	d <sub>4</sub>	l <sub>2</sub>	l <sub>3</sub>	l <sub>4</sub>	Loc'n hole tol. H11	Shearing resistance, double kN min.	Weight g
QR1726.M10-045-T	10	45	12.0	39.2	19.3	9.6	33.3	13.4	10	100	61
QR1726.M10-050-T	10	50	12.0	39.2	19.3	9.6	33.3	13.4	10	100	64
QR1726.M10-060-T	10	60	12.0	39.2	19.3	9.6	33.3	13.4	10	100	70
QR1726.M12-025-T	12	25	14.5	47.6	26.3	10.6	39.7	16.7	12	144	96
QR1726.M12-030-T	12	30	14.5	47.6	26.3	10.6	39.7	16.7	12	144	100
QR1726.M12-035-T	12	35	14.5	47.6	26.3	10.6	39.7	16.7	12	144	105
QR1726.M12-040-T	12	40	14.5	47.6	26.3	10.6	39.7	16.7	12	144	109
QR1726.M12-045-T	12	45	14.5	47.6	26.3	10.6	39.7	16.7	12	144	113
QR1726.M12-050-T	12	50	14.5	47.6	26.3	10.6	39.7	16.7	12	144	117
QR1726.M12-060-T	12	60	14.5	47.6	26.3	10.6	39.7	16.7	12	144	126
QR1726.M12-070-T	12	70	14.5	47.6	26.3	10.6	39.7	16.7	12	144	134
QR1726.M12-080-T	12	80	14.5	47.6	26.3	10.6	39.7	16.7	12	144	143
QR1726.M16-030-T	16	30	19.0	47.6	26.3	14.0	39.7	16.7	16	257	132
QR1726.M16-035-T	16	35	19.0	47.6	26.3	14.0	39.7	16.7	16	257	140
QR1726.M16-040-T	16	40	19.0	47.6	26.3	14.0	39.7	16.7	16	257	148
QR1726.M16-045-T	16	45	19.0	47.6	26.3	14.0	39.7	16.7	16	257	155
QR1726.M16-050-T	16	50	19.0	47.6	26.3	14.0	39.7	16.7	16	257	168
QR1726.M16-060-T	16	60	19.0	47.6	26.3	14.0	39.7	16.7	16	257	178
QR1726.M16-070-T	16	70	19.0	47.6	26.3	14.0	39.7	16.7	16	257	194
QR1726.M16-080-T	16	80	19.0	47.6	26.3	14.0	39.7	16.7	16	257	208
QR1726.M20-060-T	20	60	25.0	57.1	35.4	20.5	50.7	21.5	20	403	343
QR1726.M20-080-T	20	80	25.0	57.1	35.4	20.5	50.7	21.5	20	403	392
QR1726.M20-100-T	20	100	25.0	57.1	35.4	20.5	50.7	21.5	20	403	440
QR1726.M20-120-T	20	120	25.0	57.1	33.8	20.5	50.7	21.5	20	403	488

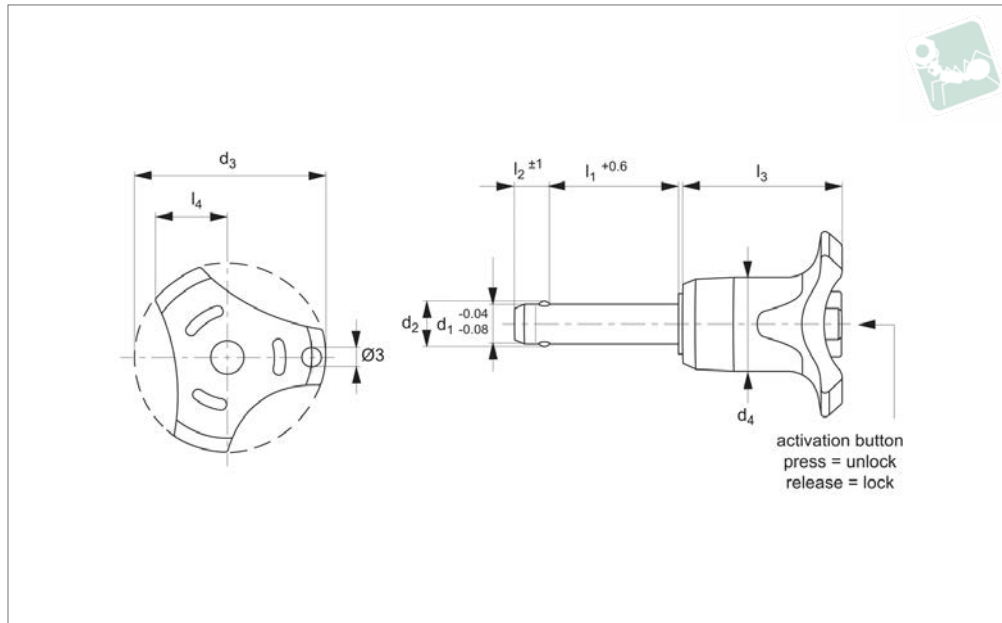




# Ball Lock Pins - Single Acting - Orange

self-locking - stainless steel 1.4305 (AISI 303)

## Quick Release Pins



### QR1734

QUICK RELEASE PINS

#### Material

Pin: stainless steel 1,4542 (AISI 630)  
 Ball: stainless steel 1.3541  
 Spring: stainless steel.  
 Handle: thermoplastic PA 6.  
 Available colours: grey/orange, grey/blue, grey/grey.

#### Technical Notes

Pressing = unlocking.

Releasing = locking.

Temperature resistance -30°C to +80°C.  
 For quick fastening and locking of frequently repeated connections.

#### Tips

For lanyards & retaining cables see part no.LA1066-LA1092. Easy install locating bushes available see part no.LA1310 + .

#### Important Notes

\*Shearing resistance similar to DIN 50141.  
 Also available in stainless grade 1.4542 (AISI 630) for higher shear forces, see part no.33060.

Order No.	d <sub>1</sub>	l <sub>1</sub>	d <sub>2</sub>	d <sub>3</sub>	d <sub>4</sub>	l <sub>2</sub>	l <sub>3</sub>	l <sub>4</sub>	Loc'n hole tol. H11	Shearing resistance, double kN min.	Weight g
QR1734.M05-010-S	5	10	5.5	33.2	14.5	6.0	26.7	10.8	5	14	15
QR1734.M05-015-S	5	15	5.5	33.2	14.5	6.0	26.7	10.8	5	14	15
QR1734.M05-020-S	5	20	5.5	33.2	14.5	6.0	26.7	10.8	5	14	16
QR1734.M05-025-S	5	25	5.5	33.2	14.5	6.0	26.7	10.8	5	14	17
QR1734.M05-030-S	5	30	5.5	33.2	14.5	6.0	26.7	10.8	5	14	18
QR1734.M06-010-S	6	10	7.0	33.2	14.5	7.0	26.7	10.8	6	21	16
QR1734.M06-015-S	6	15	7.0	33.2	14.5	7.0	26.7	10.8	6	21	17
QR1734.M06-020-S	6	20	7.0	33.2	14.5	7.0	26.7	10.8	6	21	18
QR1734.M06-025-S	6	25	7.0	33.2	14.5	7.0	26.7	10.8	6	21	19
QR1734.M06-030-S	6	30	7.0	33.2	14.5	7.0	26.7	10.8	6	21	20
QR1734.M06-035-S	6	35	7.0	33.2	14.5	7.0	26.7	10.8	6	21	21
QR1734.M06-040-S	6	40	7.0	33.2	14.5	7.0	26.7	10.8	6	21	22
QR1734.M06-045-S	6	45	7.0	33.2	14.5	7.0	26.7	10.8	6	21	23
QR1734.M06-050-S	6	50	7.0	33.2	14.5	7.0	26.7	10.8	6	21	24
QR1734.M08-020-S	8	20	9.6	39.2	19.3	8.2	33.3	13.4	8	38	40
QR1734.M08-025-S	8	25	9.6	39.2	19.3	8.2	33.3	13.4	8	38	42
QR1734.M08-030-S	8	30	9.6	39.2	19.3	8.2	33.3	13.4	8	38	44
QR1734.M08-035-S	8	35	9.6	39.2	19.3	8.2	33.3	13.4	8	38	46
QR1734.M08-040-S	8	40	9.6	39.2	19.3	8.2	33.3	13.4	8	38	47
QR1734.M08-045-S	8	45	9.6	39.2	19.3	8.2	33.3	13.4	8	38	49
QR1734.M08-050-S	8	50	9.6	39.2	19.3	8.2	33.3	13.4	8	38	51
QR1734.M10-020-S	10	20	12.0	39.2	19.3	9.6	33.3	13.4	10	60	47
QR1734.M10-025-S	10	25	12.0	39.2	19.3	9.6	33.3	13.4	10	60	49
QR1734.M10-030-S	10	30	12.0	39.2	19.3	9.6	33.3	13.4	10	60	53
QR1734.M10-035-S	10	35	12.0	39.2	19.3	9.6	33.3	13.4	10	60	55
QR1734.M10-040-S	10	40	12.0	39.2	19.3	9.6	33.3	13.4	10	60	58
QR1734.M10-045-S	10	45	12.0	39.2	19.3	9.6	33.3	13.4	10	60	61

# Quick Release Pins

## Ball Lock Pins - Single Acting - Orange

self-locking - stainless steel 1.4305 (AISI 303)



QUICK RELEASE PINS

Order No.	d <sub>1</sub>	l <sub>1</sub>	d <sub>2</sub>	d <sub>3</sub>	d <sub>4</sub>	l <sub>2</sub>	l <sub>3</sub>	l <sub>4</sub>	Loc'n hole tol. H11	Shearing resistance, double kN min.	Weight g
QR1734.M10-050-S	10	50	12.0	39.2	19.3	9.6	33.3	13.4	10	60	64
QR1734.M10-060-S	10	60	12.0	39.2	19.3	9.6	33.3	13.4	10	60	70
QR1734.M12-025-S	12	25	14.5	47.6	26.3	10.6	39.7	16.7	12	87	96
QR1734.M12-030-S	12	30	14.5	47.6	26.3	10.6	39.7	16.7	12	87	100
QR1734.M12-035-S	12	35	14.5	47.6	26.3	10.6	39.7	16.7	12	87	105
QR1734.M12-040-S	12	40	14.5	47.6	26.3	10.6	39.7	16.7	12	87	109
QR1734.M12-045-S	12	45	14.5	47.6	26.3	10.6	39.7	16.7	12	87	113
QR1734.M12-050-S	12	50	14.5	47.6	26.3	10.6	39.7	16.7	12	87	117
QR1734.M12-060-S	12	60	14.5	47.6	26.3	10.6	39.7	16.7	12	87	126
QR1734.M12-070-S	12	70	14.5	47.6	26.3	10.6	39.7	16.7	12	87	134
QR1734.M12-080-S	12	80	14.5	47.6	26.3	10.6	39.7	16.7	12	87	143
QR1734.M16-030-S	16	30	19.0	47.6	26.3	14.0	39.7	16.7	16	155	132
QR1734.M16-035-S	16	35	19.0	47.6	26.3	14.0	39.7	16.7	16	155	140
QR1734.M16-040-S	16	40	19.0	47.6	26.3	14.0	39.7	16.7	16	155	148
QR1734.M16-045-S	16	45	19.0	47.6	26.3	14.0	39.7	16.7	16	155	155
QR1734.M16-050-S	16	50	19.0	47.6	26.3	14.0	39.7	16.7	16	155	168
QR1734.M16-060-S	16	60	19.0	47.6	26.3	14.0	39.7	16.7	16	155	178
QR1734.M16-070-S	16	70	19.0	47.6	26.3	14.0	39.7	16.7	16	155	194
QR1734.M16-080-S	16	80	19.0	47.6	26.3	14.0	39.7	16.7	16	155	208
QR1734.M20-060-S	20	60	25.0	57.1	35.4	20.5	50.7	21.5	20	244	343
QR1734.M20-080-S	20	80	25.0	57.1	35.4	20.5	50.7	21.5	20	244	392
QR1734.M20-100-S	20	100	25.0	57.1	35.4	20.5	50.7	21.5	20	244	440
QR1734.M20-120-S	20	120	25.0	57.1	35.4	20.5	50.7	21.5	20	244	488

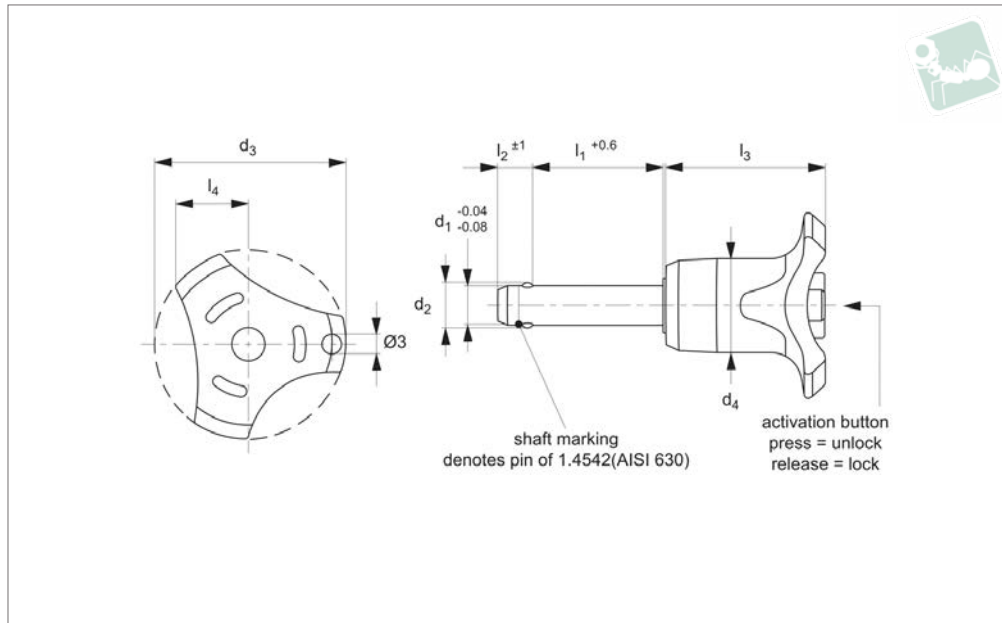




# Ball Lock Pins - Single Acting - Orange

self-locking - stainless steel 1.4542 (AISI 630)

## Quick Release Pins



**QR1736**

QUICK RELEASE PINS

### Material

Pin: stainless steel 1,4542 (AISI 630), precipitation hardened, blast finish. (marked at end of shaft to denote 1.4542 material).  
 Ball: stainless steel 1.3541  
 Spring: stainless steel.  
 Handle: thermoplastic PA 6.  
 Available colours: grey/orange, grey/blue, grey/grey, black/black.

### Technical Notes

Pressing = unlocking.  
 Releasing = locking.  
 Temperature resistance -30°C to +80°C.  
 For quick fastening and locking of frequently repeated connections.

### Tips

For lanyards & retaining cables see part no.LA1066. Easy install locating bushes

available see part no.LA1310.

### Important Notes

**Extreme load capacity due to high material grade.**  
 \*Shearing resistance similar to DIN 50141. Also available in stainless grade 1.4305 (AISI 303), see part no.33080.

Order No.	d <sub>1</sub>	l <sub>1</sub>	d <sub>2</sub>	d <sub>3</sub>	d <sub>4</sub>	l <sub>2</sub>	l <sub>3</sub>	l <sub>4</sub>	Loc'n hole tol. H11	Shearing resistance, double kN min.	Weight g
QR1736.M05-010-T	5	10	5.5	33.2	14.5	6.0	26.7	10.8	5	24	15
QR1736.M05-015-T	5	15	5.5	33.2	14.5	6.0	26.7	10.8	5	24	15
QR1736.M05-020-T	5	20	5.5	33.2	14.5	6.0	26.7	10.8	5	24	16
QR1736.M05-025-T	5	25	5.5	33.2	14.5	6.0	26.7	10.8	5	24	17
QR1736.M05-030-T	5	30	5.5	33.2	14.5	6.0	26.7	10.8	5	24	18
QR1736.M06-010-T	6	10	7.0	33.2	14.5	7.0	26.7	10.8	6	35	16
QR1736.M06-015-T	6	15	7.0	33.2	14.5	7.0	26.7	10.8	6	35	17
QR1736.M06-020-T	6	20	7.0	33.2	14.5	7.0	26.7	10.8	6	35	18
QR1736.M06-025-T	6	25	7.0	33.2	14.5	7.0	26.7	10.8	6	35	19
QR1736.M06-030-T	6	30	7.0	33.2	14.5	7.0	26.7	10.8	6	35	20
QR1736.M06-035-T	6	35	7.0	33.2	14.5	7.0	26.7	10.8	6	35	21
QR1736.M06-040-T	6	40	7.0	33.2	14.5	7.0	26.7	10.8	6	35	22
QR1736.M06-045-T	6	45	7.0	33.2	14.5	7.0	26.7	10.8	6	35	23
QR1736.M06-050-T	6	50	7.0	33.2	14.5	7.0	26.7	10.8	6	35	24
QR1736.M08-020-T	8	20	9.6	39.2	19.3	8.2	33.3	13.4	8	63	40
QR1736.M08-025-T	8	25	9.6	39.2	19.3	8.2	33.3	13.4	8	63	42
QR1736.M08-030-T	8	30	9.6	39.2	19.3	8.2	33.3	13.4	8	63	44
QR1736.M08-035-T	8	35	9.6	39.2	19.3	8.2	33.3	13.4	8	63	46
QR1736.M08-040-T	8	40	9.6	39.2	19.3	8.2	33.3	13.4	8	63	47
QR1736.M08-045-T	8	45	9.6	39.2	19.3	8.2	33.3	13.4	8	63	49
QR1736.M08-050-T	8	50	9.6	39.2	19.3	8.2	33.3	13.4	8	63	51
QR1736.M10-020-T	10	20	12.0	39.2	19.3	9.6	33.3	13.4	10	100	47
QR1736.M10-025-T	10	25	12.0	39.2	19.3	9.6	33.3	13.4	10	100	49
QR1736.M10-030-T	10	30	12.0	39.2	19.3	9.6	33.3	13.4	10	100	53
QR1736.M10-035-T	10	35	12.0	39.2	19.3	9.6	33.3	13.4	10	100	55
QR1736.M10-040-T	10	40	12.0	39.2	19.3	9.6	33.3	13.4	10	100	58

# Quick Release Pins

## Ball Lock Pins - Single Acting - Orange

self-locking - stainless steel 1.4542 (AISI 630)



QUICK RELEASE PINS

Order No.	d <sub>1</sub>	l <sub>1</sub>	d <sub>2</sub>	d <sub>3</sub>	d <sub>4</sub>	l <sub>2</sub>	l <sub>3</sub>	l <sub>4</sub>	Loc'n hole tol. H11	Shearing resistance, double kN min.	Weight g
QR1736.M10-045-T	10	45	12.0	39.2	19.3	9.6	33.3	13.4	10	100	61
QR1736.M10-050-T	10	50	12.0	39.2	19.3	9.6	33.3	13.4	10	100	64
QR1736.M10-060-T	10	60	12.0	39.2	19.3	9.6	33.3	13.4	10	100	70
QR1736.M12-025-T	12	25	14.5	47.6	26.3	10.6	39.7	16.7	12	144	96
QR1736.M12-030-T	12	30	14.5	47.6	26.3	10.6	39.7	16.7	12	144	100
QR1736.M12-035-T	12	35	14.5	47.6	26.3	10.6	39.7	16.7	12	144	105
QR1736.M12-040-T	12	40	14.5	47.6	26.3	10.6	39.7	16.7	12	144	109
QR1736.M12-045-T	12	45	14.5	47.6	26.3	10.6	39.7	16.7	12	144	113
QR1736.M12-050-T	12	50	14.5	47.6	26.3	10.6	39.7	16.7	12	144	117
QR1736.M12-060-T	12	60	14.5	47.6	26.3	10.6	39.7	16.7	12	144	126
QR1736.M12-070-T	12	70	14.5	47.6	26.3	10.6	39.7	16.7	12	144	134
QR1736.M12-080-T	12	80	14.5	47.6	26.3	10.6	39.7	16.7	12	144	143
QR1736.M16-030-T	16	30	19.0	47.6	26.3	14.0	39.7	16.7	16	257	132
QR1736.M16-035-T	16	35	19.0	47.6	26.3	14.0	39.7	16.7	16	257	140
QR1736.M16-040-T	16	40	19.0	47.6	26.3	14.0	39.7	16.7	16	257	148
QR1736.M16-045-T	16	45	19.0	47.6	26.3	14.0	39.7	16.7	16	257	155
QR1736.M16-050-T	16	50	19.0	47.6	26.3	14.0	39.7	16.7	16	257	168
QR1736.M16-060-T	16	60	19.0	47.6	26.3	14.0	39.7	16.7	16	257	178
QR1736.M16-070-T	16	70	19.0	47.6	26.3	14.0	39.7	16.7	16	257	194
QR1736.M16-080-T	16	80	19.0	47.6	26.3	14.0	39.7	16.7	16	257	208
QR1736.M20-060-T	20	60	25.0	57.1	35.4	20.5	50.7	21.5	20	403	343
QR1736.M20-080-T	20	80	25.0	57.1	35.4	20.5	50.7	21.5	20	403	392
QR1736.M20-100-T	20	100	25.0	57.1	35.4	20.5	50.7	21.5	20	403	440
QR1736.M20-120-T	20	120	25.0	57.1	35.4	20.5	50.7	21.5	20	403	488

