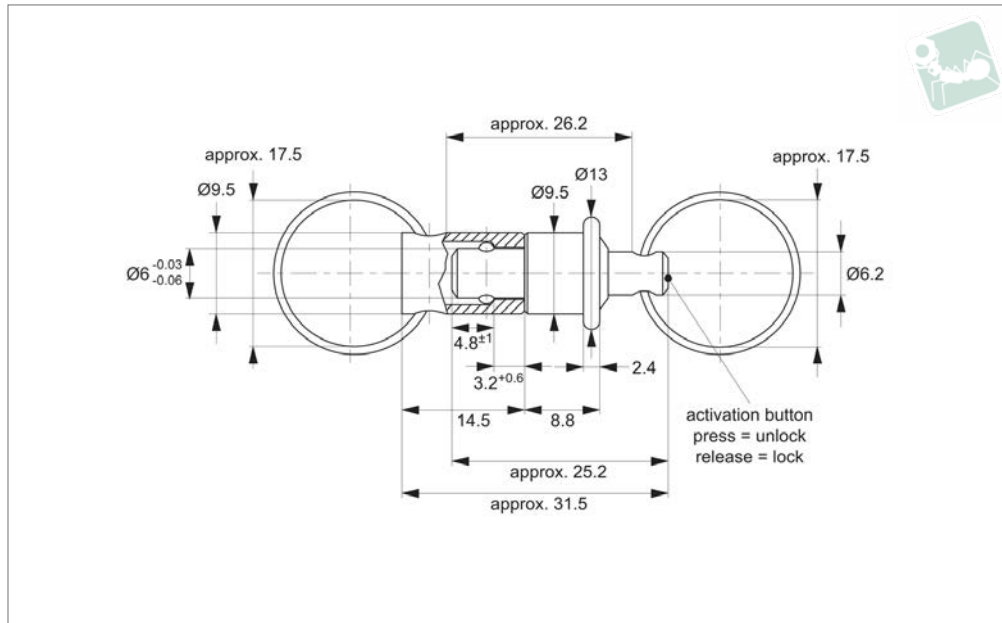




Ball Lock Pins - Single Acting - Key self-locking

Quick Release Pins



QR1820

QUICK RELEASE PINS

Material

Pin & Bush: stainless steel 1.4305 (AISI 303).

Ball: stainless steel 1.3541

Ring & Spring: stainless steel.

Technical Notes

Pressing = unlocking

Releasing = locking.

Temperature resistance up to max. 250 °C.

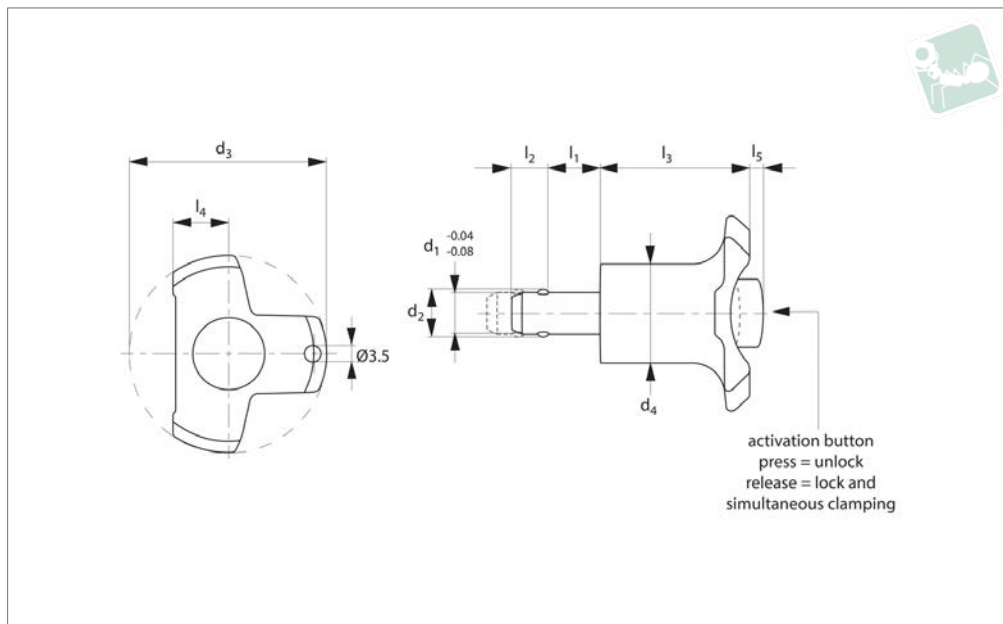
Tips

For lanyards & retaining cables see part no. LA1066.

Order No.	Load capacity N max.	Weight g
QR1820.M06-026-S	30	15



QR1830



Material

Pin: stainless steel 1,4305 (AISI 303).
 Handle: thermoplastic PA 6, grey.
 Spring: stainless steel.

Technical Notes

Pressing = unlocking & fixing.

Releasing = locking and simultaneous clamping.
 Temperature resistance: -30°C to +80°C.
 Locks and simultaneously clamps thin walled plates, with clamping distance of up to 5mm. Applications in welding work,

protection of covers and to close doors.

Tips

For lanyards & retaining cables see part no. LA1066.

