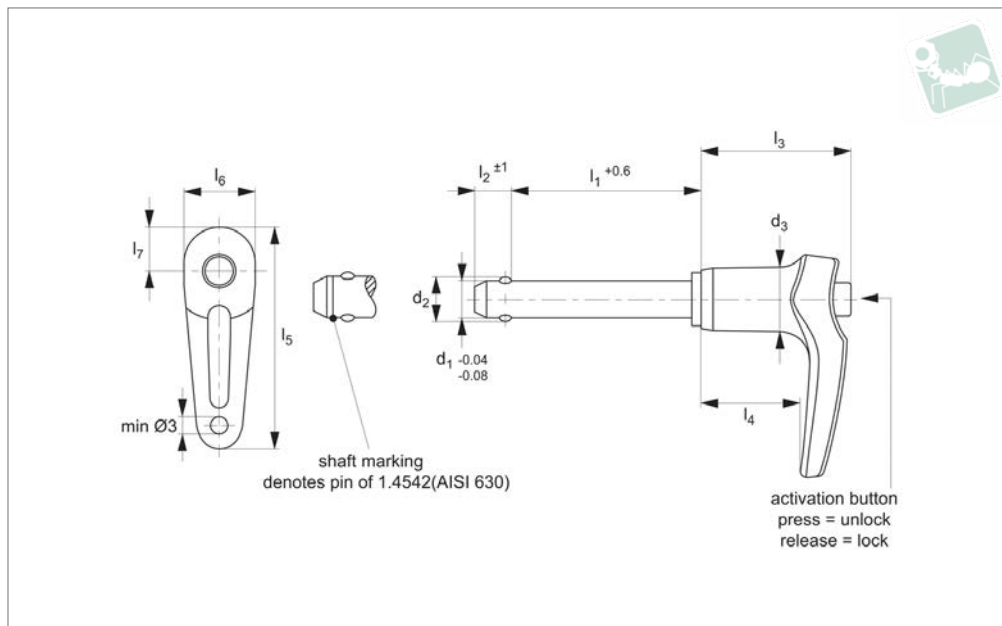




Ball Lock Pins - Single Acting - L- self-locking - stainless 1.4305

Quick Release Pins



QR1104

QUICK RELEASE PINS

Material

Pin: stainless steel 1.4305 (AISI 303).
Ball: stainless steel 1.3541
Spring: stainless steel

Releasing = locking.

Temperature resistance -30°C to +150°C.
For quick fastening and locking of
frequently repeated connections.

LA1066. Easy install locating bushes
available see part no. LA1310.

Important Notes

*Shearing resistance similar to DIN 50141.

Technical Notes

Pressing = unlocking.

Tips

For lanyards & retaining cables see aprt no.

Order No.	Material	d ₁	l ₁	d ₂	d ₃	l ₂	l ₃	l ₄	l ₅	l ₆	l ₇	Location hole dia. tol. H11	Shearing resi- stance kN	Weight g
QR1104.M05-010-S	Stainless 1.4305	5	10	5,5	11,8	6,0	31,6	21,9	43,8	12,6	8,5	5	14	20
QR1104.M05-015-S	Stainless 1.4305	5	15	5,5	11,8	6,0	31,6	21,9	43,8	12,6	8,5	5	14	21
QR1104.M05-020-S	Stainless 1.4305	5	20	5,5	11,8	6,0	31,6	21,9	43,8	12,6	8,5	5	14	21
QR1104.M05-025-S	Stainless 1.4305	5	25	5,5	11,8	6,0	31,6	21,9	43,8	12,6	8,5	5	14	22
QR1104.M05-030-S	Stainless 1.4305	5	30	5,5	11,8	6,0	31,6	21,9	43,8	12,6	8,5	5	14	23
QR1104.M06-010-S	Stainless 1.4305	6	10	7,0	11,8	7,0	31,6	21,9	43,8	12,6	8,5	6	21	21
QR1104.M06-015-S	Stainless 1.4305	6	15	7,0	11,8	7,0	31,6	21,9	43,8	12,6	8,5	6	21	22
QR1104.M06-020-S	Stainless 1.4305	6	20	7,0	11,8	7,0	31,6	21,9	43,8	12,6	8,5	6	21	23
QR1104.M06-025-S	Stainless 1.4305	6	25	7,0	11,8	7,0	31,6	21,9	43,8	12,6	8,5	6	21	24
QR1104.M06-030-S	Stainless 1.4305	6	30	7,0	11,8	7,0	31,6	21,9	43,8	12,6	8,5	6	21	25
QR1104.M06-035-S	Stainless 1.4305	6	35	7,0	11,8	7,0	31,6	21,9	43,8	12,6	8,5	6	21	26
QR1104.M06-040-S	Stainless 1.4305	6	40	7,0	11,8	7,0	31,6	21,9	43,8	12,6	8,5	6	21	27
QR1104.M06-045-S	Stainless 1.4305	6	45	7,0	11,8	7,0	31,6	21,9	43,8	12,6	8,5	6	21	28
QR1104.M06-050-S	Stainless 1.4305	6	50	7,0	11,8	7,0	31,6	21,9	43,8	12,6	8,5	6	21	29
QR1104.M08-020-S	Stainless 1.4305	8	20	9,5	14,7	8,2	35,8	24,4	49,7	15,8	9,9	8	38	37
QR1104.M08-025-S	Stainless 1.4305	8	25	9,5	14,7	8,2	35,8	24,4	49,7	15,8	9,9	8	38	39
QR1104.M08-030-S	Stainless 1.4305	8	30	9,5	14,7	8,2	35,8	24,4	49,7	15,8	9,9	8	38	41
QR1104.M08-035-S	Stainless 1.4305	8	35	9,5	14,7	8,2	35,8	24,4	49,7	15,8	9,9	8	38	43
QR1104.M08-040-S	Stainless 1.4305	8	40	9,5	14,7	8,2	35,8	24,4	49,7	15,8	9,9	8	38	45
QR1104.M08-045-S	Stainless 1.4305	8	45	9,5	14,7	8,2	35,8	24,4	49,7	15,8	9,9	8	38	46
QR1104.M08-050-S	Stainless 1.4305	8	50	9,5	14,7	8,2	35,8	24,4	49,7	15,8	9,9	8	38	48
QR1104.M10-020-S	Stainless 1.4305	10	20	12,0	14,7	9,6	35,8	24,4	49,7	15,8	9,9	10	60	44
QR1104.M10-025-S	Stainless 1.4305	10	25	12,0	14,7	9,6	35,8	24,4	49,7	15,8	9,9	10	60	47
QR1104.M10-030-S	Stainless 1.4305	10	30	12,0	14,7	9,6	35,8	24,4	49,7	15,8	9,9	10	60	50
QR1104.M10-035-S	Stainless 1.4305	10	35	12,0	14,7	9,6	35,8	24,4	49,7	15,8	9,9	10	60	53
QR1104.M10-040-S	Stainless 1.4305	10	40	12,0	14,7	9,6	35,8	24,4	49,7	15,8	9,9	10	60	56
QR1104.M10-045-S	Stainless 1.4305	10	45	12,0	14,7	9,6	35,8	24,4	49,7	15,8	9,9	10	60	58
QR1104.M10-050-S	Stainless 1.4305	10	50	12,0	14,7	9,6	35,8	24,4	49,7	15,8	9,9	10	60	62
QR1104.M10-060-S	Stainless 1.4305	10	60	12,0	14,7	9,6	35,8	24,4	49,7	15,8	9,9	10	60	67
QR1104.M12-025-S	Stainless 1.4305	12	25	14,5	18,2	10,6	35,1	22,7	57,1	20,2	12,6	12	87	73

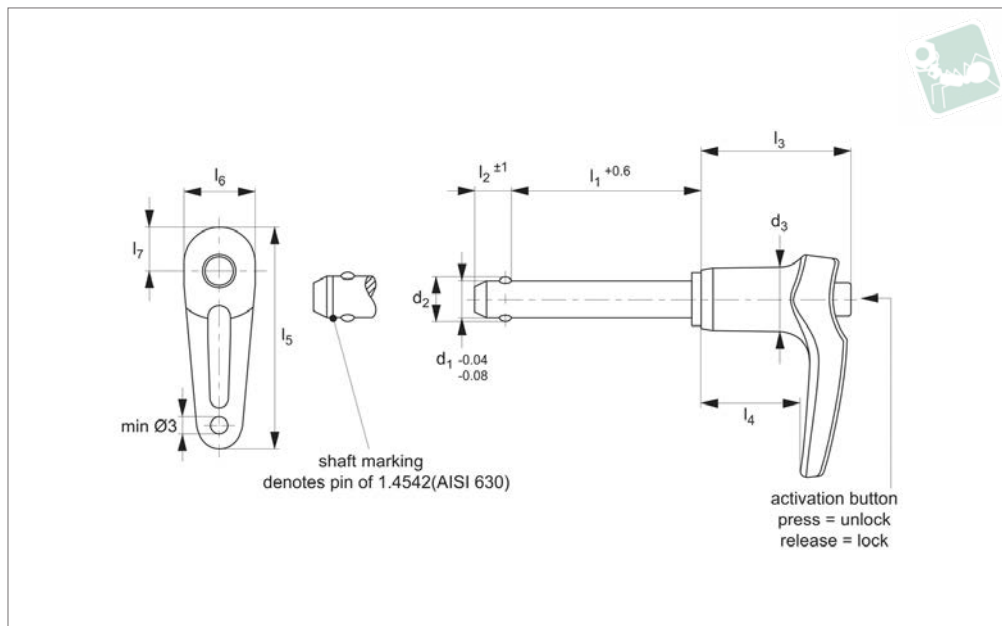


Order No.	Material	d ₁	l ₁	d ₂	d ₃	l ₂	l ₃	l ₄	l ₅	l ₆	l ₇	Location hole dia. tol. H11	Shearing resi- stance kN	Weight g
QR1104.M12-030-S	Stainless 1.4305	12	30	14,5	18,2	10,6	35,1	22,7	57,1	20,2	12,6	12	87	77
QR1104.M12-035-S	Stainless 1.4305	12	35	14,5	18,2	10,6	35,1	22,7	57,1	20,2	12,6	12	87	82
QR1104.M12-040-S	Stainless 1.4305	12	40	14,5	18,2	10,6	35,1	22,7	57,1	20,2	12,6	12	87	86
QR1104.M12-045-S	Stainless 1.4305	12	45	14,5	18,2	10,6	35,1	22,7	57,1	20,2	12,6	12	87	90
QR1104.M12-050-S	Stainless 1.4305	12	50	14,5	18,2	10,6	35,1	22,7	57,1	20,2	12,6	12	87	94
QR1104.M12-060-S	Stainless 1.4305	12	60	14,5	18,2	10,6	35,1	22,7	57,1	20,2	12,6	12	87	103
QR1104.M12-070-S	Stainless 1.4305	12	70	14,5	18,2	10,6	35,1	22,7	57,1	20,2	12,6	12	87	111
QR1104.M12-080-S	Stainless 1.4305	12	80	14,5	18,2	10,6	35,1	22,7	57,1	20,2	12,6	12	87	120



Ball Lock Pins - Single Acting - L- self-locking - stainless 1.4542

Quick Release Pins



QR1106

QUICK RELEASE PINS

Material

Pin: stainless steel 1.4542 (AISI 630).
Precipitation hardened, blast finish. Offering extreme load capacity. (Marked at end of shaft to denote 1.4542 material).
Ball: stainless steel 1.3541
Handle: aluminium, black (RAL9003).
Spring: stainless steel.

Technical Notes

Pressing = unlocking.
Releasing = locking.
Temperature resistance -30°C to +150°C.
For quick fastening and locking of frequently repeated connections.

Tips

For lanyards & retaining cables see apt no. LA1066. Easy install locating bushes available see part no. LA1310.

Important Notes

*Shearing resistance similar to DIN 50141.

Order No.	Material	d ₁	l ₁	d ₂	d ₃	Weight g
QR1106.M05-010-T	Stainless 1.4542	5	10	5.5	11.8	20
QR1106.M05-015-T	Stainless 1.4542	5	15	5.5	11.8	21
QR1106.M05-020-T	Stainless 1.4542	5	20	5.5	11.8	21
QR1106.M05-025-T	Stainless 1.4542	5	25	5.5	11.8	22
QR1106.M05-030-T	Stainless 1.4542	5	30	5.5	11.8	23
QR1106.M06-010-T	Stainless 1.4542	6	10	7.0	11.8	21
QR1106.M06-015-T	Stainless 1.4542	6	15	7.0	11.8	22
QR1106.M06-020-T	Stainless 1.4542	6	20	7.0	11.8	23
QR1106.M06-025-T	Stainless 1.4542	6	25	7.0	11.8	24
QR1106.M06-030-T	Stainless 1.4542	6	30	7.0	11.8	25
QR1106.M06-035-T	Stainless 1.4542	6	35	7.0	11.8	26
QR1106.M06-040-T	Stainless 1.4542	6	40	7.0	11.8	27
QR1106.M06-045-T	Stainless 1.4542	6	45	7.0	11.8	28
QR1106.M06-050-T	Stainless 1.4542	6	50	7.0	11.8	29
QR1106.M08-020-T	Stainless 1.4542	8	20	9.5	14.7	37
QR1106.M08-025-T	Stainless 1.4542	8	25	9.5	14.7	39
QR1106.M08-030-T	Stainless 1.4542	8	30	9.5	14.7	41
QR1106.M08-035-T	Stainless 1.4542	8	35	9.5	14.7	43
QR1106.M08-040-T	Stainless 1.4542	8	40	9.5	14.7	45
QR1106.M08-045-T	Stainless 1.4542	8	45	9.5	14.7	46
QR1106.M08-050-T	Stainless 1.4542	8	50	9.5	14.7	48
QR1106.M10-020-T	Stainless 1.4542	10	20	12.0	14.7	44
QR1106.M10-025-T	Stainless 1.4542	10	25	12.0	14.7	47
QR1106.M10-030-T	Stainless 1.4542	10	30	12.0	14.7	50
QR1106.M10-035-T	Stainless 1.4542	10	35	12.0	14.7	53
QR1106.M10-040-T	Stainless 1.4542	10	40	12.0	14.7	56
QR1106.M10-045-T	Stainless 1.4542	10	45	12.0	14.7	58
QR1106.M10-050-T	Stainless 1.4542	10	50	12.0	14.7	62
QR1106.M10-060-T	Stainless 1.4542	10	60	12.0	14.7	67

Quick Release Pins

Ball Lock Pins - Single Acting - L- self-locking - stainless 1.4542



QUICK RELEASE PINS

Order No.	Material	d ₁	l ₁	d ₂	d ₃	Weight g
QR1106.M12-025-T	Stainless 1.4542	12	25	14.5	18.2	73
QR1106.M12-030-T	Stainless 1.4542	12	30	14.5	18.2	77
QR1106.M12-035-T	Stainless 1.4542	12	35	14.5	18.2	82
QR1106.M12-040-T	Stainless 1.4542	12	40	14.5	18.2	86
QR1106.M12-045-T	Stainless 1.4542	12	45	14.5	18.2	90
QR1106.M12-050-T	Stainless 1.4542	12	50	14.5	18.2	94
QR1106.M12-060-T	Stainless 1.4542	12	60	14.5	18.2	103
QR1106.M12-070-T	Stainless 1.4542	12	70	14.5	18.2	111
QR1106.M12-080-T	Stainless 1.4542	12	80	14.5	18.2	120

Order No.	l ₂	l ₃	l ₄	l ₅	l ₆	l ₇	Location hole dia. tol. H11	Shearing resistance kN
QR1106.M05-010-T	6.0	31.6	21.9	43.8	12.6	8.5	5	24
QR1106.M05-015-T	6.0	31.6	21.9	43.8	12.6	8.5	5	24
QR1106.M05-020-T	6.0	31.6	21.9	43.8	12.6	8.5	5	24
QR1106.M05-025-T	6.0	31.6	21.9	43.8	12.6	8.5	5	24
QR1106.M05-030-T	6.0	31.6	21.9	43.8	12.6	8.5	5	24
QR1106.M06-010-T	7.0	31.6	21.9	43.8	12.6	8.5	6	35
QR1106.M06-015-T	7.0	31.6	21.9	43.8	12.6	8.5	6	35
QR1106.M06-020-T	7.0	31.6	21.9	43.8	12.6	8.5	6	35
QR1106.M06-025-T	7.0	31.6	21.9	43.8	12.6	8.5	6	35
QR1106.M06-030-T	7.0	31.6	21.9	43.8	12.6	8.5	6	35
QR1106.M06-035-T	7.0	31.6	21.9	43.8	12.6	8.5	6	35
QR1106.M06-040-T	7.0	31.6	21.9	43.8	12.6	8.5	6	35
QR1106.M06-045-T	7.0	31.6	21.9	43.8	12.6	8.5	6	35
QR1106.M06-050-T	7.0	31.6	21.9	43.8	12.6	8.5	6	35
QR1106.M08-020-T	8.2	35.8	24.4	49.7	15.8	9.9	8	63
QR1106.M08-025-T	8.2	35.8	24.4	49.7	15.8	9.9	8	63
QR1106.M08-030-T	8.2	35.8	24.4	49.7	15.8	9.9	8	63
QR1106.M08-035-T	8.2	35.8	24.4	49.7	15.8	9.9	8	63
QR1106.M08-040-T	8.2	35.8	24.4	49.7	15.8	9.9	8	63
QR1106.M08-045-T	8.2	35.8	24.4	49.7	15.8	9.9	8	63
QR1106.M08-050-T	8.2	35.8	24.4	49.7	15.8	9.9	8	63
QR1106.M10-020-T	9.6	35.8	24.4	49.7	15.8	9.9	10	100
QR1106.M10-025-T	9.6	35.8	24.4	49.7	15.8	9.9	10	100
QR1106.M10-030-T	9.6	35.8	24.4	49.7	15.8	9.9	10	100
QR1106.M10-035-T	9.6	35.8	24.4	49.7	15.8	9.9	10	100
QR1106.M10-040-T	9.6	35.8	24.4	49.7	15.8	9.9	10	100
QR1106.M10-045-T	9.6	35.8	24.4	49.7	15.8	9.9	10	100
QR1106.M10-050-T	9.6	35.8	24.4	49.7	15.8	9.9	10	100



Ball Lock Pins - Single Acting - L- self-locking - stainless 1.4542

Quick Release Pins

Order No.	l ₂	l ₃	l ₄	l ₅	l ₆	l ₇	Location hole dia. tol. H11	Shearing resistance kN
QR1106.M10-060-T	9.6	35.8	24.4	49.7	15.8	9.9	10	100
QR1106.M12-025-T	10.6	35.1	22.7	57.1	20.2	12.6	12	144
QR1106.M12-030-T	10.6	35.1	22.7	57.1	20.2	12.6	12	144
QR1106.M12-035-T	10.6	35.1	22.7	57.1	20.2	12.6	12	144
QR1106.M12-040-T	10.6	35.1	22.7	57.1	20.2	12.6	12	144
QR1106.M12-045-T	10.6	35.1	22.7	57.1	20.2	12.6	12	144
QR1106.M12-050-T	10.6	35.1	22.7	57.1	20.2	12.6	12	144
QR1106.M12-060-T	10.6	35.1	22.7	57.1	20.2	12.6	12	144
QR1106.M12-070-T	10.6	35.1	22.7	57.1	20.2	12.6	12	144
QR1106.M12-080-T	10.6	35.1	22.7	57.1	20.2	12.6	12	144

QUICK RELEASE PINS

Quick Release Pins

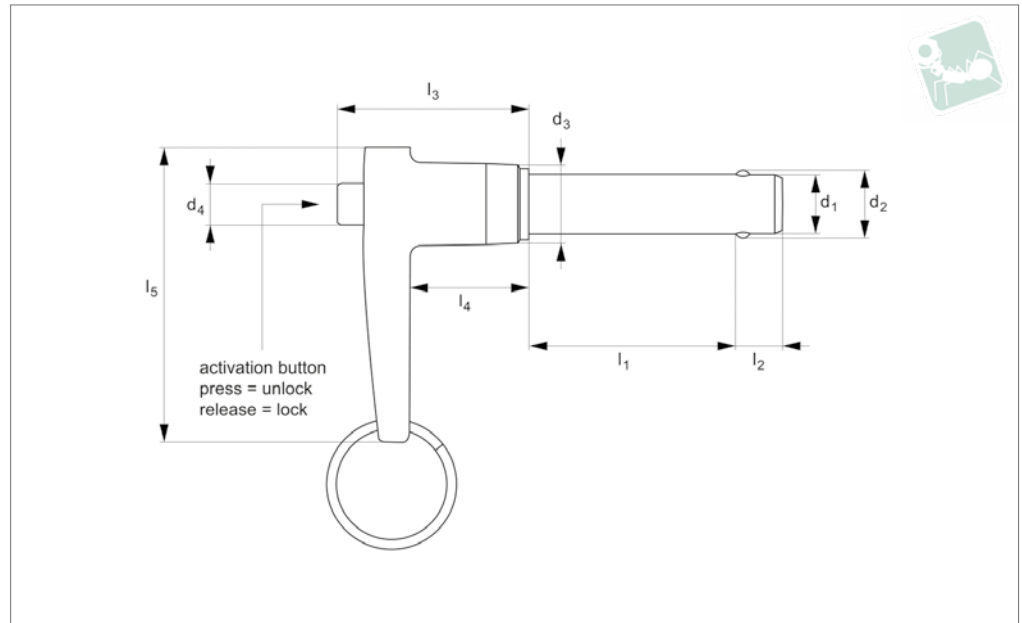
Quick Release Pins - Metric - L-handle steel pin



QUICK RELEASE PINS



QR1112



Material

Pin: alloy steel, 4130 (DIN 1.7218), Zinc plated clear chromate. Tensile strength 1,100 N/mm² min. RoHS compliant.
 Handle: Alu. 380 die cast (DIN AlSi9Cu3), black anodised (RAL 9003).
 Actuator button: Alu. 2024-T4 (DIN AlCuMg2), anodised blue or clear.

Internal spindle, balls and split ring (supplied); from stainless steel.

Technical Notes

Pressing = unlocking.
 Releasing = locking.
 Temperature range -30°C to +150°C
Supplied with split ring.

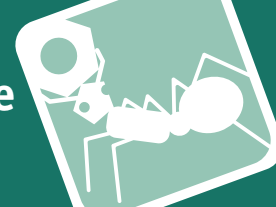
Tips

For quick fastening and locking frequently repeated connections.
 For lanyards & retaining cables see part nos. L to LA1224. For easy install locating bushes and end caps see part nos. LA1260 to LA1355.

Order No.	d ₁ nom. dia.	l ₁ grip +0.50 -0.00	Material	d ₁ max.	d ₁ min.	d ₂ ±0.25	d ₃	d ₄	l ₂ ±1.00	l ₃	l ₄	l ₅	Loc'n hole min. max.	Pull out strength kN min.	Calc. double shear kN
QR1112.M05-010-C	5	10	4130 Steel	4,96	4,92	5,54	11,9	5,8	6	30,7	19,3	46,7	5,0/5,1	0,89	21,6
QR1112.M05-015-C	5	15	4130 Steel	4,96	4,92	5,54	11,9	5,8	6	30,7	19,3	46,7	5,0/5,1	0,89	21,6
QR1112.M05-020-C	5	20	4130 Steel	4,96	4,92	5,54	11,9	5,8	6	30,7	19,3	46,7	5,0/5,1	0,89	21,6
QR1112.M05-025-C	5	25	4130 Steel	4,96	4,92	5,54	11,9	5,8	6	30,7	19,3	46,7	5,0/5,1	0,89	21,6
QR1112.M05-030-C	5	30	4130 Steel	4,96	4,92	5,54	11,9	5,8	6	30,7	19,3	46,7	5,0/5,1	0,89	21,6
QR1112.M05-035-C	5	35	4130 Steel	4,96	4,92	5,54	11,9	5,8	6	30,7	19,3	46,7	5,0/5,1	0,89	21,6
QR1112.M05-040-C	5	40	4130 Steel	4,96	4,92	5,54	11,9	5,8	6	30,7	19,3	46,7	5,0/5,1	0,89	21,6
QR1112.M05-045-C	5	45	4130 Steel	4,96	4,92	5,54	11,9	5,8	6	30,7	19,3	46,7	5,0/5,1	0,89	21,6
QR1112.M05-050-C	5	50	4130 Steel	4,96	4,92	5,54	11,9	5,8	6	30,7	19,3	46,7	5,0/5,1	0,89	21,6
QR1112.M05-060-C	5	60	4130 Steel	4,96	4,92	5,54	11,9	5,8	6	30,7	19,3	46,7	5,0/5,1	0,89	21,6
QR1112.M05-070-C	5	70	4130 Steel	4,96	4,92	5,54	11,9	5,8	6	30,7	19,3	46,7	5,0/5,1	0,89	21,6
QR1112.M05-080-C	5	80	4130 Steel	4,96	4,92	5,54	11,9	5,8	6	30,7	19,3	46,7	5,0/5,1	0,89	21,6
QR1112.M05-090-C	5	90	4130 Steel	4,96	4,92	5,54	11,9	5,8	6	30,7	19,3	46,7	5,0/5,1	0,89	21,6
QR1112.M05-100-C	5	100	4130 Steel	4,96	4,92	5,54	11,9	5,8	6	30,7	19,3	46,7	5,0/5,1	0,89	21,6
QR1112.M06-010-C	6	10	4130 Steel	5,96	5,92	6,99	11,9	5,8	7	30,7	19,3	46,7	6,0/6,1	1,02	31,69
QR1112.M06-015-C	6	15	4130 Steel	5,96	5,92	6,99	11,9	5,8	7	30,7	19,3	46,7	6,0/6,1	1,02	31,69
QR1112.M06-020-C	6	20	4130 Steel	5,96	5,92	6,99	11,9	5,8	7	30,7	19,3	46,7	6,0/6,1	1,02	31,69
QR1112.M06-025-C	6	25	4130 Steel	5,96	5,92	6,99	11,9	5,8	7	30,7	19,3	46,7	6,0/6,1	1,02	31,69
QR1112.M06-030-C	6	30	4130 Steel	5,96	5,92	6,99	11,9	5,8	7	30,7	19,3	46,7	6,0/6,1	1,02	31,69
QR1112.M06-035-C	6	35	4130 Steel	5,96	5,92	6,99	11,9	5,8	7	30,7	19,3	46,7	6,0/6,1	1,02	31,69
QR1112.M06-040-C	6	40	4130 Steel	5,96	5,92	6,99	11,9	5,8	7	30,7	19,3	46,7	6,0/6,1	1,02	31,69
QR1112.M06-045-C	6	45	4130 Steel	5,96	5,92	6,99	11,9	5,8	7	30,7	19,3	46,7	6,0/6,1	1,02	31,69
QR1112.M06-050-C	6	50	4130 Steel	5,96	5,92	6,99	11,9	5,8	7	30,7	19,3	46,7	6,0/6,1	1,02	31,69
QR1112.M06-060-C	6	60	4130 Steel	5,96	5,92	6,99	11,9	5,8	7	30,7	19,3	46,7	6,0/6,1	1,02	31,69
QR1112.M06-070-C	6	70	4130 Steel	5,96	5,92	6,99	11,9	5,8	7	30,7	19,3	46,7	6,0/6,1	1,02	31,69
QR1112.M06-080-C	6	80	4130 Steel	5,96	5,92	6,99	11,9	5,8	7	30,7	19,3	46,7	6,0/6,1	1,02	31,69
QR1112.M06-090-C	6	90	4130 Steel	5,96	5,92	6,99	11,9	5,8	7	30,7	19,3	46,7	6,0/6,1	1,02	31,69
QR1112.M06-100-C	6	100	4130 Steel	5,96	5,92	6,99	11,9	5,8	7	30,7	19,3	46,7	6,0/6,1	1,02	31,69

Quick Release Pins

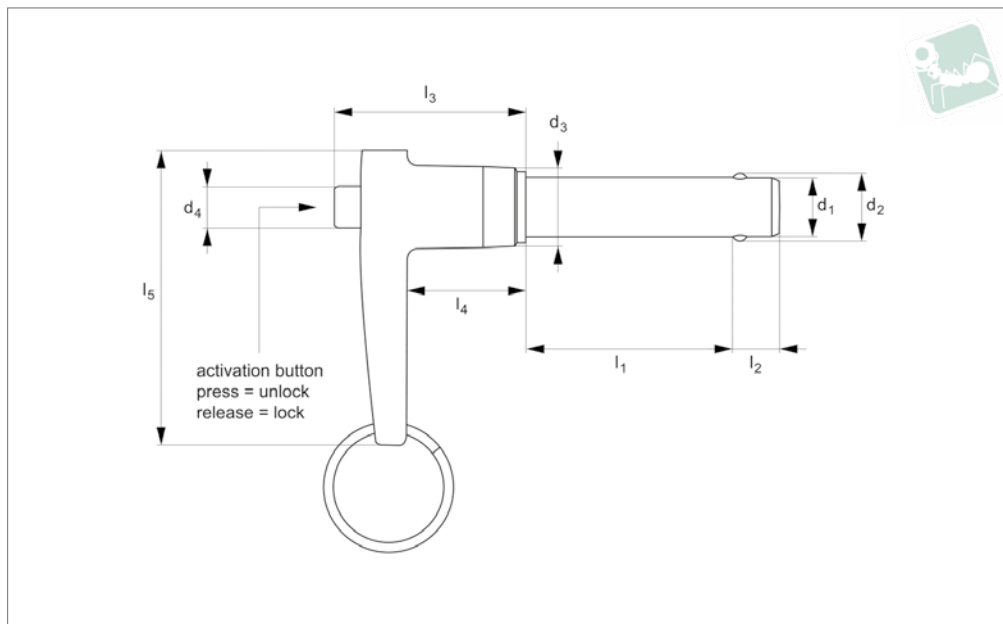
Quick Release Pins - Metric - L-handle precipitation hardened stainless pin



QUICK RELEASE PINS



QR1116



Material

Pin: stainless steel 17-4PH (DIN 1.4542, AISI 630), precipitation hardened, passivated. Tensile strength 1,300 N/mm² min. HRC 40. RoHS compliant.
Handle: Alu. 380 die cast (DIN AlSi9Cu3), black anodised (RAL 9003).
Actuator button: Alu. 2024-T4 (DIN AlCuMg2), anodised blue or clear.

Internal spindle, balls and split ring (supplied); from stainless steel.

Technical Notes

Pressing = unlocking.
Releasing = locking.
Temperature range -30°C to +150°C
Supplied with split ring.

Tips

For quick fastening and locking frequently repeated connections.
For lanyards & retaining cables see part nos. L to LA1224. For easy install locating bushes and end caps see part nos. LA1260 to LA1355.

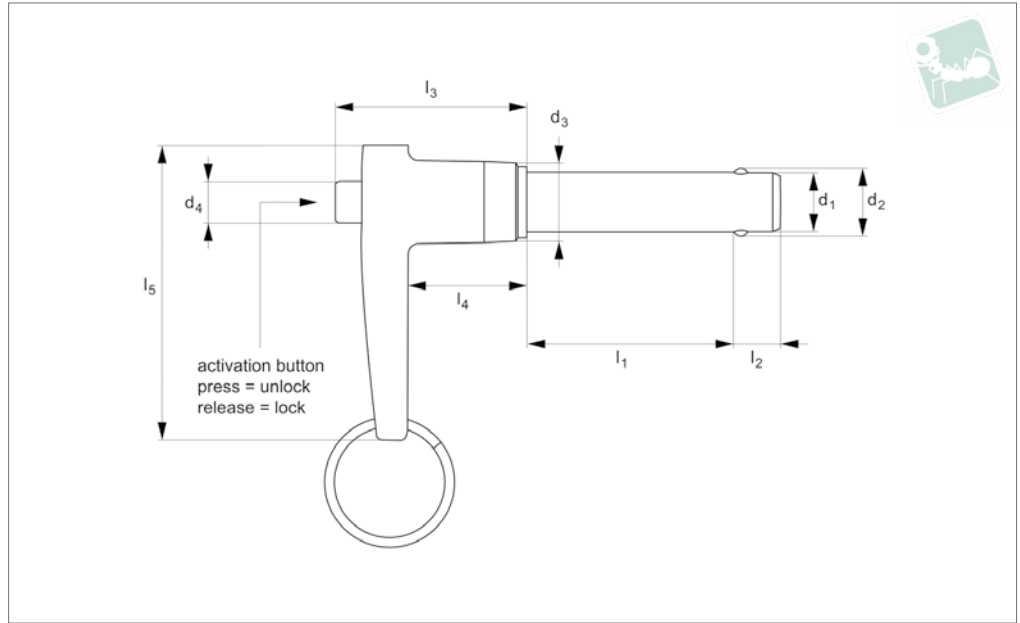
Order No.	d ₁ nom.	l ₁ grip +0.50 - 0.00	Material	d ₁ max.	d ₁ min.	d ₂ ±0.25	d ₃	d ₄	l ₂ ±1.00	l ₃	l ₄	l ₅	Loc'n hole min. max.	Pull out strength kN min.	Calc. double shear kN
QR1116.M05-010-T	5	10	17-4 PH	4,96	4,92	5,54	11,9	5,8	6	30,7	19,3	46,7	5,0/5,1	0,89	24,4
QR1116.M05-015-T	5	15	17-4 PH	4,96	4,92	5,54	11,9	5,8	6	30,7	19,3	46,7	5,0/5,1	0,89	24,4
QR1116.M05-020-T	5	20	17-4 PH	4,96	4,92	5,54	11,9	5,8	6	30,7	19,3	46,7	5,0/5,1	0,89	24,4
QR1116.M05-025-T	5	25	17-4 PH	4,96	4,92	5,54	11,9	5,8	6	30,7	19,3	46,7	5,0/5,1	0,89	24,4
QR1116.M05-030-T	5	30	17-4 PH	4,96	4,92	5,54	11,9	5,8	6	30,7	19,3	46,7	5,0/5,1	0,89	24,4
QR1116.M05-035-T	5	35	17-4 PH	4,96	4,92	5,54	11,9	5,8	6	30,7	19,3	46,7	5,0/5,1	0,89	24,4
QR1116.M05-040-T	5	40	17-4 PH	4,96	4,92	5,54	11,9	5,8	6	30,7	19,3	46,7	5,0/5,1	0,89	24,4
QR1116.M05-045-T	5	45	17-4 PH	4,96	4,92	5,54	11,9	5,8	6	30,7	19,3	46,7	5,0/5,1	0,89	24,4
QR1116.M05-050-T	5	50	17-4 PH	4,96	4,92	5,54	11,9	5,8	6	30,7	19,3	46,7	5,0/5,1	0,89	24,4
QR1116.M05-060-T	5	60	17-4 PH	4,96	4,92	5,54	11,9	5,8	6	30,7	19,3	46,7	5,0/5,1	0,89	24,4
QR1116.M05-070-T	5	70	17-4 PH	4,96	4,92	5,54	11,9	5,8	6	30,7	19,3	46,7	5,0/5,1	0,89	24,4
QR1116.M05-080-T	5	80	17-4 PH	4,96	4,92	5,54	11,9	5,8	6	30,7	19,3	46,7	5,0/5,1	0,89	24,4
QR1116.M05-090-T	5	90	17-4 PH	4,96	4,92	5,54	11,9	5,8	6	30,7	19,3	46,7	5,0/5,1	0,89	24,4
QR1116.M05-100-T	5	100	17-4 PH	4,96	4,92	5,54	11,9	5,8	6	30,7	19,3	46,7	5,0/5,1	0,89	24,4
QR1116.M06-010-T	6	10	17-4 PH	5,96	5,92	6,99	11,9	5,8	7	30,7	19,3	46,7	6,0/6,1	1,02	35,64
QR1116.M06-015-T	6	15	17-4 PH	5,96	5,92	6,99	11,9	5,8	7	30,7	19,3	46,7	6,0/6,1	1,02	35,64
QR1116.M06-020-T	6	20	17-4 PH	5,96	5,92	6,99	11,9	5,8	7	30,7	19,3	46,7	6,0/6,1	1,02	35,64
QR1116.M06-025-T	6	25	17-4 PH	5,96	5,92	6,99	11,9	5,8	7	30,7	19,3	46,7	6,0/6,1	1,02	35,64
QR1116.M06-030-T	6	30	17-4 PH	5,96	5,92	6,99	11,9	5,8	7	30,7	19,3	46,7	6,0/6,1	1,02	35,64
QR1116.M06-035-T	6	35	17-4 PH	5,96	5,92	6,99	11,9	5,8	7	30,7	19,3	46,7	6,0/6,1	1,02	35,64
QR1116.M06-040-T	6	40	17-4 PH	5,96	5,92	6,99	11,9	5,8	7	30,7	19,3	46,7	6,0/6,1	1,02	35,64
QR1116.M06-045-T	6	45	17-4 PH	5,96	5,92	6,99	11,9	5,8	7	30,7	19,3	46,7	6,0/6,1	1,02	35,64
QR1116.M06-050-T	6	50	17-4 PH	5,96	5,92	6,99	11,9	5,8	7	30,7	19,3	46,7	6,0/6,1	1,02	35,64
QR1116.M06-060-T	6	60	17-4 PH	5,96	5,92	6,99	11,9	5,8	7	30,7	19,3	46,7	6,0/6,1	1,02	35,64
QR1116.M06-070-T	6	70	17-4 PH	5,96	5,92	6,99	11,9	5,8	7	30,7	19,3	46,7	6,0/6,1	1,02	35,64
QR1116.M06-080-T	6	80	17-4 PH	5,96	5,92	6,99	11,9	5,8	7	30,7	19,3	46,7	6,0/6,1	1,02	35,64

Quick Release Pins

Quick Release Pins - Inch - L-handle steel pin



QR1122



QUICK RELEASE PINS

Material

Pin: alloy steel, 4130 (DIN 1.7218), Cadmium plated. Tensile strength 1,100 N/mm² min. Non-RoHS compliant.
 Handle: Alu. 380 die cast (DIN AlSi9Cu3), black anodised (RAL 9003).
 Actuator button: Alu. 2024-T4 (DIN AlCuMg2), anodised blue or clear.

Internal spindle, balls and split ring (supplied); from stainless steel.

Technical Notes

Pressing = unlocking.
 Releasing = locking.
 Temperature range -30°C to +150°C
Supplied with split ring.

Tips

For quick fastening and locking frequently repeated connections.
 For lanyards & retaining cables see part nos. L to LA1224. For easy install locating bushes and end caps see part nos. LA1260 to LA1355.

Order No.	d ₁ nom.	l ₁ grip +0.02 -0.00	Material	d ₁ max.	d ₁ min.	d ₂ ±0.005	d ₃	d ₄	l ₂ +0.000 -0.030	l ₃	l ₄	l ₅	Loc'n hole min. max.	Pull out strength lb min.	Calc. double shear lb
QR1122.I18-050-C	3/16	0,50	4130 Steel	,1885	,1870	0,220	0,47	0,23	0,260	1,21	0,76	1,84	,1900/,1940	200	4600
QR1122.I18-075-C	3/16	0,75	4130 Steel	,1885	,1870	0,220	0,47	0,23	0,260	1,21	0,76	1,84	,1900/,1940	200	4600
QR1122.I18-100-C	3/16	1,00	4130 Steel	,1885	,1870	0,220	0,47	0,23	0,260	1,21	0,76	1,84	,1900/,1940	200	4600
QR1122.I18-125-C	3/16	1,25	4130 Steel	,1885	,1870	0,220	0,47	0,23	0,260	1,21	0,76	1,84	,1900/,1940	200	4600
QR1122.I18-150-C	3/16	1,50	4130 Steel	,1885	,1870	0,220	0,47	0,23	0,260	1,21	0,76	1,84	,1900/,1940	200	4600
QR1122.I18-175-C	3/16	1,75	4130 Steel	,1885	,1870	0,220	0,47	0,23	0,260	1,21	0,76	1,84	,1900/,1940	200	4600
QR1122.I18-200-C	3/16	2,00	4130 Steel	,1885	,1870	0,220	0,47	0,23	0,260	1,21	0,76	1,84	,1900/,1940	200	4600
QR1122.I18-250-C	3/16	2,50	4130 Steel	,1885	,1870	0,220	0,47	0,23	0,260	1,21	0,76	1,84	,1900/,1940	200	4600
QR1122.I18-300-C	3/16	3,00	4130 Steel	,1885	,1870	0,220	0,47	0,23	0,260	1,21	0,76	1,84	,1900/,1940	200	4600
QR1122.I18-350-C	3/16	3,50	4130 Steel	,1885	,1870	0,220	0,47	0,23	0,260	1,21	0,76	1,84	,1900/,1940	200	4600
QR1122.I18-400-C	3/16	4,00	4130 Steel	,1885	,1870	0,220	0,47	0,23	0,260	1,21	0,76	1,84	,1900/,1940	200	4600
QR1122.I25-050-C	1/4	0,50	4130 Steel	,2485	,2470	0,289	0,47	0,23	0,290	1,21	0,76	1,84	,2500/,2540	230	8200
QR1122.I25-075-C	1/4	0,75	4130 Steel	,2485	,2470	0,289	0,47	0,23	0,290	1,21	0,76	1,84	,2500/,2540	230	8200
QR1122.I25-100-C	1/4	1,00	4130 Steel	,2485	,2470	0,289	0,47	0,23	0,290	1,21	0,76	1,84	,2500/,2540	230	8200
QR1122.I25-125-C	1/4	1,25	4130 Steel	,2485	,2470	0,289	0,47	0,23	0,290	1,21	0,76	1,84	,2500/,2540	230	8200
QR1122.I25-150-C	1/4	1,50	4130 Steel	,2485	,2470	0,289	0,47	0,23	0,290	1,21	0,76	1,84	,2500/,2540	230	8200
QR1122.I25-175-C	1/4	1,75	4130 Steel	,2485	,2470	0,289	0,47	0,23	0,290	1,21	0,76	1,84	,2500/,2540	230	8200
QR1122.I25-200-C	1/4	2,00	4130 Steel	,2485	,2470	0,289	0,47	0,23	0,290	1,21	0,76	1,84	,2500/,2540	230	8200
QR1122.I25-250-C	1/4	2,50	4130 Steel	,2485	,2470	0,289	0,47	0,23	0,290	1,21	0,76	1,84	,2500/,2540	230	8200
QR1122.I25-300-C	1/4	3,00	4130 Steel	,2485	,2470	0,289	0,47	0,23	0,290	1,21	0,76	1,84	,2500/,2540	230	8200
QR1122.I25-350-C	1/4	3,50	4130 Steel	,2485	,2470	0,289	0,47	0,23	0,290	1,21	0,76	1,84	,2500/,2540	230	8200
QR1122.I25-400-C	1/4	4,00	4130 Steel	,2485	,2470	0,289	0,47	0,23	0,290	1,21	0,76	1,84	,2500/,2540	230	8200
QR1122.I31-050-C	5/16	0,50	4130 Steel	,3110	,3095	0,375	0,47	0,23	0,330	1,21	0,76	1,84	,3125/,3165	510	12800
QR1122.I31-075-C	5/16	0,75	4130 Steel	,3110	,3095	0,375	0,47	0,23	0,330	1,21	0,76	1,84	,3125/,3165	510	12800
QR1122.I31-100-C	5/16	1,00	4130 Steel	,3110	,3095	0,375	0,47	0,23	0,330	1,21	0,76	1,84	,3125/,3165	510	12800
QR1122.I31-125-C	5/16	1,25	4130 Steel	,3110	,3095	0,375	0,47	0,23	0,330	1,21	0,76	1,84	,3125/,3165	510	12800
QR1122.I31-150-C	5/16	1,50	4130 Steel	,3110	,3095	0,375	0,47	0,23	0,330	1,21	0,76	1,84	,3125/,3165	510	12800
QR1122.I31-175-C	5/16	1,75	4130 Steel	,3110	,3095	0,375	0,47	0,23	0,330	1,21	0,76	1,84	,3125/,3165	510	12800



Quick Release Pins - Inch - L-handle steel pin

Quick Release Pins

Order No.	d ₁ nom.	l ₁ grip +0.02 - 0.00	Material	d ₁ max.	d ₁ min.	d ₂ ±0.005	d ₃	d ₄	l ₂ +0.000 -0.030	l ₃	l ₄	l ₅	Loc'n hole min. max.	Pull out strength lb min.	Calc. double shear lb
QR1122.I31-200-C	5/16	2,00	4130 Steel	,3110	,3095	0,375	0,47	0,23	0,330	1,21	0,76	1,84	,3125/,3165	510	12800
QR1122.I31-250-C	5/16	2,50	4130 Steel	,3110	,3095	0,375	0,47	0,23	0,330	1,21	0,76	1,84	,3125/,3165	510	12800
QR1122.I31-300-C	5/16	3,00	4130 Steel	,3110	,3095	0,375	0,47	0,23	0,330	1,21	0,76	1,84	,3125/,3165	510	12800
QR1122.I31-350-C	5/16	3,50	4130 Steel	,3110	,3095	0,375	0,47	0,23	0,330	1,21	0,76	1,84	,3125/,3165	510	12800
QR1122.I31-400-C	5/16	4,00	4130 Steel	,3110	,3095	0,375	0,47	0,23	0,330	1,21	0,76	1,84	,3125/,3165	510	12800
QR1122.I37-050-C	3/8	0,50	4130 Steel	,3735	,3720	0,440	0,56	0,29	0,365	1,37	0,87	2,13	,3750/,3790	575	18400
QR1122.I37-075-C	3/8	0,75	4130 Steel	,3735	,3720	0,440	0,56	0,29	0,365	1,37	0,87	2,13	,3750/,3790	575	18400
QR1122.I37-100-C	3/8	1,00	4130 Steel	,3735	,3720	0,440	0,56	0,29	0,365	1,37	0,87	2,13	,3750/,3790	575	18400
QR1122.I37-125-C	3/8	1,25	4130 Steel	,3735	,3720	0,440	0,56	0,29	0,365	1,37	0,87	2,13	,3750/,3790	575	18400
QR1122.I37-150-C	3/8	1,50	4130 Steel	,3735	,3720	0,440	0,56	0,29	0,365	1,37	0,87	2,13	,3750/,3790	575	18400
QR1122.I37-175-C	3/8	1,75	4130 Steel	,3735	,3720	0,440	0,56	0,29	0,365	1,37	0,87	2,13	,3750/,3790	575	18400
QR1122.I37-200-C	3/8	2,00	4130 Steel	,3735	,3720	0,440	0,56	0,29	0,365	1,37	0,87	2,13	,3750/,3790	575	18400
QR1122.I37-250-C	3/8	2,50	4130 Steel	,3735	,3720	0,440	0,56	0,29	0,365	1,37	0,87	2,13	,3750/,3790	575	18400
QR1122.I37-300-C	3/8	3,00	4130 Steel	,3735	,3720	0,440	0,56	0,29	0,365	1,37	0,87	2,13	,3750/,3790	575	18400
QR1122.I37-350-C	3/8	3,50	4130 Steel	,3735	,3720	0,440	0,56	0,29	0,365	1,37	0,87	2,13	,3750/,3790	575	18400
QR1122.I37-400-C	3/8	4,00	4130 Steel	,3735	,3720	0,440	0,56	0,29	0,365	1,37	0,87	2,13	,3750/,3790	575	18400
QR1122.I50-100-C	1/2	1,00	4130 Steel	,4985	,4970	0,594	0,72	0,42	0,460	1,60	1,00	2,37	,5000/,5050	1160	32800
QR1122.I50-125-C	1/2	1,25	4130 Steel	,4985	,4970	0,594	0,72	0,42	0,460	1,60	1,00	2,37	,5000/,5050	1160	32800
QR1122.I50-150-C	1/2	1,50	4130 Steel	,4985	,4970	0,594	0,72	0,42	0,460	1,60	1,00	2,37	,5000/,5050	1160	32800
QR1122.I50-175-C	1/2	1,75	4130 Steel	,4985	,4970	0,594	0,72	0,42	0,460	1,60	1,00	2,37	,5000/,5050	1160	32800
QR1122.I50-200-C	1/2	2,00	4130 Steel	,4985	,4970	0,594	0,72	0,42	0,460	1,60	1,00	2,37	,5000/,5050	1160	32800
QR1122.I50-250-C	1/2	2,50	4130 Steel	,4985	,4970	0,594	0,72	0,42	0,460	1,60	1,00	2,37	,5000/,5050	1160	32800
QR1122.I50-300-C	1/2	3,00	4130 Steel	,4985	,4970	0,594	0,72	0,42	0,460	1,60	1,00	2,37	,5000/,5050	1160	32800
QR1122.I50-350-C	1/2	3,50	4130 Steel	,4985	,4970	0,594	0,72	0,42	0,460	1,60	1,00	2,37	,5000/,5050	1160	32800
QR1122.I50-400-C	1/2	4,00	4130 Steel	,4985	,4970	0,594	0,72	0,42	0,460	1,60	1,00	2,37	,5000/,5050	1160	32800
QR1122.I50-450-C	1/2	4,50	4130 Steel	,4985	,4970	0,594	0,72	0,42	0,460	1,60	1,00	2,37	,5000/,5050	1160	32800
QR1122.I50-500-C	1/2	5,00	4130 Steel	,4985	,4970	0,594	0,72	0,42	0,460	1,60	1,00	2,37	,5000/,5050	1160	32800
QR1122.I50-550-C	1/2	5,50	4130 Steel	,4985	,4970	0,594	0,72	0,42	0,460	1,60	1,00	2,37	,5000/,5050	1160	32800
QR1122.I50-600-C	1/2	6,00	4130 Steel	,4985	,4970	0,594	0,72	0,42	0,460	1,60	1,00	2,37	,5000/,5050	1160	32800
QR1122.I62-150-C	5/8	1,50	4130 Steel	,6235	,6235	0,750	0,94	0,54	0,580	1,77	1,11	2,69	,6250/,6300	2070	51200
QR1122.I62-175-C	5/8	1,75	4130 Steel	,6235	,6235	0,750	0,94	0,54	0,580	1,77	1,11	2,69	,6250/,6300	2070	51200
QR1122.I62-200-C	5/8	2,00	4130 Steel	,6235	,6235	0,750	0,94	0,54	0,580	1,77	1,11	2,69	,6250/,6300	2070	51200
QR1122.I62-250-C	5/8	2,50	4130 Steel	,6235	,6235	0,750	0,94	0,54	0,580	1,77	1,11	2,69	,6250/,6300	2070	51200
QR1122.I62-300-C	5/8	3,00	4130 Steel	,6235	,6235	0,750	0,94	0,54	0,580	1,77	1,11	2,69	,6250/,6300	2070	51200
QR1122.I62-350-C	5/8	3,50	4130 Steel	,6235	,6235	0,750	0,94	0,54	0,580	1,77	1,11	2,69	,6250/,6300	2070	51200
QR1122.I62-400-C	5/8	4,00	4130 Steel	,6235	,6235	0,750	0,94	0,54	0,580	1,77	1,11	2,69	,6250/,6300	2070	51200
QR1122.I62-450-C	5/8	4,50	4130 Steel	,6235	,6235	0,750	0,94	0,54	0,580	1,77	1,11	2,69	,6250/,6300	2070	51200
QR1122.I62-500-C	5/8	5,00	4130 Steel	,6235	,6235	0,750	0,94	0,54	0,580	1,77	1,11	2,69	,6250/,6300	2070	51200
QR1122.I62-550-C	5/8	5,50	4130 Steel	,6235	,6235	0,750	0,94	0,54	0,580	1,77	1,11	2,69	,6250/,6300	2070	51200
QR1122.I62-600-C	5/8	6,00	4130 Steel	,6235	,6235	0,750	0,94	0,54	0,580	1,77	1,11	2,69	,6250/,6300	2070	51200

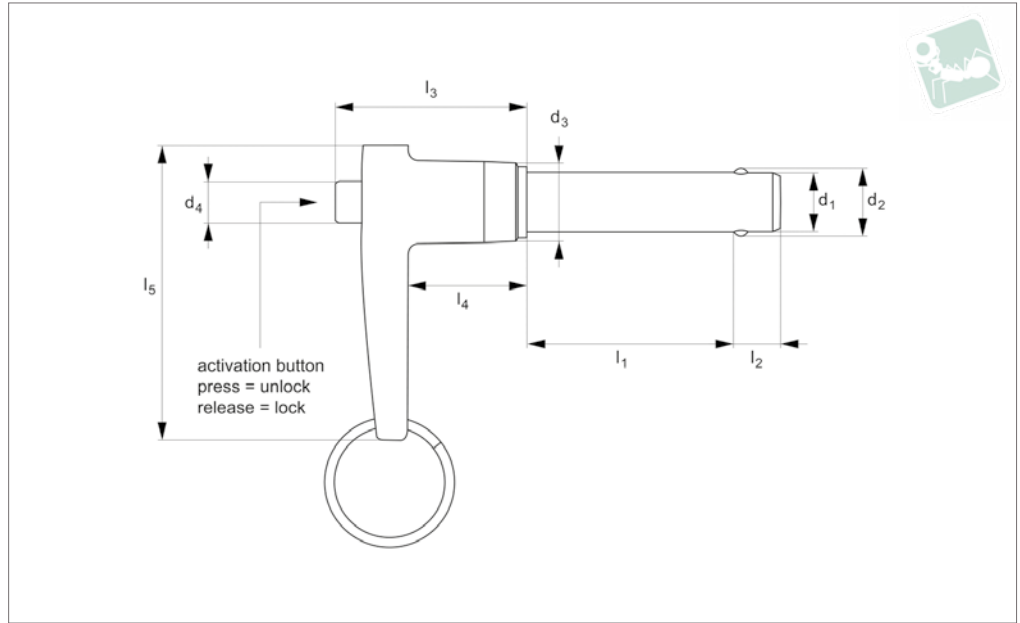
QUICK RELEASE PINS

Quick Release Pins

Quick Release Pins - Inch - L-handle stainless pin



QR1124



QUICK RELEASE PINS

Material

Pin: stainless steel, AISI 304 (DIN 1.4301) or AISI 303 (DIN 1.4305), passivated.
Tensile strength 500 N/mm² min. RoHS compliant.
Handle: Alu. 380 die cast (DIN AlSi9Cu3), black anodised (RAL 9003).
Actuator button: Alu. 2024-T4 (DIN AlCuMg2), anodised blue or clear.

Internal spindle, balls and split ring (supplied); from stainless steel.

Technical Notes

Pressing = unlocking.
Releasing = locking.
Temperature range -30°C to +150°C
Supplied with split ring.

Tips

For quick fastening and locking frequently repeated connections.
For lanyards & retaining cables see part nos. L to LA1224. For easy install locating bushes and end caps see part nos. LA1260 to LA1355.

Order No.	d ₁ nom.	l ₁ grip +0.02 - 0.00	Material	d ₁ max.	d ₁ min.	d ₂ ±0.005	d ₃	d ₄	l ₂ +0.000 - -0.030	l ₃	l ₄	l ₅	Loc'n hole min. max.	Pull out strength lb min.	Calc. double shear lb
QR1124.I25-050-S	1/4	0,50	304 SS	,2485	,2470	0,289	0,47	0,23	0,290	1,21	0,76	1,84	,2500/,2540	230	2200
QR1124.I25-075-S	1/4	0,75	304 SS	,2485	,2470	0,289	0,47	0,23	0,290	1,21	0,76	1,84	,2500/,2540	230	2200
QR1124.I25-100-S	1/4	1,00	304 SS	,2485	,2470	0,289	0,47	0,23	0,290	1,21	0,76	1,84	,2500/,2540	230	2200
QR1124.I25-125-S	1/4	1,25	304 SS	,2485	,2470	0,289	0,47	0,23	0,290	1,21	0,76	1,84	,2500/,2540	230	2200
QR1124.I25-150-S	1/4	1,50	304 SS	,2485	,2470	0,289	0,47	0,23	0,290	1,21	0,76	1,84	,2500/,2540	230	2200
QR1124.I25-175-S	1/4	1,75	304 SS	,2485	,2470	0,289	0,47	0,23	0,290	1,21	0,76	1,84	,2500/,2540	230	2200
QR1124.I25-200-S	1/4	2,00	304 SS	,2485	,2470	0,289	0,47	0,23	0,290	1,21	0,76	1,84	,2500/,2540	230	2200
QR1124.I25-250-S	1/4	2,50	304 SS	,2485	,2470	0,289	0,47	0,23	0,290	1,21	0,76	1,84	,2500/,2540	230	2200
QR1124.I25-300-S	1/4	3,00	304 SS	,2485	,2470	0,289	0,47	0,23	0,290	1,21	0,76	1,84	,2500/,2540	230	2200
QR1124.I25-350-S	1/4	3,50	304 SS	,2485	,2470	0,289	0,47	0,23	0,290	1,21	0,76	1,84	,2500/,2540	230	2200
QR1124.I25-400-S	1/4	4,00	304 SS	,2485	,2470	0,289	0,47	0,23	0,290	1,21	0,76	1,84	,2500/,2540	230	2200
QR1124.I31-050-S	5/16	0,50	304 SS	,3110	,3095	0,375	0,47	0,23	0,330	1,21	0,76	1,84	,3125/,3165	510	3500
QR1124.I31-075-S	5/16	0,75	304 SS	,3110	,3095	0,375	0,47	0,23	0,330	1,21	0,76	1,84	,3125/,3165	510	3500
QR1124.I31-100-S	5/16	1,00	304 SS	,3110	,3095	0,375	0,47	0,23	0,330	1,21	0,76	1,84	,3125/,3165	510	3500
QR1124.I31-125-S	5/16	1,25	304 SS	,3110	,3095	0,375	0,47	0,23	0,330	1,21	0,76	1,84	,3125/,3165	510	3500
QR1124.I31-150-S	5/16	1,50	304 SS	,3110	,3095	0,375	0,47	0,23	0,330	1,21	0,76	1,84	,3125/,3165	510	3500
QR1124.I31-175-S	5/16	1,75	304 SS	,3110	,3095	0,375	0,47	0,23	0,330	1,21	0,76	1,84	,3125/,3165	510	3500
QR1124.I31-200-S	5/16	2,00	304 SS	,3110	,3095	0,375	0,47	0,23	0,330	1,21	0,76	1,84	,3125/,3165	510	3500
QR1124.I31-250-S	5/16	2,50	304 SS	,3110	,3095	0,375	0,47	0,23	0,330	1,21	0,76	1,84	,3125/,3165	510	3500
QR1124.I31-300-S	5/16	3,00	304 SS	,3110	,3095	0,375	0,47	0,23	0,330	1,21	0,76	1,84	,3125/,3165	510	3500
QR1124.I31-350-S	5/16	3,50	304 SS	,3110	,3095	0,375	0,47	0,23	0,330	1,21	0,76	1,84	,3125/,3165	510	3500
QR1124.I31-400-S	5/16	4,00	304 SS	,3110	,3095	0,375	0,47	0,23	0,330	1,21	0,76	1,84	,3125/,3165	510	3500
QR1124.I37-050-S	3/8	0,50	304 SS	,3735	,3720	0,440	0,56	0,29	0,365	1,37	0,87	2,13	,3750/,3790	575	4500
QR1124.I37-075-S	3/8	0,75	304 SS	,3735	,3720	0,440	0,56	0,29	0,365	1,37	0,87	2,13	,3750/,3790	575	4500
QR1124.I37-100-S	3/8	1,00	304 SS	,3735	,3720	0,440	0,56	0,29	0,365	1,37	0,87	2,13	,3750/,3790	575	4500
QR1124.I37-125-S	3/8	1,25	304 SS	,3735	,3720	0,440	0,56	0,29	0,365	1,37	0,87	2,13	,3750/,3790	575	4500



Quick Release Pins - Inch - L-handle stainless pin

Quick Release Pins

Order No.	d ₁ nom.	l ₁ grip +0.02 - 0.00	Material	d ₁ max.	d ₁ min.	d ₂ ±0.005	d ₃	d ₄	l ₂ +0.000 -0.030	l ₃	l ₄	l ₅	Loc'n hole min. max.	Pull out strength lb min.	Calc. double shear lb
QR1124.137-150-S	3/8	1,50	304 SS	,3735	,3720	0,440	0,56	0,29	0,365	1,37	0,87	2,13	,3750/,3790	575	4500
QR1124.137-175-S	3/8	1,75	304 SS	,3735	,3720	0,440	0,56	0,29	0,365	1,37	0,87	2,13	,3750/,3790	575	4500
QR1124.137-200-S	3/8	2,00	304 SS	,3735	,3720	0,440	0,56	0,29	0,365	1,37	0,87	2,13	,3750/,3790	575	4500
QR1124.137-250-S	3/8	2,50	304 SS	,3735	,3720	0,440	0,56	0,29	0,365	1,37	0,87	2,13	,3750/,3790	575	4500
QR1124.137-300-S	3/8	3,00	304 SS	,3735	,3720	0,440	0,56	0,29	0,365	1,37	0,87	2,13	,3750/,3790	575	4500
QR1124.137-350-S	3/8	3,50	304 SS	,3735	,3720	0,440	0,56	0,29	0,365	1,37	0,87	2,13	,3750/,3790	575	4500
QR1124.137-400-S	3/8	4,00	304 SS	,3735	,3720	0,440	0,56	0,29	0,365	1,37	0,87	2,13	,3750/,3790	575	4500
QR1124.150-100-S	1/2	1,00	304 SS	,4985	,4970	0,594	0,72	0,42	0,460	1,60	1,00	2,69	,5000/,5050	1160	11500
QR1124.150-125-S	1/2	1,25	304 SS	,4985	,4970	0,594	0,72	0,42	0,460	1,60	1,00	2,69	,5000/,5050	1160	11500
QR1124.150-150-S	1/2	1,50	304 SS	,4985	,4970	0,594	0,72	0,42	0,460	1,60	1,00	2,69	,5000/,5050	1160	11500
QR1124.150-175-S	1/2	1,75	304 SS	,4985	,4970	0,594	0,72	0,42	0,460	1,60	1,00	2,69	,5000/,5050	1160	11500
QR1124.150-200-S	1/2	2,00	304 SS	,4985	,4970	0,594	0,72	0,42	0,460	1,60	1,00	2,69	,5000/,5050	1160	11500
QR1124.150-250-S	1/2	2,50	304 SS	,4985	,4970	0,594	0,72	0,42	0,460	1,60	1,00	2,69	,5000/,5050	1160	11500
QR1124.150-300-S	1/2	3,00	304 SS	,4985	,4970	0,594	0,72	0,42	0,460	1,60	1,00	2,69	,5000/,5050	1160	11500
QR1124.150-350-S	1/2	3,50	304 SS	,4985	,4970	0,594	0,72	0,42	0,460	1,60	1,00	2,69	,5000/,5050	1160	11500
QR1124.150-400-S	1/2	4,00	304 SS	,4985	,4970	0,594	0,72	0,42	0,460	1,60	1,00	2,69	,5000/,5050	1160	11500
QR1124.150-450-S	1/2	4,50	304 SS	,4985	,4970	0,594	0,72	0,42	0,460	1,60	1,00	2,69	,5000/,5050	1160	11500
QR1124.150-500-S	1/2	5,00	304 SS	,4985	,4970	0,594	0,72	0,42	0,460	1,60	1,00	2,69	,5000/,5050	1160	11500
QR1124.150-550-S	1/2	5,50	304 SS	,4985	,4970	0,594	0,72	0,42	0,460	1,60	1,00	2,69	,5000/,5050	1160	11500
QR1124.150-600-S	1/2	6,00	304 SS	,4985	,4970	0,594	0,72	0,42	0,460	1,60	1,00	2,69	,5000/,5050	1160	11500

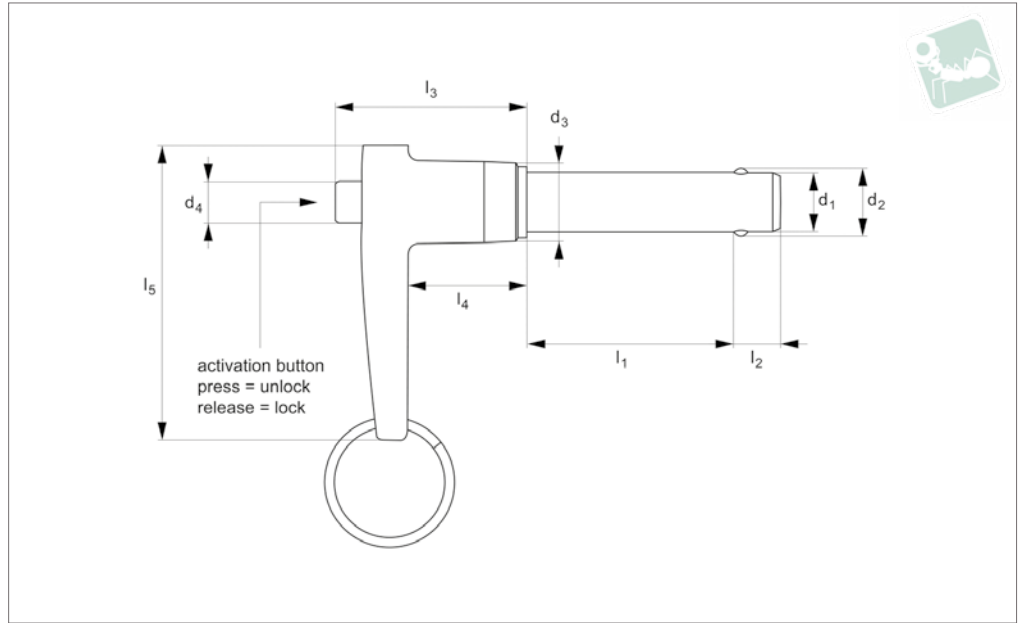
QUICK RELEASE PINS

Quick Release Pins

Quick Release Pins - Inch - L-handle precipitation hardened stainless pin



QR1126



QUICK RELEASE PINS

Material

Pin: stainless steel 17-4PH (DIN 1.4542, AISI 630), precipitation hardened, passivated. Tensile strength 1,300 N/mm² min. HRC 40. RoHS compliant.
 Handle: Alu. 380 die cast (DIN AlSi9Cu3), black anodised (RAL 9003).
 Actuator button: Alu. 2024-T4 (DIN AlCuMg2), anodised blue or clear.

Internal spindle, balls and split ring (supplied); from stainless steel.

Technical Notes

Pressing = unlocking.
 Releasing = locking.
 Temperature range -30°C to +150°C
Supplied with split ring.

Tips

For quick fastening and locking frequently repeated connections.
 For lanyards & retaining cables see part nos. L to LA1224. For easy install locating bushes and end caps see part nos. LA1260 to LA1355.

Order No.	d ₁ nom.	l ₁ grip +0.02 - 0.00	Material	d ₁ max.	d ₁ min.	d ₂ ±0.005	d ₃	d ₄	l ₂ +0.000 - -0.030	l ₃	l ₄	l ₅	Loc'n hole min. max.	Pull out strength lb min.	Calc. double shear lb
QR1126.I18-050-T	3/16	0,50	17-4 PH	,1885	,1870	0,220	0,47	0,23	0,260	1,21	0,76	1,84	,1900/,1940	200	5150
QR1126.I18-075-T	3/16	0,75	17-4 PH	,1885	,1870	0,220	0,47	0,23	0,260	1,21	0,76	1,84	,1900/,1940	200	5150
QR1126.I18-100-T	3/16	1,00	17-4 PH	,1885	,1870	0,220	0,47	0,23	0,260	1,21	0,76	1,84	,1900/,1940	200	5150
QR1126.I18-125-T	3/16	1,25	17-4 PH	,1885	,1870	0,220	0,47	0,23	0,260	1,21	0,76	1,84	,1900/,1940	200	5150
QR1126.I18-150-T	3/16	1,50	17-4 PH	,1885	,1870	0,220	0,47	0,23	0,260	1,21	0,76	1,84	,1900/,1940	200	5150
QR1126.I18-175-T	3/16	1,75	17-4 PH	,1885	,1870	0,220	0,47	0,23	0,260	1,21	0,76	1,84	,1900/,1940	200	5150
QR1126.I18-200-T	3/16	2,00	17-4 PH	,1885	,1870	0,220	0,47	0,23	0,260	1,21	0,76	1,84	,1900/,1940	200	5150
QR1126.I18-250-T	3/16	2,50	17-4 PH	,1885	,1870	0,220	0,47	0,23	0,260	1,21	0,76	1,84	,1900/,1940	200	5150
QR1126.I18-300-T	3/16	3,00	17-4 PH	,1885	,1870	0,220	0,47	0,23	0,260	1,21	0,76	1,84	,1900/,1940	200	5150
QR1126.I18-350-T	3/16	3,50	17-4 PH	,1885	,1870	0,220	0,47	0,23	0,260	1,21	0,76	1,84	,1900/,1940	200	5150
QR1126.I18-400-T	3/16	4,00	17-4 PH	,1885	,1870	0,220	0,47	0,23	0,260	1,21	0,76	1,84	,1900/,1940	200	5150
QR1126.I25-050-T	1/4	0,50	17-4 PH	,2485	,2470	0,289	0,47	0,23	0,290	1,21	0,76	1,84	,2500/,2540	230	9200
QR1126.I25-075-T	1/4	0,75	17-4 PH	,2485	,2470	0,289	0,47	0,23	0,290	1,21	0,76	1,84	,2500/,2540	230	9200
QR1126.I25-100-T	1/4	1,00	17-4 PH	,2485	,2470	0,289	0,47	0,23	0,290	1,21	0,76	1,84	,2500/,2540	230	9200
QR1126.I25-125-T	1/4	1,25	17-4 PH	,2485	,2470	0,289	0,47	0,23	0,290	1,21	0,76	1,84	,2500/,2540	230	9200
QR1126.I25-150-T	1/4	1,50	17-4 PH	,2485	,2470	0,289	0,47	0,23	0,290	1,21	0,76	1,84	,2500/,2540	230	9200
QR1126.I25-175-T	1/4	1,75	17-4 PH	,2485	,2470	0,289	0,47	0,23	0,290	1,21	0,76	1,84	,2500/,2540	230	9200
QR1126.I25-200-T	1/4	2,00	17-4 PH	,2485	,2470	0,289	0,47	0,23	0,290	1,21	0,76	1,84	,2500/,2540	230	9200
QR1126.I25-250-T	1/4	2,50	17-4 PH	,2485	,2470	0,289	0,47	0,23	0,290	1,21	0,76	1,84	,2500/,2540	230	9200
QR1126.I25-300-T	1/4	3,00	17-4 PH	,2485	,2470	0,289	0,47	0,23	0,290	1,21	0,76	1,84	,2500/,2540	230	9200
QR1126.I25-350-T	1/4	3,50	17-4 PH	,2485	,2470	0,289	0,47	0,23	0,290	1,21	0,76	1,84	,2500/,2540	230	9200
QR1126.I25-400-T	1/4	4,00	17-4 PH	,2485	,2470	0,289	0,47	0,23	0,290	1,21	0,76	1,84	,2500/,2540	230	9200
QR1126.I31-050-T	5/16	0,50	17-4 PH	,3110	,3095	0,375	0,47	0,23	0,330	1,21	0,76	1,84	,3125/,3165	510	14400
QR1126.I31-075-T	5/16	0,75	17-4 PH	,3110	,3095	0,375	0,47	0,23	0,330	1,21	0,76	1,84	,3125/,3165	510	14400
QR1126.I31-100-T	5/16	1,00	17-4 PH	,3110	,3095	0,375	0,47	0,23	0,330	1,21	0,76	1,84	,3125/,3165	510	14400
QR1126.I31-125-T	5/16	1,25	17-4 PH	,3110	,3095	0,375	0,47	0,23	0,330	1,21	0,76	1,84	,3125/,3165	510	14400



Quick Release Pins - Inch - L-handle

precipitation hardened stainless pin

Quick Release Pins

Order No.	d ₁ nom.	l ₁ grip +0.02 - 0.00	Material	d ₁ max.	d ₁ min.	d ₂ ±0.005	d ₃	d ₄	l ₂ +0.000 -0.030	l ₃	l ₄	l ₅	Loc'n hole min. max.	Pull out strength lb min.	Calc. double shear lb
QR1126.I31-150-T	5/16	1,50	17-4 PH	,3110	,3095	0,375	0,47	0,23	0,330	1,21	0,76	1,84	,3125/,3165	510	14400
QR1126.I31-175-T	5/16	1,75	17-4 PH	,3110	,3095	0,375	0,47	0,23	0,330	1,21	0,76	1,84	,3125/,3165	510	14400
QR1126.I31-200-T	5/16	2,00	17-4 PH	,3110	,3095	0,375	0,47	0,23	0,330	1,21	0,76	1,84	,3125/,3165	510	14400
QR1126.I31-250-T	5/16	2,50	17-4 PH	,3110	,3095	0,375	0,47	0,23	0,330	1,21	0,76	1,84	,3125/,3165	510	14400
QR1126.I31-300-T	5/16	3,00	17-4 PH	,3110	,3095	0,375	0,47	0,23	0,330	1,21	0,76	1,84	,3125/,3165	510	14400
QR1126.I31-350-T	5/16	3,50	17-4 PH	,3110	,3095	0,375	0,47	0,23	0,330	1,21	0,76	1,84	,3125/,3165	510	14400
QR1126.I31-400-T	5/16	4,00	17-4 PH	,3110	,3095	0,375	0,47	0,23	0,330	1,21	0,76	1,84	,3125/,3165	510	14400
QR1126.I37-050-T	3/8	0,50	17-4 PH	,3735	,3720	0,440	0,56	0,29	0,365	1,37	0,87	2,13	,3750/,3790	575	20600
QR1126.I37-075-T	3/8	0,75	17-4 PH	,3735	,3720	0,440	0,56	0,29	0,365	1,37	0,87	2,13	,3750/,3790	575	20600
QR1126.I37-100-T	3/8	1,00	17-4 PH	,3735	,3720	0,440	0,56	0,29	0,365	1,37	0,87	2,13	,3750/,3790	575	20600
QR1126.I37-125-T	3/8	1,25	17-4 PH	,3735	,3720	0,440	0,56	0,29	0,365	1,37	0,87	2,13	,3750/,3790	575	20600
QR1126.I37-150-T	3/8	1,50	17-4 PH	,3735	,3720	0,440	0,56	0,29	0,365	1,37	0,87	2,13	,3750/,3790	575	20600
QR1126.I37-175-T	3/8	1,75	17-4 PH	,3735	,3720	0,440	0,56	0,29	0,365	1,37	0,87	2,13	,3750/,3790	575	20600
QR1126.I37-200-T	3/8	2,00	17-4 PH	,3735	,3720	0,440	0,56	0,29	0,365	1,37	0,87	2,13	,3750/,3790	575	20600
QR1126.I37-250-T	3/8	2,50	17-4 PH	,3735	,3720	0,440	0,56	0,29	0,365	1,37	0,87	2,13	,3750/,3790	575	20600
QR1126.I37-300-T	3/8	3,00	17-4 PH	,3735	,3720	0,440	0,56	0,29	0,365	1,37	0,87	2,13	,3750/,3790	575	20600
QR1126.I37-350-T	3/8	3,50	17-4 PH	,3735	,3720	0,440	0,56	0,29	0,365	1,37	0,87	2,13	,3750/,3790	575	20600
QR1126.I37-400-T	3/8	4,00	17-4 PH	,3735	,3720	0,440	0,56	0,29	0,365	1,37	0,87	2,13	,3750/,3790	575	20600
QR1126.I50-100-T	1/2	1,00	17-4 PH	,4985	,4970	0,594	0,72	0,42	0,460	1,60	1,00	2,37	,5000/,5050	1160	36800
QR1126.I50-125-T	1/2	1,25	17-4 PH	,4985	,4970	0,594	0,72	0,42	0,460	1,60	1,00	2,37	,5000/,5050	1160	36800
QR1126.I50-150-T	1/2	1,50	17-4 PH	,4985	,4970	0,594	0,72	0,42	0,460	1,60	1,00	2,37	,5000/,5050	1160	36800
QR1126.I50-175-T	1/2	1,75	17-4 PH	,4985	,4970	0,594	0,72	0,42	0,460	1,60	1,00	2,37	,5000/,5050	1160	36800
QR1126.I50-200-T	1/2	2,00	17-4 PH	,4985	,4970	0,594	0,72	0,42	0,460	1,60	1,00	2,37	,5000/,5050	1160	36800
QR1126.I50-250-T	1/2	2,50	17-4 PH	,4985	,4970	0,594	0,72	0,42	0,460	1,60	1,00	2,37	,5000/,5050	1160	36800
QR1126.I50-300-T	1/2	3,00	17-4 PH	,4985	,4970	0,594	0,72	0,42	0,460	1,60	1,00	2,37	,5000/,5050	1160	36800
QR1126.I50-350-T	1/2	3,50	17-4 PH	,4985	,4970	0,594	0,72	0,42	0,460	1,60	1,00	2,37	,5000/,5050	1160	36800
QR1126.I50-400-T	1/2	4,00	17-4 PH	,4985	,4970	0,594	0,72	0,42	0,460	1,60	1,00	2,37	,5000/,5050	1160	36800
QR1126.I50-450-T	1/2	4,50	17-4 PH	,4985	,4970	0,594	0,72	0,42	0,460	1,60	1,00	2,37	,5000/,5050	1160	36800
QR1126.I50-500-T	1/2	5,00	17-4 PH	,4985	,4970	0,594	0,72	0,42	0,460	1,60	1,00	2,37	,5000/,5050	1160	36800
QR1126.I50-550-T	1/2	5,50	17-4 PH	,4985	,4970	0,594	0,72	0,42	0,460	1,60	1,00	2,37	,5000/,5050	1160	36800
QR1126.I50-600-T	1/2	6,00	17-4 PH	,4985	,4970	0,594	0,72	0,42	0,460	1,60	1,00	2,37	,5000/,5050	1160	36800
QR1126.I62-150-T	5/8	1,50	17-4 PH	,6235	,6220	0,750	0,94	0,54	0,580	1,77	1,11	2,69	,6250/,6300	2070	57500
QR1126.I62-175-T	5/8	1,75	17-4 PH	,6235	,6220	0,750	0,94	0,54	0,580	1,77	1,11	2,69	,6250/,6300	2070	57500
QR1126.I62-200-T	5/8	2,00	17-4 PH	,6235	,6220	0,750	0,94	0,54	0,580	1,77	1,11	2,69	,6250/,6300	2070	57500
QR1126.I62-250-T	5/8	2,50	17-4 PH	,6235	,6220	0,750	0,94	0,54	0,580	1,77	1,11	2,69	,6250/,6300	2070	57500
QR1126.I62-300-T	5/8	3,00	17-4 PH	,6235	,6220	0,750	0,94	0,54	0,580	1,77	1,11	2,69	,6250/,6300	2070	57500
QR1126.I62-350-T	5/8	3,50	17-4 PH	,6235	,6220	0,750	0,94	0,54	0,580	1,77	1,11	2,69	,6250/,6300	2070	57500
QR1126.I62-400-T	5/8	4,00	17-4 PH	,6235	,6220	0,750	0,94	0,54	0,580	1,77	1,11	2,69	,6250/,6300	2070	57500
QR1126.I62-450-T	5/8	4,50	17-4 PH	,6235	,6220	0,750	0,94	0,54	0,580	1,77	1,11	2,69	,6250/,6300	2070	57500
QR1126.I62-500-T	5/8	5,00	17-4 PH	,6235	,6220	0,750	0,94	0,54	0,580	1,77	1,11	2,69	,6250/,6300	2070	57500
QR1126.I62-550-T	5/8	5,50	17-4 PH	,6235	,6220	0,750	0,94	0,54	0,580	1,77	1,11	2,69	,6250/,6300	2070	57500
QR1126.I62-600-T	5/8	6,00	17-4 PH	,6235	,6220	0,750	0,94	0,54	0,580	1,77	1,11	2,69	,6250/,6300	2070	57500

QUICK RELEASE PINS

Quick Release Pins

Ball Lock Pins - Mushroom Handle

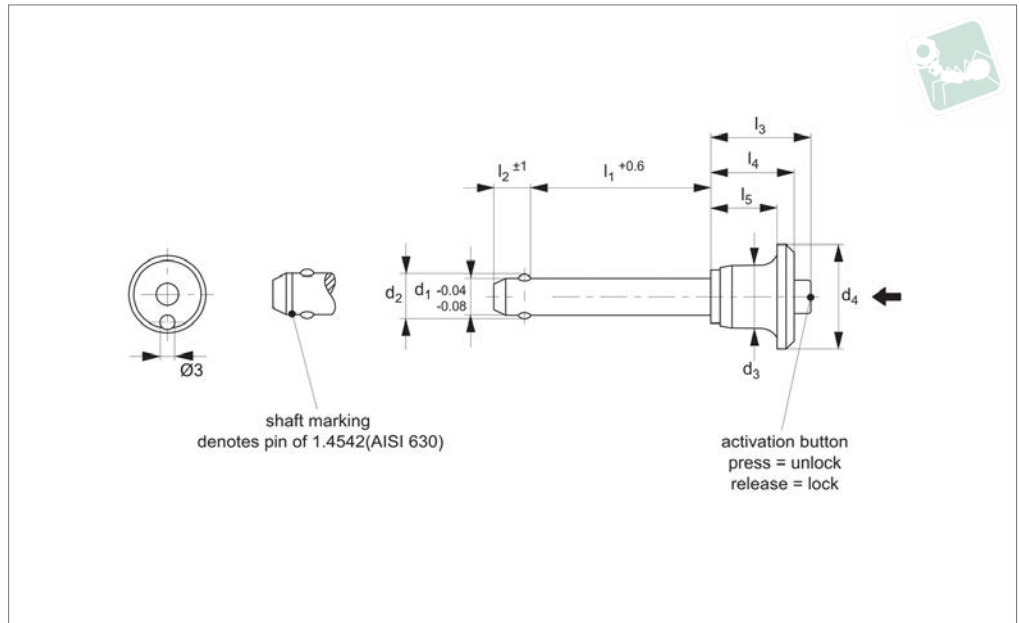
single acting - self-locking - stainless 1.4305



QUICK RELEASE PINS



QR1204



Material

Pin: Stainless steel 1.4305 (AISI 303).
 Ball: stainless steel 1.3541
 Spring: stainless steel.
 Handle: aluminium, black (RAL9003).

Releasing = locking.

Temperature resistance -30°C to +150°C
 For quick fastening and locking of frequently repeated connections.

available see part no. LA1310.

Important Notes

*Shearing resistance similar to DIN 50141.

Technical Notes

Pressing = unlocking.

Tips

For lanyards & retaining cables see part no. LA1066. Easy install locating bushes

Order No.	Stainless type	d ₁	d ₂	d ₃	d ₄	l ₁	l ₂	l ₃	l ₄	l ₅	Location hole	Shearing resistance, double	Weight
												kN	g
QR1204.M05-010-S	Stainless 1.4305	5	5.5	11.3	20	10	6.0	20.7	17.6	14.6	5	14	12
QR1204.M05-015-S	Stainless 1.4305	5	5.5	11.3	20	15	6.0	20.7	17.6	14.6	5	14	12
QR1204.M05-020-S	Stainless 1.4305	5	5.5	11.3	20	20	6.0	20.7	17.6	14.6	5	14	13
QR1204.M05-025-S	Stainless 1.4305	5	5.5	11.3	20	25	6.0	20.7	17.6	14.6	5	14	14
QR1204.M05-030-S	Stainless 1.4305	5	5.5	11.3	20	30	6.0	20.7	17.6	14.6	5	14	15
QR1204.M06-010-S	Stainless 1.4305	6	7.0	11.3	20	10	7.0	20.7	17.6	14.6	6	21	13
QR1204.M06-015-S	Stainless 1.4305	6	7.0	11.3	20	15	7.0	20.7	17.6	14.6	6	21	14
QR1204.M06-020-S	Stainless 1.4305	6	7.0	11.3	20	20	7.0	20.7	17.6	14.6	6	21	15
QR1204.M06-025-S	Stainless 1.4305	6	7.0	11.3	20	25	7.0	20.7	17.6	14.6	6	21	16
QR1204.M06-030-S	Stainless 1.4305	6	7.0	11.3	20	30	7.0	20.7	17.6	14.6	6	21	17
QR1204.M06-035-S	Stainless 1.4305	6	7.0	11.3	20	35	7.0	20.7	17.6	14.6	6	21	18
QR1204.M06-040-S	Stainless 1.4305	6	7.0	11.3	20	40	7.0	20.7	17.6	14.6	6	21	19
QR1204.M06-045-S	Stainless 1.4305	6	7.0	11.3	20	45	7.0	20.7	17.6	14.6	6	21	20
QR1204.M06-050-S	Stainless 1.4305	6	7.0	11.3	20	50	7.0	20.7	17.6	14.6	6	21	21



Ball Lock Pins - Mushroom Handle

single acting - self-locking - stainless 1.4305

Quick Release Pins

Order No.	Stainless type	d ₁	d ₂	d ₃	d ₄	l ₁	l ₂	l ₃	l ₄	l ₅	Location hole	Shearing resistance, double	Weight
												kN	g
QR1204.M08-020-S	Stainless 1.4305	8	9.5	14.1	25	20	8.2	27.3	22.6	18.6	8	38	28
QR1204.M08-025-S	Stainless 1.4305	8	9.5	14.1	25	25	8.2	27.3	22.6	18.6	8	38	30
QR1204.M08-030-S	Stainless 1.4305	8	9.5	14.1	25	30	8.2	27.3	22.6	18.6	8	38	32
QR1204.M08-035-S	Stainless 1.4305	8	9.5	14.1	25	35	8.2	27.3	22.6	18.6	8	38	34
QR1204.M08-040-S	Stainless 1.4305	8	9.5	14.1	25	40	8.2	27.3	22.6	18.6	8	38	36
QR1204.M08-045-S	Stainless 1.4305	8	9.5	14.1	25	45	8.2	27.3	22.6	18.6	8	38	38
QR1204.M08-050-S	Stainless 1.4305	8	9.5	14.1	25	50	8.2	27.3	22.6	18.6	8	38	40
QR1204.M10-020-S	Stainless 1.4305	10	12.0	14.1	25	20	9.6	27.3	22.6	18.6	10	60	35
QR1204.M10-025-S	Stainless 1.4305	10	12.0	14.1	25	25	9.6	27.3	22.6	18.6	10	60	38
QR1204.M10-030-S	Stainless 1.4305	10	12.0	14.1	25	30	9.6	27.3	22.6	18.6	10	60	40
QR1204.M10-035-S	Stainless 1.4305	10	12.0	14.1	25	35	9.6	27.3	22.6	18.6	10	60	44
QR1204.M10-040-S	Stainless 1.4305	10	12.0	14.1	25	40	9.6	27.3	22.6	18.6	10	60	47
QR1204.M10-045-S	Stainless 1.4305	10	12.0	14.1	25	45	9.6	27.3	22.6	18.6	10	60	50
QR1204.M10-050-S	Stainless 1.4305	10	12.0	14.1	25	50	9.6	27.3	22.6	18.6	10	60	53
QR1204.M10-060-S	Stainless 1.4305	10	12.0	14.1	25	60	9.6	27.3	22.6	18.6	10	60	59
QR1204.M12-025-S	Stainless 1.4305	12	14.5	17.7	35	25	10.6	33.2	27.3	22.3	12	87	69
QR1204.M12-030-S	Stainless 1.4305	12	14.5	17.7	35	30	10.6	33.2	27.3	22.3	12	87	73
QR1204.M12-035-S	Stainless 1.4305	12	14.5	17.7	35	35	10.6	33.2	27.3	22.3	12	87	78
QR1204.M12-040-S	Stainless 1.4305	12	14.5	17.7	35	40	10.6	33.2	27.3	22.3	12	87	82
QR1204.M12-045-S	Stainless 1.4305	12	14.5	17.7	35	45	10.6	33.2	27.3	22.3	12	87	86
QR1204.M12-050-S	Stainless 1.4305	12	14.5	17.7	35	50	10.6	33.2	27.3	22.3	12	87	90
QR1204.M12-060-S	Stainless 1.4305	12	14.5	17.7	35	60	10.6	33.2	27.3	22.3	12	87	99
QR1204.M12-070-S	Stainless 1.4305	12	14.5	17.7	35	70	10.6	33.2	27.3	22.3	12	87	108

QUICK RELEASE PINS

Quick Release Pins

Ball Lock Pins - Mushroom Handle single acting - self-locking - stainless 1.4305



Order No.	Stainless type	d ₁	d ₂	d ₃	d ₄	l ₁	l ₂	l ₃	l ₄	l ₅	Location hole	Shearing resistance, double kN	Weight g
QR1204.M12-080-S	Stainless 1.4305	12	14.5	17.7	35	80	10.6	33.2	27.3	22.3	12	87	116

QUICK RELEASE PINS

