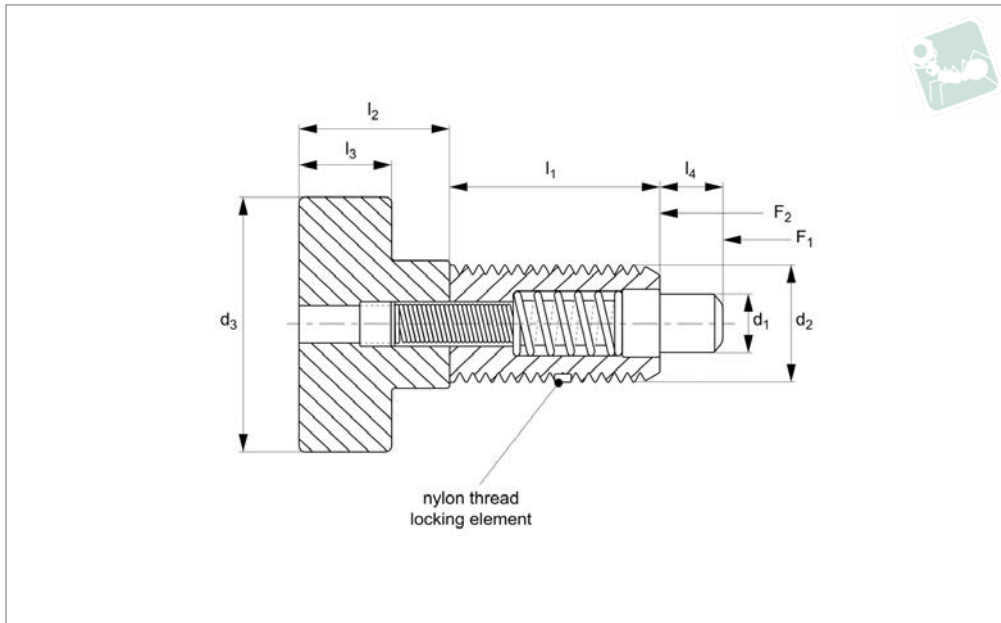




Spring Loaded Pin - Metric - Pull Grip

non-locking - metal grip

Spring Loaded Pins



SL1410

SPRING LOADED PINS

Material

Steel Type-

Body, Pin and Grip: steel 12L14, zinc plate yellow chromate finish.

Stainless Steel Type-

Body, Pin and Grip: 303 series stainless

steel.

Technical Notes

Spring loaded pin is non-locking, pin simply springs back when grip released. A nylon locking element on thread reduces chance of loosening of thread due to vibra-

tion etc.

Tips

Metal grip for more robust handling. For suitable locknut, see part no. SL1810.

Order No.	Material	d_1 +0.000 -0.001	d_2 tol. 6g	d_3	l_1	l_2	l_3	l_4	Spring force f_1 N	Spring force f_2 N
SL1410.M05-250-C	Steel	2.5	M 5 x 0,80	9	10	6	4	2	2.22	13.35
SL1410.M06-030-C	Steel	3.0	M 6 x 1,00	13	13	8	5	3	4.45	17.80
SL1410.M10-050-C	Steel	5.0	M10 x 1,50	19	19	13	8	6	4.45	35.60
SL1410.M12-060-C	Steel	6.0	M12 x 1,75	25	23	16	10	6	4.45	44.50
SL1410.M05-250-S	Stainless	2.5	M 5 x 0,80	9	10	6	4	2	2.22	13.35
SL1410.M06-030-S	Stainless	3.0	M 6 x 1,00	13	13	8	5	3	4.45	17.80
SL1410.M10-050-S	Stainless	5.0	M10 x 1,50	19	19	13	8	6	4.45	35.60
SL1410.M12-060-S	Stainless	6.0	M12 x 1,75	25	23	16	10	6	4.45	44.50

Spring Loaded Pins

Spring Loaded Pin - Inch - Pull Grip

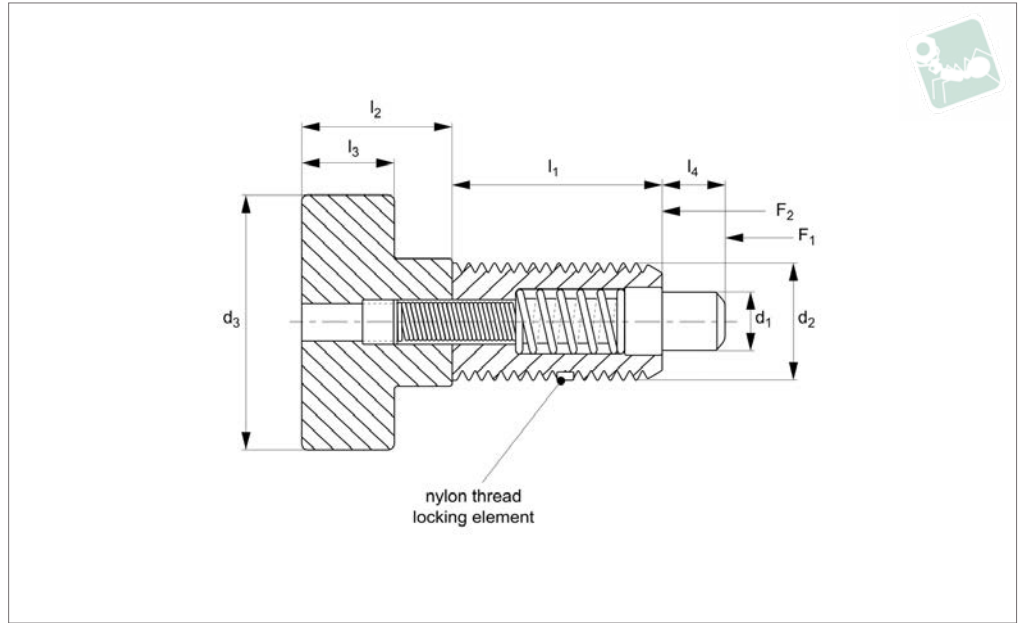
non-locking - metal grip



SPRING LOADED PINS



SL1416



Material

Steel Type-

Body, Pin and Grip: steel 12L14, zinc plate yellow chromate finish.

Stainless Steel Type-

Body: 300 series stainless steel.

Plunger: 300 series stainless steel.

Technical Notes

Spring loaded pin is non-locking, pin simply springs back when grip released. A nylon locking element on thread reduces chance of loosening of thread due to vibra-

tion etc.

Tips

Metal grip for more robust handling. For suitable locknut, see part no. SL1816.

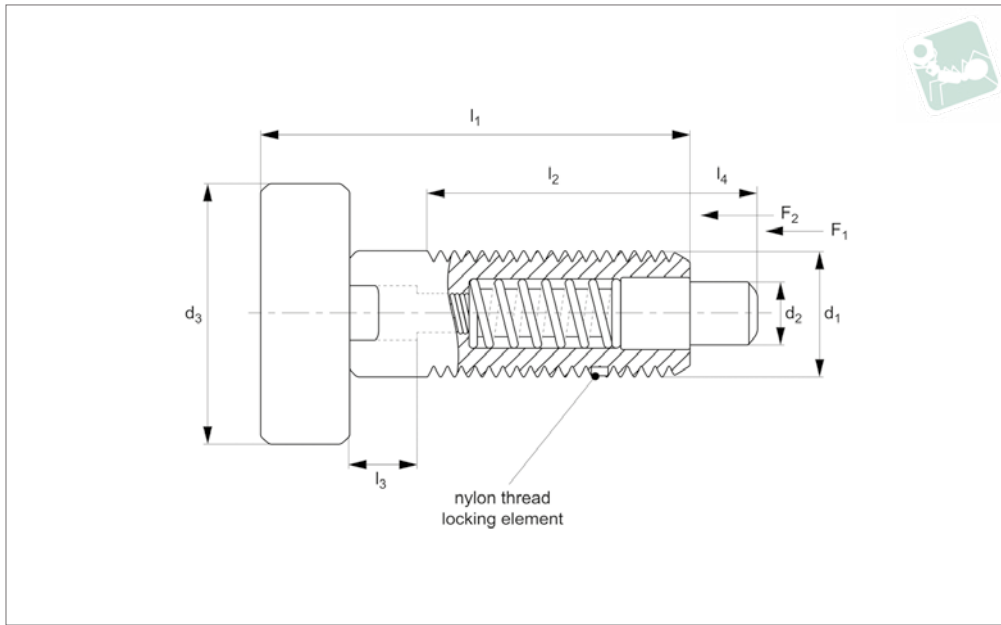
Order No.	Material	d_1 +0.000 -0.0254	d_2 UNC	d_3	l_1	l_2	l_3	l_4	Spring force f_1 lb	Spring force f_2 lb	Weight g
SL1416.I19-010-C	Steel	0.104	10-32	0.38	0.400	0.250	0.190	0.094	0.5	3.00	9
SL1416.I25-012-C	Steel	0.123	1/4-20	0.50	0.500	0.313	0.190	0.125	1.0	4.00	9
SL1416.I31-015-C	Steel	0.154	5/16-18	0.63	0.625	0.375	0.250	0.188	1.0	6.00	18
SL1416.I37-018-C	Steel	0.185	3/8-16	0.75	0.750	0.500	0.310	0.218	1.0	8.00	27
SL1416.I50-024-C	Steel	0.248	1/2-13	1.00	0.875	0.625	0.380	0.250	1.0	10.0	36
SL1416.I19-010-S	Stainless	0.104	10-32	0.38	0.400	0.250	0.190	0.094	0.5	3.00	9
SL1416.I25-012-S	Stainless	0.123	1/4-20	0.50	0.500	0.313	0.190	0.125	1.0	4.00	9
SL1416.I31-015-S	Stainless	0.154	5/16-18	0.63	0.625	0.375	0.250	0.188	1.0	6.00	18
SL1416.I37-018-S	Stainless	0.185	3/8-16	0.75	0.750	0.500	0.310	0.218	1.0	8.00	27
SL1416.I50-024-S	Stainless	0.248	1/2-13	1.00	0.875	0.625	0.380	0.250	1.0	10.0	36



Spring Loaded Pin - Inch - Pull Grip

locking - metal grip

Spring Loaded Pins



SL1418

SPRING LOADED PINS

Material

Steel Type-

Body, Pin and Grip: steel 12L14, zinc plate yellow chromate finish.

Stainless Steel Type-

Body, Pin and Grip: 300 series stainless steel.

Technical Notes

Spring loaded pin can be 'locked' to enable pin to be held in retracted/ non-projecting position. Pull back grip handle turn 90° to engage 'locking'.

A nylon locking element on thread reduces chance of loosening of thread due to vibra-

tion etc.

Tips

Metal grip for more robust handling. For suitable locknut, see part no. SL1816.

Order No.	Material	d ₁ +0.001 -0.001	d ₂ UNC	d ₃	l ₁	l ₂	l ₃	Spring force f ₁ lb	Spring force f ₂ lb	Weight g
SL1418.I25-012-C	Steel	0.12	1/4-20	0.50	0.80	0.400	0.125	0.50	2.0	9
SL1418.I37-018-C	Steel	0.18	3/8-16	0.75	1.26	0.750	0.220	0.50	3.0	27
SL1418.I50-024-C	Steel	0.24	1/2-13	1.00	1.38	0.650	0.250	0.50	4.0	36
SL1418.I25-012-S	Stainless	0.12	1/4-20	0.50	0.80	0.400	0.125	0.50	2.0	9
SL1418.I37-018-S	Stainless	0.18	3/8-16	0.75	1.26	0.750	0.220	0.50	3.0	27
SL1418.I50-024-S	Stainless	0.24	1/2-13	1.00	1.38	0.650	0.250	0.50	4.0	36

Spring Loaded Pins

Spring Loaded Pin - Inch - Pull Grip

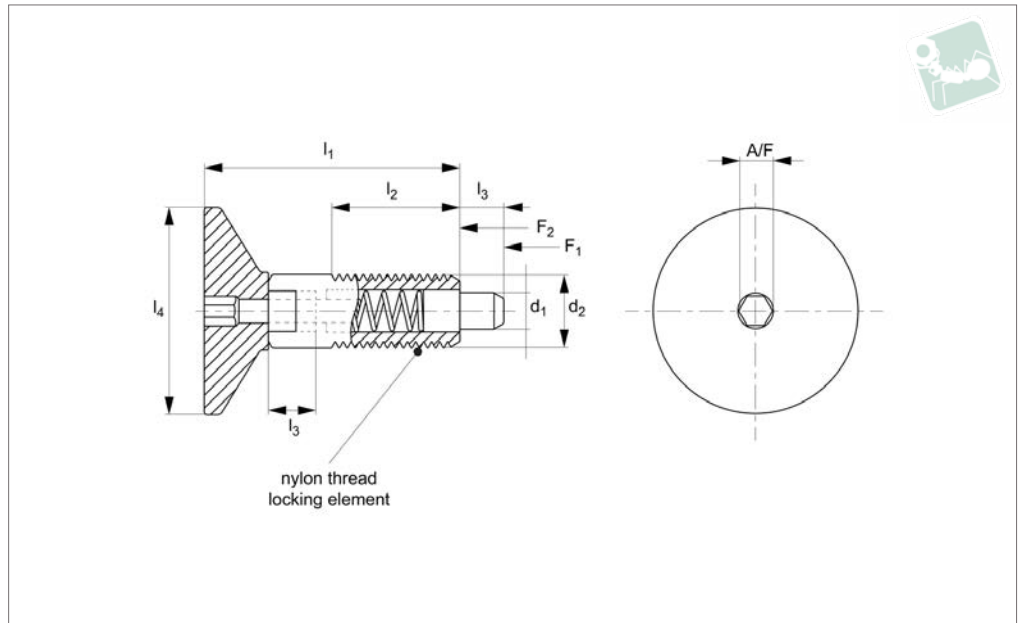
locking - metal grip



SPRING LOADED PINS



SL1419



Material

Body, Pin and Grip: Steel 12L14, zinc gold chromate finish.

Technical Notes

Spring loaded pin can be 'locked' to enable

pin to be held in retracted/ non-projecting position. Pull back grip handle turn 90° to engage 'locking'.

A nylon locking element on thread reduces chance of loosening of thread due to vibra-

tion etc.

Tips

Metal grip has recessed hex to improve ease of installation.

For suitable locknut, see part no. SL1816.

Order No.	Material	d ₁	d ₂ UNC	l ₁	l ₂	l ₃	l ₄	A/F	Spring force f ₁ lb	Spring force f ₂ lb
SL1419.I25-012-Z	Steel	0.123	1/4-20	0.805	0.40	0.125	0.750	0.125	1	4
SL1419.I31-015-Z	Steel	0.154	5/16-18	1.070	0.53	0.187	0.875	0.125	1	6
SL1419.I37-018-Z	Steel	0.185	3/8-16	1.260	0.75	0.220	1.000	0.218	1	8
SL1419.I50-024-Z	Steel	0.248	1/2-13	1.380	0.65	0.250	1.250	0.250	1	10