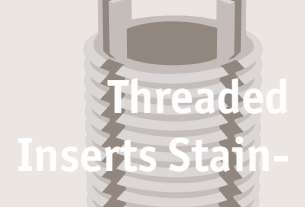
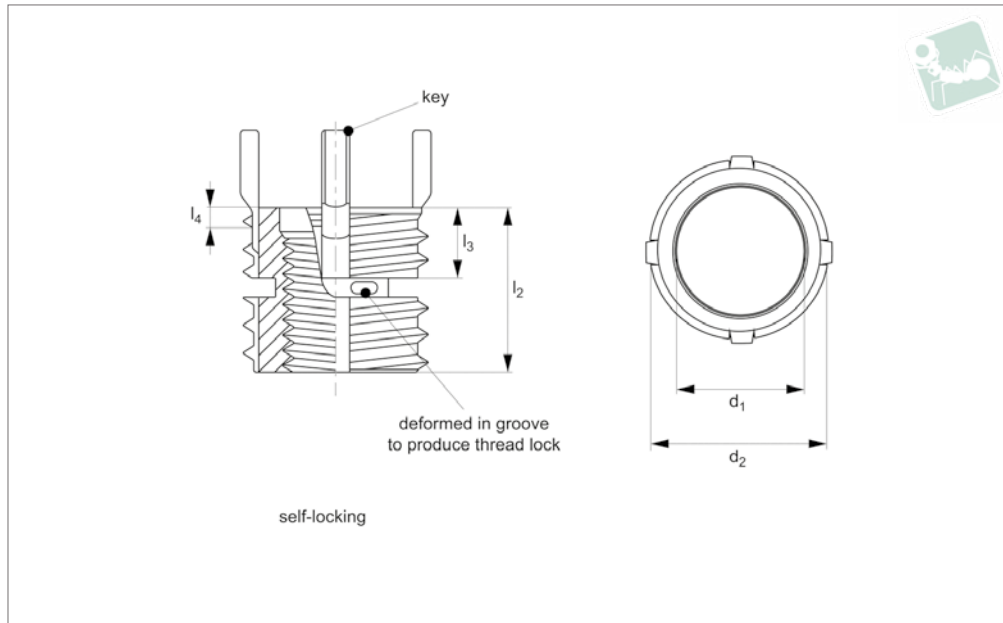




Threaded Insert MS/NAS - Thinwall - 303 stainless steel - self-locking - MS/NAS grade



Threaded
Inserts Stain-



TR1603

THREADED INSERTS STAINLESS

Material

Inserts - 303 CRES.
Keys - 302 CRES.
Passivated. Dry film lubrication on self-locking inserts only.

Technical Notes

All dimensions in millimetres.
Internal threads: to Fed. Std. H28/21, MJ Form
General tolerances -

+/- 0,25mm, unless specified.

Tap drill hole tolerances -
6,9 to 10,8 = +0,100/-0,025
12,8 and over = +0,130/-0,025

SL = Self-Locking type, deliberate deformity in thread produces self-affect once installed (see technical diagram).

Tips

Order installation tool separately, as identified by „Inst. Tool ref.“ in table.

Important Notes

Four locking keys on internal threads M 6 and over. Two locking keys on internal threads smaller than M 6.
Installation (Inst.) drill size, counter sink, thread tap and thread depth as specified in table.
Removal (Rem.) drill size and drill depth as specified in table.

Order No.	Type	d ₁ tol. 4H 5H	Thread type	d ₂ tol. 4h	Thread type	Inst. tap drill size	l ₁	l ₃ ±0.76	l ₄ e dept h	C'sink hole size +0.25 -0.00	Inst. thread tap tol. 6H	Inst. thread tap depth min.	Inst. tool ref. TR1712	Removal drill depth	Removal drill size
TR1603.77351	SL	M 5x0, 8	Coars e	M 8x1, 25	Coars e	6.90	8.0	3.73	1.27	8.25	M 8x1,2 5	9.5	.0510	4.00	5.50
TR1603.77551	SL	M 5x0, 5	Fine	M 8x1, 25	Coars e	6.90	8.0	3.73	1.27	8.25	M 8x1,2 5	9.5	.0510	4.00	5.50
TR1603.77352	SL	M 6x1, 0	Coars e	M10 x1,2 5	Fine	8.80	10.0	6.02	1.78	10.25	M10x 1,25	11.5	.0520	4.75	7.50
TR1603.77552	SL	M 6x0, 75	Fine	M10 x1,2 5	Fine	8.80	10.0	6.02	1.78	10.25	M10x 1,25	11.5	.0520	4.75	7.50
TR1603.77353	SL	M 8x1, 25	Coars e	M12 x1,2 5	Fine	10.80	12.0	6.28	1.78	12.25	M12x 1,25	13.5	.0530	4.75	9.50
TR1603.77553	SL	M 8x1, 0	Fine	M12 x1,2 5	Fine	10.80	12.0	6.28	1.78	12.25	M12x 1,25	13.5	.0530	4.75	9.50
TR1603.77355	SL	M10 x1,5	Coars e	M14 x1,5	Fine	12.80	14.0	6.46	2.29	14.25	M14x 1,5	15.5	.0550	4.75	11.50
TR1603.77555	SL	M10 x1,2 5	Fine	M14 x1,5	Fine	12.80	14.0	6.46	2.29	14.25	M14x 1,5	15.5	.0550	4.75	11.50

Threaded Inserts Stain-

Threaded Insert MS/NAS - Thinwall - 303 stainless steel - self-locking - MS/NAS grade



Order No.	Type	d ₁ tol. 4H	Thread type d ₁	d ₂ tol. 4h	Thread type d ₂	Inst. tap drill size	l ₁	l ₃ ±0.76	l ₄ e	c'bor h	C'sink hole size +0.25 -0.00	Inst. thread tap tol. 6H	Inst. thread tap depth min.	Inst. tool ref. TR1712	Removal drill depth	Removal drill size
TR1603.77356	SL	M12 x1,75	Coarse	M16 x1,5	Fine	14.75	16.0	6.46	2.29	16.25	M16x1,5	17.5	.0560	4.75	13.50	
TR1603.77556	SL	M12 x1,25	Fine	M16 x1,5	Fine	14.75	16.0	6.46	2.29	16.25	M16x1,5	17.5	.0560	4.75	13.50	

THREADED INSERTS STAINLESS