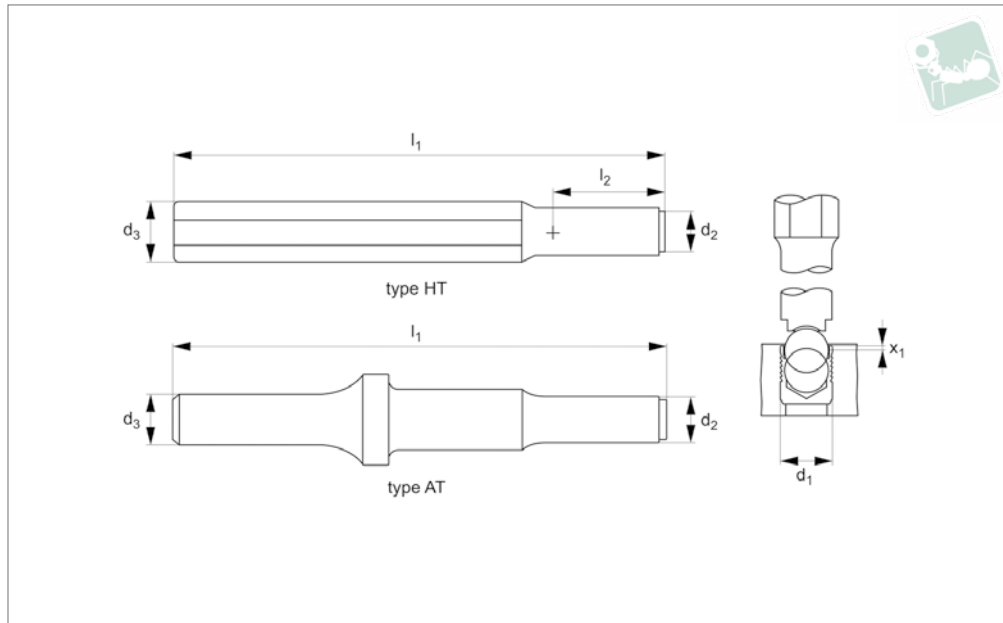
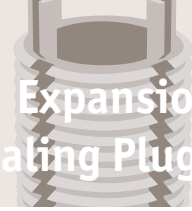




Setting Tool for Sealing Plugs for expansion plugs

Expansion
Sealing Plugs



SE0508

EXPANSION SEALING PLUGS

Material

Tool steel, heat-treated.

Technical Notes

Please consult technical pages for installa-

tion instructions and performance data.

Hand tool version and air tool (for multiple installations).

Ensure the ball is fully seated before

applying pressure.

Tips

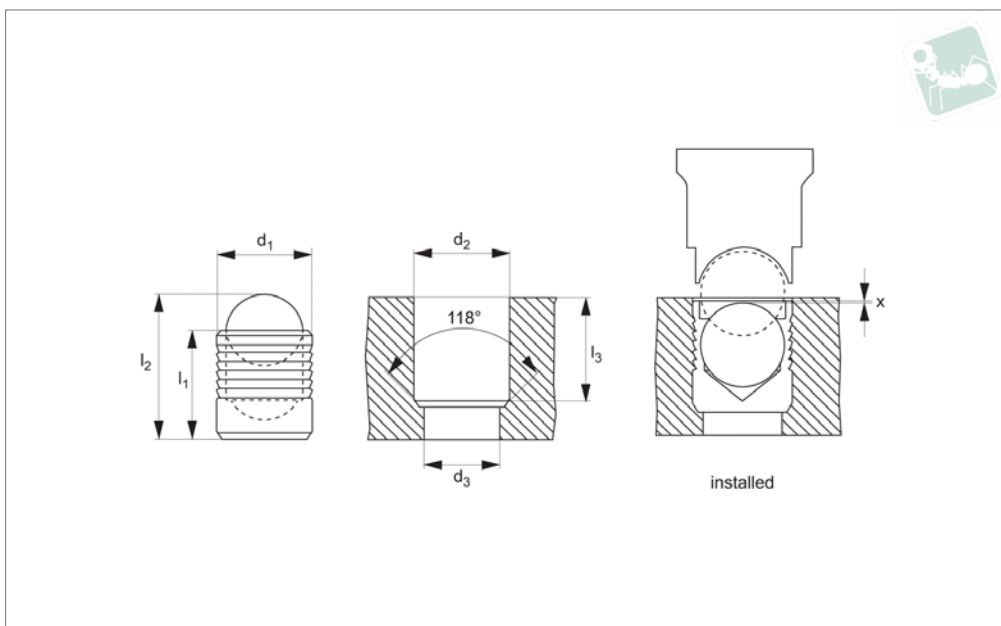
Metric dimensions in mm.

Inch dimensions in inches.

Order No.	d ₁	d ₂	d ₃	l ₁	l ₂	x ±0.2	Type
SE0508.030-C	3.0	2.8	9.53	127	10	0.4	Hand
SE0508.040-C	4.0	3.8	9.53	127	10	0.2	Hand
SE0508.050-C	5.0	4.7	9.53	127	12	0.4	Hand
SE0508.060-C	6.0	5.8	9.53	127	15	0.4	Hand
SE0508.070-C	7.0	6.8	9.53	127	18	0.4	Hand
SE0508.080-C	8.0	7.8	9.53	127	20	0.3	Hand
SE0508.090-C	9.0	8.7	15.88	127	22	0.4	Hand
SE0508.100-C	10.0	9.8	15.88	127	25	0.4	Hand
SE0508.120-C	12.0	11.7	15.88	127	30	0.4	Hand
SE0508.140-C	14.0	13.7	19.05	127	35	0.4	Hand
SE0508.160-C	16.0	15.7	19.05	127	40	0.6	Hand
SE0508.180-C	18.0	17.7	19.05	127	45	0.6	Hand
SE0509.030-C	3.0	2.8	10.19	100	0.4	0.4	Air
SE0509.040-C	4.0	3.8	10.19	100	0.2	0.2	Air
SE0509.050-C	5.0	4.7	10.19	100	0.4	0.4	Air
SE0509.060-C	6.0	5.8	10.19	100	0.4	0.4	Air
SE0509.070-C	7.0	6.8	10.19	100	0.4	0.4	Air
SE0509.080-C	8.0	7.8	10.19	100	0.3	0.3	Air
SE0509.090-C	9.0	8.7	10.19	100	0.4	0.4	Air
SE0509.100-C	10.0	9.8	10.19	100	0.4	0.4	Air
SE0509.200-C	20.0	19.7	10.19	100	0.8	0.8	Air
SE0508.220-C	22.0	21.7	10.19	100	0.8	0.8	Air



SE0501



Material

Plug body: case hardened steel (zinc-plated), stainless steel (A2, AISI 303 & A4 AISI 316) or aluminium (2024-T4).

Ball: heat-treated bearing steel or stainless steel (A2, AISI 303 & A4 AISI 316).

Technical Notes

These high pressure sealing plugs are used to blank off externally drilled holes for air

and gas.

No need for tapping, reaming, machining of O-ring grooves or the use of tapes or sealants.

Ensure the ball is fully seated before applying pressure.

Tips

Working pressure up to 450 bar (dependent on body material and material into which

installed).

Please consult technical pages for installation instructions and performance data.

Important Notes

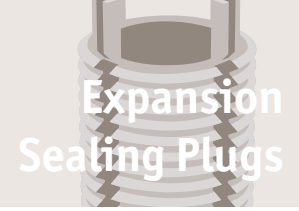
Please refer to technical pages for product installation details.

Order No.	d ₁	l ₁	l ₂	d ₂ +0.1 -0.0	d ₃ max.	l ₃ min.	x ±0.2	Body	Ball
SE0501.01-030-C	3.0	3.6	4.6	3.0	2.2	3.4	0.4	Steel ZP	Steel
SE0501.01-040-C	4.0	4.0	5.2	4.0	3.3	3.8	0.2	Steel ZP	Steel
SE0501.01-050-C	5.0	5.5	7.1	5.0	4.3	5.3	0.4	Steel ZP	Steel
SE0501.01-060-C	6.0	6.5	8.7	6.0	5.3	6.3	0.4	Steel ZP	Steel
SE0501.01-070-C	7.0	7.5	10.2	7.0	6.4	7.3	0.4	Steel ZP	Steel
SE0501.01-080-C	8.0	8.5	11.6	8.0	7.4	8.3	0.3	Steel ZP	Steel
SE0501.01-090-C	9.0	10.0	13.6	9.0	8.4	9.8	0.4	Steel ZP	Steel
SE0501.01-100-C	10.0	11.0	15.2	10.0	9.4	10.8	0.4	Steel ZP	Steel
SE0501.01-120-C	12.0	13.0	17.9	12.0	10.6	12.8	0.4	Steel ZP	Steel
SE0501.01-140-C	14.0	15.0	20.6	14.0	12.7	14.5	0.4	Steel ZP	Steel
SE0501.01-160-C	16.0	17.0	23.4	16.0	14.7	16.5	0.6	Steel ZP	Steel
SE0501.01-180-C	18.0	19.0	26.4	18.0	16.7	18.5	0.6	Steel ZP	Steel
SE0501.01-200-C	20.0	22.0	30.1	20.0	18.7	21.5	0.8	Steel ZP	Steel
SE0501.01-220-C	22.0	25.0	34.0	22.0	20.7	24.5	0.8	Steel ZP	Steel
SE0501.02-030-S	3.0	3.6	4.6	3.0	2.2	3.4	0.4	A2 s/s	Steel
SE0501.02-040-S	4.0	4.0	5.2	4.0	3.3	3.8	0.2	A2 s/s	Steel
SE0501.02-050-S	5.0	5.5	7.1	5.0	4.3	5.3	0.4	A2 s/s	Steel
SE0501.02-060-S	6.0	6.5	8.7	6.0	5.3	6.3	0.4	A2 s/s	Steel
SE0501.02-070-S	7.0	7.5	10.2	7.0	6.4	7.3	0.4	A2 s/s	Steel
SE0501.02-080-S	8.0	8.5	11.6	8.0	7.4	8.3	0.3	A2 s/s	Steel
SE0501.02-090-S	9.0	10.0	13.6	9.0	8.4	9.8	0.4	A2 s/s	Steel
SE0501.02-100-S	10.0	11.0	15.2	10.0	9.4	10.8	0.4	A2 s/s	Steel
SE0501.02-120-S	12.0	13.0	17.9	12.0	10.6	12.8	0.4	A2 s/s	Steel
SE0501.02-140-S	14.0	15.0	20.6	14.0	12.7	14.5	0.4	A2 s/s	Steel
SE0501.02-160-S	16.0	17.0	23.4	16.0	14.7	16.5	0.6	A2 s/s	Steel
SE0501.02-180-S	18.0	19.0	26.4	18.0	16.7	18.5	0.6	A2 s/s	Steel
SE0501.02-200-S	20.0	22.0	30.1	20.0	18.7	21.5	0.8	A2 s/s	Steel
SE0501.02-220-S	22.0	25.0	34.0	22.0	20.7	24.5	0.8	A2 s/s	Steel



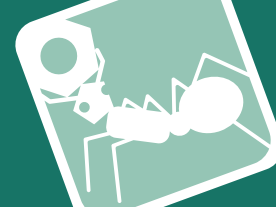
Expansion Sealing Plugs

Metric - standard

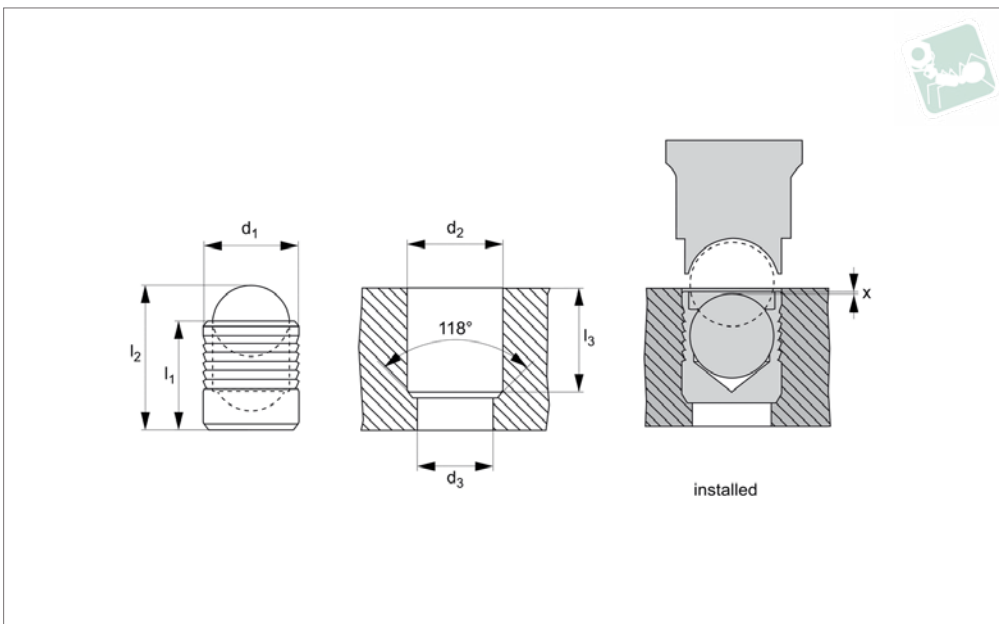


Order No.	d ₁	l ₁	l ₂	d ₂ +0.1 -0.0	d ₃ max.	l ₃ min.	x ±0.2	Body	Ball
SE0501.04-030-T	3.0	3.6	4.6	3.0	2.2	3.4	0.4	A4 s/s	A4 s/s
SE0501.04-040-T	4.0	4.0	5.2	4.0	3.3	3.8	0.2	A4 s/s	A4 s/s
SE0501.04-050-T	5.0	5.5	7.1	5.0	4.3	5.3	0.4	A4 s/s	A4 s/s
SE0501.04-060-T	6.0	6.5	8.7	6.0	5.3	6.3	0.4	A4 s/s	A4 s/s
SE0501.04-070-T	7.0	7.5	10.2	7.0	6.4	7.3	0.4	A4 s/s	A4 s/s
SE0501.04-080-T	8.0	8.5	11.6	8.0	7.4	8.3	0.3	A4 s/s	A4 s/s
SE0501.04-090-T	9.0	10.0	13.6	9.0	8.4	9.8	0.4	A4 s/s	A4 s/s
SE0501.04-100-T	10.0	11.0	15.2	10.0	9.4	10.8	0.4	A4 s/s	A4 s/s
SE0501.04-120-T	12.0	13.0	17.9	12.0	10.6	12.8	0.4	A4 s/s	A4 s/s
SE0501.04-140-T	14.0	15.0	20.6	14.0	12.7	14.5	0.4	A4 s/s	A4 s/s
SE0501.04-160-T	16.0	17.0	23.4	16.0	14.7	16.5	0.6	A4 s/s	A4 s/s
SE0501.04-180-T	18.0	19.0	26.4	18.0	16.7	18.5	0.6	A4 s/s	A4 s/s
SE0501.04-200-T	20.0	22.0	30.1	20.0	18.7	21.5	0.8	A4 s/s	A4 s/s
SE0501.04-220-T	22.0	25.0	34.0	22.0	20.7	24.5	0.8	A4 s/s	A4 s/s
SE0501.05-030-A	3.0	3.6	4.6	3.0	2.2	3.4	0.4	Aluminium	A2 s/s
SE0501.05-040-A	4.0	4.0	5.2	4.0	3.3	3.8	0.2	Aluminium	A2 s/s
SE0501.05-050-A	5.0	5.5	7.1	5.0	4.3	5.3	0.4	Aluminium	A2 s/s
SE0501.05-060-A	6.0	6.5	8.7	6.0	5.3	6.3	0.4	Aluminium	A2 s/s
SE0501.05-070-A	7.0	7.5	10.2	7.0	6.4	7.3	0.4	Aluminium	A2 s/s
SE0501.05-080-A	8.0	8.5	11.6	8.0	7.4	8.3	0.3	Aluminium	A2 s/s
SE0501.05-090-A	9.0	10.0	13.6	9.0	8.4	9.8	0.4	Aluminium	A2 s/s
SE0501.05-100-A	10.0	11.0	15.2	10.0	9.4	10.8	0.4	Aluminium	A2 s/s
SE0501.05-120-A	12.0	13.0	17.9	12.0	10.6	12.8	0.4	Aluminium	A2 s/s
SE0501.05-140-A	14.0	15.0	20.6	14.0	12.7	14.5	0.4	Aluminium	A2 s/s
SE0501.05-160-A	16.0	17.0	23.4	16.0	14.7	16.5	0.6	Aluminium	A2 s/s
SE0501.05-180-A	18.0	19.0	26.4	18.0	16.7	18.5	0.6	Aluminium	A2 s/s
SE0501.05-200-A	20.0	22.0	30.1	20.0	18.7	21.5	0.8	Aluminium	A2 s/s
SE0501.05-220-A	22.0	25.0	34.0	22.0	20.7	24.5	0.8	Aluminium	A2 s/s
SE0501.03-030-S	3.0	3.6	4.6	3.0	2.2	3.4	0.4	A2 s/s	A2 s/s
SE0501.03-040-S	4.0	4.0	5.2	4.0	3.3	3.8	0.2	A2 s/s	A2 s/s
SE0501.03-050-S	5.0	5.5	7.1	5.0	4.3	5.3	0.4	A2 s/s	A2 s/s
SE0501.03-060-S	6.0	6.5	8.7	6.0	5.3	6.3	0.4	A2 s/s	A2 s/s
SE0501.03-070-S	7.0	7.5	10.2	7.0	6.4	7.3	0.4	A2 s/s	A2 s/s
SE0501.03-080-S	8.0	8.5	11.6	8.0	7.4	8.3	0.3	A2 s/s	A2 s/s
SE0501.03-090-S	9.0	10.0	13.6	9.0	8.4	9.8	0.4	A2 s/s	A2 s/s
SE0501.03-100-S	10.0	11.0	15.2	10.0	9.4	10.8	0.4	A2 s/s	A2 s/s
SE0501.03-120-S	12.0	13.0	17.9	12.0	10.6	12.8	0.4	A2 s/s	A2 s/s
SE0501.03-140-S	14.0	15.0	20.6	14.0	12.7	14.5	0.4	A2 s/s	A2 s/s
SE0501.03-160-S	16.0	17.0	23.4	16.0	14.7	16.5	0.6	A2 s/s	A2 s/s
SE0501.03-180-S	18.0	19.0	26.4	18.0	16.7	18.5	0.6	A2 s/s	A2 s/s
SE0501.03-200-S	20.0	22.0	30.1	20.0	18.7	21.5	0.8	A2 s/s	A2 s/s
SE0501.03-220-S	22.0	25.0	34.0	22.0	20.7	24.5	0.8	A2 s/s	A2 s/s

EXPANSION SEALING PLUGS



SE0505



Material

Plug body: case hardened steel (zinc-plated), stainless steel (A2, AISI 303 & A4 AISI 316) or aluminium (2024-T4).

Ball: heat-treated bearing steel or stainless steel (A2, AISI 303 & A4 AISI 316).

Technical Notes

These high pressure sealing plugs are used to blank off externally drilled holes for air

and gas.

No need for tapping, reaming, machining of O-ring grooves or the use of tapes or sealants.

Ensure the ball is fully seated before applying pressure.

Dimensions in inches.

Tips

Working pressure up to 450 bar (dependent

on body material and material into which installed).

Please consult technical pages for installation instructions and performance data.

Important Notes

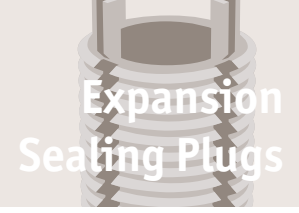
Please refer to technical pages for product installation details.

Order No.	d ₁	l ₁	l ₂	d ₂ +0.004 -0.000	d ₃ max.	l ₃ min.	x +0.0 -0.010	Body	Ball
SE0505.01-093-C	0.0937	0.098	0.12	0.0937	0.070	0.081	0.010	Steel ZP	Steel
SE0505.01-125-C	0.1250	0.125	0.16	0.1250	0.100	0.113	0.010	Steel ZP	Steel
SE0505.01-156-C	0.1562	0.125	0.17	0.1562	0.130	0.113	0.010	Steel ZP	Steel
SE0505.01-187-C	0.1875	0.187	0.24	0.1875	0.160	0.170	0.010	Steel ZP	Steel
SE0505.01-218-C	0.2187	0.187	0.25	0.2187	0.190	0.170	0.010	Steel ZP	Steel
SE0505.01-250-C	0.2500	0.225	0.30	0.2500	0.220	0.196	0.010	Steel ZP	Steel
SE0505.01-281-C	0.2812	0.225	0.35	0.2812	0.250	0.233	0.010	Steel ZP	Steel
SE0505.01-312-C	0.3125	0.280	0.39	0.3125	0.281	0.255	0.010	Steel ZP	Steel
SE0505.01-343-C	0.3437	0.307	0.43	0.3437	0.312	0.275	0.010	Steel ZP	Steel
SE0505.01-406-C	0.4062	0.365	0.52	0.4062	0.375	0.308	0.010	Steel ZP	Steel
SE0505.02-093-S	0.0937	0.098	0.12	0.0937	0.070	0.081	0.010	A2 s/s	Steel
SE0505.02-125-S	0.1250	0.125	0.16	0.1250	0.100	0.113	0.010	A2 s/s	Steel
SE0505.02-156-S	0.1562	0.125	0.17	0.1562	0.130	0.113	0.010	A2 s/s	Steel
SE0505.02-187-S	0.1875	0.187	0.24	0.1875	0.160	0.170	0.010	A2 s/s	Steel
SE0505.02-218-S	0.2187	0.187	0.25	0.2187	0.190	0.170	0.010	A2 s/s	Steel
SE0505.02-250-S	0.2500	0.225	0.30	0.2500	0.220	0.196	0.010	A2 s/s	Steel
SE0505.02-281-S	0.2812	0.225	0.35	0.2812	0.250	0.233	0.010	A2 s/s	Steel
SE0505.02-312-S	0.3125	0.280	0.39	0.3125	0.281	0.255	0.010	A2 s/s	Steel
SE0505.02-343-S	0.3437	0.307	0.43	0.3437	0.312	0.275	0.010	A2 s/s	Steel
SE0505.02-406-S	0.4062	0.365	0.52	0.4062	0.375	0.308	0.010	A2 s/s	Steel
SE0505.03-093-S	0.0937	0.098	0.12	0.0937	0.070	0.081	0.010	A2 s/s	A2 s/s
SE0505.03-125-S	0.1250	0.125	0.16	0.1250	0.100	0.113	0.010	A2 s/s	A2 s/s
SE0505.03-156-S	0.1562	0.125	0.17	0.1562	0.130	0.113	0.010	A2 s/s	A2 s/s
SE0505.03-187-S	0.1875	0.187	0.24	0.1875	0.160	0.170	0.010	A2 s/s	A2 s/s
SE0505.03-218-S	0.2187	0.187	0.25	0.2187	0.190	0.170	0.010	A2 s/s	A2 s/s
SE0505.03-250-S	0.2500	0.225	0.30	0.2500	0.220	0.196	0.010	A2 s/s	A2 s/s
SE0505.03-281-S	0.2812	0.225	0.35	0.2812	0.250	0.233	0.010	A2 s/s	A2 s/s
SE0505.03-312-S	0.3125	0.280	0.39	0.3125	0.281	0.255	0.010	A2 s/s	A2 s/s



Expansion Sealing Plugs - Inch

Inch - short

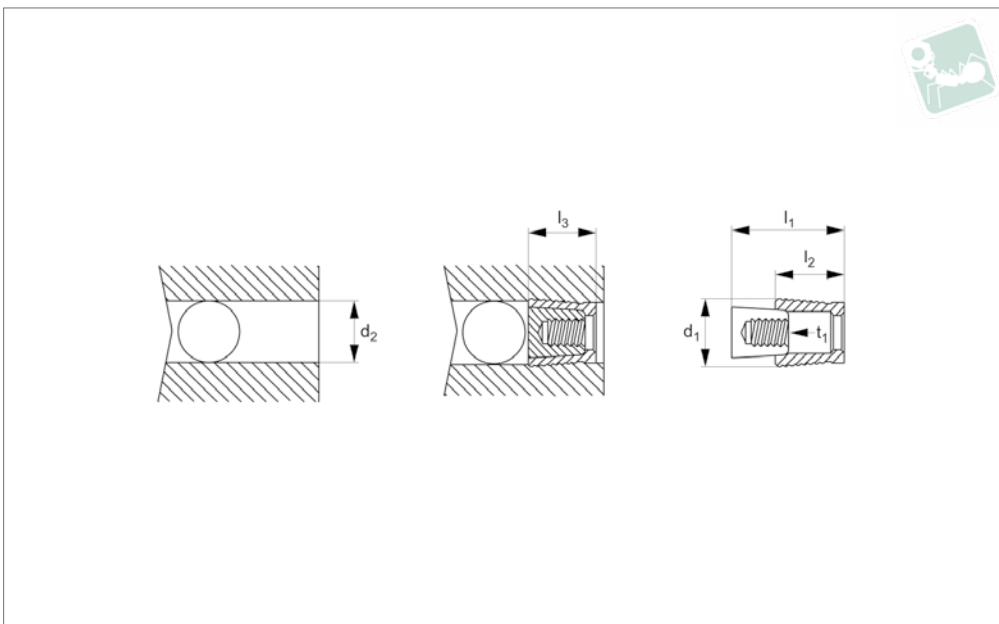


Order No.	d ₁	l ₁	l ₂	d ₂ +0.004 -0.000	d ₃ max.	l ₃ min.	x +0.0 -0.010	Body	Ball
SE0505.03-343-S	0.3437	0.307	0.43	0.3437	0.312	0.275	0.010	A2 s/s	A2 s/s
SE0505.03-406-S	0.4062	0.365	0.52	0.4062	0.375	0.308	0.010	A2 s/s	A2 s/s
SE0505.04-125-T	0.1250	0.125	0.16	0.1250	0.100	0.113	0.010	A4 s/s	A4 s/s
SE0505.04-156-T	0.1562	0.125	0.17	0.1562	0.130	0.113	0.010	A4 s/s	A4 s/s
SE0505.04-187-T	0.1875	0.187	0.24	0.1875	0.160	0.170	0.010	A4 s/s	A4 s/s
SE0505.04-218-T	0.2187	0.187	0.25	0.2187	0.190	0.170	0.010	A4 s/s	A4 s/s
SE0505.04-250-T	0.2500	0.225	0.30	0.2500	0.220	0.196	0.010	A4 s/s	A4 s/s
SE0505.04-281-T	0.2812	0.225	0.35	0.2812	0.250	0.233	0.010	A4 s/s	A4 s/s
SE0505.04-312-T	0.3125	0.280	0.39	0.3125	0.281	0.255	0.010	A4 s/s	A4 s/s
SE0505.04-343-T	0.3437	0.307	0.43	0.3437	0.312	0.275	0.010	A4 s/s	A4 s/s
SE0505.04-406-T	0.4062	0.365	0.52	0.4062	0.375	0.308	0.010	A4 s/s	A4 s/s
SE0505.05-125-A	0.1250	0.125	0.16	0.1250	0.100	0.113	0.010	Aluminium	A2 s/s
SE0505.05-156-A	0.1562	0.125	0.17	0.1562	0.130	0.113	0.010	Aluminium	A2 s/s
SE0505.05-187-A	0.1875	0.187	0.24	0.1875	0.160	0.170	0.010	Aluminium	A2 s/s
SE0505.05-218-A	0.2187	0.187	0.25	0.2187	0.190	0.170	0.010	Aluminium	A2 s/s
SE0505.05-250-A	0.2500	0.225	0.30	0.2500	0.220	0.196	0.010	Aluminium	A2 s/s
SE0505.05-281-A	0.2812	0.225	0.35	0.2812	0.250	0.233	0.010	Aluminium	A2 s/s
SE0505.05-312-A	0.3125	0.280	0.39	0.3125	0.281	0.255	0.010	Aluminium	A2 s/s
SE0505.05-343-A	0.3437	0.307	0.43	0.3437	0.312	0.275	0.010	Aluminium	A2 s/s
SE0505.05-406-A	0.4062	0.365	0.52	0.4062	0.375	0.308	0.010	Aluminium	A2 s/s

EXPANSION SEALING PLUGS



SE0522



Material

Sleeve: case-hardened steel, black oxide finish.

Pin: heat-treatable steel, black oxide finish.

Technical Notes

These high pressure sealing plugs are used

to blank off externally drilled holes for air and gas.

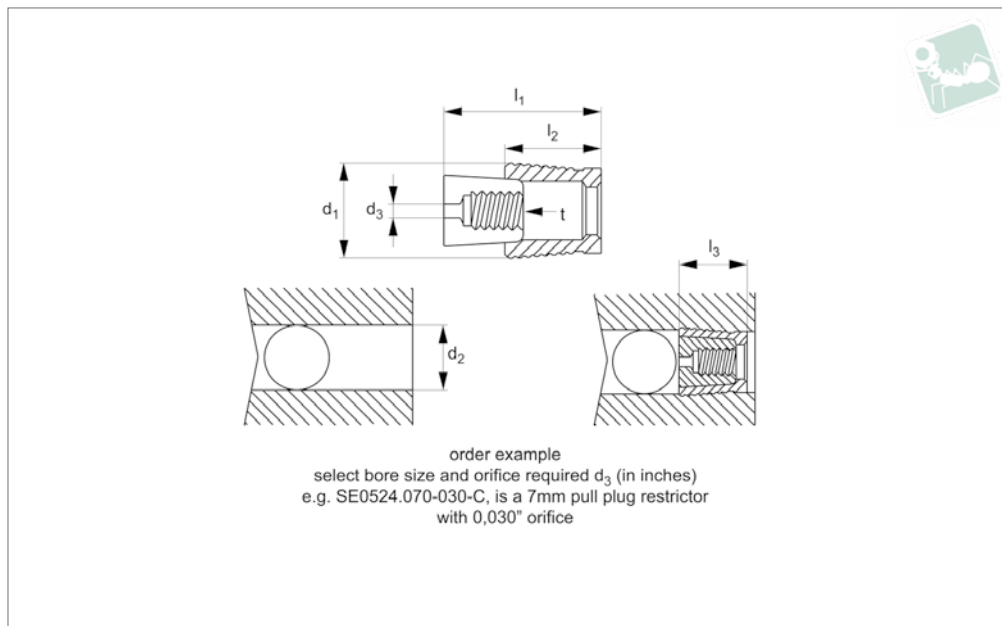
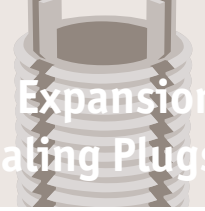
No need for tapping, reaming, machining of O-ring grooves or the use of tapes or sealants.

product installation details.

Important Notes

Please refer to technical pages for

Order No.	d ₁	d ₂ +0.1 -0.0	l ₁	l ₂	l ₃	t ₁
SE0522.070-C	7.0	7.0	13.0	7.5	8.0	4-40 UNC
SE0522.080-C	8.0	8.0	14.0	8.5	9.0	6-32 UNC
SE0522.090-C	9.0	9.0	16.0	9.5	10.0	8-32 UNC
SE0522.100-C	10.0	10.0	18.0	10.5	11.0	10-32 UNC
SE0522.120-C	12.0	12.0	21.0	12.5	13.0	10-32 UNC
SE0522.140-C	14.0	14.0	25.0	14.5	15.0	1/4-20 UNC
SE0522.160-C	16.0	16.0	28.0	16.5	17.0	1/4-20 UNC
SE0522.180-C	18.0	18.0	31.5	18.5	19.0	5/16-18 UNC
SE0522.200-C	20.0	20.0	35.0	20.5	21.0	3/8-16 UNC
SE0522.220-C	22.0	22.0	38.5	22.5	23.0	3/8-16 UNC



SE0524

EXPANSION SEALING PLUGS

Material

Sleeve: case-hardened steel, black oxide finish.

Pin: heat-treatable steel, black oxide finish.

Technical Notes

To order please specify orifice size d_3

required (-xxx) and add to order no.

Ordering example:

Select the bore size and d_3 required (in inches).

eg. SE0524-070-030 is a 7mm pull plug restrictor with 0.030" orifice.

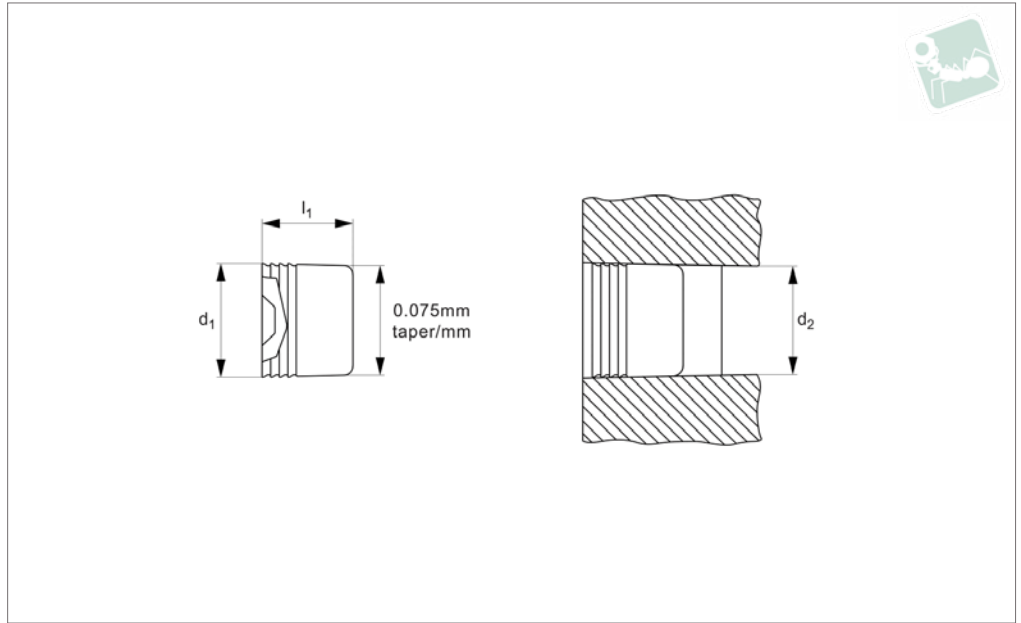
Important Notes

Please refer to technical pages for product installation details.

Order No.	d_1	l_1	l_2	d_2 +0.1 -0.0	l_3	d_3 inch	t
SE0524.070-XXX-C	7.0	13.0	7.5	7.0	8.0	0,012-0,13	4-40 UNC
SE0524.080-XXX-C	8.0	14.0	8.5	8.0	9.0	0,012-0,15	6-32 UNC
SE0524.090-XXX-C	9.0	16.0	9.5	9.0	10.0	0,012-0,17	8-32 UNC
SE0524.100-XXX-C	10.0	18.0	10.5	10.0	11.0	0,012-0,20	10-32 UNC
SE0524.120-XXX-C	12.0	21.0	12.5	12.0	13.0	0,012-0,24	10-32 UNC
SE0524.140-XXX-C	14.0	25.0	14.5	14.0	15.0	0,012-0,28	1/4-20 UNC
SE0524.160-XXX-C	16.0	28.0	16.5	16.0	17.0	0,012-0,30	1/4-20 UNC
SE0524.180-XXX-C	18.0	31.5	18.5	18.0	19.0	0,012-0,35	5/16-18 UNC
SE0524.200-XXX-C	20.0	35.0	20.5	20.0	21.0	0,012-0,40	3/8-16 UNC
SE0524.220-XXX-C	22.0	38.5	22.5	22.0	23.0	0,012-0,43	3/8-16 UNC



SE0526



Material
Aluminium (6061).

a 0.075mm/mm taper over their length.
Burst pressure 35 bar (500 psi).

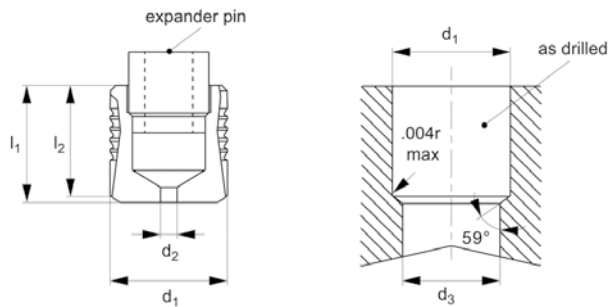
Technical Notes

These are high pressure sealing plugs with

Order No.	d ₁	d ₂ max.	l ₁	Size
SE0526.070-A	7.01	6.50	5.5	7
SE0526.090-A	9.01	8.38	5.5	9

Expansion Restrictors

Expansion Sealing Plugs



order example
select bore size and orifice required d_2 (in inches)
e.g. SE0528.090-015-S, is a 9mm expansion restrictor
with 0.015" orifice



SE0528

EXPANSION SEALING PLUGS

Material

A2 Stainless steel.
Calibrated hole diameter (d_2).

Technical Notes

For restricting flow.
To order please specify orifice size d_2
required (-xxx) and add to order number.

Ordering example:

Select size required then add -xxx which
indicate reduced hole diameter (d_2), eg
SE0528.090-015-S indicated a 9mm bore
size with a 0.015" orifice.

Tips

Metric dimensions in mm.

Imperial dimensions in inches. (Length
Tolerance $\pm 0,006$)

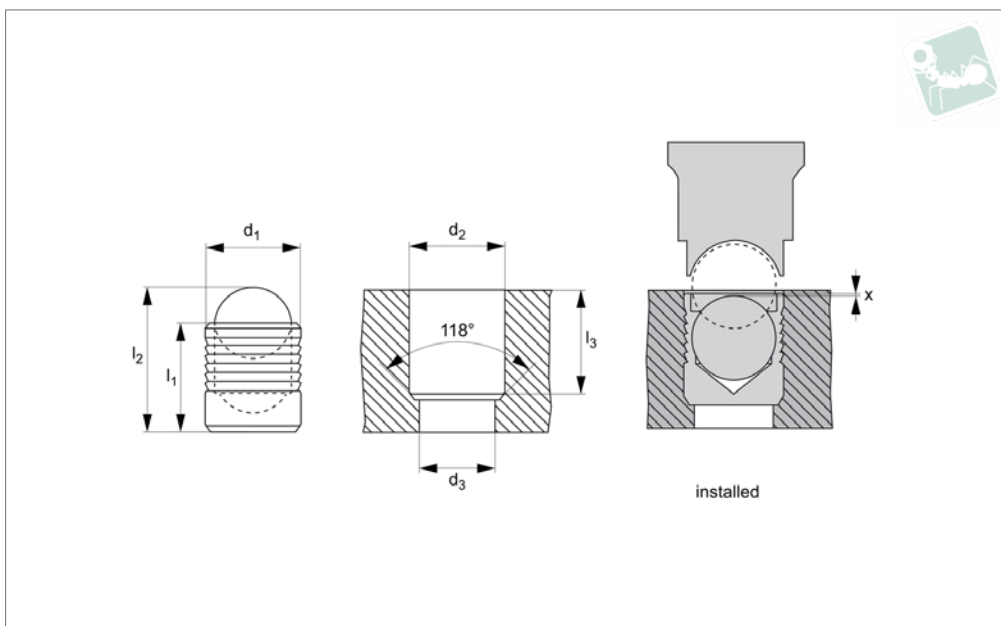
Important Notes

Please refer to technical pages for
product installation details.

Order No.	d_1 +0	l_1 ± 0.010	l_2 ± 0.010	d_2 ± 0.001	d_3 ± 0.010	l_3 min.	d_4 max.
SE0528.040-XXX-S	4,00	4.0	3.7	0,012-0,015"	4.00	3.8	3.3
SE0528.050-XXX-S	5,00 -0,030	5.0	5.2	0,012-0,075"	5.00	5.3	4.3
SE0528.060-XXX-S	6,00 -0,030	6.0	6.2	0,012-0,100"	6.00	6.3	5.3
SE0528.070-XXX-S	7,00 -0,036	7.0	7.2	0,012-0,130"	7.00	7.3	6.2
SE0528.080-XXX-S	8,00 -0,036	8.0	8.2	0,012-0,150"	8.00	8.3	7.2
SE0528.090-XXX-S	9,00 -0,036	9.0	9.70	0,012-0,170"	9.00	9.8	8.2
SE0528.100-XXX-S	10,00 -0,036	10.0	10.70	0,012-0,195"	10.00	10.8	9.2
SE0528.120-XXX-S	12,00 -0,043	12.0	12.70	0,012-0,240"	12.00	12.8	11.0
SE0528.140-XXX-S	14,00 -0,043	14.0	14.40	0,012-0,280"	14.00	14.5	13.0
SE0528.156-XXX-S	0,1562 -0,0012"	0,161"	0,149"	0,012-0,050"	0,1562"	0,149"	0,130"
SE0528.187-XXX-S	0,1875 -0,0012"	0,220"	0,208"	0,012-0,070"	0,1875"	0,208"	0,160"
SE0528.218-XXX-S	0,2187 -0,0012"	0,220"	0,208"	0,012-0,085"	0,2187"	0,208"	0,190"
SE0528.250-XXX-S	0,2500 -0,0012"	0,259"	0,247"	0,012-0,105"	0,2500"	0,247"	0,220"
SE0528.281-XXX-S	0,2817 -0,0014"	0,299"	0,287"	0,012-0,130"	0,2812"	0,287"	0,250"
SE0528.312-XXX-S	0,3125 -0,0014"	0,338"	0,326"	0,012-0,150"	0,3125"	0,326"	0,281"
SE0528.343-XXX-S	0,3437 -0,0014"	0,397"	0,385"	0,012-0,160"	0,3437"	0,385"	0,312"
SE0528.375-XXX-S	0,3750 -0,0014"	0,397"	0,385"	0,012-0,180"	0,3750"	0,385"	0,343"
SE0528.406-XXX-S	0,4062 -0,0014"	0,437"	0,425"	0,012-0,195"	0,4062"	0,425"	0,375"
SE0528.437-XXX-S	0,4375 -0,0014"	0,515"	0,503"	0,012-0,220"	0,4375"	0,503"	0,406"
SE0528.468-XXX-S	0,4687 -0,0017"	0,515"	0,503"	0,012-0,240"	0,4687"	0,503"	0,437"
SE0528.562-XXX-S	0,5625 -0,0017"	0,594"	0,570"	0,012-0,290"	0,5625"	0,570"	0,510"



SE0507



Material

Plug body: case hardened steel (zinc-plated), stainless steel (A2, AISI 303 & A4 AISI 316) or aluminium (2024-T4).

Ball: heat-treated bearing steel or stainless steel (A2, AISI 303 & A4 AISI 316).

Technical Notes

These high pressure sealing plugs are used to blank off externally drilled holes for air

and gas.

No need for tapping, reaming, machining of O-ring grooves or the use of tapes or sealants.

Ensure the ball is fully seated before applying pressure.

Dimensions in inches.

Tips

Working pressure up to 450 bar (dependent

on body material and material into which installed).

Please consult technical pages for installation instructions and performance data.

Important Notes

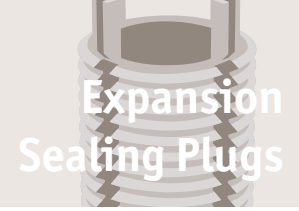
Please refer to technical pages for product installation details.

Order No.	d ₁	l ₁	l ₂	d ₂ +0.004 -0.000	d ₃ max.	l ₃ min.	x +0.0 -0.010	Body	Ball
SE0507.01-015-C	0.1562	0.157	0.21	0.1562	0.130	0.150	0.010	Steel ZP	Steel
SE0507.01-018-C	0.1875	0.216	0.28	0.1875	0.160	0.209	0.010	Steel ZP	Steel
SE0507.01-021-C	0.2187	0.220	0.28	0.2187	0.190	0.208	0.010	Steel ZP	Steel
SE0507.01-025-C	0.2500	0.256	0.34	0.2500	0.220	0.248	0.010	Steel ZP	Steel
SE0507.01-028-C	0.2812	0.295	0.40	0.2812	0.250	0.287	0.010	Steel ZP	Steel
SE0507.01-031-C	0.3125	0.334	0.46	0.3125	0.281	0.327	0.010	Steel ZP	Steel
SE0507.01-034-C	0.3437	0.394	0.53	0.3437	0.312	0.385	0.010	Steel ZP	Steel
SE0507.01-037-C	0.3750	0.433	0.60	0.3750	0.343	0.425	0.010	Steel ZP	Steel
SE0507.01-040-C	0.4062	0.437	0.59	0.4062	0.375	0.425	0.010	Steel ZP	Steel
SE0507.01-043-C	0.4375	0.515	0.68	0.4375	0.406	0.503	0.010	Steel ZP	Steel
SE0507.01-046-C	0.4687	0.512	0.71	0.4687	0.437	0.504	0.010	Steel ZP	Steel
SE0507.02-018-S	0.1875	0.216	0.28	0.1875	0.160	0.209	0.010	A2 s/s	A2 s/s
SE0507.02-021-S	0.2187	0.220	0.28	0.2187	0.190	0.208	0.010	A2 s/s	A2 s/s
SE0507.02-025-S	0.2500	0.256	0.34	0.2500	0.220	0.248	0.010	A2 s/s	A2 s/s
SE0507.02-028-S	0.2812	0.295	0.40	0.2812	0.250	0.287	0.010	A2 s/s	A2 s/s
SE0507.02-031-S	0.3125	0.334	0.46	0.3125	0.281	0.327	0.010	A2 s/s	A2 s/s
SE0507.02-034-S	0.3437	0.394	0.53	0.3437	0.312	0.385	0.010	A2 s/s	A2 s/s
SE0507.02-037-S	0.3750	0.433	0.60	0.3750	0.343	0.425	0.010	A2 s/s	A2 s/s
SE0507.02-040-S	0.4062	0.437	0.59	0.4062	0.375	0.425	0.010	A2 s/s	A2 s/s
SE0507.02-043-S	0.4375	0.515	0.68	0.4375	0.406	0.503	0.010	A2 s/s	A2 s/s
SE0507.02-046-S	0.4687	0.512	0.71	0.4687	0.437	0.504	0.010	A2 s/s	A2 s/s
SE0507.03-018-S	0.1875	0.216	0.28	0.1875	0.160	0.209	0.010	A4 s/s	A4 s/s
SE0507.03-021-S	0.2187	0.220	0.28	0.2187	0.190	0.208	0.010	A4 s/s	A4 s/s
SE0507.03-025-S	0.2500	0.256	0.34	0.2500	0.220	0.248	0.010	A4 s/s	A4 s/s
SE0507.03-028-S	0.2812	0.295	0.40	0.2812	0.250	0.287	0.010	A4 s/s	A4 s/s
SE0507.03-031-S	0.3125	0.334	0.46	0.3125	0.281	0.327	0.010	A4 s/s	A4 s/s
SE0507.03-034-S	0.3437	0.394	0.53	0.3437	0.312	0.385	0.010	A4 s/s	A4 s/s
SE0507.03-040-S	0.4062	0.437	0.59	0.4062	0.375	0.425	0.010	A4 s/s	A4 s/s



Expansion Sealing Plugs - Inch

Inch - standard

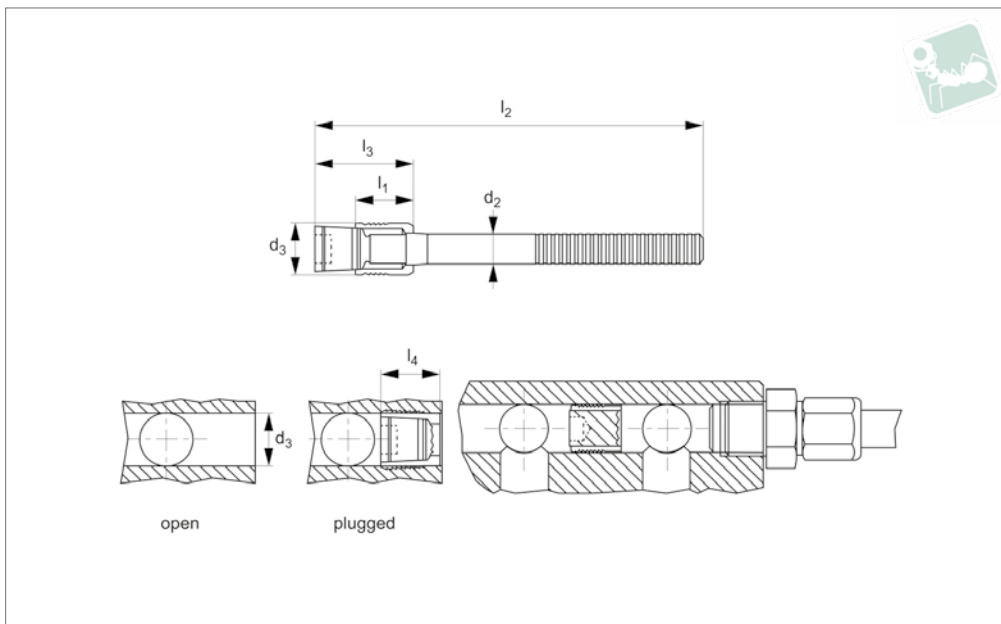


Order No.	d_1	l_1	l_2	d_2 +0.004 -0.000	d_3 max.	l_3 min.	x +0.0 -0.010	Body	Ball
SE0507.03-043-S	0.4375	0.515	0.68	0.4375	0.406	0.503	0.010	A4 s/s	A4 s/s
SE0507.03-046-S	0.4687	0.512	0.71	0.4687	0.437	0.504	0.010	A4 s/s	A4 s/s
SE0507.04-018-T	0.1875	0.216	0.28	0.1875	0.160	0.209	0.010	Aluminium	A2 s/s
SE0507.04-021-T	0.2187	0.220	0.28	0.2187	0.190	0.208	0.010	Aluminium	A2 s/s
SE0507.04-025-T	0.2500	0.256	0.34	0.2500	0.220	0.248	0.010	Aluminium	A2 s/s
SE0507.04-028-T	0.2812	0.295	0.40	0.2812	0.250	0.287	0.010	Aluminium	A2 s/s
SE0507.04-031-T	0.3125	0.334	0.46	0.3125	0.281	0.327	0.010	Aluminium	A2 s/s
SE0507.04-034-T	0.3437	0.394	0.53	0.3437	0.312	0.385	0.010	Aluminium	A2 s/s
SE0507.04-037-T	0.3750	0.433	0.60	0.3750	0.343	0.425	0.010	Aluminium	A2 s/s
SE0507.04-040-T	0.4062	0.437	0.59	0.4062	0.375	0.425	0.010	Aluminium	A2 s/s
SE0507.04-043-T	0.4375	0.515	0.68	0.4375	0.406	0.503	0.010	Aluminium	A2 s/s
SE0507.04-046-T	0.4687	0.512	0.71	0.4687	0.437	0.504	0.010	Aluminium	A2 s/s

EXPANSION SEALING PLUGS



SE0520



Material

Sleeve: case-hardened steel, black oxide finish.

Mandrel: heat-treated steel, black oxide finish.

Technical Notes

These high pressure sealing plugs are used to blank off externally drilled holes for air and gas.

No need for tapping, reaming, machining

of O-ring grooves or the use of tapes or sealants.

Short version - with short mandrel.

Long version - with long mandrel.

Tips

Working pressure up to 450 bar (dependent on body material and material into which installed).

Pulling on the mandrel forces the plug insert into the plug body, expanding the

body out to grip on the channel walls.

At a set pressure the mandrel then breaks off and is removed with the plug remaining firmly set inside the bore.

Important Notes

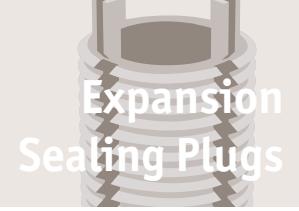
Please refer to technical pages for product installation details.

Order No.	d ₁	d ₂	d ₃ +0.12 -0.0	l ₁	l ₂	l ₃ max.	l ₄ max.	Type
SE0520.01-040-C	4.0	2.50	4.0	4.0	39	9.0	6.5	Short
SE0520.01-050-C	5.0	3.00	5.0	5.5	41	10.0	7.5	Short
SE0520.01-060-C	6.0	3.40	6.0	6.5	43	12.0	8.0	Short
SE0520.01-080-C	8.0	4.20	8.0	8.5	40	15.0	10.5	Short
SE0520.01-090-C	9.0	4.50	9.0	9.5	43	17.0	11.0	Short

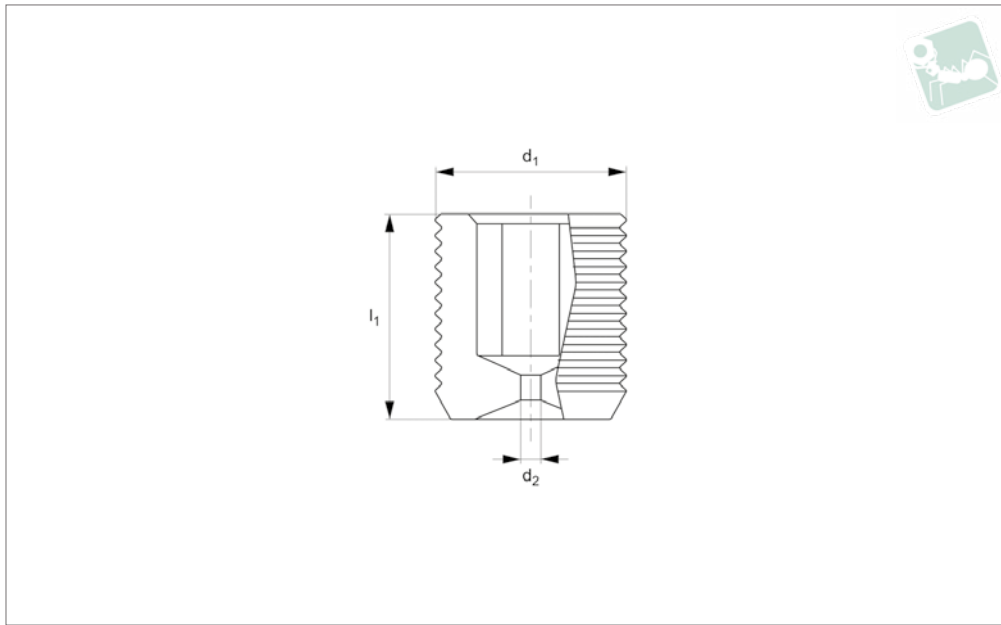


Metric Threaded Restrictors

Stainless Steel



Expansion
Sealing Plugs



SE0530

EXPANSION SEALING PLUGS

Material

A2 stainless steel

Technical Notes

For restricting flow.

Select size required then add -xxx which indicated reduced hole diameter (d_2), eg SE0530.080-0150 A2 indicated a 8mm bore size with a 0.38 orifice.

Important Notes

Please refer to technical pages for product installation details.

Order No.	d_1	d_1 nom.	d_2	l_1	A/F
SE0530.040-003	M 4x0,7	4	0.30	4	2
SE0530.040-004	M 4x0,7	4	0.38	4	2
SE0530.040-005	M 4x0,7	4	0.51	4	2
SE0530.040-006	M 4x0,7	4	0.61	4	2
SE0530.040-007	M 4x0,7	4	0.71	4	2
SE0530.040-008	M 4x0,7	4	0.81	4	2
SE0530.040-009	M 4x0,7	4	0.89	4	2
SE0530.050-003	M 5x0,8	5	0.30	5	2.5
SE0530.050-004	M 5x0,8	5	0.38	5	2.5
SE0530.050-005	M 5x0,8	5	0.51	5	2.5
SE0530.050-006	M 5x0,8	5	0.61	5	2.5
SE0530.050-007	M 5x0,8	5	0.71	5	2.5
SE0530.050-008	M 5x0,8	5	0.81	5	2.5
SE0530.050-009	M 5x0,8	5	0.89	5	2.5
SE0530.050-010	M 5x0,8	5	1.02	5	2.5
SE0530.050-011	M 5x0,8	5	1.12	5	2.5
SE0530.050-012	M 5x0,8	5	1.22	5	2.5
SE0530.050-013	M 5x0,8	5	1.27	5	2.5
SE0530.050-014	M 5x0,8	5	1.40	5	2.5
SE0530.060-003	M 6x1,0	6	0.30	6	3
SE0530.060-004	M 6x1,0	6	0.38	6	3
SE0530.060-005	M 6x1,0	6	0.51	6	3
SE0530.060-006	M 6x1,0	6	0.61	6	3
SE0530.060-007	M 6x1,0	6	0.71	6	3
SE0530.060-008	M 6x1,0	6	0.81	6	3
SE0530.060-009	M 6x1,0	6	0.89	6	3
SE0530.060-010	M 6x1,0	6	1.02	6	3
SE0530.060-011	M 6x1,0	6	1.12	6	3
SE0530.060-012	M 6x1,0	6	1.22	6	3
SE0530.060-013	M 6x1,0	6	1.27	6	3
SE0530.060-014	M 6x1,0	6	1.40	6	3
SE0530.060-015	M 6x1,0	6	1.50	6	3
SE0530.060-016	M 6x1,0	6	1.60	6	3
SE0530.060-017	M 6x1,0	6	1.70	6	3

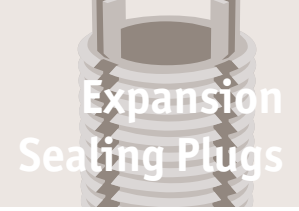


Order No.	d ₁	d ₁ nom.	d ₂	l ₁	A/F
SE0530.060-018	M 6x1,0	6	1.80	6	3
SE0530.060-019	M 6x1,0	6	1.91	6	3
SE0530.080-003	M 8x1,25	8	0.30	8	4
SE0530.080-004	M 8x1,25	8	0.38	8	4
SE0530.080-005	M 8x1,25	8	0.51	8	4
SE0530.080-006	M 8x1,25	8	0.61	8	4
SE0530.080-007	M 8x1,25	8	0.71	8	4
SE0530.080-008	M 8x1,25	8	0.81	8	4
SE0530.080-009	M 8x1,25	8	0.89	8	4
SE0530.080-010	M 8x1,25	8	1.02	8	4
SE0530.080-011	M 8x1,25	8	1.12	8	4
SE0530.080-012	M 8x1,25	8	1.22	8	4
SE0530.080-014	M 8x1,25	8	1.40	8	4
SE0530.080-015	M 8x1,25	8	1.50	8	4
SE0530.080-016	M 8x1,25	8	1.60	8	4
SE0530.080-017	M 8x1,25	8	1.70	8	4
SE0530.080-018	M 8x1,25	8	1.80	8	4
SE0530.080-019	M 8x1,25	8	1.91	8	4
SE0530.080-020	M 8x1,25	8	1.98	8	4
SE0530.080-021	M 8x1,25	8	2.08	8	4
SE0530.080-022	M 8x1,25	8	2.16	8	4
SE0530.080-023	M 8x1,25	8	2.29	8	4
SE0530.080-024	M 8x1,25	8	2.41	8	4
SE0530.080-025	M 8x1,25	8	2.54	8	4
SE0530.080-026	M 8x1,25	8	2.59	8	4
SE0530.080-027	M 8x1,25	8	2.69	8	4
SE0530.080-028	M 8x1,25	8	2.79	8	4
SE0530.080-029	M 8x1,25	8	2.92	8	4
SE0530.100-003	M10x1,5	10	0.30	10	5
SE0530.100-004	M10x1,5	10	0.38	10	5
SE0530.100-005	M10x1,5	10	0.51	10	5
SE0530.100-006	M10x1,5	10	0.61	10	5
SE0530.100-007	M10x1,5	10	0.71	10	5
SE0530.100-008	M10x1,5	10	0.81	10	5
SE0530.100-009	M10x1,5	10	0.89	10	5
SE0530.100-010	M10x1,5	10	1.02	10	5
SE0530.100-011	M10x1,5	10	1.12	10	5
SE0530.100-012	M10x1,5	10	1.22	10	5
SE0530.100-013	M10x1,5	10	1.27	10	5
SE0530.100-014	M10x1,5	10	1.40	10	5
SE0530.100-015	M10x1,5	10	1.50	10	5
SE0530.100-016	M10x1,5	10	1.60	10	5
SE0530.100-017	M10x1,5	10	1.70	10	5
SE0530.100-018	M10x1,5	10	1.80	10	5
SE0530.100-019	M10x1,5	10	1.91	10	5
SE0530.100-020	M10x1,5	10	1.98	10	5
SE0530.100-021	M10x1,5	10	2.08	10	5
SE0530.100-022	M10x1,5	10	2.16	10	5
SE0530.100-023	M10x1,5	10	2.29	10	5
SE0530.100-024	M10x1,5	10	2.41	10	5
SE0530.100-025	M10x1,5	10	2.54	10	5
SE0530.100-026	M10x1,5	10	2.59	10	5
SE0530.100-027	M10x1,5	10	2.69	10	5
SE0530.100-028	M10x1,5	10	2.79	10	5
SE0530.100-029	M10x1,5	10	2.92	10	5
SE0530.100-030	M10x1,5	10	3.00	10	5
SE0530.100-031	M10x1,5	10	3.10	10	5
SE0530.100-032	M10x1,5	10	3.18	10	5
SE0530.100-033	M10x1,5	10	3.30	10	5
SE0530.100-034	M10x1,5	10	3.43	10	5
SE0530.100-035	M10x1,5	10	3.51	10	5
SE0530.100-036	M10x1,5	10	3.58	10	5
SE0530.100-037	M10x1,5	10	3.68	10	5
SE0530.100-038	M10x1,5	10	3.81	10	5
SE0530.100-039	M10x1,5	10	3.91	10	5
SE0530.120-003	M12x1,75	12	0.30	12	6
SE0530.120-004	M12x1,75	12	0.38	12	6
SE0530.120-005	M12x1,75	12	0.51	12	6



Metric Threaded Restrictors

Stainless Steel



Order No.	d ₁	d ₁ nom.	d ₂	l ₁	A/F
SE0530.120-006	M12x1,75	12	0.61	12	6
SE0530.120-007	M12x1,75	12	0.71	12	6
SE0530.120-008	M12x1,75	12	0.81	12	6
SE0530.120-009	M12x1,75	12	0.89	12	6
SE0530.120-010	M12x1,75	12	1.02	12	6
SE0530.120-011	M12x1,75	12	1.12	12	6
SE0530.120-012	M12x1,75	12	1.22	12	6
SE0530.120-013	M12x1,75	12	1.27	12	6
SE0530.120-014	M12x1,75	12	1.40	12	6
SE0530.120-015	M12x1,75	12	1.50	12	6
SE0530.120-016	M12x1,75	12	1.60	12	6
SE0530.120-017	M12x1,75	12	1.70	12	6
SE0530.120-018	M12x1,75	12	1.80	12	6
SE0530.120-019	M12x1,75	12	1.91	12	6
SE0530.120-020	M12x1,75	12	1.98	12	6
SE0530.120-021	M12x1,75	12	2.08	12	6
SE0530.120-022	M12x1,75	12	2.16	12	6
SE0530.120-023	M12x1,75	12	2.29	12	6
SE0530.120-024	M12x1,75	12	2.41	12	6
SE0530.120-025	M12x1,75	12	2.54	12	6
SE0530.120-026	M12x1,75	12	2.59	12	6
SE0530.120-027	M12x1,75	12	2.69	12	6
SE0530.120-028	M12x1,75	12	2.79	12	6
SE0530.120-029	M12x1,75	12	2.92	12	6
SE0530.120-030	M12x1,75	12	3.00	12	6
SE0530.120-031	M12x1,75	12	3.10	12	6
SE0530.120-032	M12x1,75	12	3.18	12	6
SE0530.120-033	M12x1,75	12	3.30	12	6
SE0530.120-034	M12x1,75	12	3.43	12	6
SE0530.120-035	M12x1,75	12	3.51	12	6
SE0530.120-036	M12x1,75	12	3.58	12	6
SE0530.120-037	M12x1,75	12	3.68	12	6
SE0530.120-038	M12x1,75	12	3.81	12	6
SE0530.120-039	M12x1,75	12	3.91	12	6
SE0530.120-040	M12x1,75	12	4.01	12	6
SE0530.120-041	M12x1,75	12	4.11	12	6
SE0530.120-042	M12x1,75	12	4.19	12	6
SE0530.120-043	M12x1,75	12	4.32	12	6
SE0530.120-044	M12x1,75	12	4.42	12	6
SE0530.120-045	M12x1,75	12	4.50	12	6
SE0530.120-046	M12x1,75	12	4.60	12	6
SE0530.120-047	M12x1,75	12	4.70	12	6
SE0530.120-048	M12x1,75	12	4.83	12	6
SE0530.120-049	M12x1,75	12	4.90	12	6
SE0530.120-050	M12x1,75	12	4.95	12	6