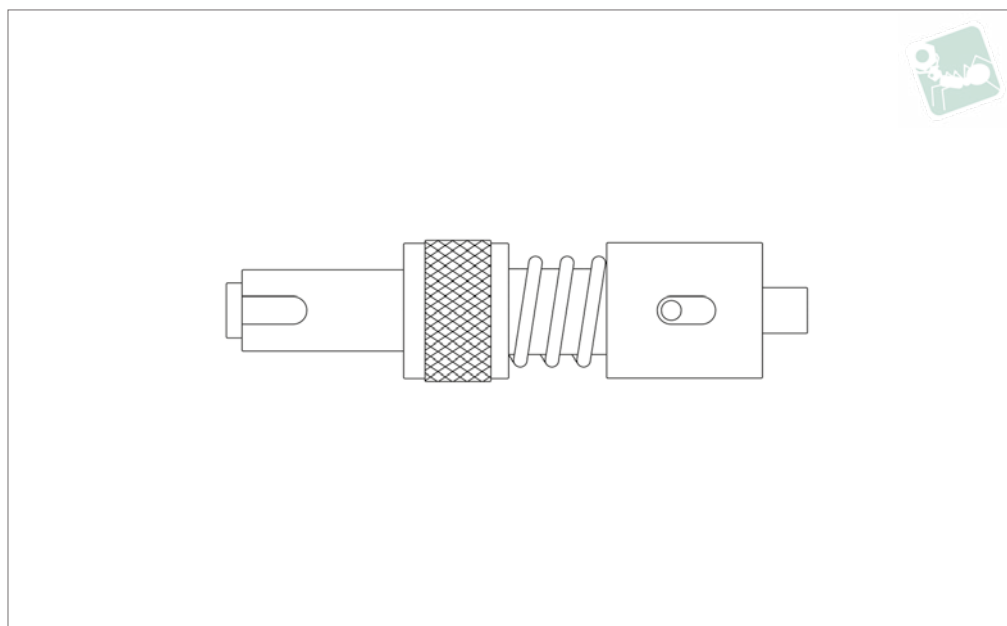


# Installation Tool

for inserts TR1650/51/60/61/70/71



Installation  
Tools



**TR1700**

INSTALLATION TOOLS

**Material**

Steel blackened.

**Tips**

For use with threaded inserts TR1650, TR1651, TR1660, TR1661, TR1670 and

TR1671.

Select installation tool of corresponding insert internal thread  $d_1$  AND external thread  $d_2$ .

If in doubt refer to data tables of insert

where „inst. tool ref“ is stated.

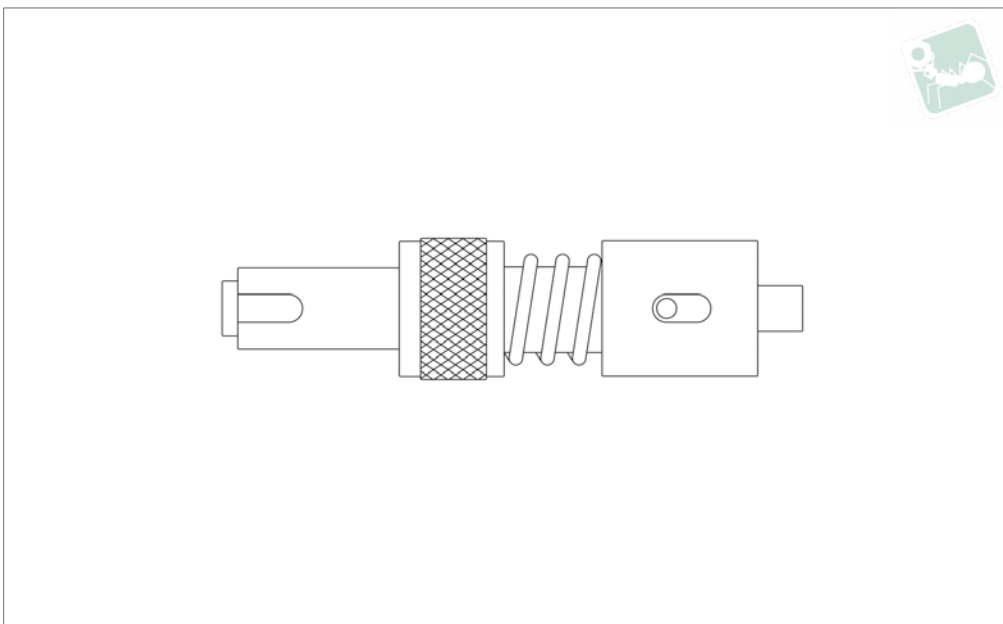
**Important Notes**

**All dimensions in imperial.**

Order No.	For insert of internal thread = $d_1$	For insert of external thread = $d_2$
TR1700.0830	2 - 56	8 - 32
TR1700.0840	4 - 40	10 - 32
TR1700.0850	6 - 32	12 - 28
TR1700.0860	8 - 32	1/4 - 28†



## TR1702



### Material

Steel blackened.

### Tips

For use with threaded inserts TR1652, TR1653, TR1662, TR1663. TR1672 and TR1673.

Select installation tool of corresponding insert internal thread  $d_1$  AND external thread  $d_2$ .

If in doubt refer to data tables of insert where correct "Inst. tool ref" is stated.

### Important Notes

**All dimensions in imperial.**

Order No.	For insert of internal thread = $d_1$	For insert of external thread = $d_2$
TR1702.0210	10 - 24	5/16 - 18
TR1702.0211	10 - 32	5/16 - 18
TR1702.0220	1/4 - 20	3/8 - 16
TR1702.0221	1/4 - 28	3/8 - 16
TR1702.0230	5/16 - 18	7/16 - 14
TR1702.0231	5/16 - 24	7/16 - 14
TR1702.0240	3/8 - 16	1/2 - 13
TR1702.0241	3/8 - 24	1/2 - 13
TR1702.0250	7/16 - 14	9/16 - 12
TR1702.0251	7/16 - 20	9/16 - 12
TR1702.0260	1/2 - 13	5/8 - 11
TR1702.0261	1/2 - 20	5/8 - 11

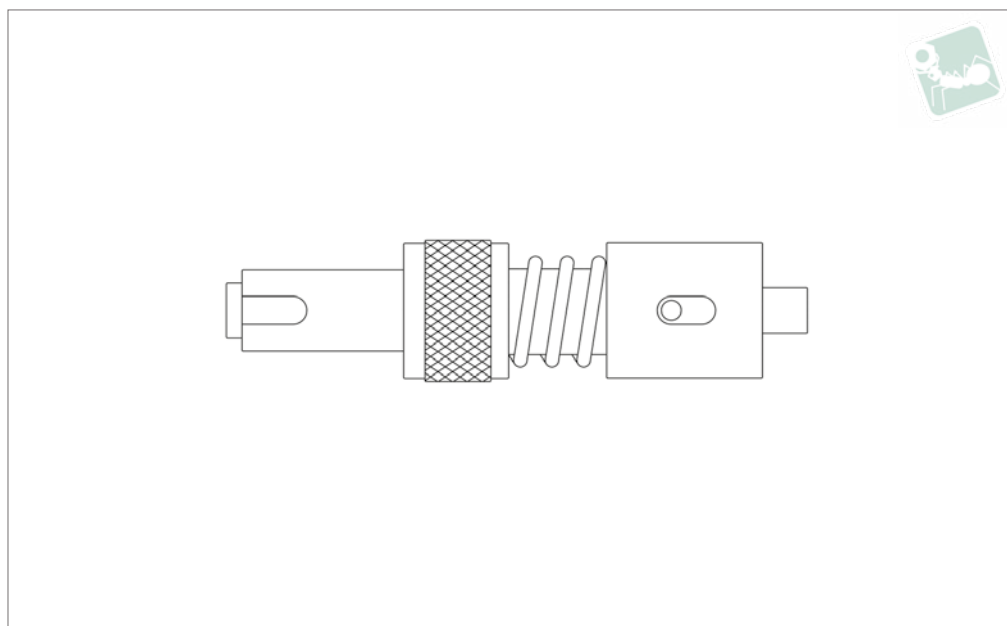


# Installation Tool

for inserts TR1654/55/64/65/75/76



Installation  
Tools



**TR1705**

INSTALLATION TOOLS

**Material**

Steel blackened.

**Tips**

For use with threaded inserts TR1654, TR1655, TR1664, TR1665, TR1675 and

TR1676.

Select installation tool of corresponding insert internal thread  $d_1$  AND external thread  $d_2$ .

If in doubt refer to data tables of insert

where correct "Inst. tool ref" is stated.

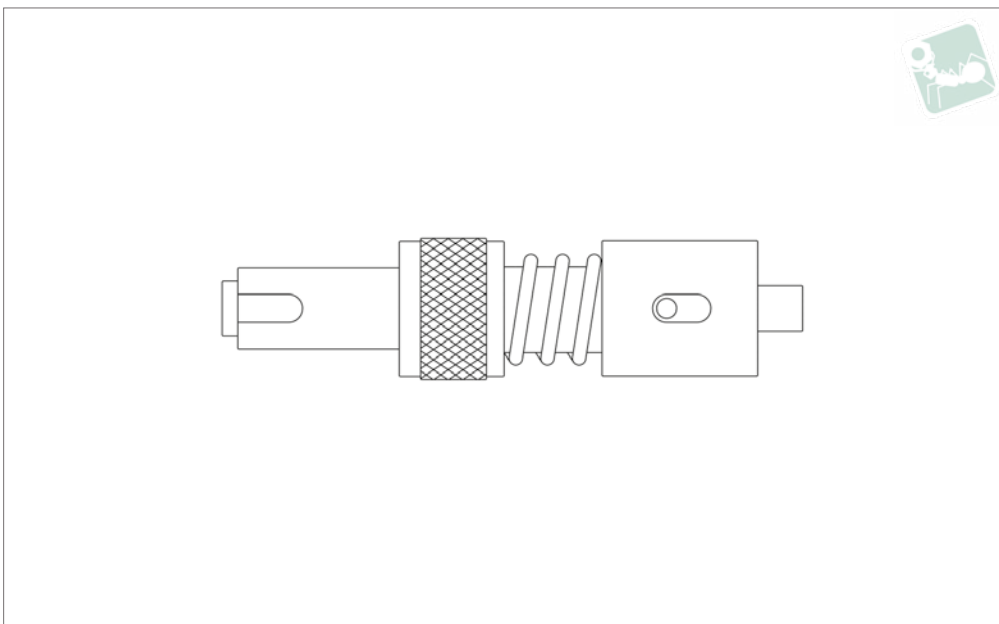
**Important Notes**

**All dimensions in imperial.**

Order No.	For insert of internal thread = $d_1$	For insert of external thread = $d_2$
TR1705.0000	8 - 32	5/16 - 18
TR1705.0010	10 - 24	3/8 - 16
TR1705.0011	10 - 32	3/8 - 16
TR1705.0020	1/4 - 20	7/16 - 14
TR1705.0021	1/4 - 28	7/16 - 14
TR1705.0030	5/16 - 18	1/2 - 13
TR1705.0031	5/16 - 24	1/2 - 13
TR1705.0040	3/8 - 16	9/16 - 12
TR1705.0041	3/8 - 24	9/16 - 12
TR1705.0050	7/16 - 14	5/8 - 11
TR1705.0051	7/16 - 20	5/8 - 11
TR1705.0060	1/2 - 13	11/16 - 11 NS
TR1705.0061	1/2 - 20	11/16 - 11 NS
TR1705.0070	9/16 - 14	13/16 - 16
TR1705.0071	9/16 - 20	13/16 - 16
TR1705.0080	5/8 - 11	7/8 - 14
TR1705.0081	5/8 - 18	7/8 - 14
TR1705.0090	3/4 - 10	1-1/8 - 12
TR1705.0091	3/4 - 16	1-1/8 - 12
TR1705.0100	7/8 - 9	1-1/4 - 12
TR1705.0101	7/8 - 14	1-1/4 - 12
TR1705.0110	1" - 8	1-3/8 - 12
TR1705.0111	1" - 12	1-3/8 - 12



## TR1706



### Material

Steel blackened.

### Tips

For use with threaded inserts TR1656, TR1657, TR1666 and TR1667.

Select installation tool of corresponding insert internal thread  $d_1$  AND external thread  $d_2$ .

If in doubt refer to data tables of insert where correct "Inst. tool ref" is stated.

### Important Notes

**All dimensions in imperial.**

Order No.	For insert of internal thread = $d_1$	For insert of external thread = $d_2$
TR1706.0330	10 - 24	7/16 - 14
TR1706.0331	10 - 32	7/16 - 14
TR1706.0340	1/4 - 20	1/2 - 13
TR1706.0341	1/4 - 28	1/2 - 13
TR1706.0350	5/16 - 18	9/16 - 12
TR1706.0351	5/16 - 24	9/16 - 12
TR1706.0360	3/8 - 16	5/8 - 11
TR1706.0361	3/8 - 24	5/8 - 11
TR1706.0370	7/16 - 14	11/16 - 11 NS
TR1706.0371	7/16 - 20	11/16 - 11 NS
TR1706.0380	1/2 - 13	13/16 - 16
TR1706.0381	1/2 - 20	13/16 - 16
TR1706.0390	9/16 - 12	7/8 - 14
TR1706.0391	9/16 - 18	7/8 - 14
TR1706.0400	5/8 - 11	1 - 12
TR1706.0401	5/8 - 18	1 - 12
TR1706.0410	3/4 - 10	1-1/4 - 12
TR1706.0411	3/4 - 16	1-1/4 - 12
TR1706.0420	7/8 - 9	1-3/8 - 12
TR1706.0421	7/8 - 14	1-3/8 - 12
TR1706.0430	1 - 8	1-1/2 - 12
TR1706.0431	1 - 12	1-1/2 - 12

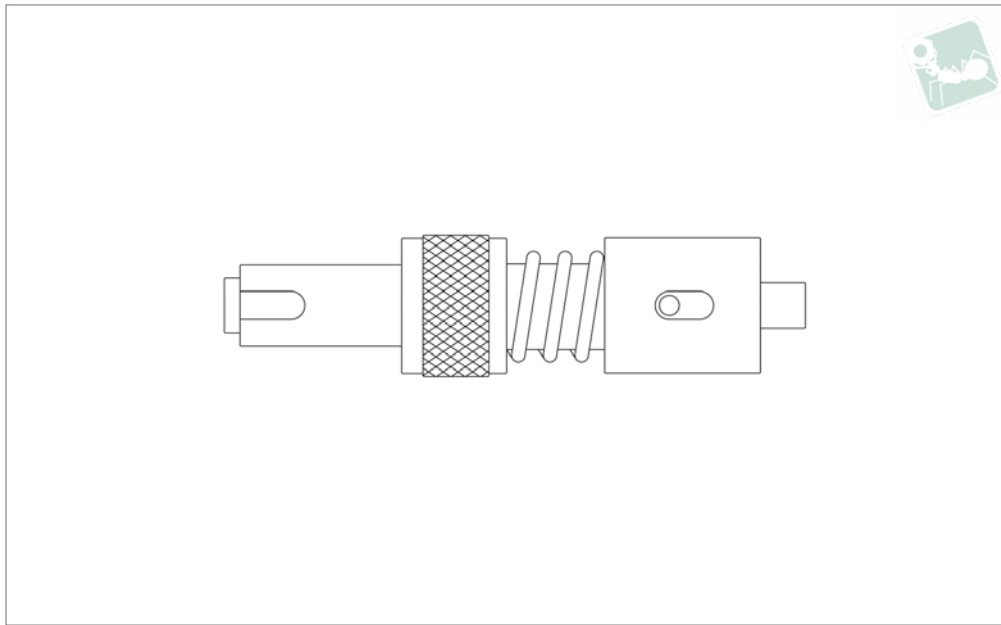


# Installation Tool

for inserts TR1600/01/06/07



Installation  
Tools



**TR1710**

INSTALLATION TOOLS

**Material**

Steel blackened.

TR1601, TR1606 and TR1607.

Select installation tool of corresponding insert internal thread  $d_1$  AND external thread  $d_2$ .

If in doubt refer to data tables of insert where correct "Inst. tool ref" is stated.

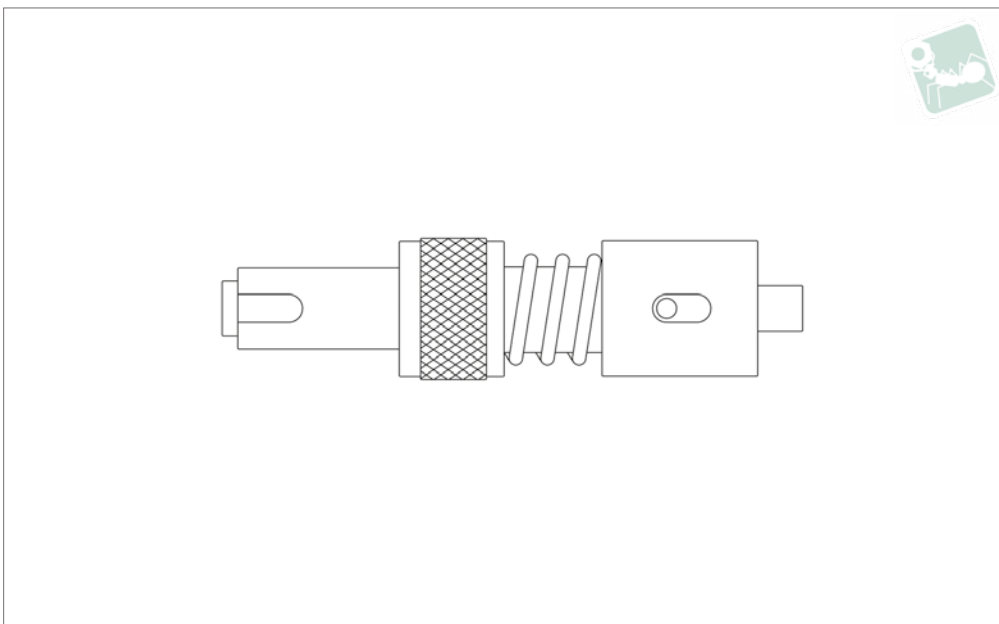
**Tips**

For use with threaded inserts TR1600,

Order No.	For insert of internal thread = $d_1$	For insert of external thread = $d_2$
TR1710.0820	M 2 x 0,4	M 4 x 0,7
TR1710.0830	M2,5 x 0,45	M 4,5 x 0,75
TR1710.0840	M 3 x 0,5	M 5 x 0,8
TR1710.0860	M 4 x 0,7	M 6 x 0,75



**TR1712**



**Material**

Steel blackened.

TR1603, TR1608 and TR1609.

Select installation tool of corresponding insert internal thread  $d_1$  AND external thread  $d_2$ .

If in doubt refer to data tables of insert where correct "Inst. tool ref" is stated.

**Tips**

For use with threaded inserts TR1602.

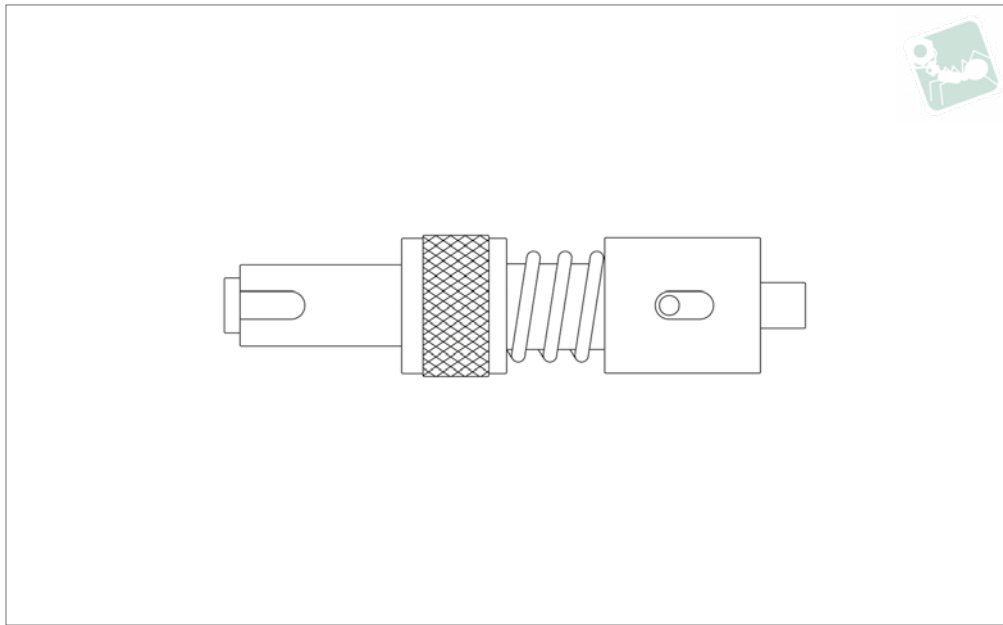
Order No.	For insert of internal thread = $d_1$	For insert of external thread = $d_2$
TR1712.0510	M 5 x 0,8/M 5 x 0,5	M 8 x 1,25
TR1712.0520	M 6 x 1,0/M 6 x 0,75	M10 x 1,25
TR1712.0530	M 8 x 1,25/M8 1,0	M 12 x 1,25
TR1712.0550	M10 x 1,5/M10 x 1,25	M14 x 1,5
TR1712.0560	M12 x 1,75/M 12 x 1,25	M16 x 1,5



# Installation Tool

for inserts TR1604/05/10/11

Installation  
Tools



**TR1715**

INSTALLATION TOOLS

### Material

Steel blackened.

TR1605, TR1610 and TR1611.

Select installation tool of corresponding insert internal thread  $d_1$  AND external thread  $d_2$ .

If in doubt refer to data tables of insert where correct "Inst. tool ref" is stated.

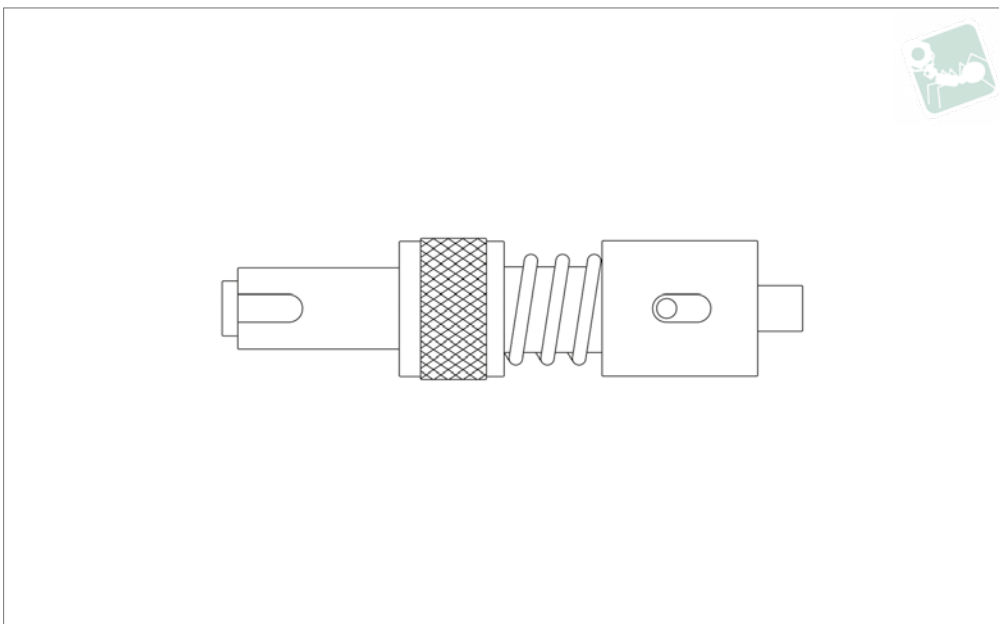
### Tips

For use with threaded inserts TR1604,

Order No.	For insert of internal thread = $d_1$	For insert of external thread = $d_2$
TR1715.0630	M 4 x 1,25	M 8 x 1,25
TR1715.0640	M 5 x 0,8	M 10 x 1,25
TR1715.0650	M 6 x 1,0	M 12 x 1,25
TR1715.0660	M 8 x 1,25/M8 x 1,0	M 14 x 1,5
TR1715.0670	M 10 x 1,5/M 10 x 1,25	M 16 x 1,5
TR1715.0690	M 12 x 1,75/M 12 x 1,25	M 18 x 1,5
TR1715.0700	M 14 x 2,0/M 14 x 1,5	M 20 x 1,5
TR1715.0710	M 16 x 2,0/M 16 x 1,5	M 22 x 1,
TR1715.0720	M 18 x 1,5	M 24 x 2,0
TR1715.0730	M 20 x 2,5/M 20 x 1,5	M 30 x 2,0
TR1715.0740	M 22 x 1,5	M 32 x 2,0
TR1715.0750	M24 x 3,0/M 24 x 2,0	M 33 x 2,0



**TR1720**



**Material**

Steel blackened.

**Tips**

For use with threaded insert TR1680 and TR1681.

Select installation tool of corresponding insert internal thread  $d_1$  AND external thread  $d_2$ .

If in doubt refer to data tables of insert where correct "Inst. tool ref" is stated.

**Important Notes**

**All dimensions in imperial.**

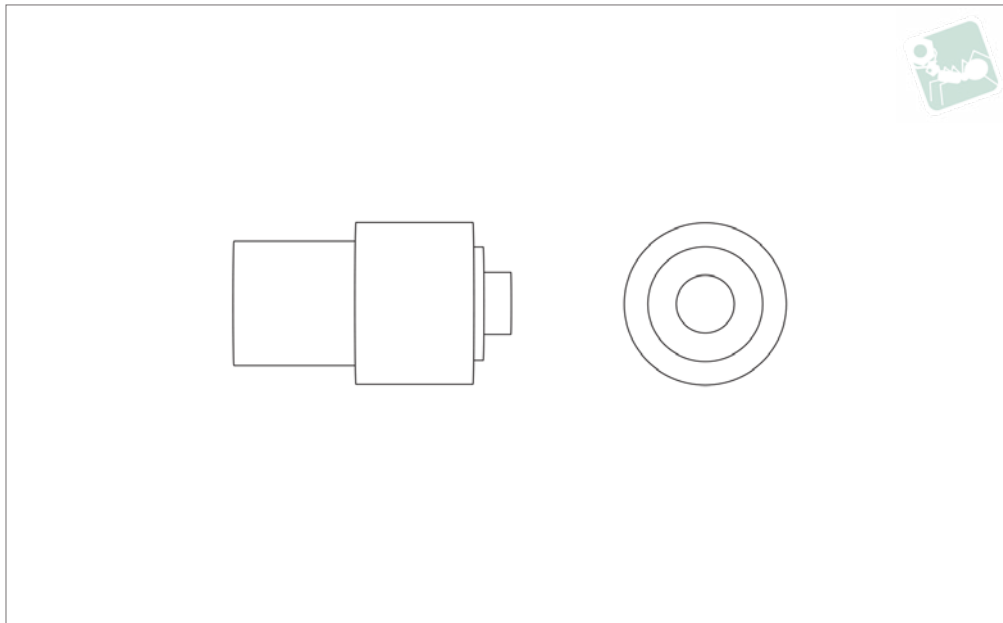
Order No.	For insert of internal thread = $d_1$	For insert of external thread = $d_2$
TR1720.0830	2 - 56	1/4 - 28†
TR1720.0840	4 - 40	5/16 - 24
TR1720.0850	6 - 32	3/8 - 24
TR1720.0860	8 - 32	3/8 - 24





# Installation Tool

for inserts TR1685 and TR1686



**TR1725**

INSTALLATION TOOLS

**Material**

Steel blackened.

**Tips**

For use with threaded insert TR1685 and TR1686.

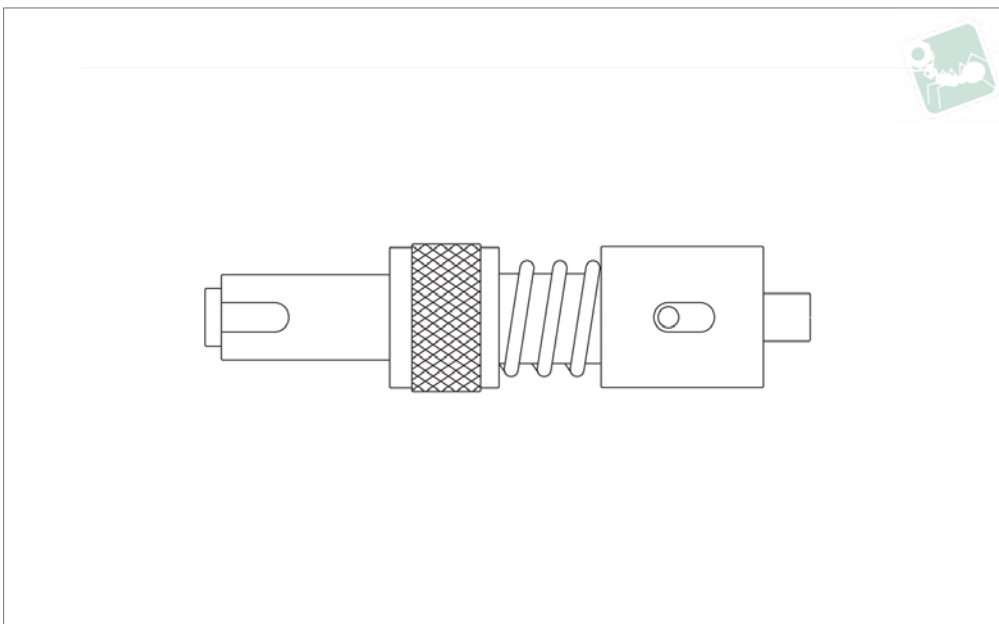
Select installation tool of corresponding insert internal thread  $d_1$  AND external thread  $d_2$ .  
If in doubt refer to data tables of insert where correct "Inst. tool ref" is stated.

**Important Notes**  
All dimensions in imperial.

Order No.	For insert of internal thread = $d_1$	For insert of external thread = $d_2$
TR1725.0010	10 - 24/ 10 - 32	7/16 - 20
TR1725.0020	1/4 - 20/ 1/4 - 28	1/2 - 20
TR1725.0030	5/16 - 18/ 5/16 - 24	5/8 - 18
TR1725.0040	3/8 - 16/ 3/8 - 24	3/4 - 16
TR1725.0050	7/16 - 14/ 7/16 - 20	7/8 - 14
TR1725.0060	1/2 - 13/ 1/2 - 20	1" - 12



**TR1730**



**Material**  
Steel, blackened.

**Tips**  
For use with inch solid inserts TR1698

**and TR1696.**  
Select installation tool of corresponding insert external thread  $d_1$ . If in doubt refer to data tables of insert where correct „Inst.

tool ref.“ is stated.

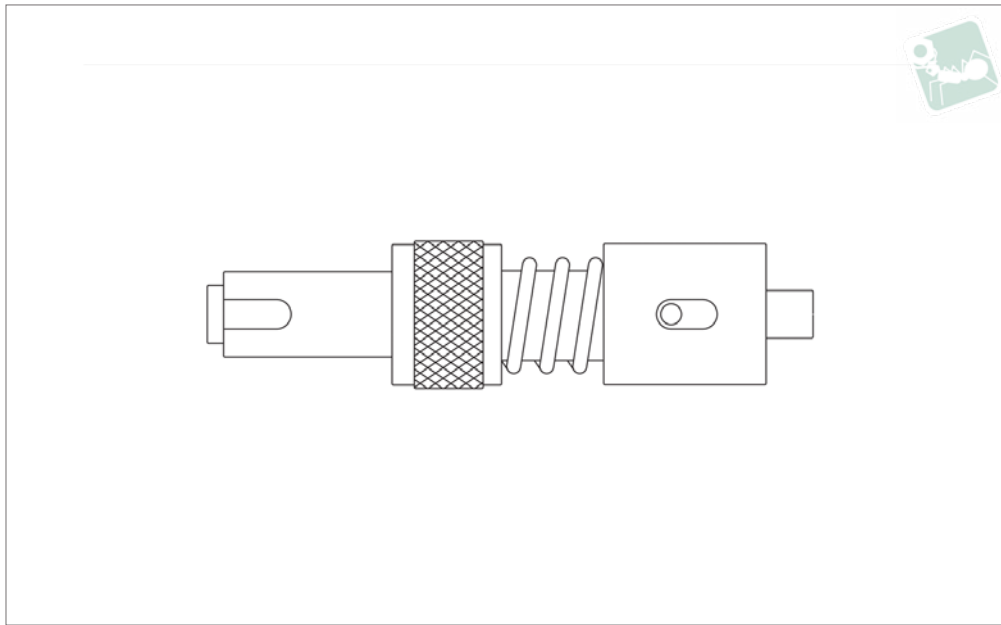
Order No.	For insert of external thread = $d_1$	Thread type $d_1$
TR1730.0010	5/16"-18	UNC
TR1730.0020	3/8"-16	UNC
TR1730.0030	7/16"-14	UNC
TR1730.0040	1/2"-13	UNC
TR1730.0050	9/16"-12	UNC
TR1730.0060	5/8"-11	UNC
TR1730.0065	11/16"-11NS	UNF
TR1730.0070	3/4"-16	UNF
TR1730.0075	13/16"-16	UNF
TR1730.0080	7/8"-14	UNF
TR1730.0090	1"-12	UNF
TR1730.0100	1-1/8"-12	UNF
TR1730.0110	1-1/4"-12	UNF
TR1730.0120	1-3/8"-12	UNF



# Installation Tool - Solid - Metric

for threaded inserts TR1692 & TR1690

Installation  
Tools



**TR1732**

INSTALLATION TOOLS

**Material**

Steel, blackened.

**Tips**

For use with metric solid inserts TR1692

**and TR1690.**

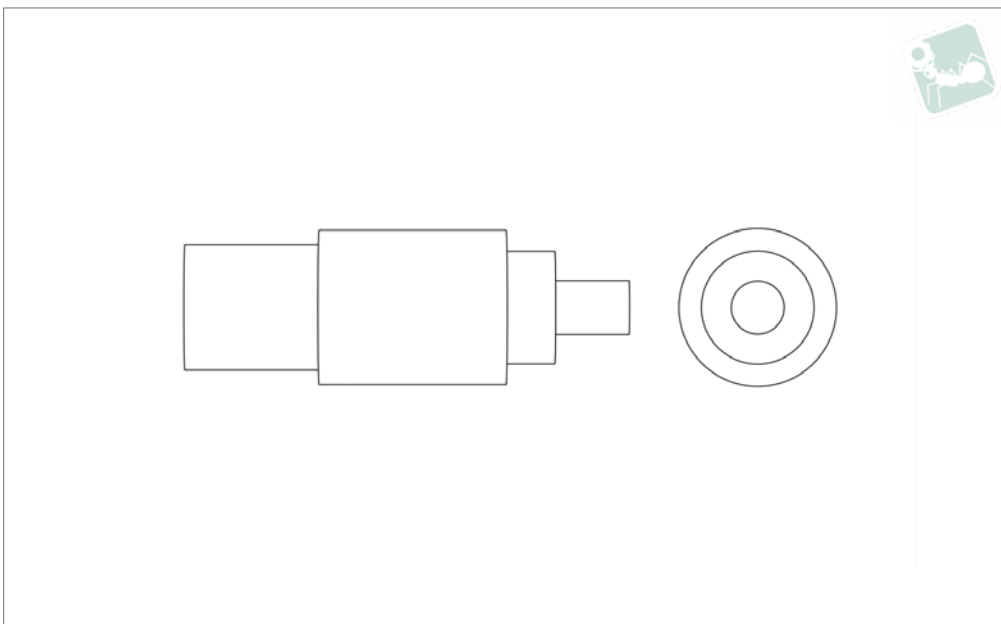
Select installation tool of corresponding insert external thread  $d_1$ . If in doubt refer to data tables of insert where correct „Inst.

tool ref.“ is stated.

Order No.	For insert of external thread = $d_1$	Thread type $d_1$
TR1732.0210	M 8x1,25	Coarse
TR1732.0220	M10x1,25	Fine
TR1732.0230	M12x1,25	Fine
TR1732.0240	M14x1,50	Fine
TR1732.0250	M16x1,50	Fine
TR1732.0260	M18x1,50	Fine
TR1732.0270	M20x1,50	Fine
TR1732.0280	M22x1,50	Fine
TR1732.0290	M24x1,50	Fine
TR1732.0300	M30x2,00	Non-Std
TR1732.0310	M32x2,00	Non-Std
TR1732.0320	M33x2,00	Non-Std



**TR1740**



**Material**  
Steel, blackened.

**Tips**  
For use with inch thinwall threaded

**inserts TR1560 and TR1570.** Select installation tool of corresponding insert internal thread  $d_1$  and external thread  $d_2$ . If in doubt refer to data tables of insert where

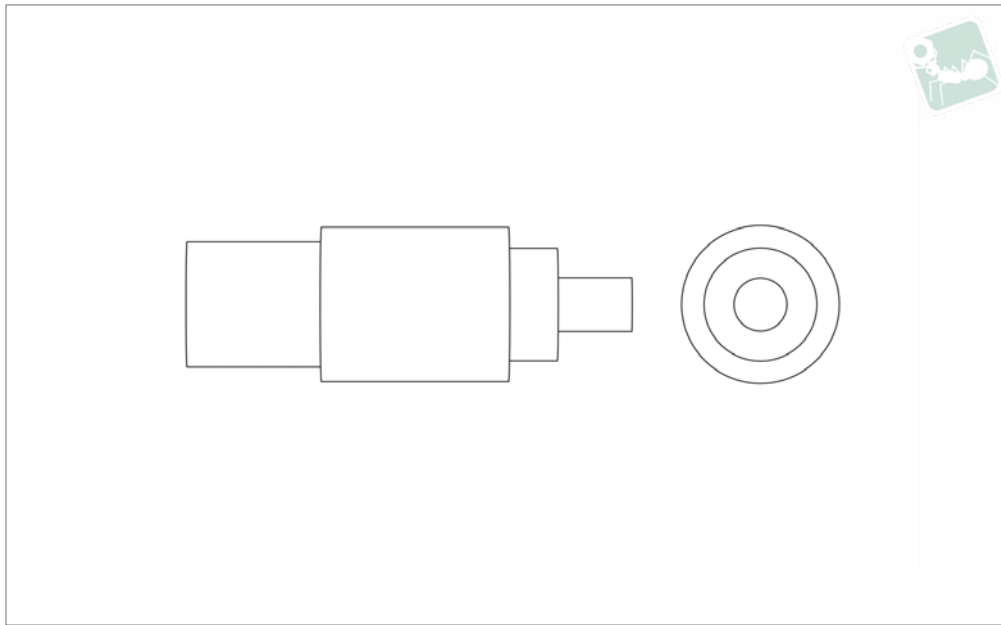
correct „Inst. tool ref.“ is stated.

Order No.	For insert of internal thread = $d_1$	For insert of external thread = $d_2$
TR1740.0210	10-24/10"-32	5/16"-18
TR1740.0220	1/4"-20 / 1/4"-28	3/8"-16
TR1740.0230	5/16"-18/ 5/16"-24	7/16"-14
TR1740.0240	3/8"-16/ 3/8"-24	1/2"-13
TR1740.0250	7/16"-14/ 7/16"-20	9/16"-12
TR1740.0260	1/2"-13/ 1/2"-20	5/8"-11



# Installation Tool - Inch - Heavy Duty

for threaded inserts TR1565 & TR1575



**TR1745**

INSTALLATION TOOLS

**Material**

Steel, blackened.

**inserts TR1565 and TR1575.**

Select installation tool of corresponding insert internal thread  $d_1$  and external thread  $d_2$ . If in doubt refer to data tables of

insert where correct „Inst. tool ref.“ is stated.

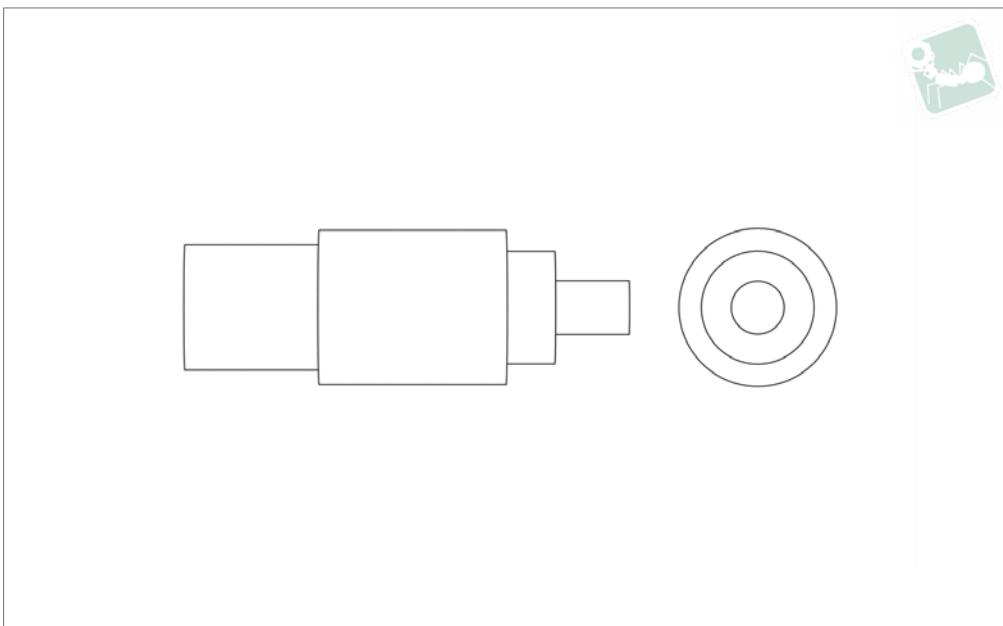
**Tips**

**For use with inch heavy duty threaded**

Order No.	For insert of internal thread = $d_1$	For insert of external thread = $d_2$
TR1745.0000	8-32	5/16"-18
TR1745.0010	10-24/ 10-32	3/8"-16
TR1745.0020	1/4"-20/ 1/4"-28	7/16"-14
TR1745.0030	5/16"-18/ 5/16"-24	1/2"-13
TR1745.0040	3/8"-16/ 3/8"-24	9/16"-12
TR1745.0050	7/16"-14/ 7/16"-20	5/8"-11
TR1745.0060	1/2"-13/ 1/2"-20	3/4"-16
TR1745.0070	9/16"-12/ 9/16"-18	3/4"-16
TR1745.0080	5/8"-11/ 5/8"-18	7/8"-14
TR1745.0090	3/4"-10/ 3/4"-16	1-1/8"-12
TR1745.0100	7/8"-9/ 7/8"-14	1-1/4"-12
TR1745.0110	1"-8/ 1"-12/ 1"-14	1-3/8"-12
TR1745.0130	1-1/8"-7/ 1-1/8"-12	1-1/2"-12
TR1745.0140	1-1/4"-7/ 1-1/4"-12	1-5/8"-12
TR1745.0160	1-1/2"-6/ 1-1/2"-12	1-7/8"-12



**TR1746**



**Material**

Steel, blackened.

**Tips**

For use with metric extra heavy duty

**threaded inserts TR1566 and TR1576.**

Select installation tool of corresponding insert internal thread  $d_1$  and external thread  $d_2$ . If in doubt refer to data tables of

solid insert where correct „Inst. tool ref.“ is stated.

Order No.	For insert of internal thread = $d_1$	For insert of external thread = $d_2$
TR1746.0310	6-32	5/16"-18
TR1746.0320	8-32	3/8"-16
TR1746.0330	10-24/ 10-32	7/16"-14
TR1746.0340	1/4"-20/ 1/4"-28	1/2"-13
TR1746.0350	5/16"-18/ 5/16"-24	9/16"-12
TR1746.0360	3/8"-16/ 3/8"-24	5/8"-11
TR1746.0370	7/16"-14/ 7/16"-20	3/4"-16
TR1746.0380	1/2"-13/ 1/2"-20	7/8"-14
TR1746.0390	9/16"-12/ 9/16"-18	7/8"-14
TR1746.0400	5/8"-11/ 5/8"-18	1"-12
TR1746.0410	3/4"-10/ 3/4"-16	1-1/4"-12
TR1746.0420	7/8"-9/ 7/8"-14	1-3/8"-12
TR1746.0430	1"-8/ 1"-12	1-1/2"-12

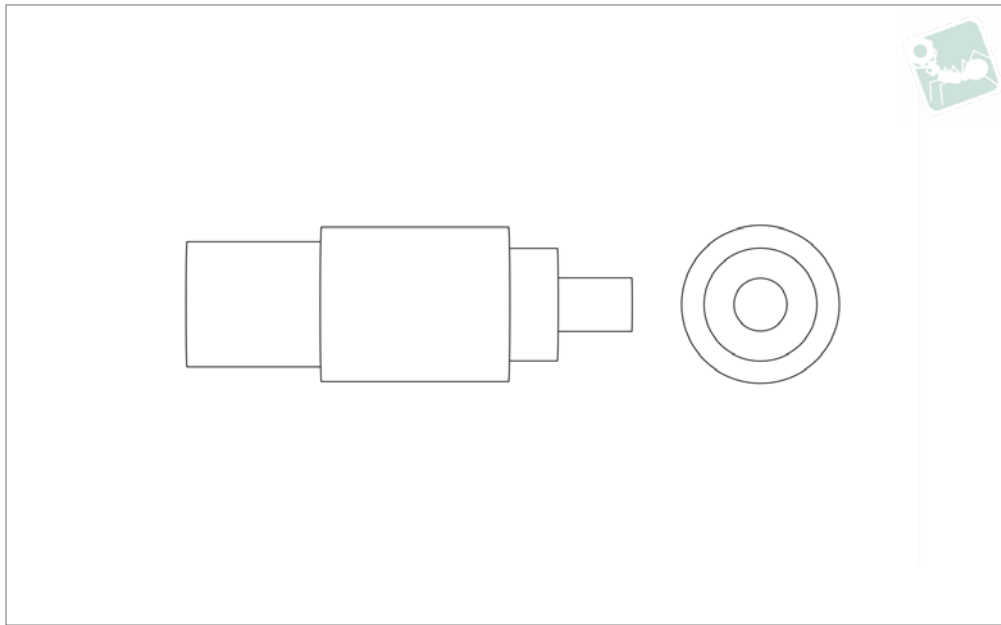


# Installation Tool - Metric - Thinwall

for threaded inserts TR1510 & TR1520



Installation  
Tools



**TR1750**

INSTALLATION TOOLS

**Material**

Steel, blackened.

**Tips**

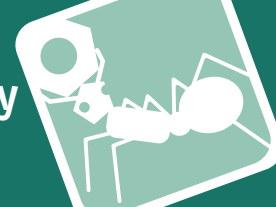
**For use with metric thinwall threaded**

**inserts TR1510 and TR1520.**

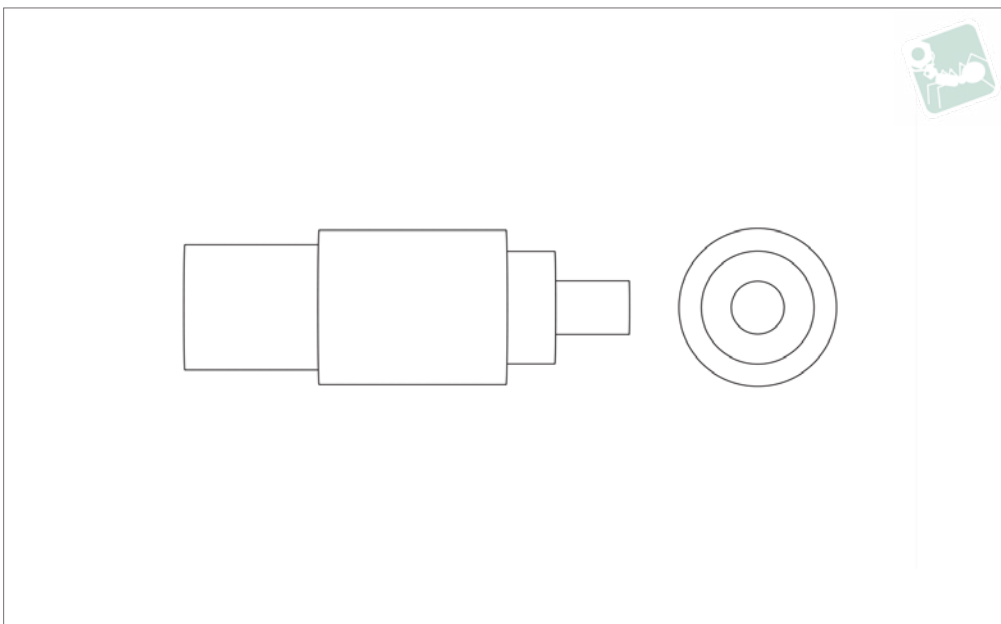
Select installation tool of corresponding insert internal thread  $d_1$  and external thread  $d_2$ . If in doubt refer to data tables of

insert where correct „Inst. tool ref.“ is stated.

Order No.	For insert of internal thread = $d_1$	For insert of external thread = $d_2$
TR1750.0510	M 5x0,75	M 8x1,25
TR1750.0520	M 6x1,00	M10x1,25
TR1750.0530	M 8x1,25/ M 8x1,00	M12x1,25
TR1750.0550	M10x1,50/ M10x1,25	M14x1,50
TR1750.0560	M12x1,75/ M12x1,25	M16x1,50



**TR1755**



**Material**  
Steel, blackened.

**Tips**  
For use with metric heavy duty threaded

**inserts TR1515 and TR1525.**  
Select installation tool of corresponding  
insert internal thread  $d_1$  and external  
thread  $d_2$ . If in doubt refer to data tables of

insert where correct „Inst. tool ref.“ is  
stated.

Order No.	For insert of internal thread = $d_1$	For insert of external thread = $d_2$
TR1755.0630	M 4x0,70	M 8x1,25
TR1755.0640	M 5x0,75	M10x1,30
TR1755.0650	M 6x1,00	M12x1,25
TR1755.0660	M 8x1,25/ M 8x1,00	M14x1,50
TR1755.0670	M10x1,50/ M10x1,25	M16x1,50
TR1755.0690	M12x1,75/ M12x1,25	M18x1,50
TR1755.0700	M14x2,00/ M14x1,50	M20x1,50
TR1755.0710	M16x2,00/ M16x1,50	M22x1,50
TR1755.0720	M18x1,50	M24x1,50
TR1755.0730	M20x2,50/ M20x1,50	M30x2,00
TR1755.0740	M22x1,50	M32x2,00
TR1755.0750	M24x3,00/ M24x2,00	M33x2,00



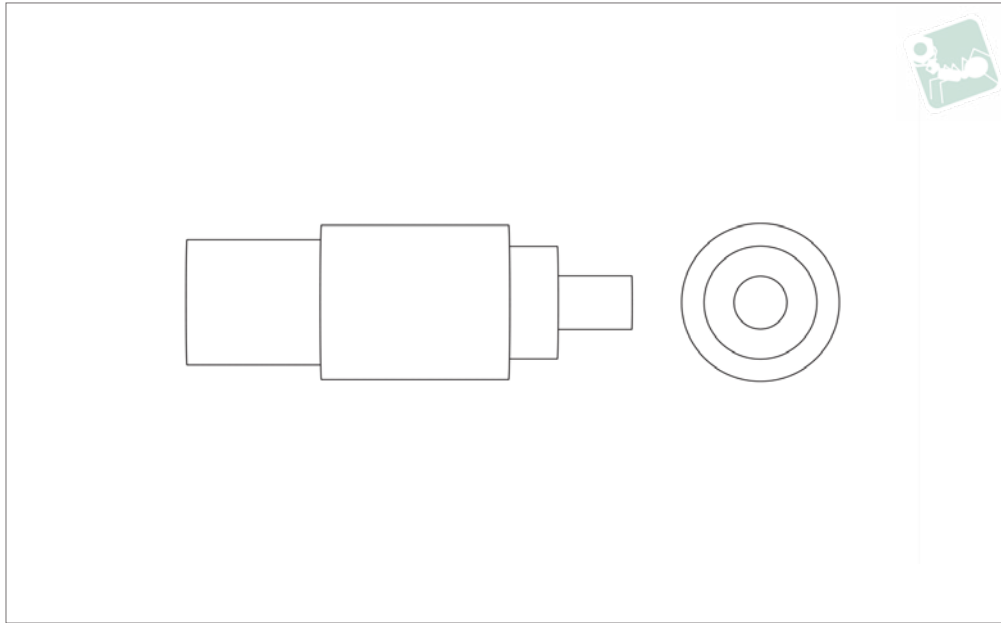


# Installation Tool - Inch - Heavy Duty

for threaded inserts TR1535 & TR1530



Installation  
Tools



**TR1760**

INSTALLATION TOOLS

**Material**

Steel, blackened.

**inserts TR1535 and TR1530.**

Select installation tool of corresponding insert internal thread  $d_1$  and external thread  $d_2$ . If in doubt refer to data tables of

insert where correct „Inst. tool ref.“ is stated.

**Tips**

**For use with inch heavy duty threaded**

Order No.	For insert of internal thread = $d_1$	For insert of external thread = $d_2$
TR1760.0430	M 6x1,00	3/8"-16
TR1760.0440	M 8x1,25	1/2"-13
TR1760.0450	M10x1,50	5/8"-11
TR1760.0470	M12x1,75	3/4"-16
TR1760.0480	M14x2,00	7/8"-14
TR1760.0490	M16x2,00	1"-12